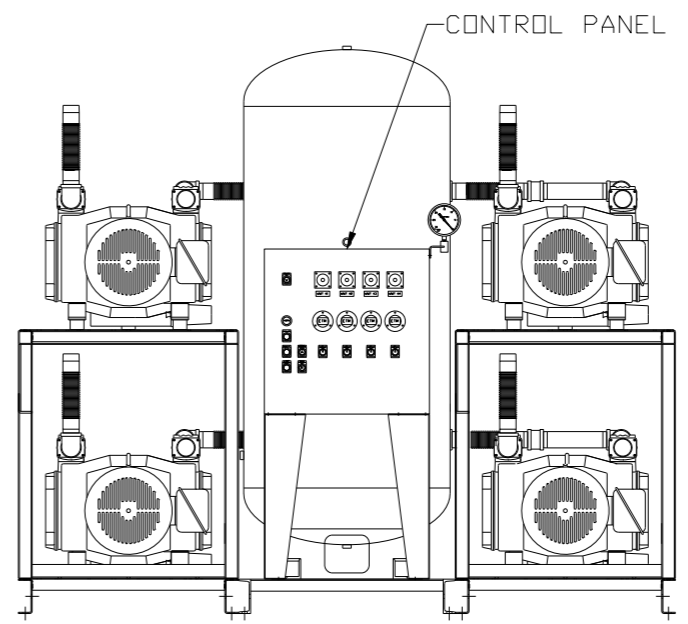
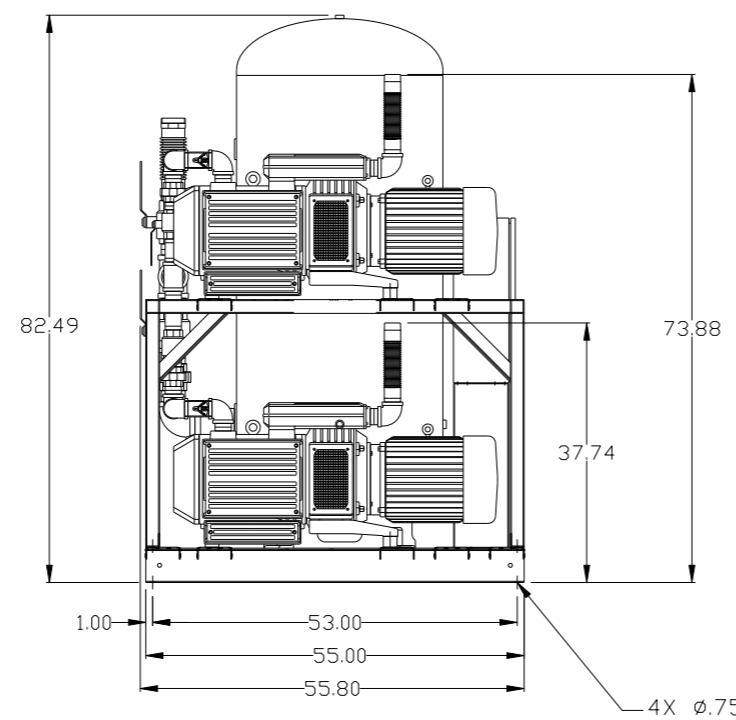
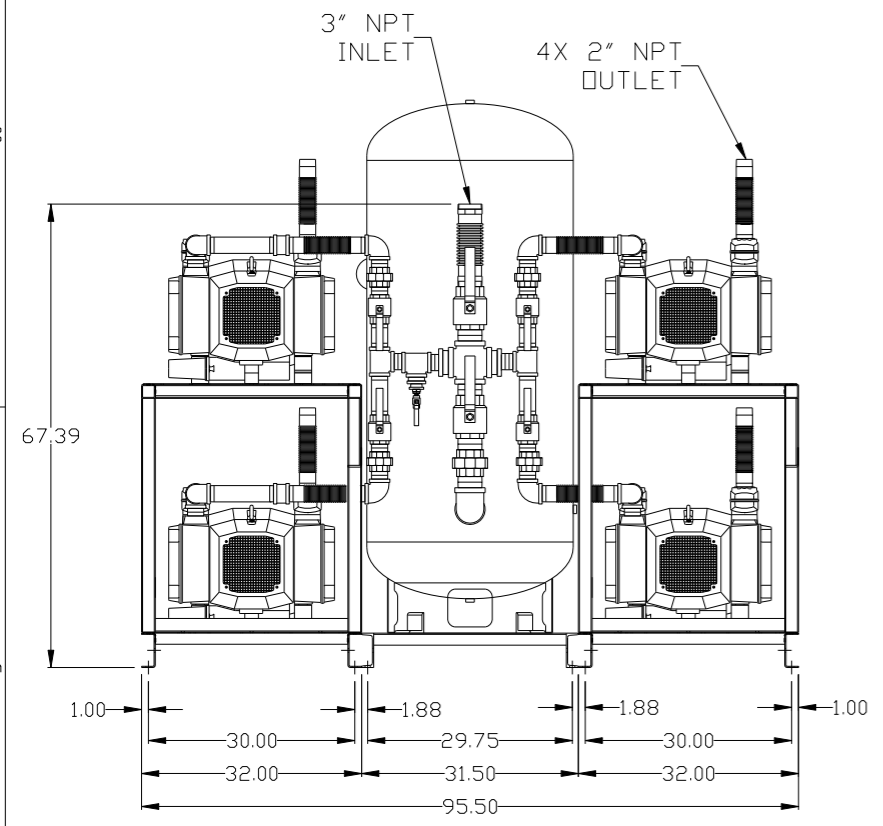
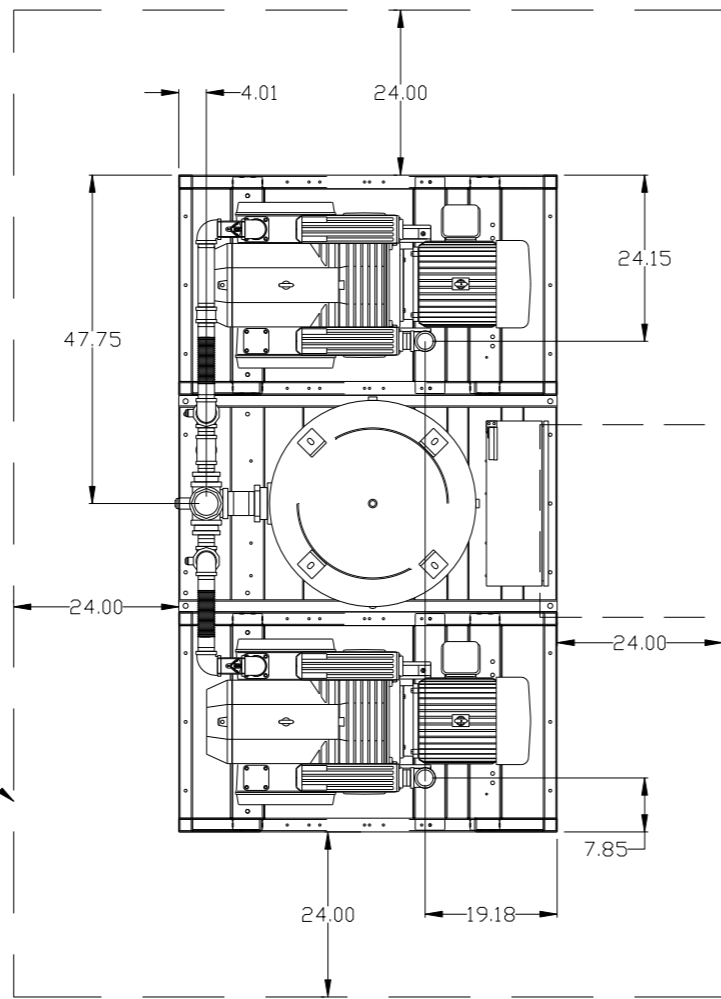


8 7 6 5 4 3 2 1

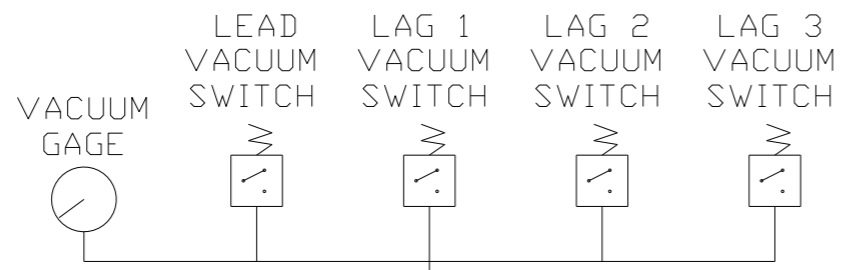
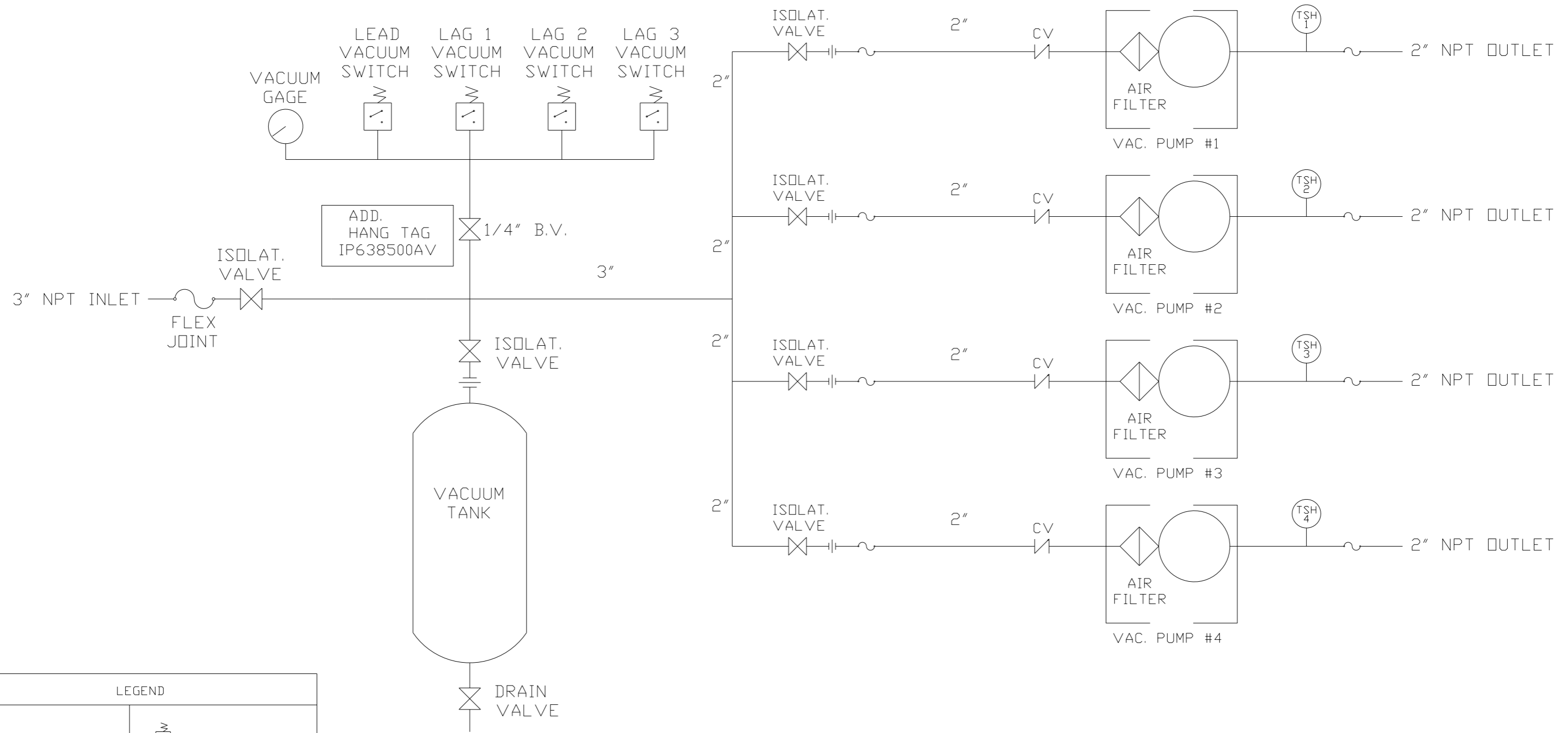
REV	ZONE	REVISION	DATE	ECN	NAME	CHKD
B-1	ALL	RELEASE TO PRODUCTION	9/9/08	21906	AEK	GES
C-1	1 ALL	REMOVED VACUUM SWITCHES FROM CONTROL PANEL	11/23/09	22127	AEK	GES



SYMBOL LEGEND		= ADDITIONAL CONTROL REQ'D		Drawings to conform to the current revision of the following ANSI standards	
⊖	MINUS DRAFT	⊕	PLUS DRAFT	⊖	BRINELL HARDNESS
TOLERANCES NOT SPECIFIED		AUTOCAD REL2008LT		DO NOT SCALE DRAWING FOR DIMENSIONS	
.XX	±	INCH		Sheet 1 of 2	SCALE 1:14
.XXX	±				
<Z< DEG	±				
CONFIDENTIAL DISCLOSURE: This drawing is the property of the CAMPBELL GROUP of the SCOTT FETZER COMPANY and subject to return on demand. Its contents are confidential and must not be copied or submitted to outside parties for use or examination.					
DRAWN BY		CHECKED BY		APPROVED BY	
AEK		GES		DMS JJ	
9/9/08		9/9/08		9/9/08 9/9/08	
MATERIAL		N/A		POWEREX	
PART NAME		10HP DILLESS VAC		150 PRODUCTION DRIVE, HARRISON, OHIO 45030 Ph: 888-769-7979 FAX: (513) 367-3125	
DWG NO		VQPQ1005		SIZE D	
				VQP1005BK.dwg	

8 7 6 5 4 3 2 1

REV	ZONE	REVISION	DATE	ECN	NAME	CHKD
B-1	ALL	RELEASE TO PRODUCTION	9/9/08	21906	AEK	GES
C-1	1 ALL	REMOVED VACUUM SWITCHES FROM CONTROL PANEL	11/23/09	22127	AEK	GES



ADD.
HANG TAG
IP638500AV

LEGEND

	TEMP. SWITCH		VACUUM SWITCH
	LOW OIL LEVEL SW.		CHECK VALVE
	AIR FILTER		FLEX LINE
	BALL VALVE		UNION
	SOLENOID VALVE		

NOTES

1.) TSH - TEMPERATURE SWITCH HIGH (OPTIONAL)

SYMBOL LEGEND			ADDITIONAL CONTROL REQ'D	Drawings to conform to the current revision of the following ANSI standards:	
	MINUS DRAFT		BRINELL HARDNESS	Y14.3 Multi and sectional view dsgs. Y14.5M Dimensioning and tolerancing	
TOLERANCES NOT SPECIFIED		AUTOCAD REL2008LT	DO NOT SCALE DRAWING FOR DIMENSIONS		
.XX ±		INCH	Sheet 2 of 2	SCALE 1:14	
CONFIDENTIAL DISCLOSURE: This drawing is the property of the CAMPBELL GROUP OF THE SCOTT FETZER COMPANY and subject to return on demand. Its contents are confidential and must not be copied or submitted to outside parties for use or examination.					
DRAWN BY	CHECKED BY	APPROVED BY	ENGINEERING	MFG/MRKTG	
AEK	GES	DMS	JJ		
DATE	DATE	DATE	DATE		
9/9/08	9/9/08	9/9/08	9/9/08		
MATERIAL		N/A			
PART NAME		DILLESS VACUUM			
QUADPLEX SCHEMATIC		DWG NO		SIZE	
		VOPQ1005		D	