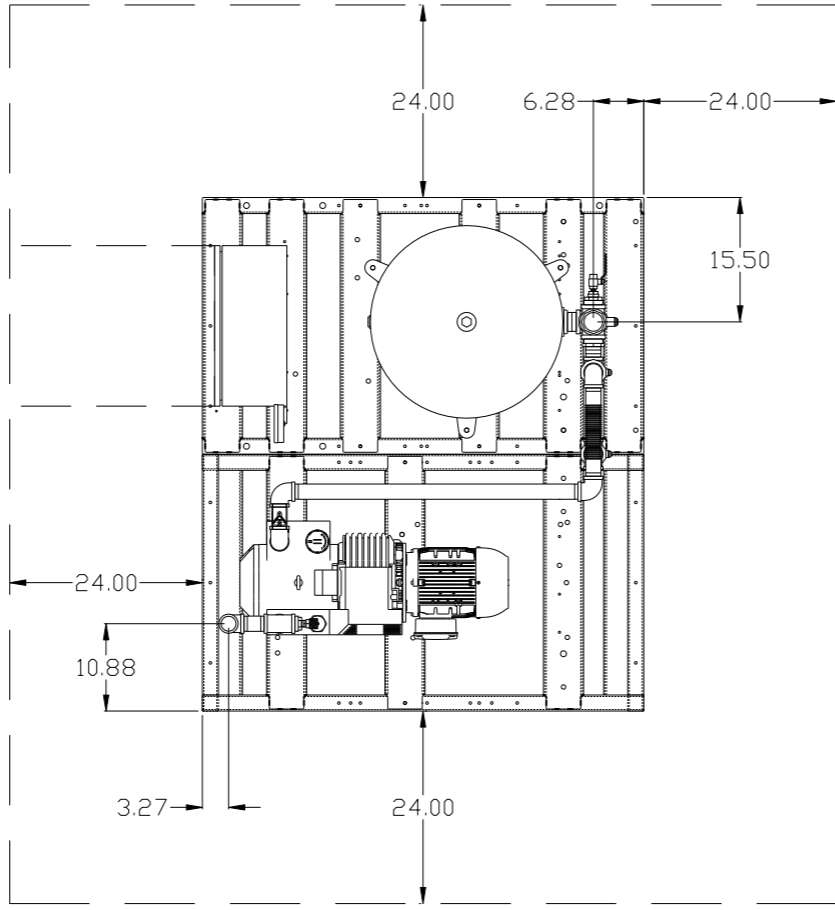
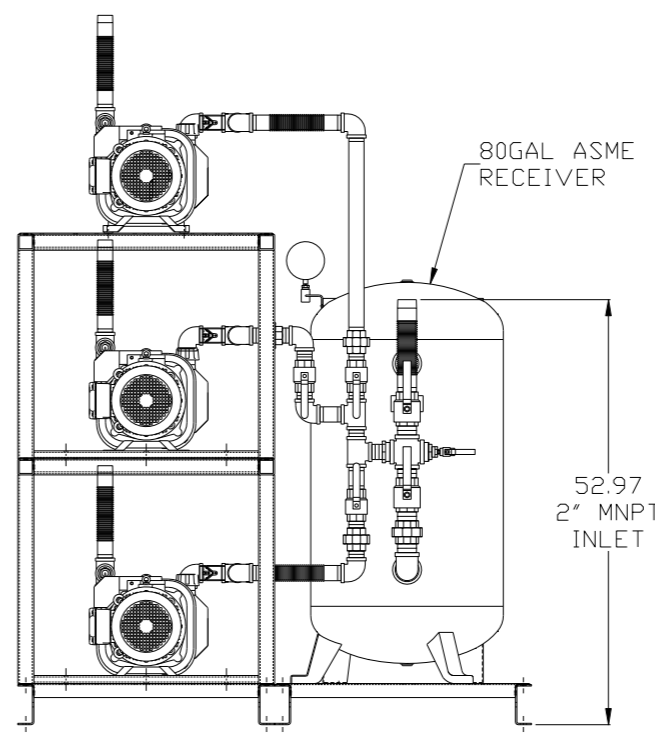
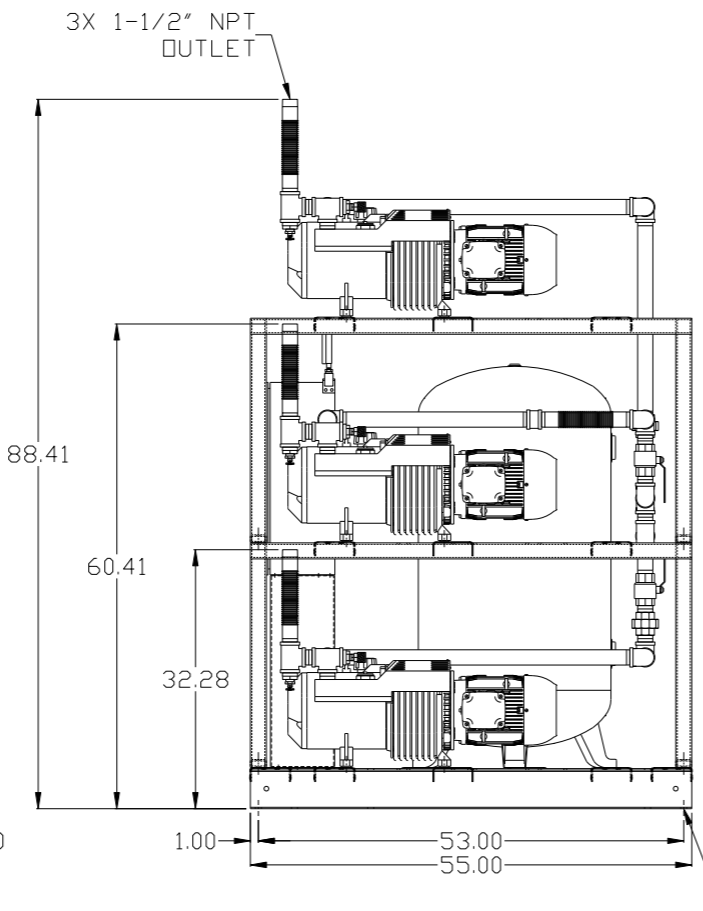
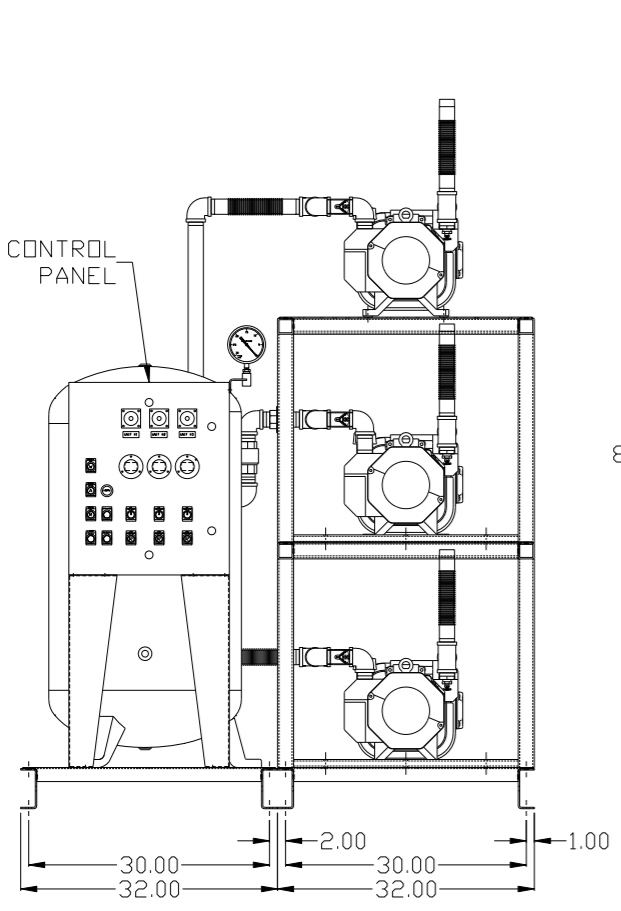


| REV | ZONE | REVISION | DATE | ECN | NAME | CHKD |
|-----|------|-----------------------|--------|---------|------|------|
| B-1 | ALL | RELEASE TO PRODUCTION | 2/5/18 | PKC0020 | AEK | GES |

MINIMUM RECOMMENDED ELECTRICAL CLEARANCE PER OSHA/NEC REQUIREMENTS



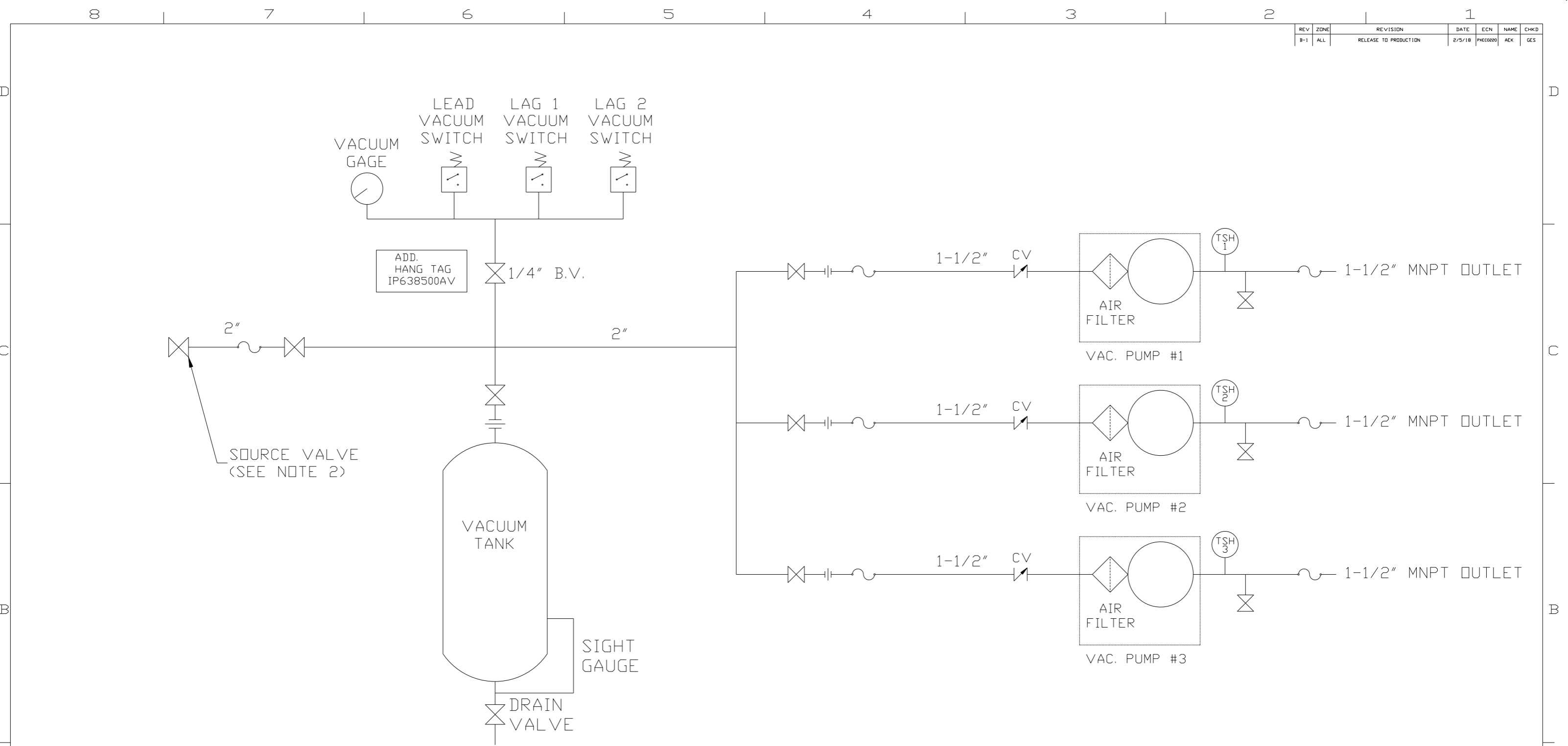
MINIMUM RECOMMENDED MAINTENANCE CLEARANCE



NOTE: SYSTEM DESIGNED IN COMPLIANCE WITH U.S. NFPA '99, LATEST EDITION.

| | | | |
|---|--|---|--|
| SYMBOL LEGEND ⊖ = MINUS DRAFT ⊕ = PLUS DRAFT ∅ = ADDITIONAL CONTROL REQ'D HRC = BRINELL HARDNESS | | Drawings to conform to the current revision of the following ANSI standards: Y14.3 Multi and sectional view dsgs. Y14.5M Dimensioning and tolerancing | |
| TOLERANCES NOT SPECIFIED .XX ± .XXX ± \angle (DEG) ± | | AUTOCAD REL2014 LT INCH DO NOT SCALE DRAWING FOR DIMENSIONS Sheet 1 of 2 SCALE 1:12 | |
| CONFIDENTIAL DISCLOSURE This drawing is the property of POWEREX, INC. of the SCOTT FELTZER COMPANY and subject to return on demand. Its contents are confidential and must not be copied or submitted to outside parties for use or examination. | | | |
| DRAWN BY AEK | | CHECKED BY GES | |
| APPROVED BY KMD | | MFG/MKTG JM | |
| MATERIAL N/A | | DATE 2/5/18 | |
| PART NAME SHP OILLESS VACUUM TRIPLEX 80GAL | | DWG NO VOPT0503 | |
| SIZE D | | DATE 2/5/18 | |

| REV | ZONE | REVISION | DATE | ECN | NAME | CHKD |
|-----|------|-----------------------|--------|--------|------|------|
| B-1 | ALL | RELEASE TO PRODUCTION | 2/5/18 | PKC020 | AEK | GES |



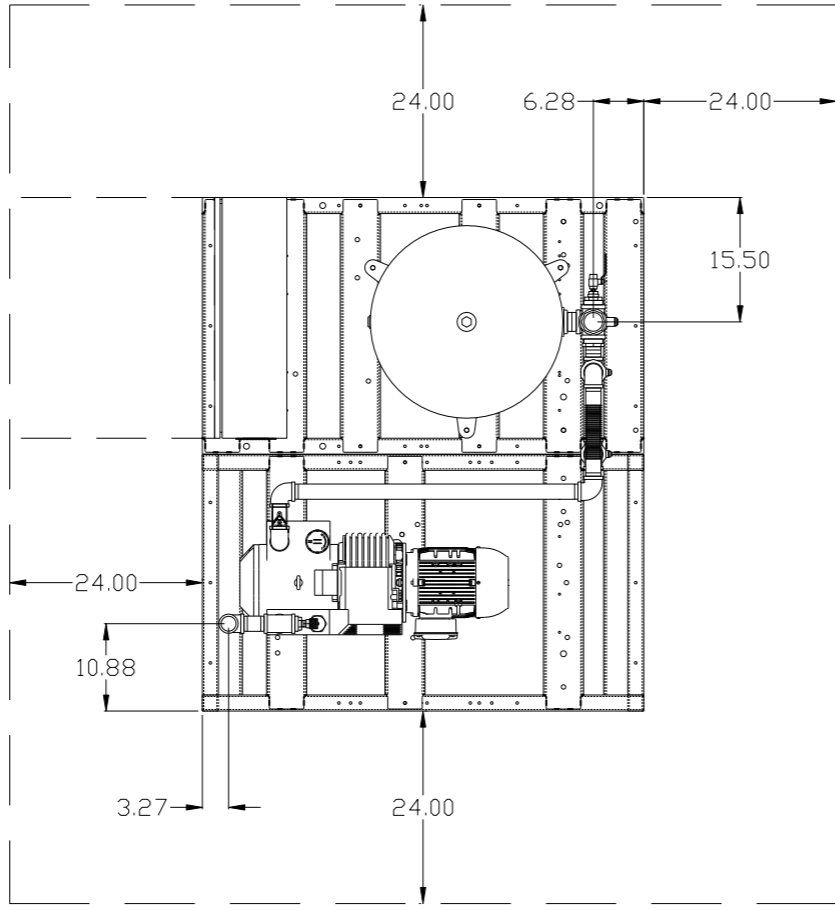
| LEGEND | |
|--------|---------------|
| | TEMP. SWITCH |
| | VACUUM SWITCH |
| | AIR FILTER |
| | BALL VALVE |
| | CHECK VALVE |
| | FLEX LINE |
| | UNION |

NOTES:
 1) TSH - TEMPERATURE SWITCH HIGH
 2) PER NFPA THE SYSTEM WILL REQUIRE A SOURCE VALVE (SUPPLIED BY OTHERS).

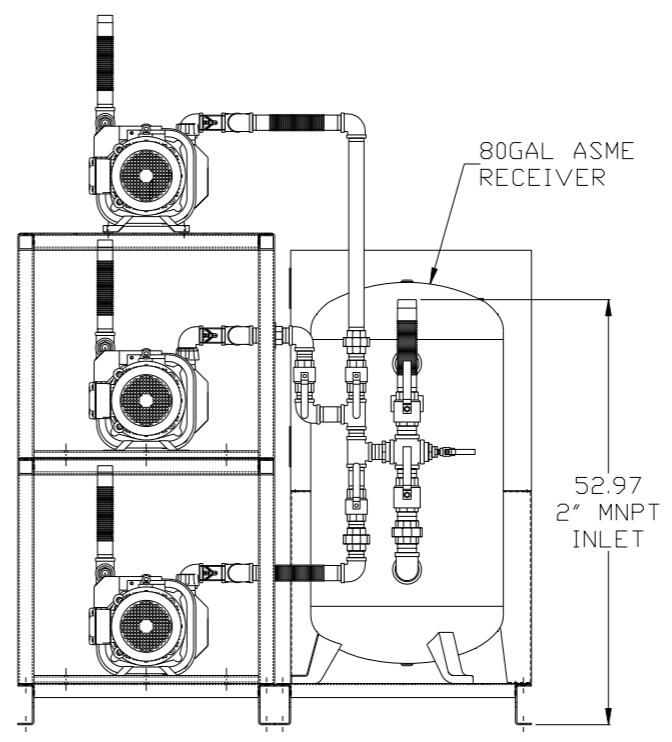
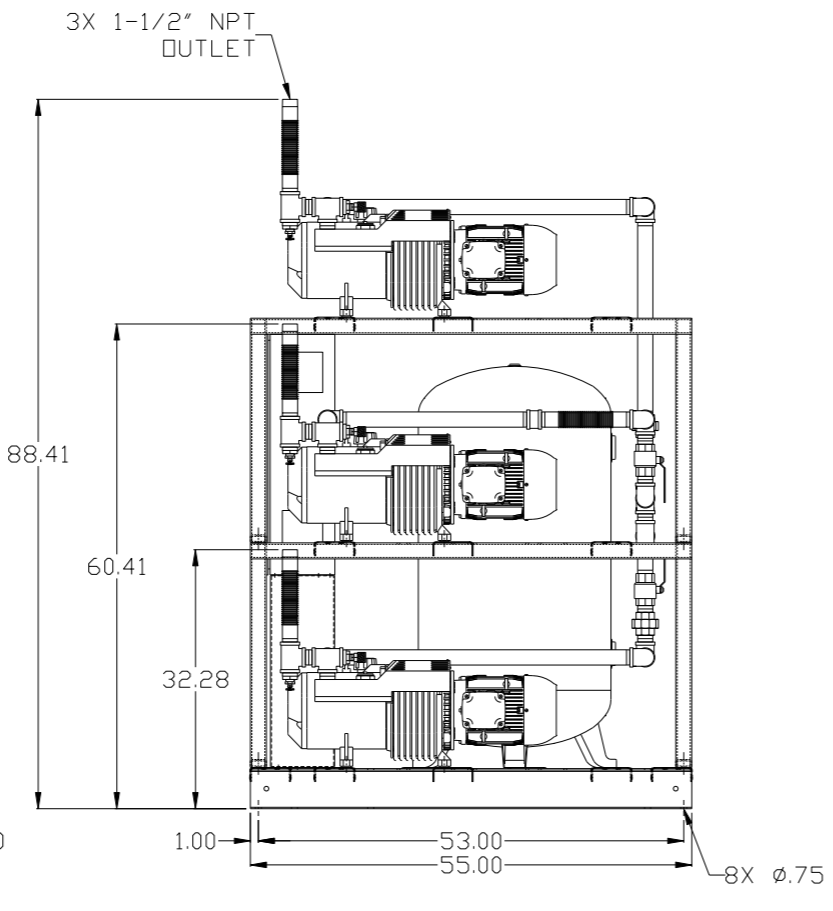
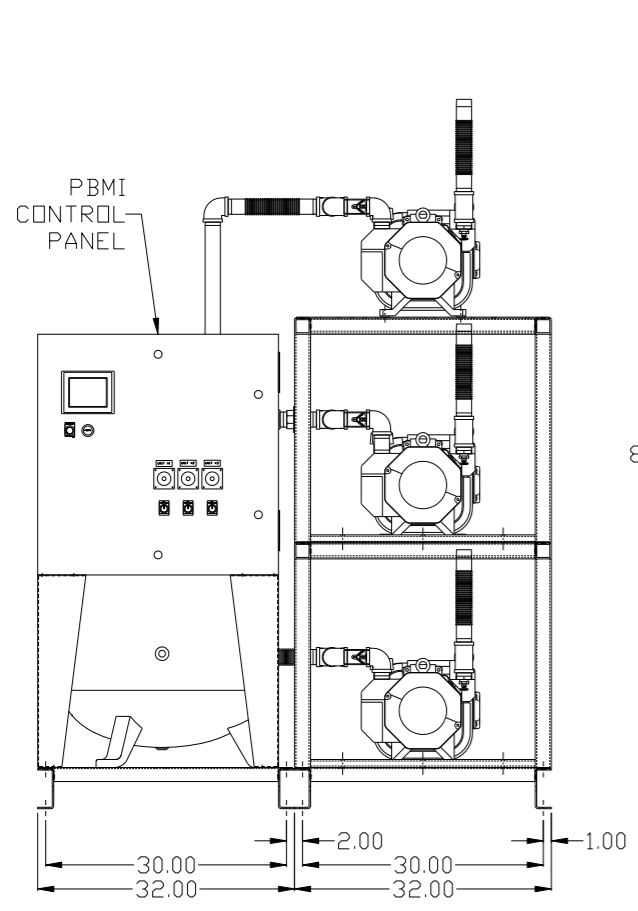
| | | | | |
|--|-------------|--|-------------------------------------|--|
| SYMBOL LEGEND | | | ADDITIONAL CONTROL REQ'D | Drawings to conform to the current revision of the following ANSI standards: Y14.3 Multi and sectional view dgs. Y14.5M Dimensioning and tolerancing |
| | MINUS DRAFT | | BRINELL HARDNESS | |
| TOLERANCES NOT SPECIFIED | | AUTOCAD REL2014 LT | DO NOT SCALE DRAWING FOR DIMENSIONS | |
| .XX ± | | INCH | Sheet 2 of 2 | SCALE 1:12 |
| CONFIDENTIAL DISCLOSURE This drawing is the property of POWEREX, INC. of the SCOTT FETZER COMPANY and subject to return on demand. Its contents are confidential and must not be copied or submitted to outside parties for use or examination. | | | | |
| DRAWN BY | CHECKED BY | APPROVED BY | ENGINEERING | MFG/MRKTG |
| AEK | GES | KMD | JM | |
| 2/5/18 | 2/5/18 | 2/5/18 | 2/5/18 | 2/5/18 |
| MATERIAL N/A | | | | |
| PART NAME | | 150 PRODUCTION DRIVE, HARRISON, OHIO 45030 Ph: 888-769-7979 FAX: (513) 367-3125 | | |
| DILLESS VACUUM FLOW SCHEMATIC | | DWG NO | VOPT0503 | SIZE D |

| REV | ZONE | REVISION | DATE | ECN | NAME | CHKD |
|-----|------|-----------------------|--------|---------|------|------|
| B-1 | ALL | RELEASE TO PRODUCTION | 2/5/18 | PKC0020 | AEK | GES |

MINIMUM RECOMMENDED ELECTRICAL CLEARANCE PER OSHA/NEC REQUIREMENTS



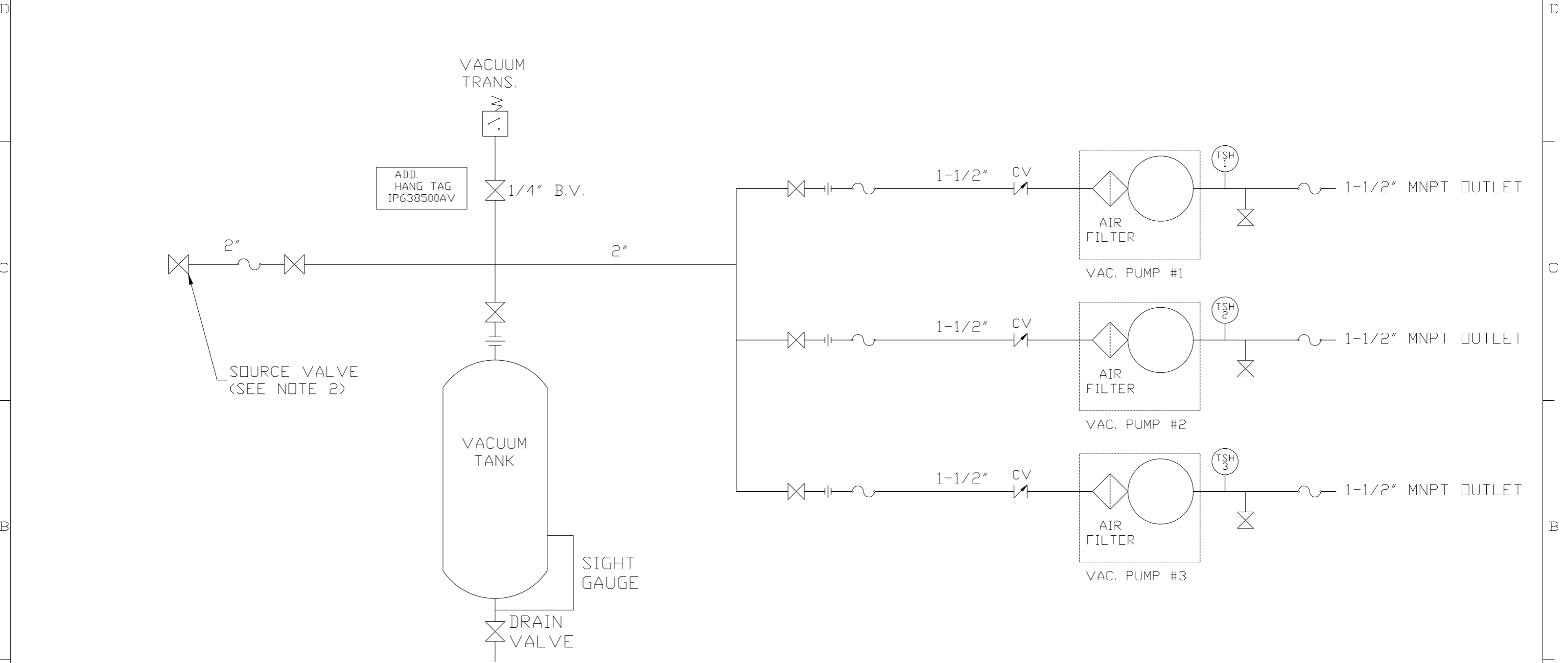
MINIMUM RECOMMENDED MAINTENANCE CLEARANCE



NOTE: SYSTEM DESIGNED IN COMPLIANCE WITH U.S. NFPA '99, LATEST EDITION.

| | | | | |
|---|--|--|--|---|
| SYMBOL LEGEND ⊖ = MINUS DRAFT ⊕ = PLUS DRAFT ⊕ = BRINELL HARDNESS | | = ADDITIONAL CONTROL REQ'D = BRINELL HARDNESS | | Drawings to conform to the current revision of the following ANSI standards: Y14.3 Multi and sectional view dsgs. Y14.5M Dimensioning and tolerancing |
| TOLERANCES NOT SPECIFIED .XX ± .XXX ± \angle (DEG) ± | | AUTOCAD REL2014 LT INCH | | DO NOT SCALE DRAWING FOR DIMENSIONS Sheet 1 of 2 SCALE 1:12 |
| CONFIDENTIAL DISCLOSURE This drawing is the property of POWEREX, INC. of the SCOTT FELTZER COMPANY and subject to return on demand. Its contents are confidential and must not be copied or submitted to outside parties for use or examination. | | | | |
| DRAWN BY AEK | | CHECKED BY GES | | APPROVED BY ENGINEERING MFG/MKTG KMD JM |
| MATERIAL N/A | | DATE 2/5/18 | | DATE 2/5/18 |
| PART NAME SHP OILLESS VACUUM TRIPLEX 80GAL | | DWG NO VOPT0503 | | SIZE D |

| REV | ZONE | REVISION | DATE | ECN | NAME | CHKD |
|-----|------|-----------------------|--------|---------|------|------|
| B-1 | ALL | RELEASE TO PRODUCTION | 2/5/18 | PKC0020 | AEK | GES |



| LEGEND | |
|--------|---------------|
| | TEMP. SWITCH |
| | VACUUM SWITCH |
| | AIR FILTER |
| | BALL VALVE |
| | CHECK VALVE |
| | FLEX LINE |
| | UNION |

NOTES:
 1) TSH - TEMPERATURE SWITCH HIGH
 2) PER NFPA THE SYSTEM WILL REQUIRE A SOURCE VALVE (SUPPLIED BY OTHERS).

| | | | | | |
|--|------------|-------------------------------|-------------|---|--|
| SYMBOL LEGEND | | = ADDITIONAL CONTROL REQ'D | | Drawings to conform to the current revision of the following ANSI standards | |
| = MINUS DRAFT | | = BRINELL HARDNESS | | Y14.3 Multi and sectional view dgs. Y14.5M Dimensioning and tolerancing | |
| TOLERANCES NOT SPECIFIED | | AUTOCAD REL2014 LT | | DO NOT SCALE DRAWING FOR DIMENSIONS | |
| .XX ± | | INCH | | Sheet 2 of 2 | |
| .XXX ± | | | | SCALE 1:12 | |
| <DEG> ± | | | | | |
| CONFIDENTIAL DISCLOSURE This drawing is the property of POWEREX, INC. of the SCOTT FETZER COMPANY and subject to return on demand. Its contents are confidential and must not be copied or submitted to outside parties for use or examination. | | | | | |
| DRAWN BY | CHECKED BY | APPROVED BY | ENGINEERING | MFG/MKTG | |
| AEK | GES | KMD | JM | | |
| 2/5/18 | 2/5/18 | 2/5/18 | 2/5/18 | | |
| MATERIAL | | N/A | | | |
| PART NAME | | DILLESS VACUUM FLOW SCHEMATIC | | | |
| DWG NO | | VOPT0503 | | SIZE D | |