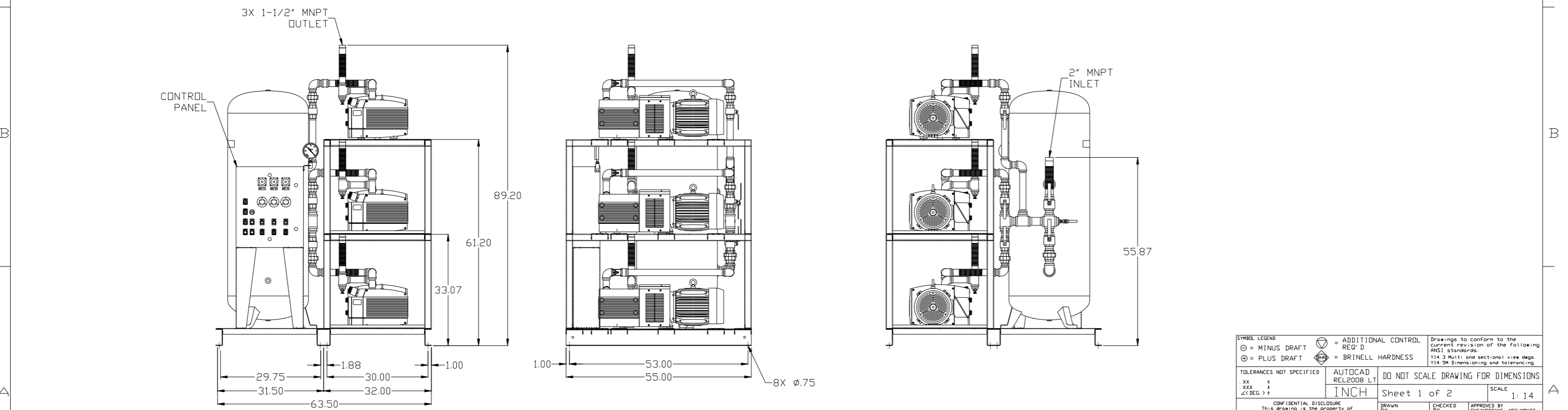
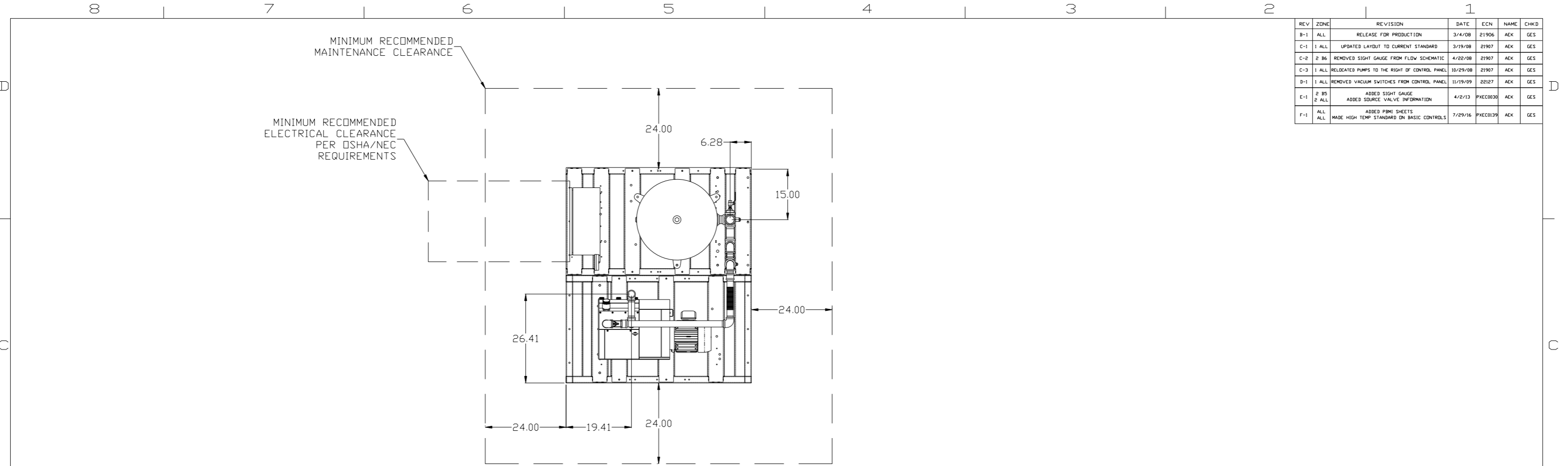


REV	ZONE	REVISION	DATE	ECN	NAME	CHKD
B-1	ALL	RELEASE FOR PRODUCTION	3/4/08	21906	AEK	GES
C-1	1 ALL	UPDATED LAYOUT TO CURRENT STANDARD	3/19/08	21907	AEK	GES
C-2	2 B6	REMOVED SIGHT GAUGE FROM FLOW SCHEMATIC	4/22/08	21907	AEK	GES
C-3	1 ALL	RELOCATED PUMPS TO THE RIGHT OF CONTROL PANEL	10/29/08	21907	AEK	GES
D-1	1 ALL	REMOVED VACUUM SWITCHES FROM CONTROL PANEL	11/19/09	22127	AEK	GES
E-1	2 B5	ADDED SIGHT GAUGE	4/2/13	PXEC0030	AEK	GES
E-1	2 ALL	ADDED SOURCE VALVE INFORMATION				
F-1	ALL	ADDED P&ID SHEETS	7/29/16	PXEC0139	AEK	GES
F-1	ALL	MADE HIGH TEMP STANDARD DN BASIC CONTROLS				



SYMBOL LEGEND

⊖ = MINUS DRAFT ⊕ = PLUS DRAFT ⊕ = ADDITIONAL CONTROL REQ'D ⊕ = BRINELL HARDNESS

TOLERANCES NOT SPECIFIED: .XX ±, .XXX ±, \angle (DEG) ±

AUTOCAD REL2008 LT

DO NOT SCALE DRAWING FOR DIMENSIONS

Sheet 1 of 2 SCALE 1:14

CONFIDENTIAL DISCLOSURE
This drawing is the property of POWEREX, INC. of the SCOTT FELTZER COMPANY and subject to return on demand. Its contents are confidential and must not be copied or submitted to outside parties for use or examination.

DRAWN BY	CHECKED BY	APPROVED BY	ENGINEERING	MFG/MKTG
AEK	GES	DMS	RJR	
3/4/08	3/4/08	3/4/08	3/4/08	

MATERIAL: N/A

PART NAME: 7.5 HP DILLESS VAC 120 GAL TRIPLEX

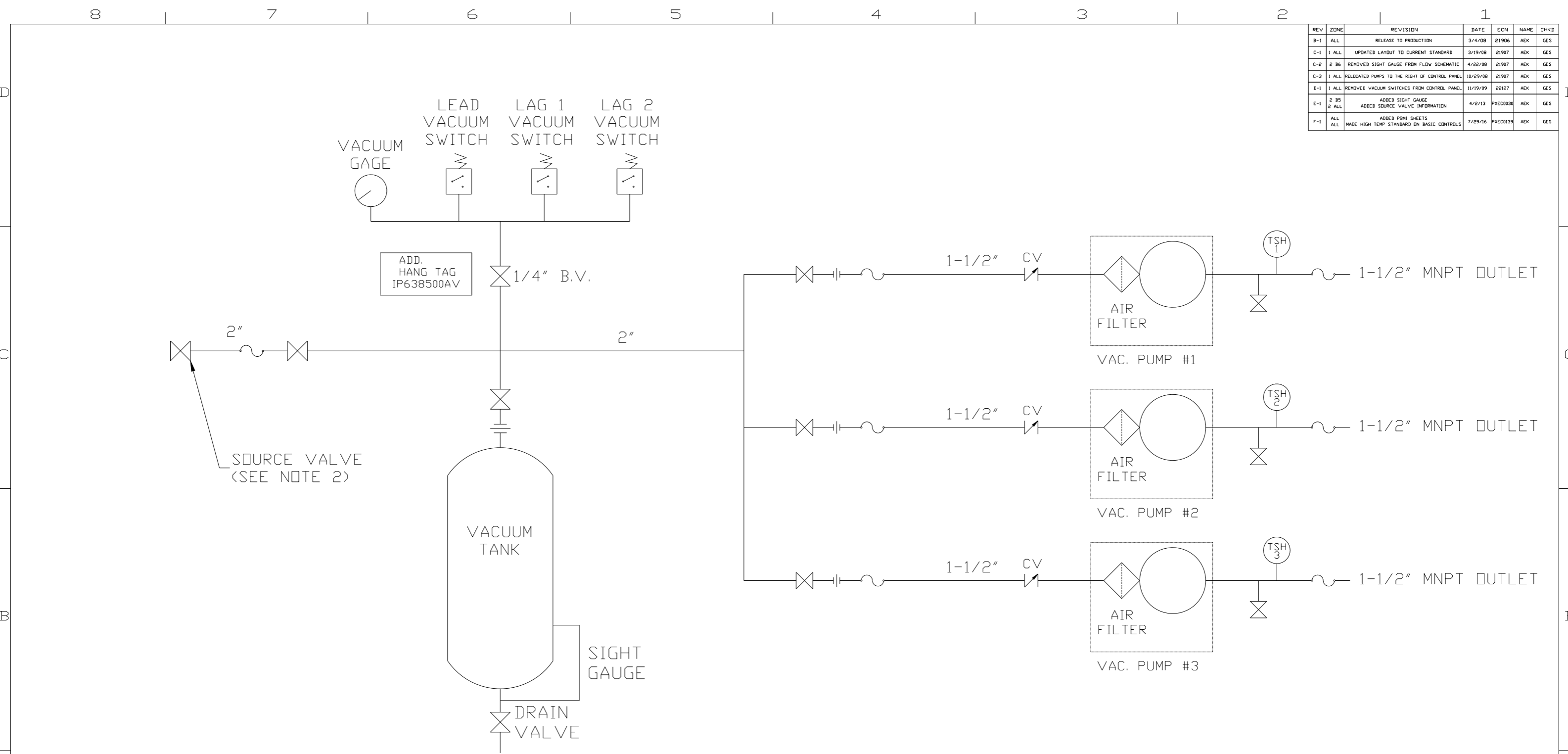
DWG NO: VOPT0754

SIZE: D

POWEREX
150 PRODUCTION DRIVE, HARRISON, OHIO 45030
Ph: 888-769-7979 FAX: (513) 367-3125

VOPT0754BK.dwg

REV	ZONE	REVISION	DATE	ECN	NAME	CHKD
B-1	ALL	RELEASE TO PRODUCTION	3/4/08	21906	AEK	GES
C-1	1 ALL	UPDATED LAYOUT TO CURRENT STANDARD	3/19/08	21907	AEK	GES
C-2	2 B6	REMOVED SIGHT GAUGE FROM FLOW SCHEMATIC	4/22/08	21907	AEK	GES
C-3	1 ALL	RELOCATED PUMPS TO THE RIGHT OF CONTROL PANEL	10/29/08	21907	AEK	GES
D-1	1 ALL	REMOVED VACUUM SWITCHES FROM CONTROL PANEL	11/19/09	22127	AEK	GES
E-1	2 B5	ADDED SIGHT GAUGE	4/2/13	PXEC0030	AEK	GES
E-1	2 ALL	ADDED SOURCE VALVE INFORMATION				
F-1	ALL	ADDED P&ID SHEETS	7/29/16	PXEC0139	AEK	GES
F-1	ALL	MADE HIGH TEMP STANDARD ON BASIC CONTROLS				

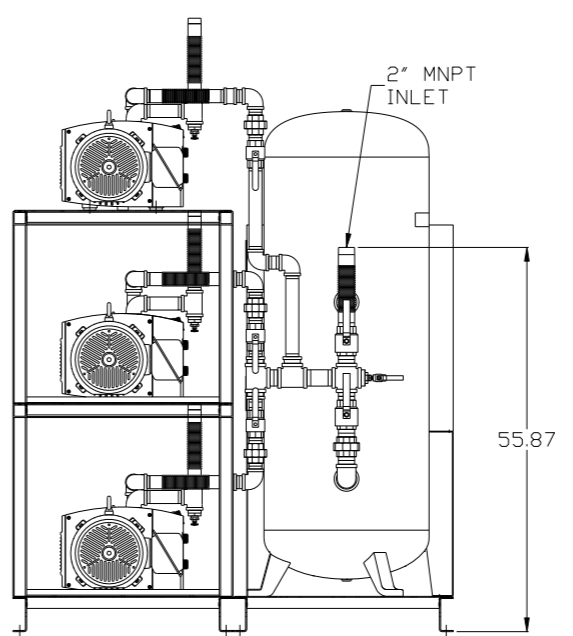
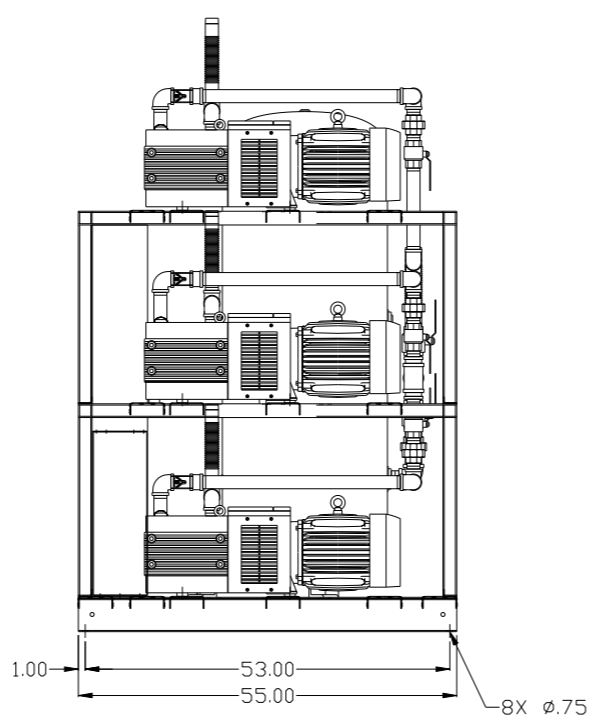
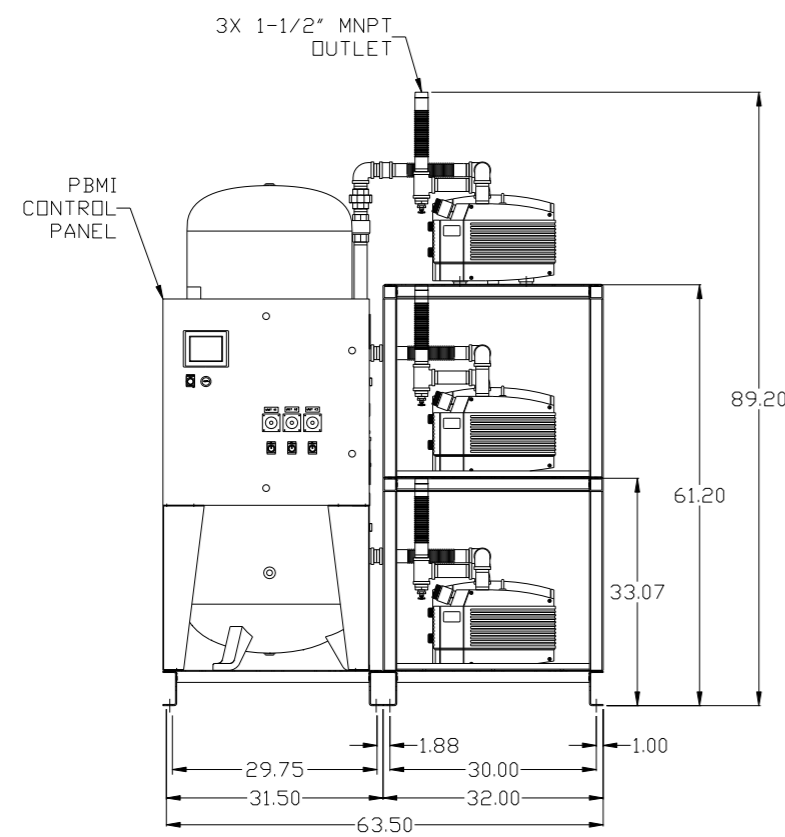
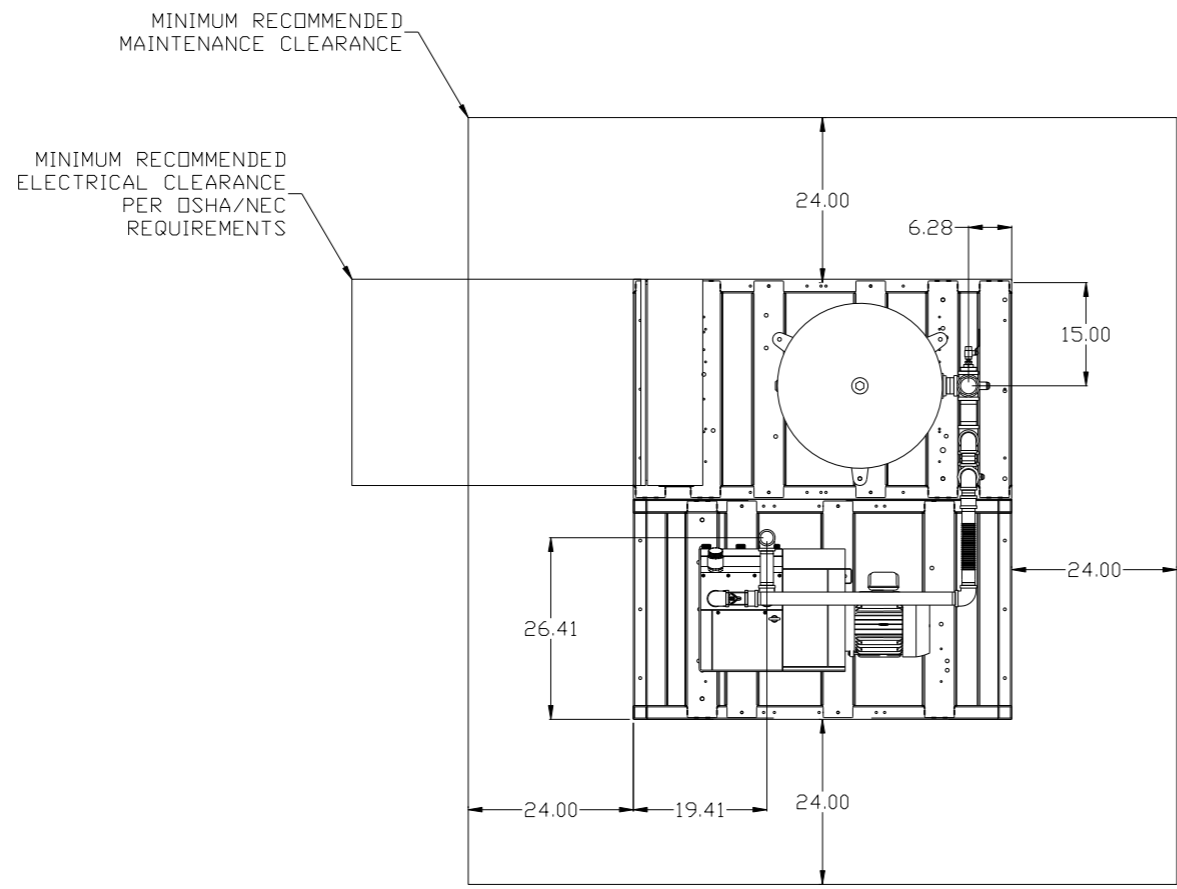


LEGEND	
	TEMP. SWITCH
	VACUUM SWITCH
	AIR FILTER
	BALL VALVE
	CHECK VALVE
	FLEX LINE
	UNION

NOTES:
 1) TSH - TEMPERATURE SWITCH HIGH
 2) PER NFPA THE SYSTEM WILL REQUIRE A SOURCE VALVE (SUPPLIED BY OTHERS).

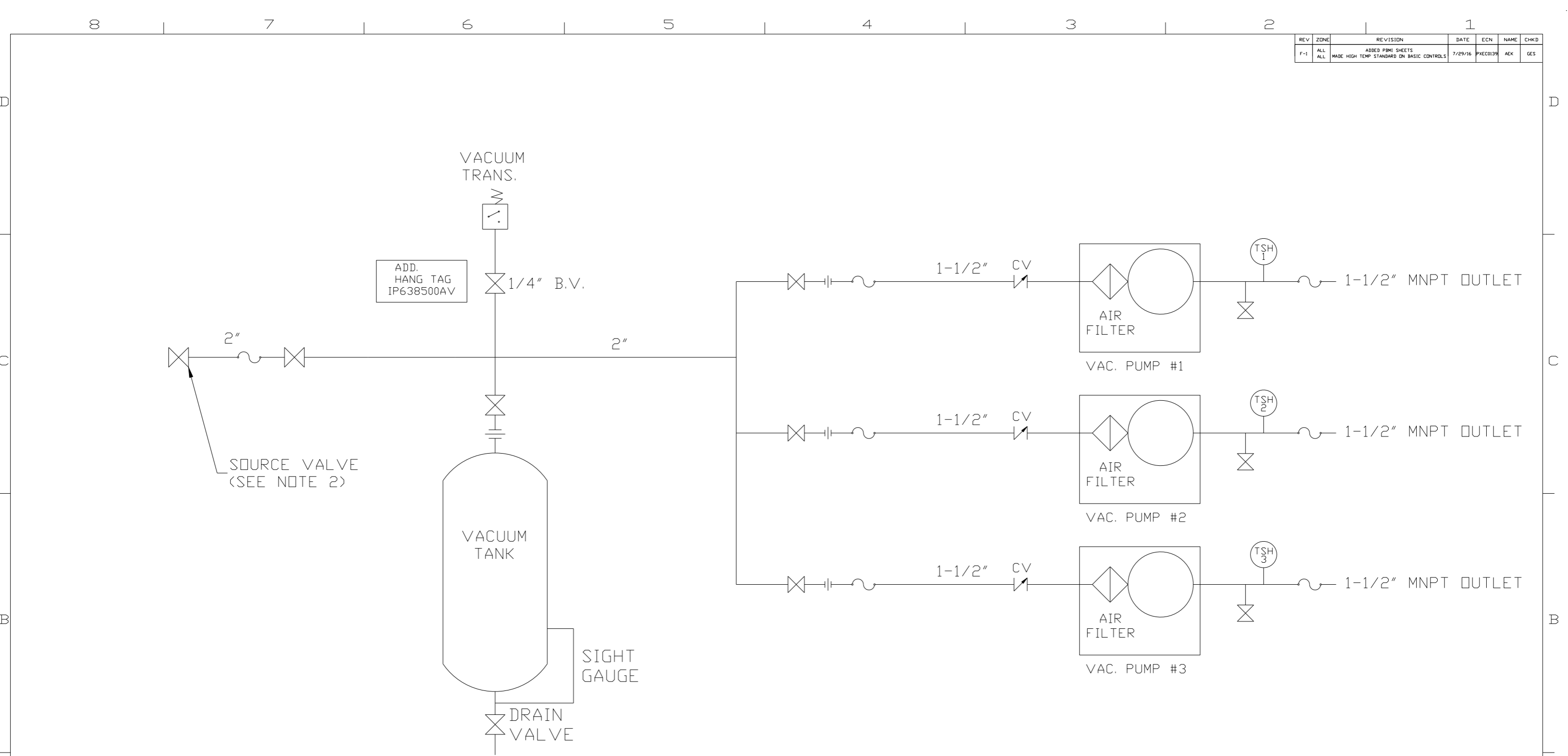
SYMBOL LEGEND			ADDITIONAL CONTROL REQ'D	Drawings to conform to the current revision of the following ANSI standards: Y14.3 Multi and sectional view dgs. Y14.5M Dimensioning and tolerancing
	MINUS DRAFT		BRINELL HARDNESS	
TOLERANCES NOT SPECIFIED		AUTOCAD REL2008 LT	DO NOT SCALE DRAWING FOR DIMENSIONS	
.XX ±	.XXX ±	<DEG> ±	INCH	SCALE 1:14
CONFIDENTIAL DISCLOSURE This drawing is the property of POWEREX, INC. or the SCOTT FELTZER COMPANY and subject to return on demand. Its contents are confidential and must not be copied or submitted to outside parties for use or examination.				
DRAWN BY	CHECKED BY	APPROVED BY	MFG/MRKTG	
AEK	GES	DMS	RJR	
3/4/08	3/4/08	3/4/08	3/4/08	
MATERIAL		N/A		
PART NAME		DILLESS VAC. TRIPLEX SCHEMATIC		
DWG NO		VOPT0754		
SIZE		D		

REV	ZONE	REVISION	DATE	ECN	NAME	CHKD
F-1	ALL	ADDED PBMI SHEETS	7/29/16	PXEC0139	AEK	GES
	ALL	MADE HIGH TEMP STANDARD DN BASIC CONTROLS				



SYMBOL LEGEND ⊖ = MINUS DRAFT ⊕ = PLUS DRAFT TOLERANCES NOT SPECIFIED .XX ± .XXX ± \angle (DEG) ±		= ADDITIONAL CONTROL REQ'D = BRINELL HARDNESS		Drawings to conform to the current revision of the following ANSI standards: Y14.3 Multi and sectional view dings. Y14.5M Dimensioning and tolerancing	
AUTOCAD REL2014 LT INCH		DO NOT SCALE DRAWING FOR DIMENSIONS Sheet 1 of 2 SCALE 1:14		CONFIDENTIAL DISCLOSURE This drawing is the property of POWEREX, INC. of the SCOTT FETZER COMPANY and subject to return on demand. Its contents are confidential and must not be copied or submitted to outside parties for use or examination.	
DRAWN BY AEK	CHECKED BY GES	APPROVED BY KMD	MFG/MRKTG JJ	DATE 7/29/16	DATE 7/29/16
MATERIAL N/A		POWEREX 150 PRODUCTION DRIVE, HARRISON, OHIO 45030 Ph 888-769-7979 FAX (513) 367-3125		SIZE D	
PART NAME 7.5 HP DILLESS VAC 120 GAL TRIPLEX		DWG NO VQPT0754		VQPT0754BK.dwg	

REV	ZONE	REVISION	DATE	ECN	NAME	CHKD
F-1	ALL	ADDED PBMI SHEETS	7/29/16	PXEC0139	AEK	GES
	ALL	MADE HIGH TEMP STANDARD IN BASIC CONTROLS				



LEGEND	
	TEMP. SWITCH
	AIR FILTER
	BALL VALVE
	VACUUM SWITCH
	CHECK VALVE
	FLEX LINE
	UNION

NOTES:
 1) TSH - TEMPERATURE SWITCH HIGH
 2) PER NFPA THE SYSTEM WILL REQUIRE A SOURCE VALVE (SUPPLIED BY OTHERS).

SYMBOL LEGEND		= ADDITIONAL CONTROL REQ'D		Drawings to conform to the current revision of the following ANSI standards:	
= MINUS DRAFT		= BRINELL HARDNESS		Y14.3 Multi and sectional view dgs.	
= PLUS DRAFT				Y14.5M Dimensioning and tolerancing	
TOLERANCES NOT SPECIFIED		AUTOCAD REL2014 LT		DO NOT SCALE DRAWING FOR DIMENSIONS	
.XX ±		INCH		Sheet 2 of 2	
.XXX ±				SCALE 1:14	
∠(DEG) ±					
CONFIDENTIAL DISCLOSURE					
This drawing is the property of POWEREX, INC. of the SCOTT FETZER COMPANY and subject to return on demand. Its contents are confidential and must not be copied or submitted to outside parties for use or examination.					
DRAWN BY		CHECKED BY		APPROVED BY	
AEK		GES		KMD JJ	
7/29/16		7/29/16		7/29/16 7/29/16	
MATERIAL		N/A			
PART NAME		DILLESS VAC.			
TRIPLEX SCHEMATIC		DWG NO		SIZE	
		VOPT0754		D	