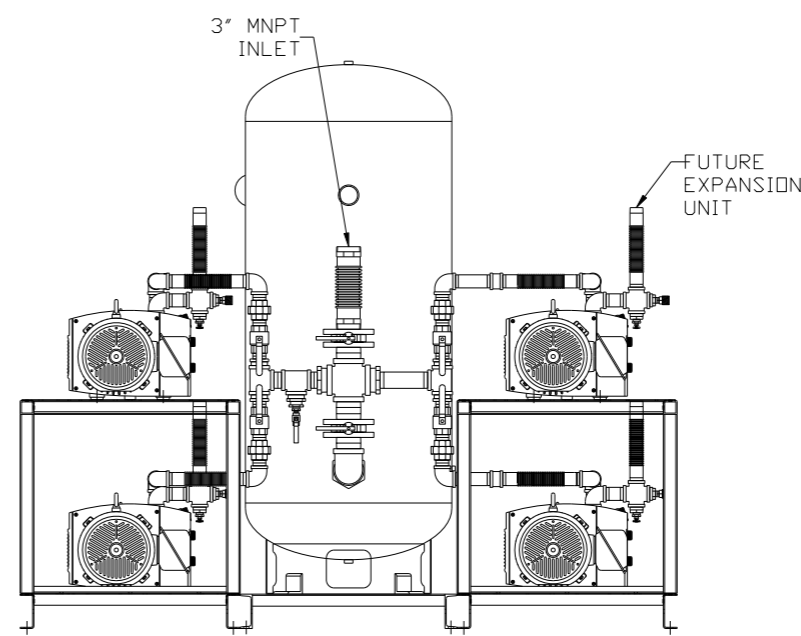
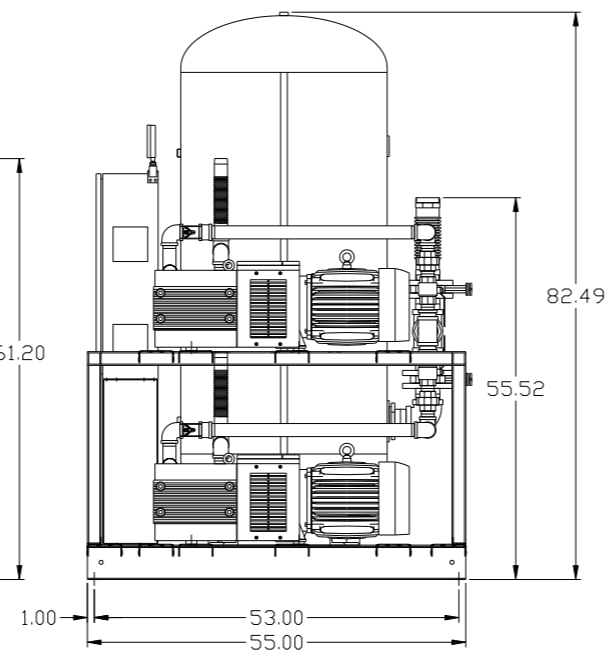
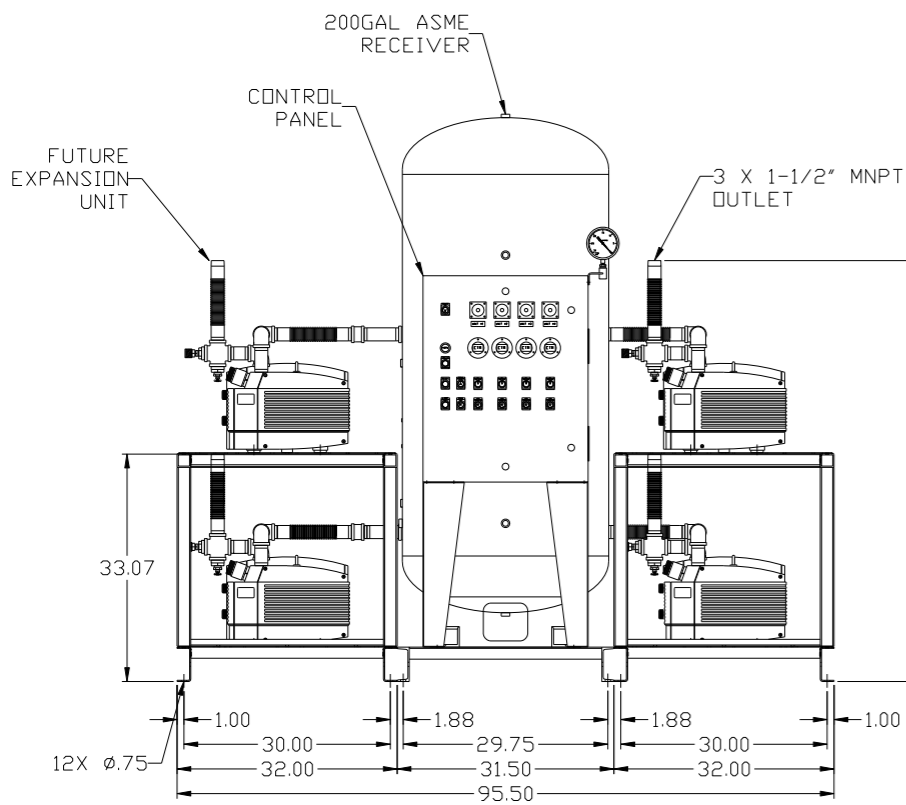
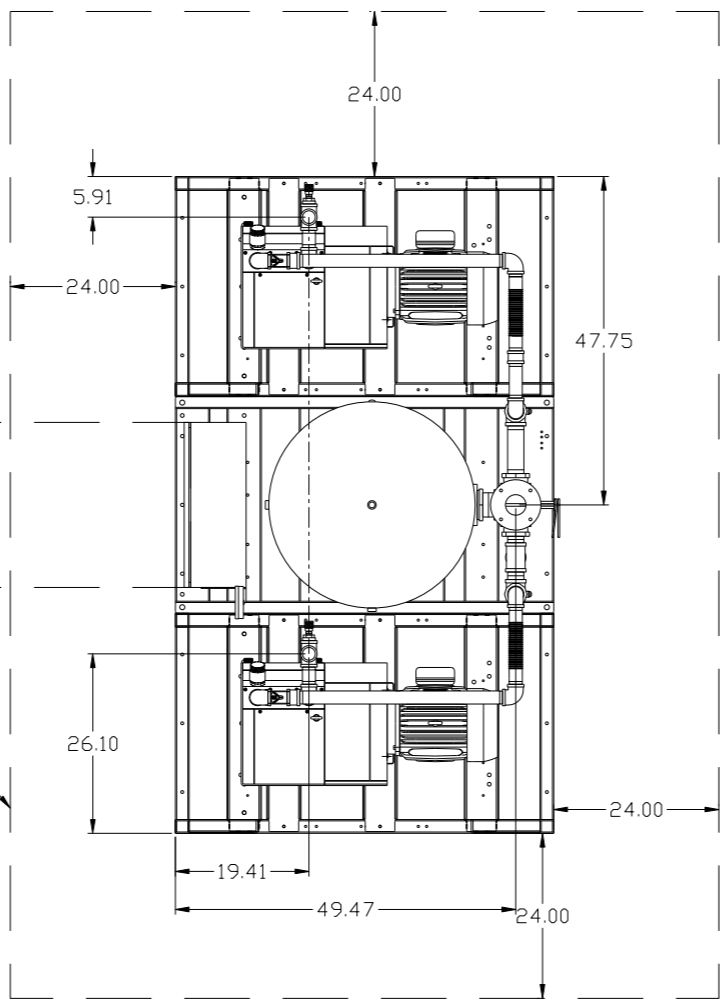


REV	ZONE	REVISION	DATE	ECN	NAME	CHKD
B-1	ALL	RELEASE TO PRODUCTION	6/5/17	PKC0186	GES	KMD

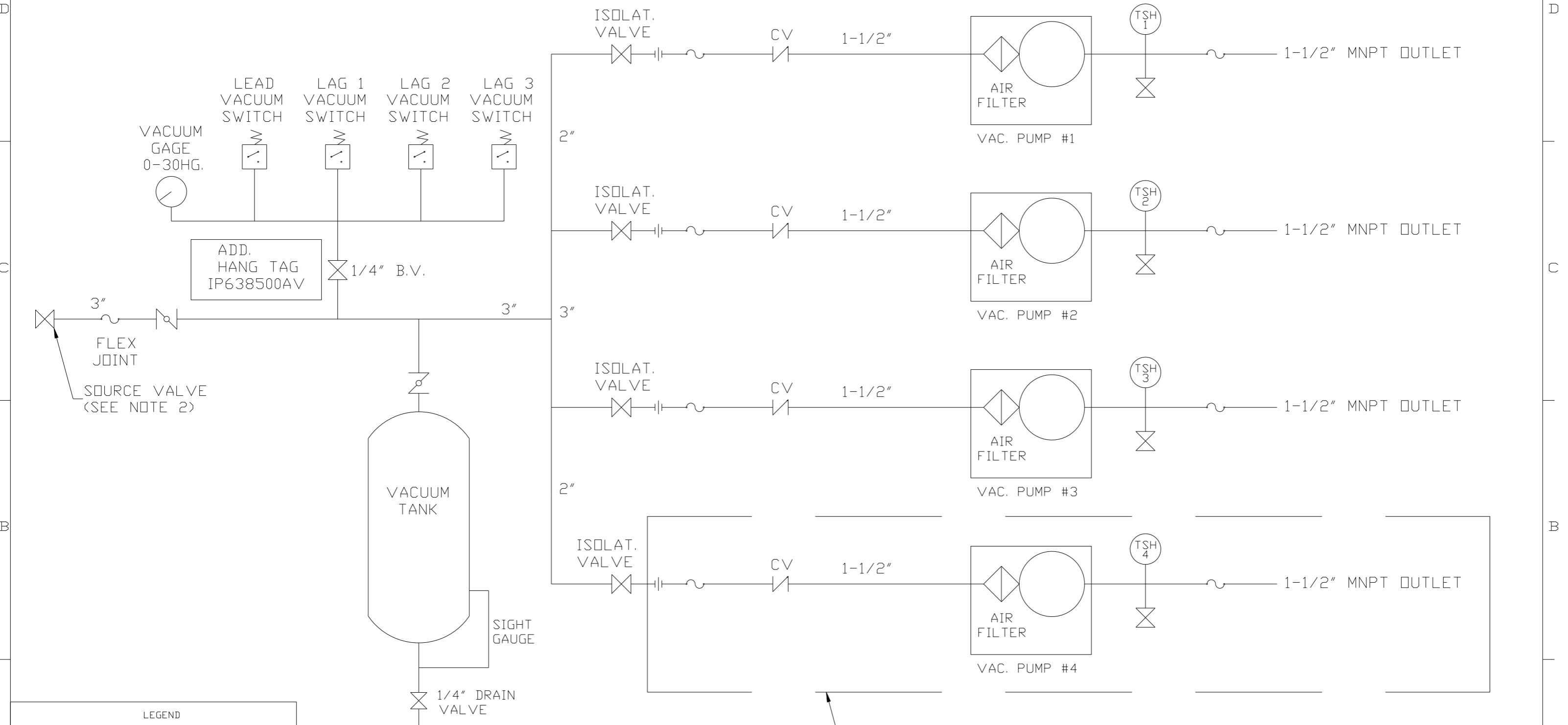
MINIMUM RECOMMENDED ELECTRICAL CLEARANCE PER OSHA/NEC

MINIMUM RECOMMENDED MAINTENANCE CLEARANCE



SYMBOL LEGEND		= ADDITIONAL CONTROL REQ'D		Drawings to conform to the current revision of the following ANSI standards:	
⊖	MINUS DRAFT	⊕	PLUS DRAFT	⊖	BRINELL HARDNESS
TOLERANCES NOT SPECIFIED		AUTOCAD REL2014 LT		DO NOT SCALE DRAWING FOR DIMENSIONS	
.XX	±	INCH		Sheet 1 of 2	SCALE 1:14
.XXX	±				
<Z< DEG	±				
CONFIDENTIAL DISCLOSURE This drawing is the property of POWEREX, INC. of the SCOTT FEITZER COMPANY and subject to return on demand. Its contents are confidential and must not be copied or submitted to outside parties for use or examination.					
DRAWN BY		CHECKED BY	APPROVED BY		MFG/MKTG
GES		KMD	GES		DFG
6/5/17		6/5/17	6/5/17		6/5/17
MATERIAL		N/A		 150 PRODUCTION DRIVE, HARRISON, OHIO 45030 Ph: 888-769-7979 FAX: (513) 367-3125	
PART NAME		7.5HP DL VAC TRIPLEX		SIZE	
EX4 200GAL MED PKG		DWG NO		VQPT0755-EX4	

REV	ZONE	REVISION	DATE	ECN	NAME	CHKD
B-1	ALL	RELEASE TO PRODUCTION	6/5/17		GES	KMD

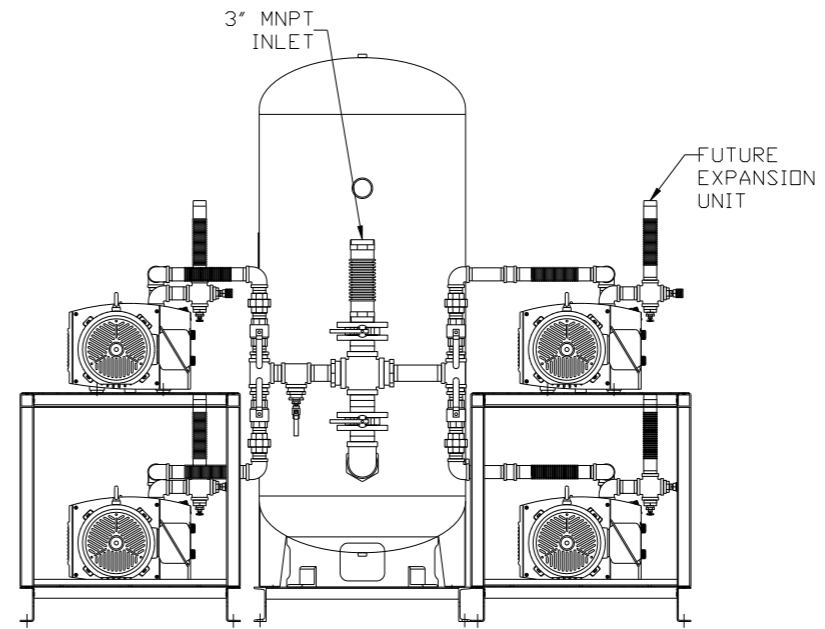
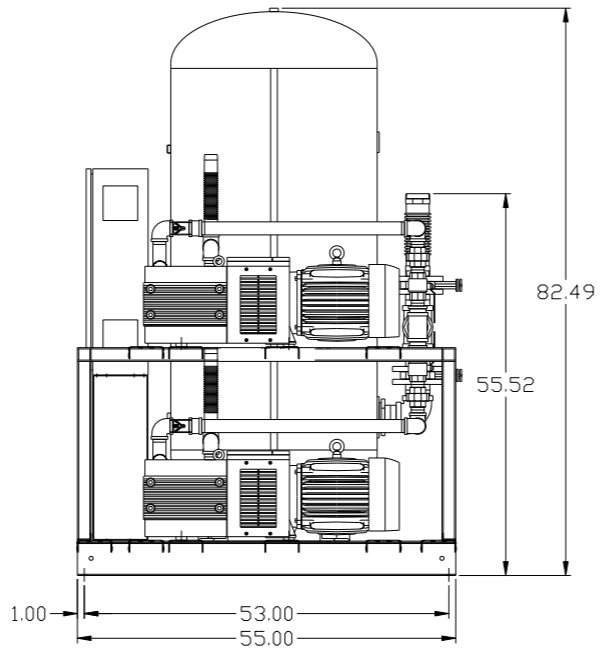
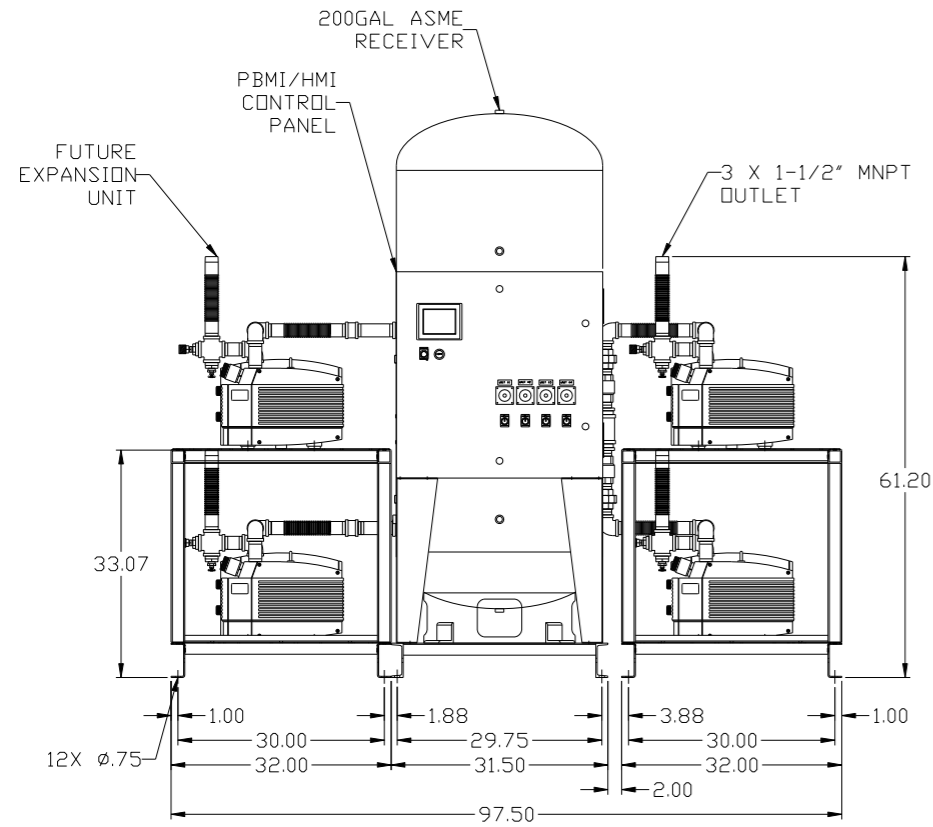
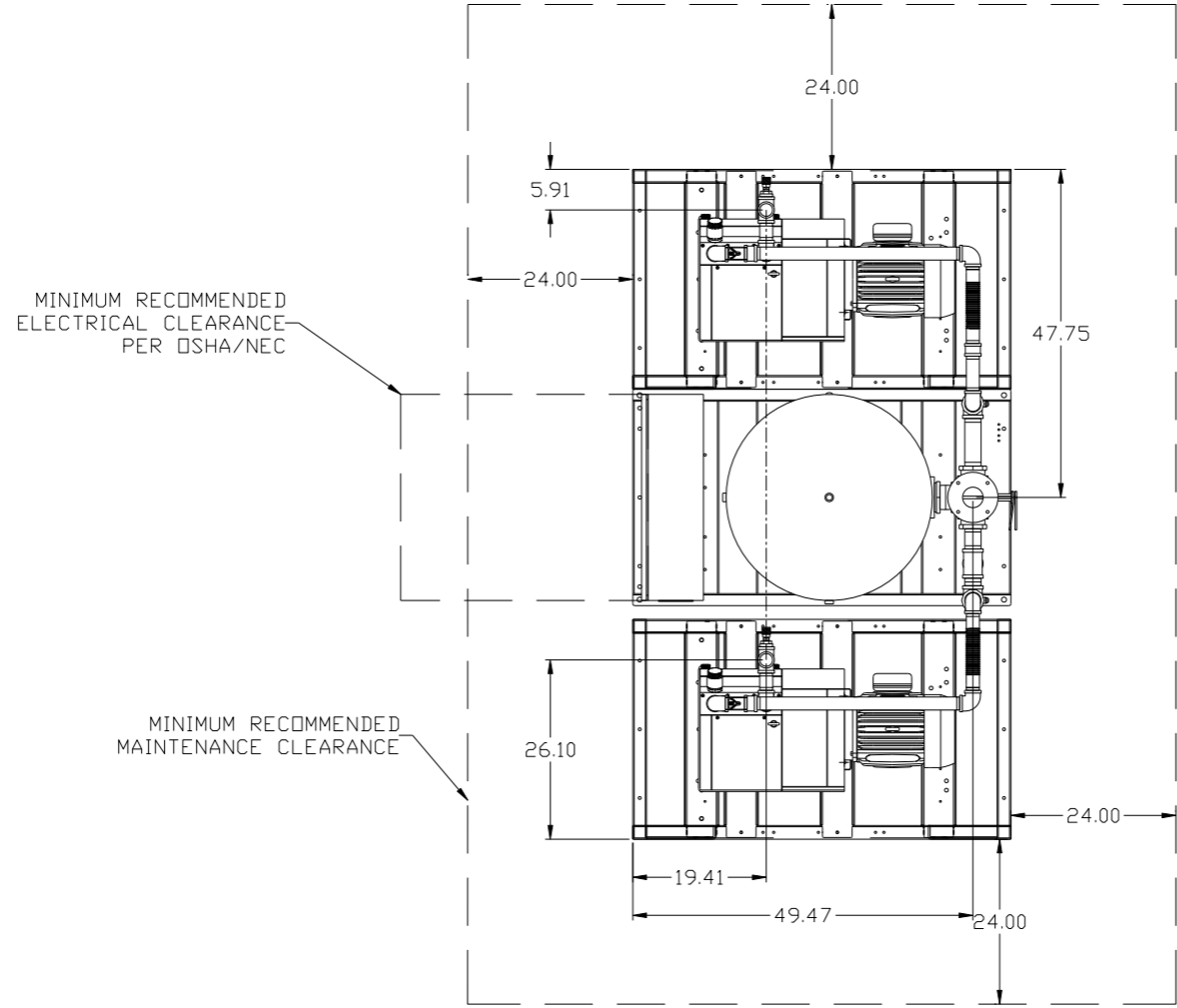


LEGEND	
TSH 2	TEMP. SWITCH
	VACUUM SWITCH
	BALL VALVE
	CHECK VALVE
	UNION
	FLEX LINE
	BUTTERFLY VALVE

NOTE:  
 1) TSH - TEMPERATURE SWITCH HIGH  
 2) PER NFPA THE SYSTEM WILL REQUIRE A SOURCE VALVE (SUPPLIED BY OTHERS).

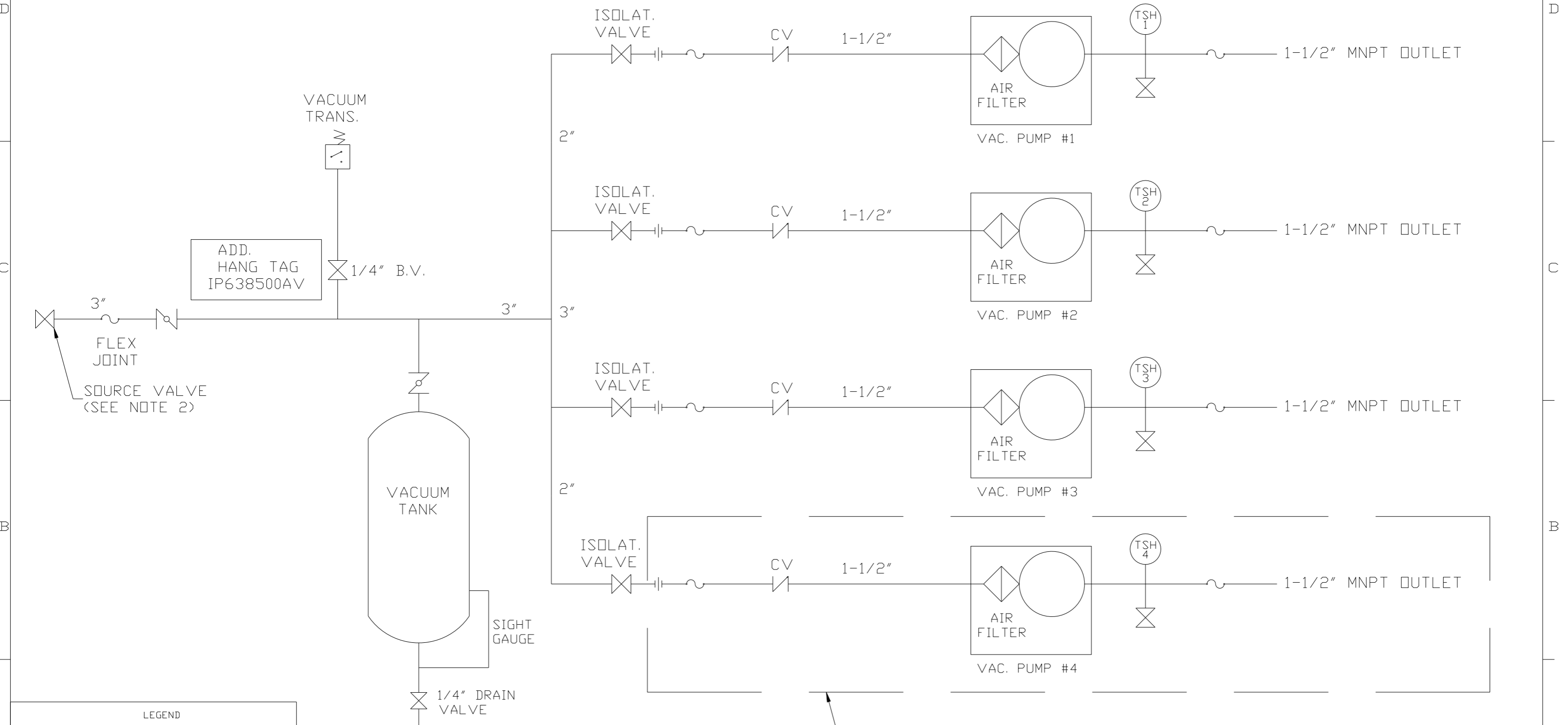
SYMBOL LEGEND ⊖ = MINUS DRAFT ⊕ = PLUS DRAFT TOLERANCES NOT SPECIFIED .XX ± .XXX ± <math>\angle</math> (DEG.) ±		ADDITIONAL CONTROL REQ'D BRINELL HARDNESS		Drawings to conform to the current revision of the following ANSI standards Y14.3 Multi and sectional view dgs. Y14.5M Dimensioning and tolerancing	
AUTOCAD REL2014 LT INCH		DO NOT SCALE DRAWING FOR DIMENSIONS Sheet 2 of 2 SCALE 1:14		CONFIDENTIAL DISCLOSURE This drawing is the property of POWEREX, INC. of the SCOTT FETZER COMPANY and subject to return on demand. Its contents are confidential and must not be copied or submitted to outside parties for use or examination.	
DRAWN BY GES		CHECKED BY KMD		APPROVED BY ENGINEERING MFG/MKTG GES DFG	
MATERIAL N/A		DATE 6/5/17		DATE 6/5/17	
PART NAME DL VAC TRIPLEX EX4 FLOW SCHEMATIC		 150 PRODUCTION DRIVE, HARRISON, OHIO 45030 Ph: 888-769-7979 FAX: (513) 367-3125		DWG NO VOPT0755-EX4	

REV	ZONE	REVISION	DATE	ECN	NAME	CHKD
B-1	ALL	RELEASE TO PRODUCTION	6/5/17	PKC0186	GES	KMD



SYMBOL LEGEND		= ADDITIONAL CONTROL REQ'D		Drawings to conform to the current revision of the following ANSI standards	
⊖	MINUS DRAFT	⊕	PLUS DRAFT	⊖	BRINELL HARDNESS
TOLERANCES NOT SPECIFIED		AUTOCAD REL2014 LT		DO NOT SCALE DRAWING FOR DIMENSIONS	
.XX	±	INCH		Sheet 1 of 2	
.XXX	±			SCALE 1:14	
<DEG>	±				
CONFIDENTIAL DISCLOSURE This drawing is the property of POWEREX, INC. of the SCOTT FEITZER COMPANY and subject to return on demand. Its contents are confidential and must not be copied or submitted to outside parties for use or examination.					
DRAWN BY	CHECKED BY	APPROVED BY	MFG/MKTG		
GES	KMD	GES	DFG		
6/5/17	6/5/17	6/5/17	6/5/17		
MATERIAL		N/A			
PART NAME		7.5HP DL VAC TRIPLEX		SIZE	
EX4 200GAL MED PKG		VQPT0755-EX4		D	

REV	ZONE	REVISION	DATE	ECN	NAME	CHKD
B-1	ALL	RELEASE TO PRODUCTION	6/5/17		GES	KMD



LEGEND	
	TEMP. SWITCH
	VACUUM SWITCH
	BALL VALVE
	CHECK VALVE
	UNION
	FLEX LINE
	BUTTERFLY VALVE

NOTE:  
 1) TSH - TEMPERATURE SWITCH HIGH  
 2) PER NFPA THE SYSTEM WILL REQUIRE A SOURCE VALVE (SUPPLIED BY OTHERS).

<b>SYMBOL LEGEND</b> = MINUS DRAFT = PLUS DRAFT = ADDITIONAL CONTROL REQ'D = BRINELL HARDNESS		Drawings to conform to the current revision of the following ANSI standards: Y14.3 Multi and sectional view dgs. Y14.5M Dimensioning and tolerancing
TOLERANCES NOT SPECIFIED .XX ± .XXX ± <math>\angle</math> (DEG) ±	AUTOCAD REL2014 LT INCH	DO NOT SCALE DRAWING FOR DIMENSIONS Sheet 2 of 2 SCALE 1:14
<b>CONFIDENTIAL DISCLOSURE</b> This drawing is the property of POWEREX, INC. of the SCOTT FETZER COMPANY and subject to return on demand. Its contents are confidential and must not be copied or submitted to outside parties for use or examination.		
DRAWN BY GES	CHECKED BY KMD	APPROVED BY ENGINEERING MFG/MKTG GES DFG
MATERIAL N/A	 150 PRODUCTION DRIVE, HARRISON, OHIO 45030 Ph: 888-769-7979 FAX: (513) 367-3125	
PART NAME DL VAC TRIPLEX EX4 FLOW SCHEMATIC	DWG NO VOPT0755-EX4	SIZE D