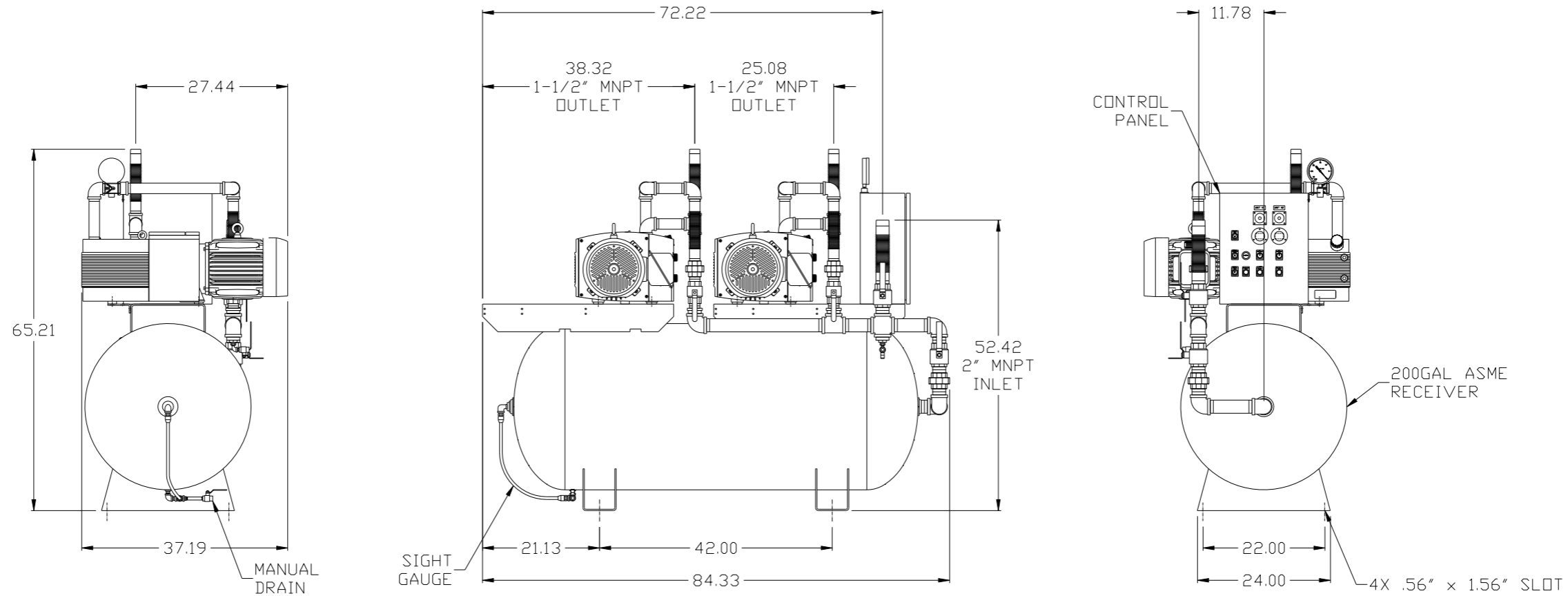


REV	ZONE	REVISION	DATE	ECN	NAME	CHKD
B-1	ALL	RELEASE TO PRODUCTION	2/1/08	21906	AEK	GES
C-1	1 ALL	UPDATED LAYOUT TO CURRENT STANDARD	3/25/08	21907	AEK	GES
C-2	ALL	REMOVED SIGHT GAUGE FROM LAYOUT AND FLOW	4/16/08	21907	AEK	GES
C-3	ALL	REDIRECTED INLET CONNECTION	10/30/08	21907	AEK	GES
D-1	1 ALL	REDIRECTED INLET CONNECTION PER PRODUCTION	3/19/09	22127	AEK	DMS
D-2	1 ALL	REMOVED VACUUM SWITCHES FROM CONTROL PANEL	11/19/09	22127	AEK	GES
E-1	2 C2 1 ALL	ADDED DRIP LEG UPDATED BUILD TO CURRENT PRODUCTION	3/17/10	22348	AEK	GES
F-1	ALL	ADDED P&ID SHEETS	12/27/11	22610	AEK	GES
G-1	1 ALL	UPDATED BUILD SHEET PLUMBING PER PRODUCTION	5/21/12	22723	AEK	DMS
H-1	ALL 2 ALL	ADDED SIGHT GAUGE ADDED SOURCE VALVE INFORMATION	10/18/12	PXEC0030	AEK	DMS

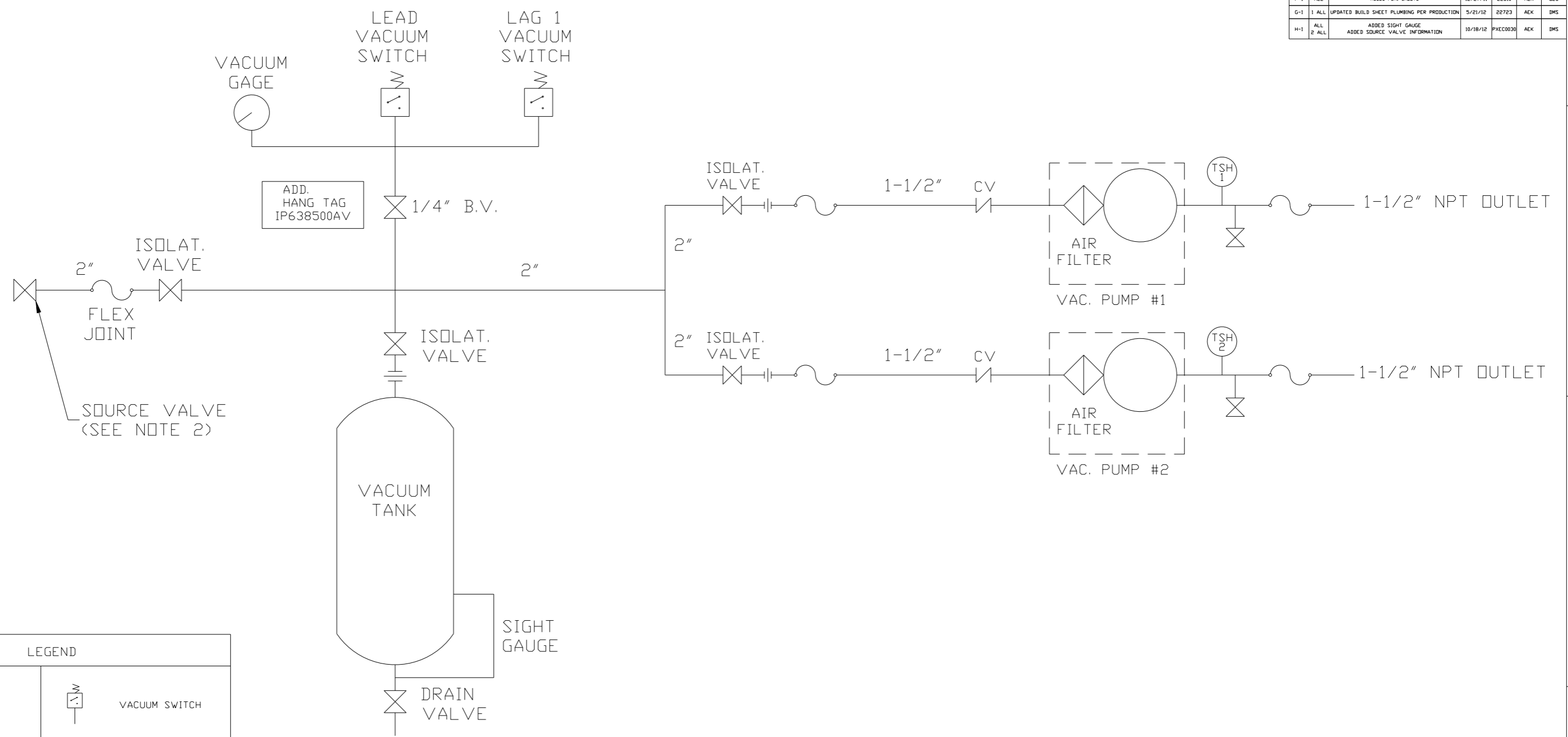


NOTE: SYSTEM DESIGNED IN COMPLIANCE WITH U.S. NFPA '99, LATEST EDITION.

NOTE: A MINIMUM OF 24" CLEARANCE IS RECOMMENDED AROUND THE ENTIRE UNIT.

<b>SYMBOL LEGEND</b> ⊖ = MINUS DRAFT ⊕ = PLUS DRAFT <small>Drawings to conform to the current revision of the following ANSI standards:          Y14.3 Multi and sectional view dsgs.          Y14.5M Dimensioning and tolerancing</small>		⊕ = ADDITIONAL CONTROL REQ'D ⊕ = BRINELL HARDNESS
TOLERANCES NOT SPECIFIED .XX ± .XXX ± << DEG > ±	AUTOCAD REL2008 LT <b>INCH</b>	<b>DO NOT SCALE DRAWING FOR DIMENSIONS</b> Sheet 1 of 2 SCALE 1:12
<b>CONFIDENTIAL DISCLOSURE</b> <small>This drawing is the property of POWEREX, INC. of the SCOTT FETZER COMPANY and subject to return on demand. Its contents are confidential and must not be copied or submitted to outside parties for use or examination.</small>		
DRAWN BY AEK	CHECKED BY GES	APPROVED BY ENGINEERING MFG/MKTG DMS RJR
MATERIAL N/A	DATE 2/1/08	DATE 2/1/08 2/1/08 2/1/08
PART NAME 7.5HP OILLESS VAC 200GAL. DUPLEX	DWG NO VOTD0755	SIZE D

REV	ZONE	REVISION	DATE	ECN	NAME	CHKD
B-1	ALL	RELEASE TO PRODUCTION	2/1/08	21906	AEK	GES
C-1	1 ALL	UPDATED LAYOUT TO CURRENT STANDARD	3/25/08	21907	AEK	GES
C-2	ALL	REMOVED SIGHT GAUGE FROM LAYOUT AND FLOW	4/16/08	21907	AEK	GES
C-3	ALL	REDIRECTED INLET CONNECTION	10/30/08	21907	AEK	GES
D-1	1 ALL	REDIRECTED INLET CONNECTION PER PRODUCTION	3/19/09	22127	AEK	DMS
D-2	1 ALL	REMOVED VACUUM SWITCHES FROM CONTROL PANEL	11/19/09	22127	AEK	GES
E-1	2 C2 1 ALL	ADDED DRIP LEG UPDATED BUILD TO CURRENT PRODUCTION	3/17/10	22348	AEK	GES
F-1	ALL	ADDED P&ID SHEETS	12/27/11	22610	AEK	GES
G-1	1 ALL	UPDATED BUILD SHEET PLUMBING PER PRODUCTION	5/21/12	22723	AEK	DMS
H-1	ALL 2 ALL	ADDED SIGHT GAUGE ADDED SOURCE VALVE INFORMATION	10/18/12	PXEC0030	AEK	DMS



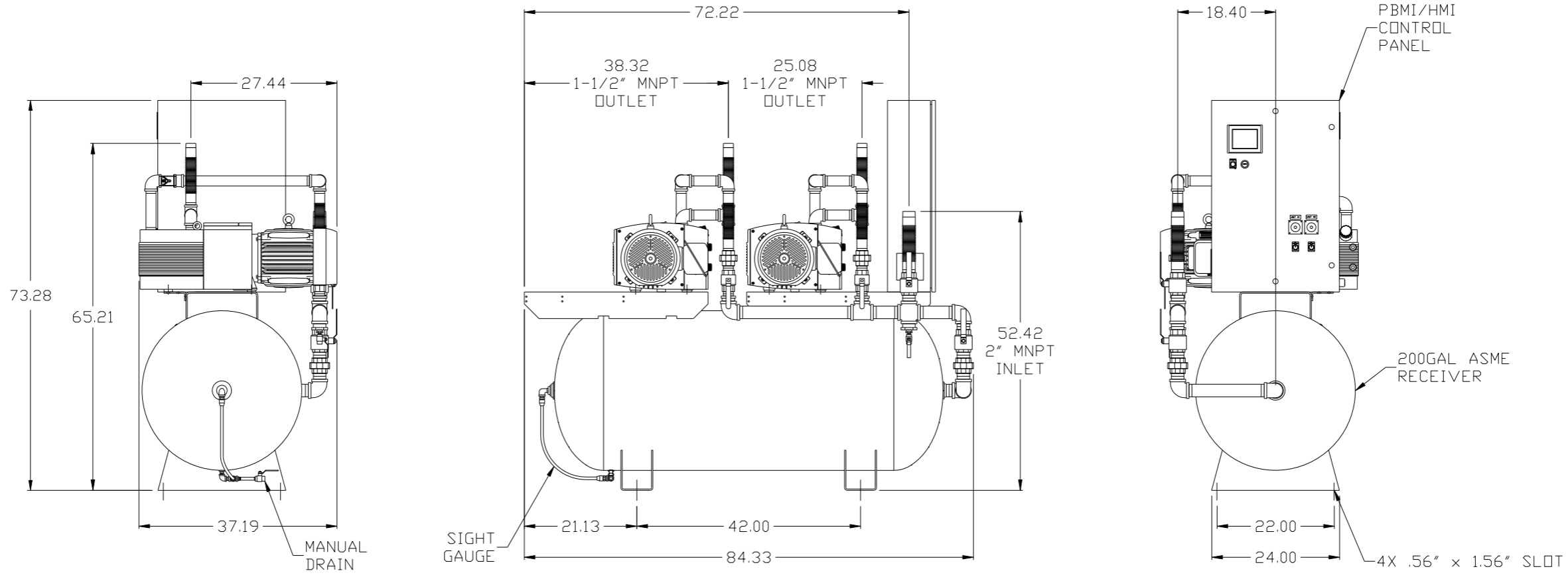
LEGEND	
	TEMP. SWITCH
	LOW OIL LEVEL SW.
	AIR FILTER
	BALL VALVE
	SOLENOID VALVE
	VACUUM SWITCH
	CHECK VALVE
	FLEX LINE
	UNION

NOTES:  
 1) TSH - TEMPERATURE SWITCH HIGH (OPTIONAL)  
 2) PER NFPA THE SYSTEM WILL REQUIRE A SOURCE VALVE (SUPPLIED BY OTHERS).

SYMBOL LEGEND			ADDITIONAL CONTROL REQ'D	Drawings to conform to the current revision of the following ANSI standards: Y14.3 Multi and sectional view dgs. Y14.5M Dimensioning and tolerancing
	MINUS DRAFT		BRINELL HARDNESS	
TOLERANCES NOT SPECIFIED		AUTOCAD REL2008 LT	DO NOT SCALE DRAWING FOR DIMENSIONS	
.XX ±		INCH	Sheet 2 of 2	SCALE 1:12
CONFIDENTIAL DISCLOSURE This drawing is the property of POWEREX, INC. OF THE SCOTT FETZER COMPANY and subject to return on demand. Its contents are confidential and must not be copied or submitted to outside parties for use or examination.		DRAWN BY AEK	CHECKED BY GES	APPROVED BY ENGINEERING MFG/MRKTG DMS RJR
MATERIAL N/A		DATE 2/1/08	DATE 2/1/08	DATE 2/1/08
PART NAME DL VAC DUPLEX FLOW SCHEMATIC		DWG NO VOTD0755		SIZE D

8 7 6 5 4 3 2 1

REV	ZONE	REVISION	DATE	ECN	NAME	CHKD
F-1	ALL	ADDED PBMI SHEETS	12/27/11	22610	AEK	GES
G-1	1 ALL	UPDATED BUILD SHEET PLUMBING PER PRODUCTION	5/21/12	22723	AEK	DMS
H-1	2 ALL	ADDED SIGHT GAUGE ADDED SOURCE VALVE INFORMATION	10/18/12	PXEC0030	AEK	DMS



NOTE: SYSTEM DESIGNED IN COMPLIANCE WITH U.S. NFPA '99, LATEST EDITION.

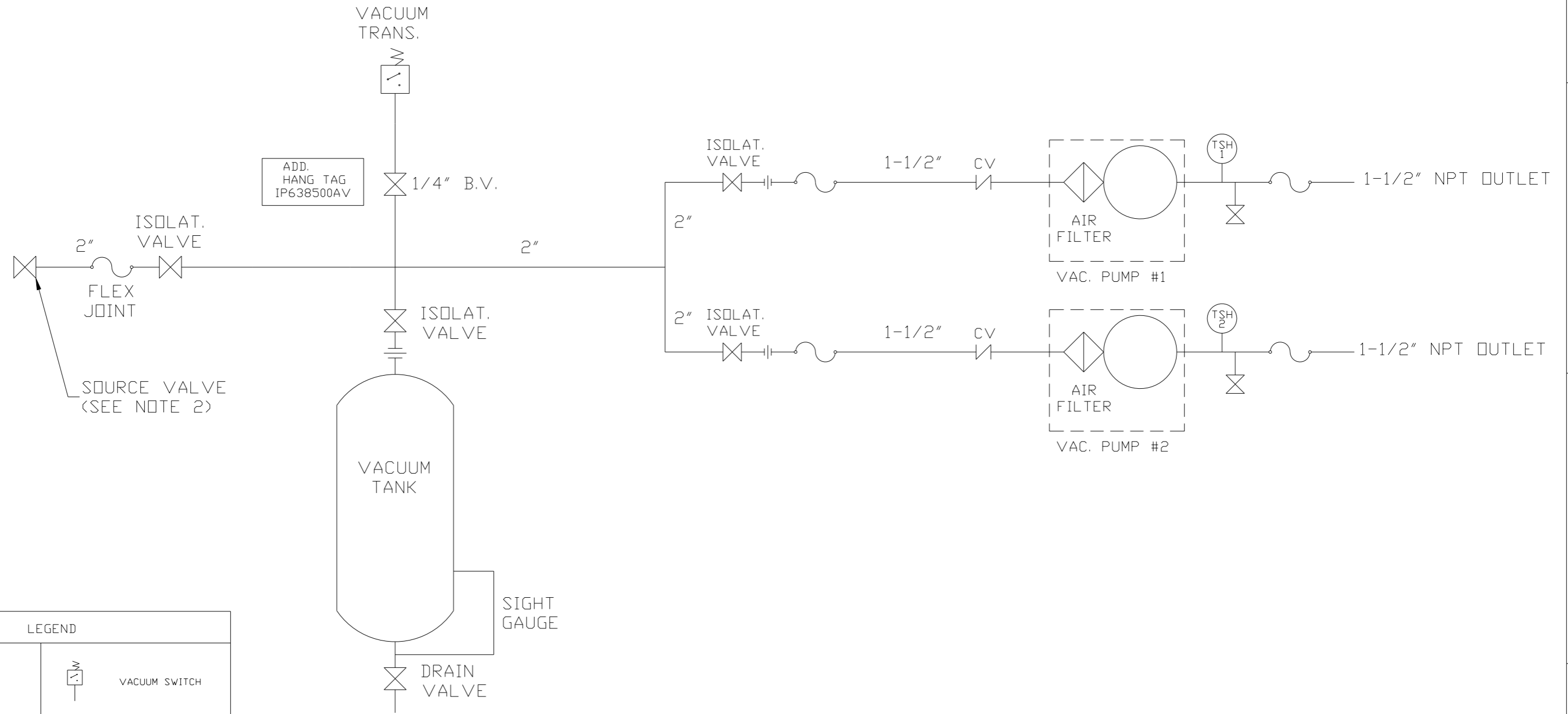
NOTE: A MINIMUM OF 24" CLEARANCE IS RECOMMENDED AROUND THE ENTIRE UNIT.

<b>SYMBOL LEGEND</b> ⊖ = MINUS DRAFT ⊕ = PLUS DRAFT ⊕ = ADDITIONAL CONTROL REQ'D HRC = BRINELL HARDNESS		Drawings to conform to the current revision of the following ANSI standards: Y14.3 Multi and sectional view dgs. Y14.5M Dimensioning and tolerancing	
TOLERANCES NOT SPECIFIED .XX ± .XXX ± <math>\angle</math>(DEG) ±		<b>DO NOT SCALE DRAWING FOR DIMENSIONS</b> AUTOCAD REL2008 LT INCH Sheet 1 of 2 SCALE 1:12	
<b>CONFIDENTIAL DISCLOSURE</b> This drawing is the property of POWEREX, INC. of the SCOTT FETZER COMPANY and subject to return on demand. Its contents are confidential and must not be copied or submitted to outside parties for use or examination.		DRAWN BY: AEK CHECKED BY: GES APPROVED BY: AEK, RJR 12/27/11 12/27/11 12/27/11 12/27/11	
MATERIAL: N/A		<b>POWEREX</b> 150 PRODUCTION DRIVE, HARRISON, OHIO 45030 Ph: 888-769-7979 FAX: (513) 367-3125	
PART NAME: 7.5HP OILLESS VAC 200GAL. DUPLEX		DWG NO: VOTD0755 SIZE: D	

8 7 6 5 4 3 2 1

VOTD0755BK.dwg

REV	ZONE	REVISION	DATE	ECN	NAME	CHKD
F-1	ALL	ADDED PBM1 SHEETS	12/27/11	22610	AEK	GES
G-1	1 ALL	UPDATED BUILD SHEET PLUMBING PER PRODUCTION	5/21/12	22723	AEK	DMS
H-1	ALL	ADDED SIGHT GAUGE	10/18/12	PXEC0030	AEK	DMS
	2 ALL	ADDED SOURCE VALVE INFORMATION				



ADD.  
HANG TAG  
IP638500AV

LEGEND	
	TEMP. SWITCH
	LOW OIL LEVEL SW.
	AIR FILTER
	BALL VALVE
	SOLENOID VALVE
	VACUUM SWITCH
	CHECK VALVE
	FLEX LINE
	UNION

NOTES:  
 1) TSH - TEMPERATURE SWITCH HIGH  
 2) PER NFPA THE SYSTEM WILL REQUIRE A SOURCE VALVE (SUPPLIED BY OTHERS).

SYMBOL LEGEND			= ADDITIONAL CONTROL REQ'D	Drawings to conform to the current revision of the following ANSI standards: Y14.3 Multi and sectional view dgs. Y14.5M Dimensioning and tolerancing
	= MINUS DRAFT		= BRINELL HARDNESS	
TOLERANCES NOT SPECIFIED		AUTOCAD REL2008 LT	DO NOT SCALE DRAWING FOR DIMENSIONS	
.XX ±		INCH	Sheet 2 of 2	SCALE 1:12
CONFIDENTIAL DISCLOSURE This drawing is the property of POWEREX, INC. of the SCOTT FETZER COMPANY and subject to return on demand. Its contents are confidential and must not be copied or submitted to outside parties for use or examination.		DRAWN BY AEK	CHECKED BY GES	APPROVED BY ENGINEERING MFG/MRKTG AEK RJR
MATERIAL N/A		12/27/11	12/27/11	12/27/11
PART NAME DL VAC DUPLEX FLOW SCHEMATIC				SIZE D
		DWG NO VOTD0755		