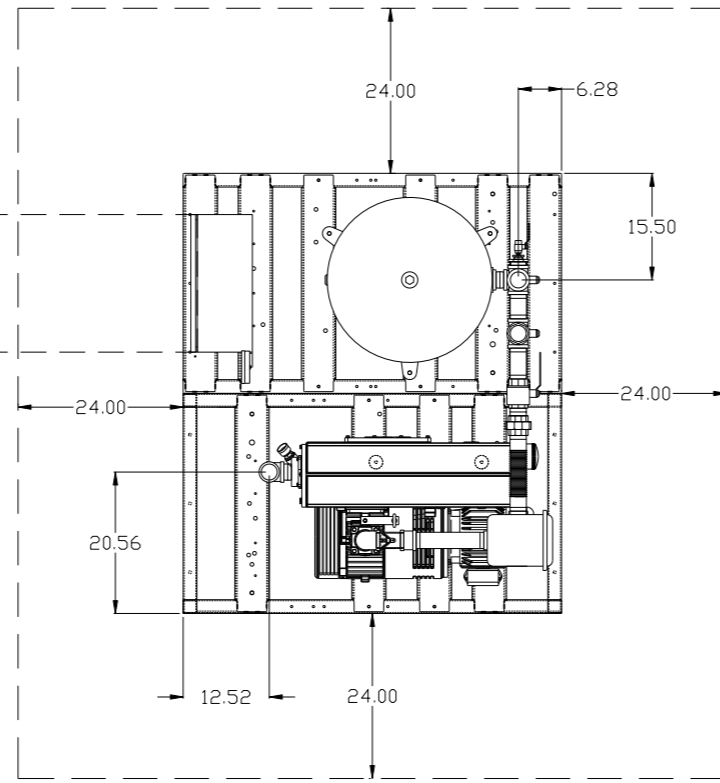


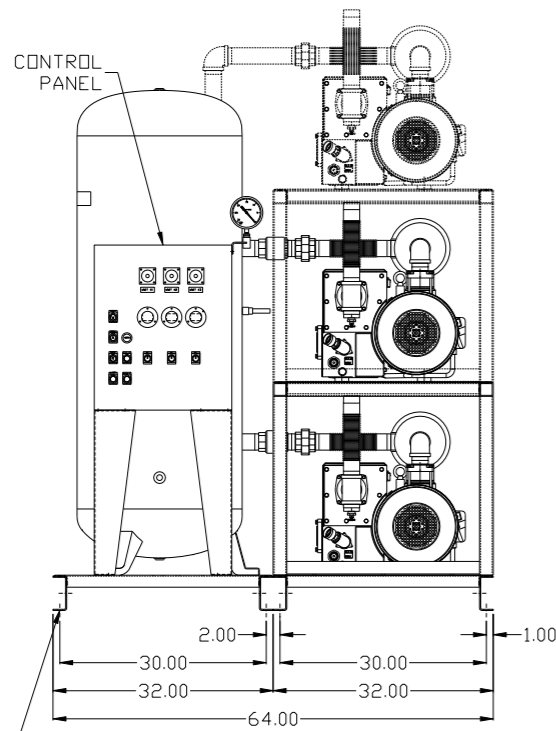
REV	ZONE	REVISION	DATE	ECN	NAME	CHKD
B-1	ALL	RELEASE TO PRODUCTION	12/29/16	PXEC0138	AEK	DMS

MINIMUM RECOMMENDED ELECTRICAL PANEL CLEARANCE PER OSHA/NEC REQUIREMENTS

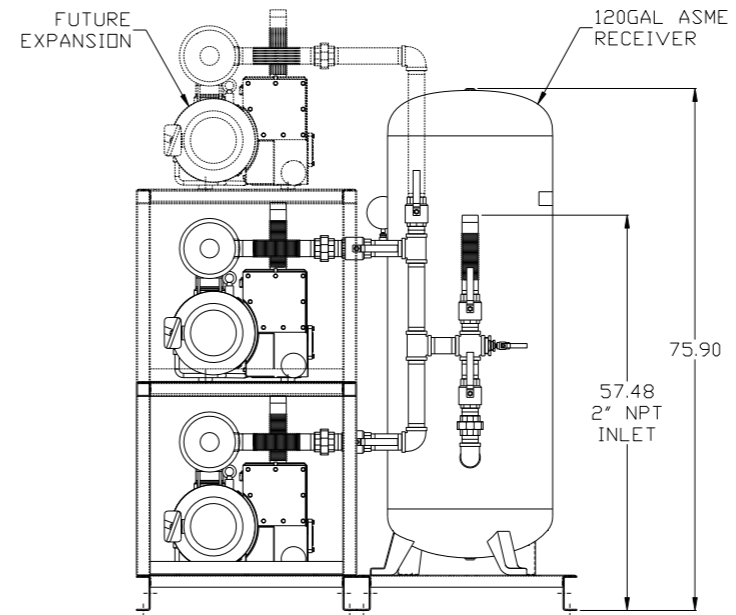
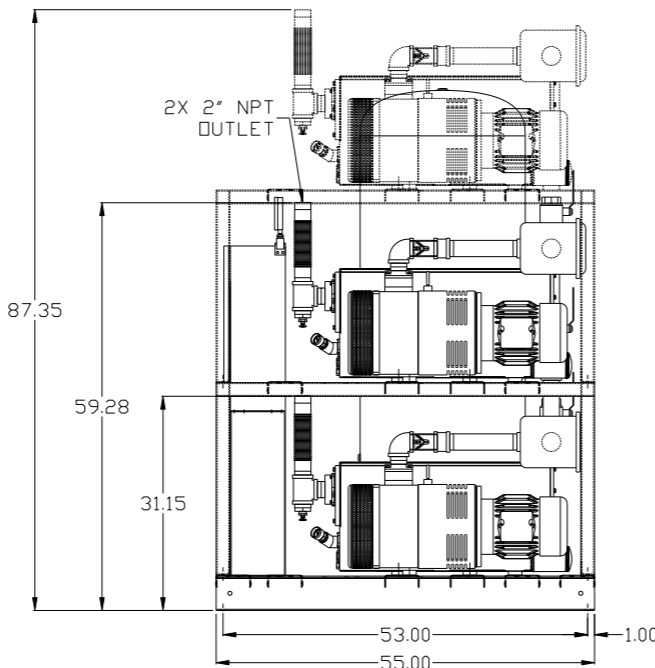


MINIMUM RECOMMENDED MAINTENANCE CLEARANCE

EXPANSION UNIT AND TOP FRAME NOT SHOWN IN TOP VIEW FOR CLARITY



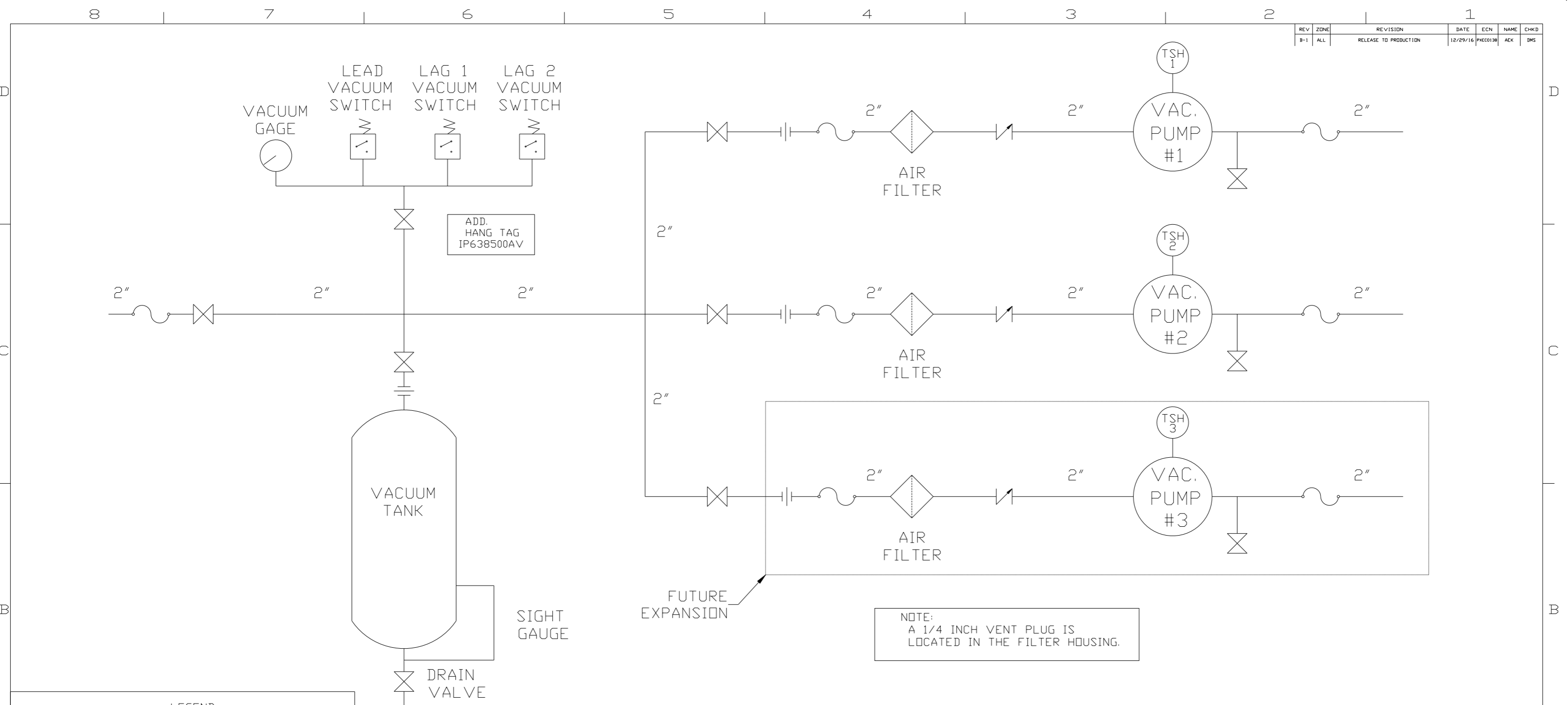
8X ø.75



NOTE: SYSTEM DESIGNED IN COMPLIANCE WITH U.S. NFPA '99, LATEST EDITION.

<b>SYMBOL LEGEND</b> ⊖ = MINUS DRAFT ⊕ = PLUS DRAFT ∅ = ADDITIONAL CONTROL REQ'D HRC = BRINELL HARDNESS		Drawings to conform to the current revision of the following ANSI standards: Y14.3 Multi and sectional view dgs. Y14.5M Dimensioning and tolerancing	
TOLERANCES NOT SPECIFIED .XX ± .XXX ± <math>\angle</math>(DEG) ±		AUTOCAD REL2014 LT INCH DO NOT SCALE DRAWING FOR DIMENSIONS Sheet 1 of 2 SCALE 1:14	
CONFIDENTIAL DISCLOSURE This drawing is the property of POWEREX, INC. of the SCOTT FEITZER COMPANY and subject to return on demand. Its contents are confidential and must not be copied or submitted to outside parties for use or examination.			
DRAWN BY AEK		CHECKED BY DMS	
APPROVED BY KMD		ENGINEERING MFG/MKTG RJR	
MATERIAL N/A		DATE 12/29/16	
PART NAME 5HP VAC DUPLEX EXPANDABLE 120GAL PACKAGE		DWG NO VPD0504-EX3	

REV	ZONE	REVISION	DATE	ECN	NAME	CHKD
B-1	ALL	RELEASE TO PRODUCTION	12/29/16	PKC0138	AEK	DMS



NOTE:  
A 1/4 INCH VENT PLUG IS  
LOCATED IN THE FILTER HOUSING.

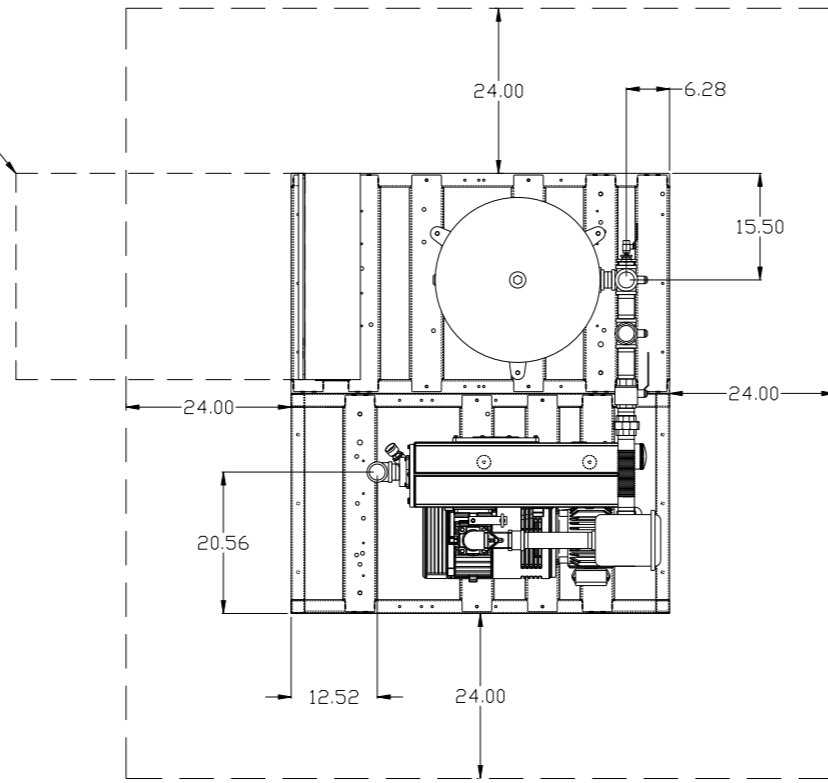
LEGEND	
	TEMP. SWITCH
	LOW OIL LEVEL SW.
	AIR FILTER
	BALL VALVE
	SOLENOID VALVE
	VACUUM SWITCH
	CHECK VALVE
	FLEX LINE
	UNION

NOTES:  
1) TSH - TEMPERATURE SWITCH HIGH  
2) PER NFPA THE SYSTEM WILL REQUIRE A SOURCE VALVE (SUPPLIED BY OTHERS).

SYMBOL LEGEND ⊖ = MINUS DRAFT ⊕ = PLUS DRAFT TOLERANCES NOT SPECIFIED .XX ± .XXX ± << DEG > ±		ADDITIONAL CONTROL REQ'D BRINELL HARDNESS		Drawings to conform to the current revision of the following ANSI standards Y14.3 Multi and sectional view dgs. Y14.5M Dimensioning and tolerancing	
AUTOCAD REL2014 LT INCH		DO NOT SCALE DRAWING FOR DIMENSIONS Sheet 2 of 2 SCALE 1: 14		CONFIDENTIAL DISCLOSURE This drawing is the property of POWEREX, INC. of the SCOTT FETZER COMPANY and subject to return on demand. Its contents are confidential and must not be copied or submitted to outside parties for use or examination.	
DRAWN BY AEK		CHECKED BY DMS		APPROVED BY ENGINEERING MFG/MRKTG KMD RJR	
MATERIAL N/A		DATE 12/29/16		DATE 12/29/16	
PART NAME DUPLEX EXPANDABLE VAC PACKAGE		DWG NO VPD0504-EX3		SIZE D	
FLOW SCHEMATIC		POWEREX 150 PRODUCTION DRIVE, HARRISON, OHIO 45030 Ph 888-769-7979 FAX (513) 367-3125			

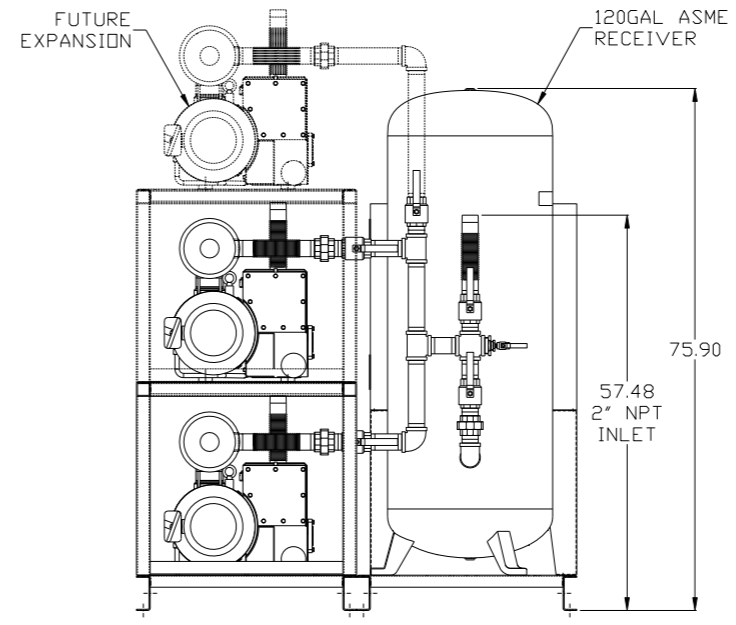
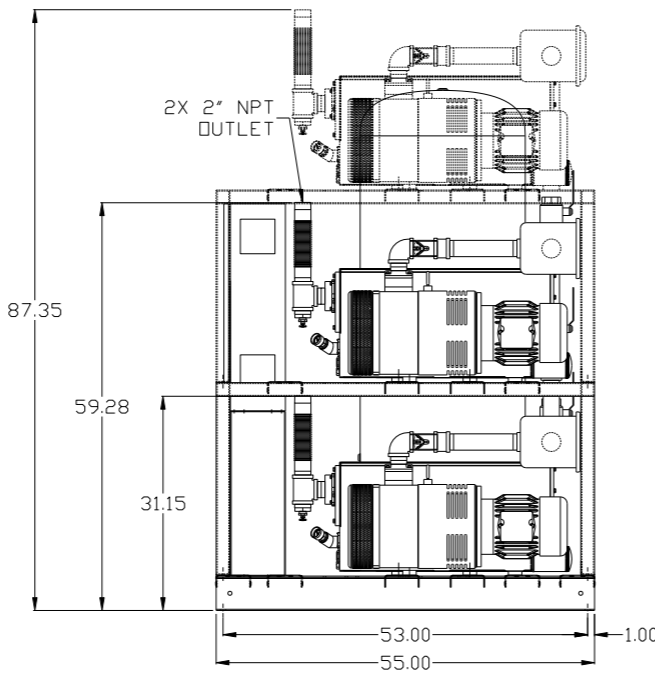
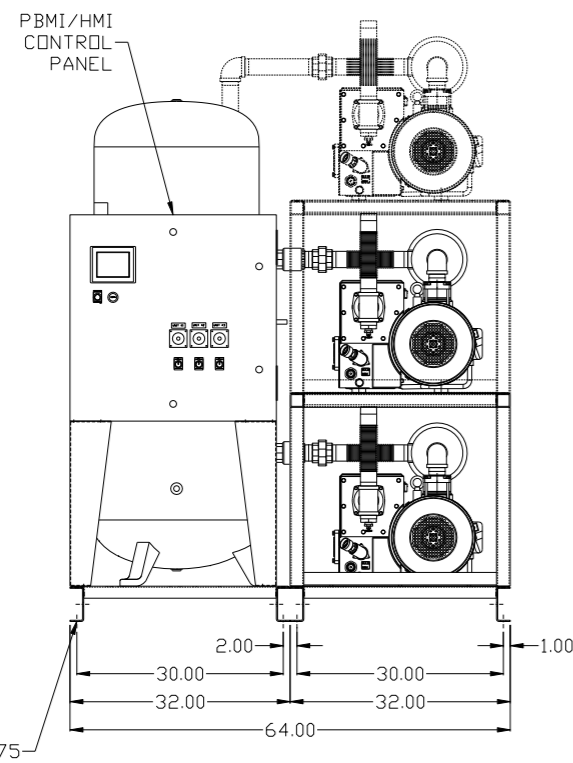
REV	ZONE	REVISION	DATE	ECN	NAME	CHKD
B-1	ALL	RELEASE TO PRODUCTION	12/29/16	PXEC0138	AEK	DMS

MINIMUM RECOMMENDED ELECTRICAL PANEL CLEARANCE PER OSHA/NEC REQUIREMENTS



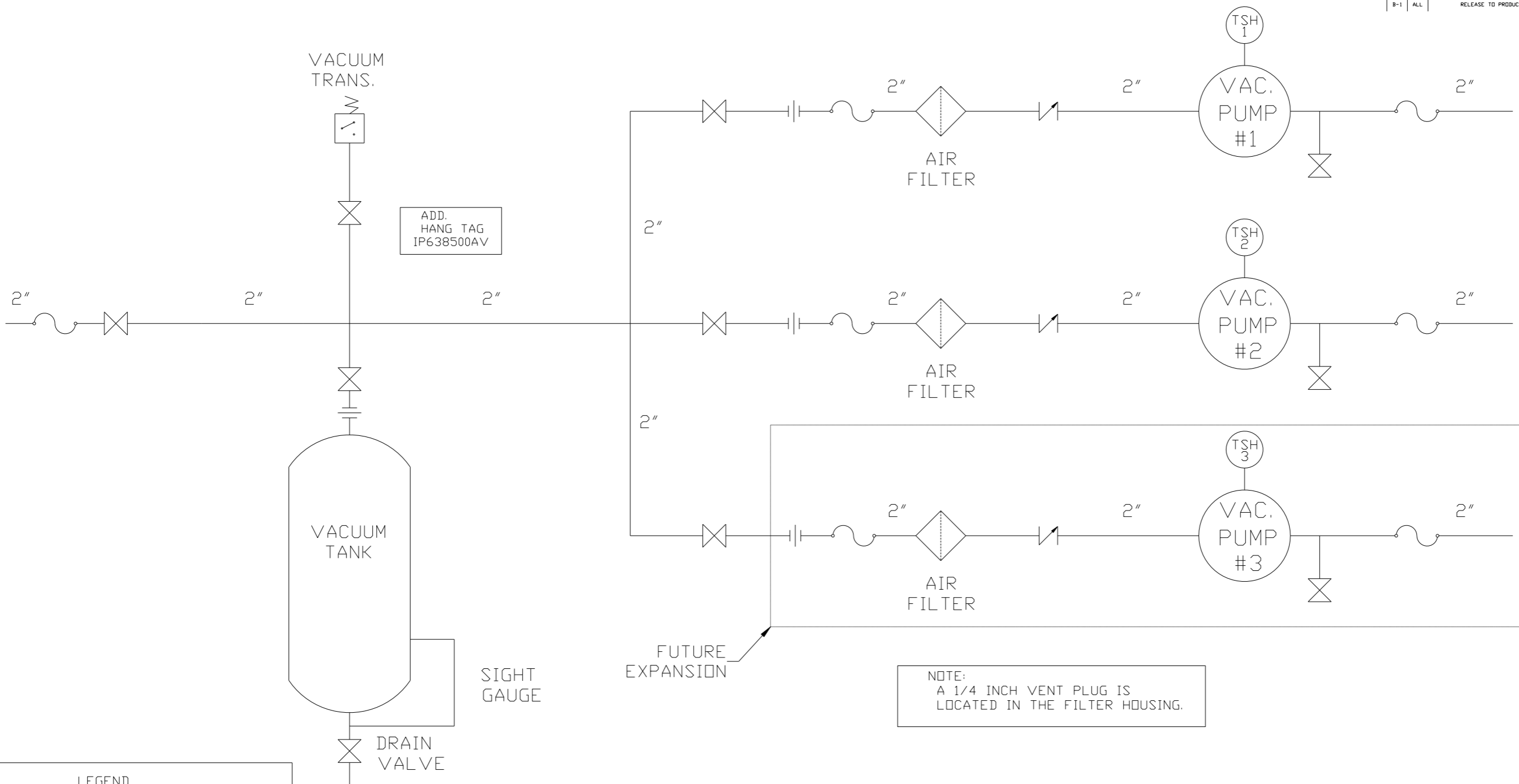
MINIMUM RECOMMENDED MAINTENANCE CLEARANCE

EXPANSION UNIT AND TOP FRAME NOT SHOWN IN TOP VIEW FOR CLARITY



<b>SYMBOL LEGEND</b> ⊖ = MINUS DRAFT ⊕ = PLUS DRAFT <math>\angle</math> (DEG) ±		= ADDITIONAL CONTROL REQ'D = BRINELL HARDNESS		Drawings to conform to the current revision of the following ANSI standards: Y14.3 Multi and sectional view dgs. Y14.5M Dimensioning and tolerancing	
TOLERANCES NOT SPECIFIED .XX ± .XXX ± <math>\angle</math> (DEG) ±		AUTOCAD REL2014 LT INCH		DO NOT SCALE DRAWING FOR DIMENSIONS Sheet 1 of 2 SCALE 1:14	
CONFIDENTIAL DISCLOSURE This drawing is the property of POWEREX, INC. of the SCOTT FEITZER COMPANY and subject to return on demand. Its contents are confidential and must not be copied or submitted to outside parties for use or examination.					
DRAWN BY AEK		CHECKED BY DMS		APPROVED BY ENGINEERING MFG/MKTG KMD RJR	
MATERIAL N/A		DATE 12/29/16		DATE 12/29/16	
PART NAME 5HP VAC DUPLEX EXPANDABLE 120GAL PACKAGE		DWG NO VPD0504-EX3		SIZE D	

REV	ZONE	REVISION	DATE	ECN	NAME	CHKD
B-1	ALL	RELEASE TO PRODUCTION	12/29/16	PKC0138	AEK	DMS



ADD.  
HANG TAG  
IP638500AV

NOTE:  
A 1/4 INCH VENT PLUG IS  
LOCATED IN THE FILTER HOUSING.

LEGEND

	TEMP. SWITCH		VACUUM SWITCH
	LOW OIL LEVEL SW.		CHECK VALVE
	AIR FILTER		FLEX LINE
	BALL VALVE		UNION
	SOLENOID VALVE		

NOTES:  
1) TSH - TEMPERATURE SWITCH HIGH  
2) PER NFPA THE SYSTEM WILL REQUIRE A SOURCE VALVE (SUPPLIED BY OTHERS).

SYMBOL LEGEND ⊖ = MINUS DRAFT ⊕ = PLUS DRAFT TOLERANCES NOT SPECIFIED .XX ± .XXX ± << DEG > ±		ADDITIONAL CONTROL REQ'D BRINELL HARDNESS		Drawings to conform to the current revision of the following ANSI standards Y14.3 Multi and sectional view dgs. Y14.5M Dimensioning and tolerancing	
AUTOCAD REL2014 LT INCH		DO NOT SCALE DRAWING FOR DIMENSIONS Sheet 2 of 2 SCALE 1: 14		CONFIDENTIAL DISCLOSURE This drawing is the property of POWEREX, INC. of the SCOTT FETZER COMPANY and subject to return on demand. Its contents are confidential and must not be copied or submitted to outside parties for use or examination.	
DRAWN BY AEK		CHECKED BY DMS		APPROVED BY ENGINEERING MFG/MRKTG KMD RJR	
MATERIAL N/A		DATE 12/29/16		DATE 12/29/16	
PART NAME DUPLEX EXPANDABLE VAC PACKAGE		DWG NO VPD0504-EX3		SIZE D	
FLOW SCHEMATIC		POWEREX 150 PRODUCTION DRIVE, HARRISON, OHIO 45030 Ph 888-769-7979 FAX (513) 367-3125			