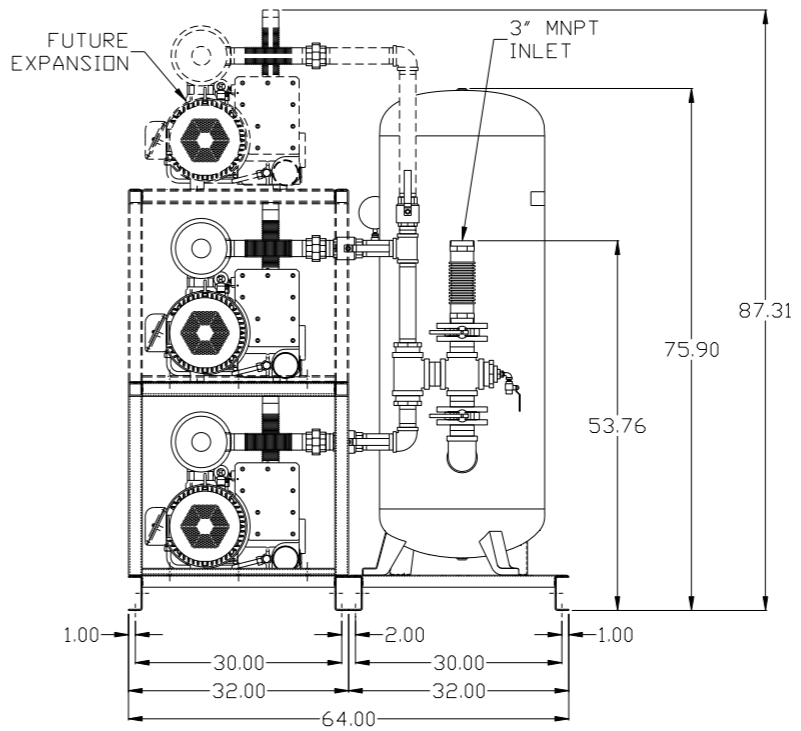
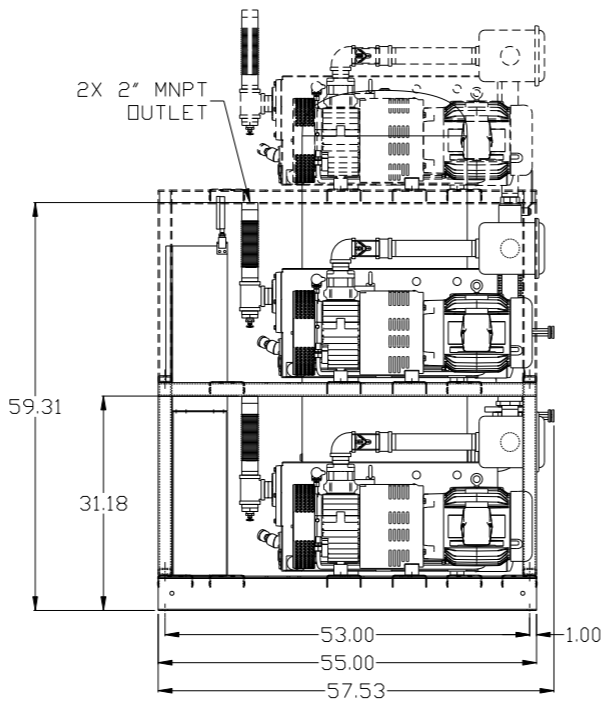
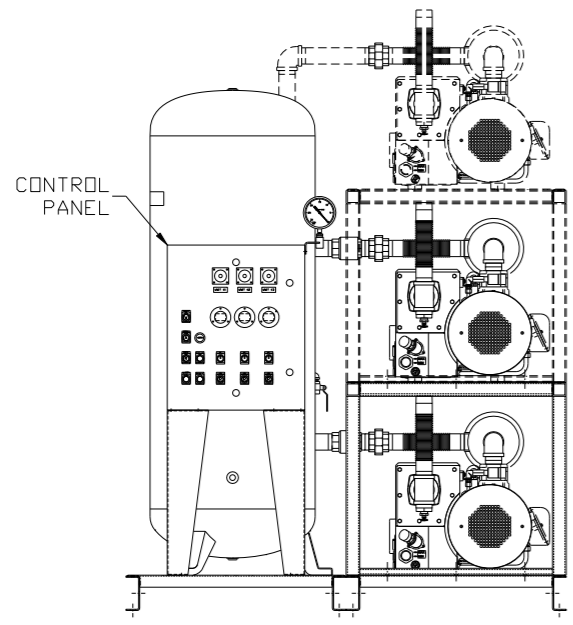
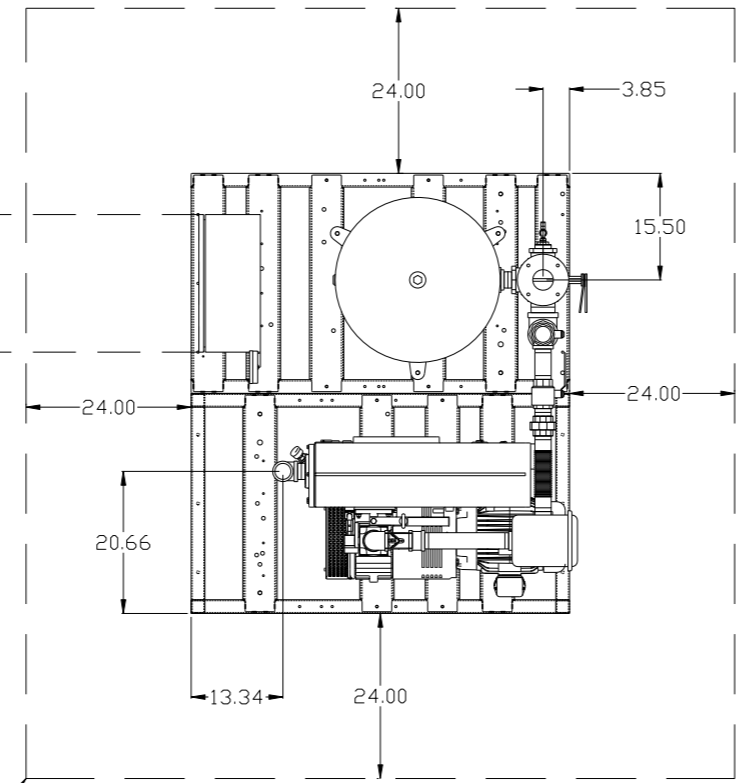


REV	ZONE	REVISION	DATE	ECN	NAME	CHKD
B-1	ALL	RELEASE TO PRODUCTION	12/29/16	PKC0138	AEK	DMS

MINIMUM RECOMMENDED ELECTRICAL PANEL CLEARANCE PER OSHA/NEC REQUIREMENTS

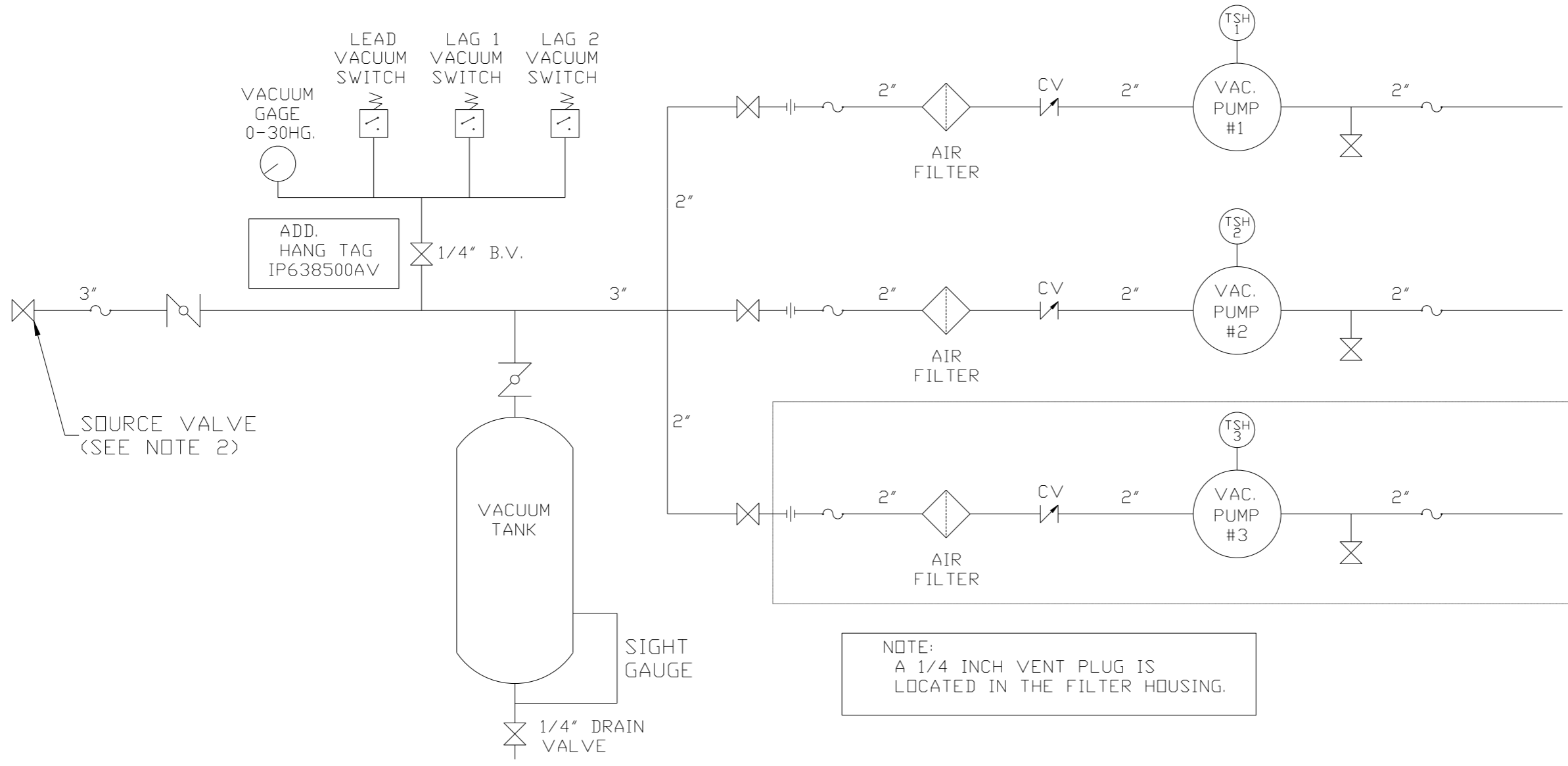
MINIMUM RECOMMENDED MAINTENANCE CLEARANCE

EXPANSION UNIT AND TOP FRAME NOT SHOWN IN TOP VIEW FOR CLARITY



SYMBOL LEGEND ⊖ = MINUS DRAFT ⊕ = PLUS DRAFT Ⓢ = ADDITIONAL CONTROL REQ'D Ⓢ = BRINELL HARDNESS		Drawings to conform to the current revision of the following ANSI standards: Y14.3 Multi and sectional view dgs. Y14.5M Dimensioning and tolerancing	
TOLERANCES NOT SPECIFIED .XX ± .XXX ± \angle DEG ±		DO NOT SCALE DRAWING FOR DIMENSIONS Sheet 1 of 2 SCALE 1:14	
CONFIDENTIAL DISCLOSURE This drawing is the property of POWEREX, INC. of the SCOTT FETZER COMPANY and subject to return on demand. Its contents are confidential and must not be copied or submitted to outside parties for use or examination.		AUTOCAD REL2014 LT INCH	
MATERIAL N/A		PART NAME 7.5HP VAC DUPLEX 120GAL EXPANDABLE	
DRAWN BY AEK		CHECKED BY DMS	
12/29/16		APPROVED BY ENGINEERING MFG/MKTG KMD RJR 12/29/16 12/29/16	
DWG NO VPD0754-EX3		SIZE D	

REV	ZONE	REVISION	DATE	ECN	NAME	CHKD
B-1	ALL	RELEASE TO PRODUCTION	12/29/16	PXEC0138	AEK	DMS



NOTE:
A 1/4 INCH VENT PLUG IS
LOCATED IN THE FILTER HOUSING.

SOURCE VALVE
(SEE NOTE 2)

FUTURE
EXPANSION

LEGEND	
	TEMP. SWITCH
	VACUUM SWITCH
	AIR FILTER
	BALL VALVE
	BUTTERFLY VALVE
	CHECK VALVE
	FLEX LINE
	UNION

NOTES:
1) TSH - TEMPERATURE SWITCH HIGH
2) PER NFPA THE SYSTEM WILL REQUIRE A SOURCE VALVE (SUPPLIED BY OTHERS).

SYMBOL LEGEND			ADDITIONAL CONTROL REQ'D	Drawings to conform to the current revision of the following ANSI standards: Y14.3 Multi and sectional view dgs. Y14.5M Dimensioning and tolerancing
	MINUS DRAFT		BRINELL HARDNESS	
TOLERANCES NOT SPECIFIED		AUTOCAD REL2014 LT	DO NOT SCALE DRAWING FOR DIMENSIONS	
.XX ±	.XXX ±	<<DEG> ±	INCH	SCALE 1:14
CONFIDENTIAL DISCLOSURE This drawing is the property of POWEREX, INC. of the SCOTT FETZER COMPANY and subject to return on demand. Its contents are confidential and must not be copied or submitted to outside parties for use or examination.		DRAWN BY AEK	CHECKED BY DMS	APPROVED BY ENGINEERING KMD MFG/MKTG RJR
MATERIAL N/A		12/29/16	12/29/16	12/29/16
PART NAME VAC PKG DUPLEX EXP FLOW SCHEMATIC		DWG NO VPD0754-EX3		SIZE D

8

7

6

5

4

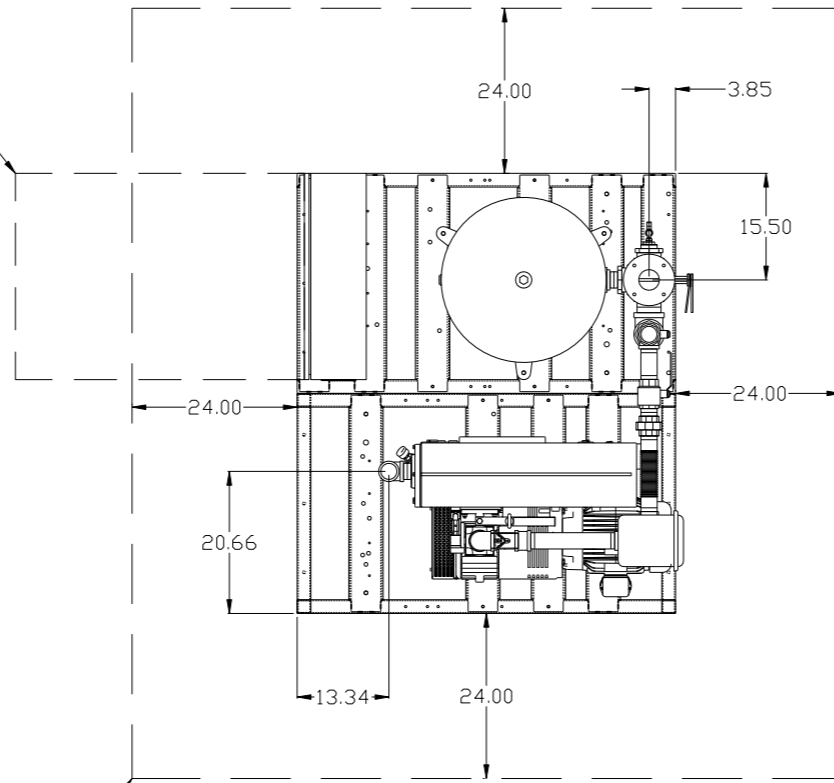
3

2

1

REV	ZONE	REVISION	DATE	ECN	NAME	CHKD

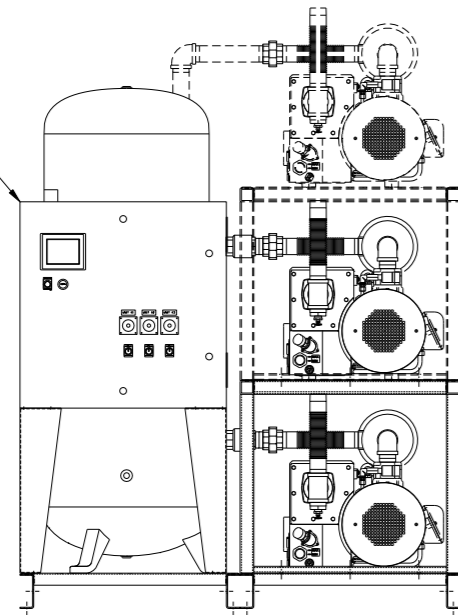
MINIMUM RECOMMENDED
ELECTRICAL PANEL
CLEARANCE PER OSHA/NEC
REQUIREMENTS



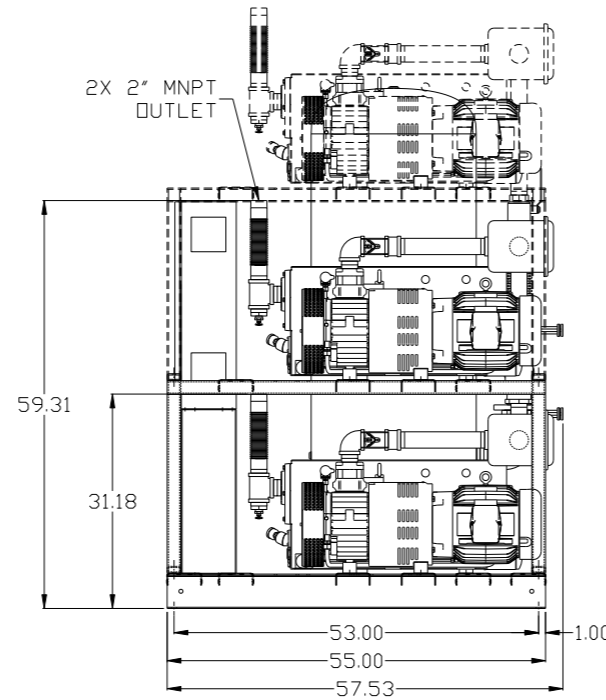
EXPANSION UNIT AND TOP FRAME NOT SHOWN
IN TOP VIEW FOR CLARITY

MINIMUM RECOMMENDED
MAINTENANCE CLEARANCE

PBMI
CONTROL
PANEL

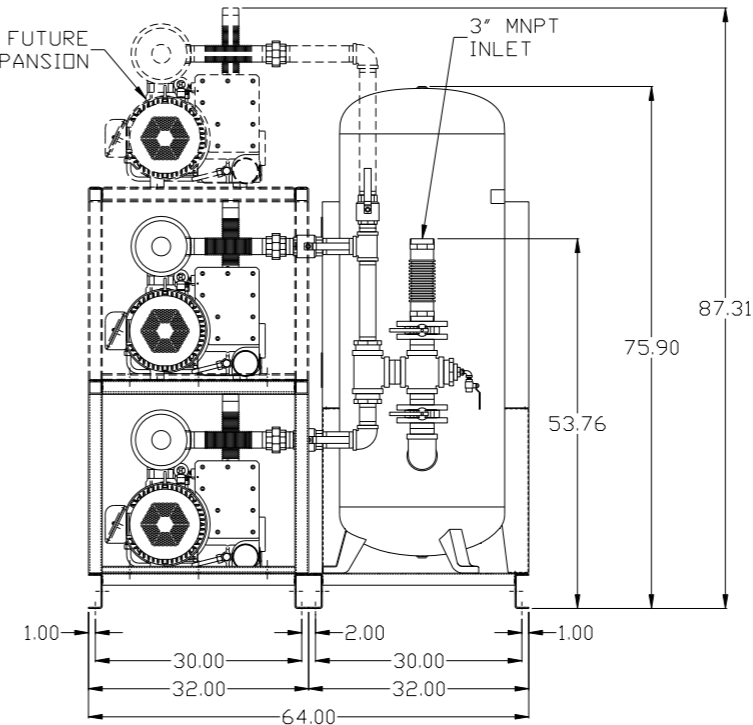


2X 2" MNPT
OUTLET



FUTURE
EXPANSION

3" MNPT
INLET



SYMBOL LEGEND ⊖ = MINUS DRAFT ⊕ = PLUS DRAFT \angle (DEG) ±		= ADDITIONAL CONTROL REQ'D = BRINELL HARDNESS		Drawings to conform to the current revision of the following ANSI standards: Y14.3 Multi and sectional view dgs. Y14.5M Dimensioning and tolerancing
TOLERANCES NOT SPECIFIED .XX ± .XXX ± \angle (DEG) ±		AUTOCAD REL2008 LT INCH		DO NOT SCALE DRAWING FOR DIMENSIONS Sheet 1 of 2 SCALE 1:14
CONFIDENTIAL DISCLOSURE This drawing is the property of POWEREX, INC. of the SCOTT FETZER COMPANY and subject to return on demand. Its contents are confidential and must not be copied or submitted to outside parties for use or examination.				
DRAWN BY AEK		CHECKED BY GES		APPROVED BY ENGINEERING MFG/MKTG DMS RJR
MATERIAL N/A		DATE 12/15/14		DATE 12/15/14
PART NAME 7.5HP. VACUUM 120GAL EXPANDABLE		DWG NO VPD0754-EXP		SIZE D

8

7

6

5

4

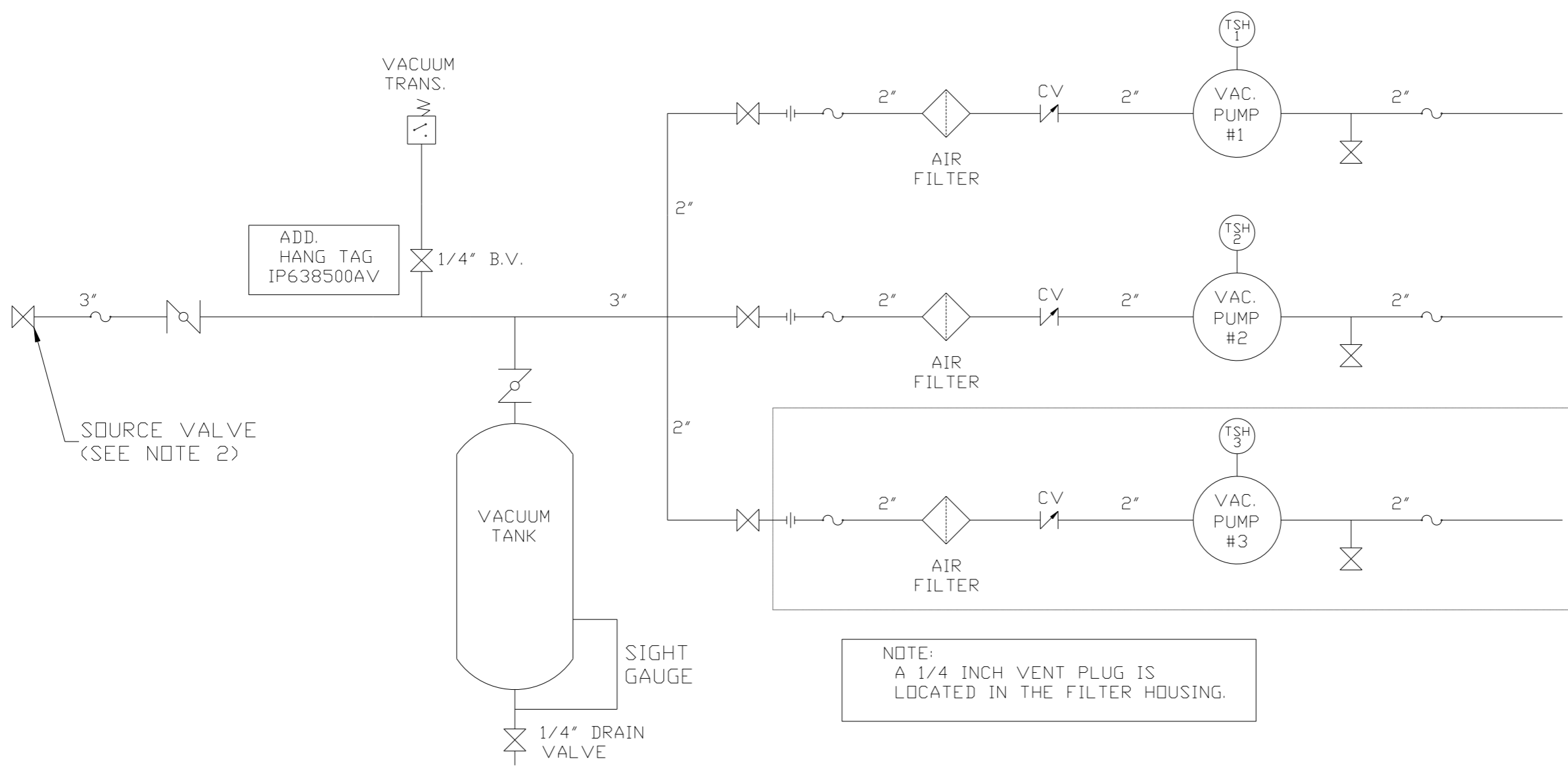
3

2

1

VPD0754-EXP.dwg

REV	ZONE	REVISION	DATE	ECN	NAME	CHKD



ADD.
HANG TAG
IP638500AV

SOURCE VALVE
(SEE NOTE 2)

VACUUM
TANK

SIGHT
GAUGE

1/4" DRAIN
VALVE

NOTE:
A 1/4 INCH VENT PLUG IS
LOCATED IN THE FILTER HOUSING.

FUTURE
EXPANSION

LEGEND	
	TEMP. SWITCH
	AIR FILTER
	BALL VALVE
	BUTTERFLY VALVE
	VACUUM SWITCH
	CHECK VALVE
	FLEX LINE
	UNION

NOTES:
1) TSH - TEMPERATURE SWITCH HIGH
2) PER NFPA THE SYSTEM WILL REQUIRE A SOURCE VALVE (SUPPLIED BY OTHERS).

SYMBOL LEGEND = MINUS DRAFT = PLUS DRAFT = ADDITIONAL CONTROL REQ'D = BRINELL HARDNESS		Drawings to conform to the current revision of the following ANSI standards: Y14.3 Multi and sectional view dsgs. Y14.5M Dimensioning and tolerancing	
TOLERANCES NOT SPECIFIED .XX ± .XXX ± \angle (DEG) ±		AUTOCAD REL2008 LT INCH DO NOT SCALE DRAWING FOR DIMENSIONS Sheet 2 of 2 SCALE 1:14	
CONFIDENTIAL DISCLOSURE This drawing is the property of POWEREX, INC. of the SCOTT FETZER COMPANY and subject to return on demand. Its contents are confidential and must not be copied or submitted to outside parties for use or examination.			
DRAWN BY AEK 12/15/14	CHECKED BY GES 12/15/14	APPROVED BY DMS 12/15/14	MFG/MKTG RJR 12/15/14
MATERIAL N/A		 150 PRODUCTION DRIVE, HARRISON, OHIO 45030 Ph: 888-769-7979 FAX: (513) 367-3125	
PART NAME VAC PKG DUPLEX EXP FLOW SCHEMATIC		DWG NO VPD0754-EXP	SIZE D