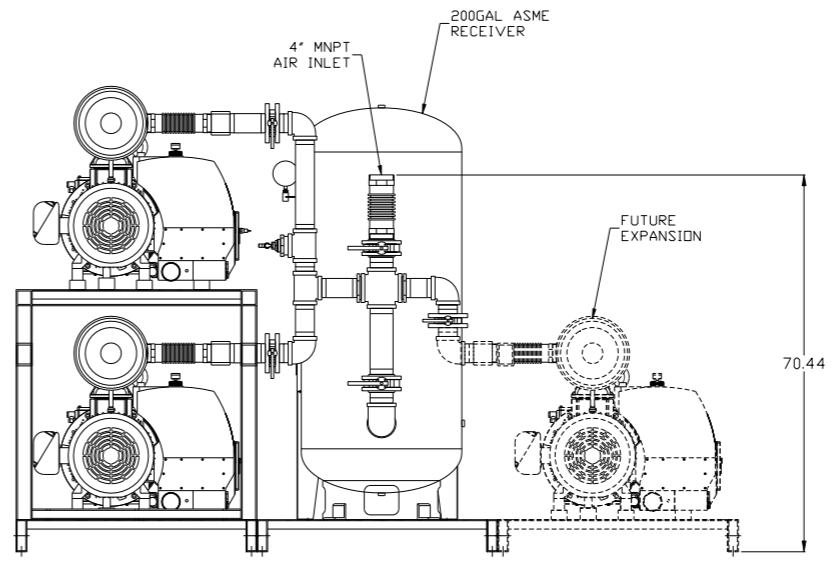
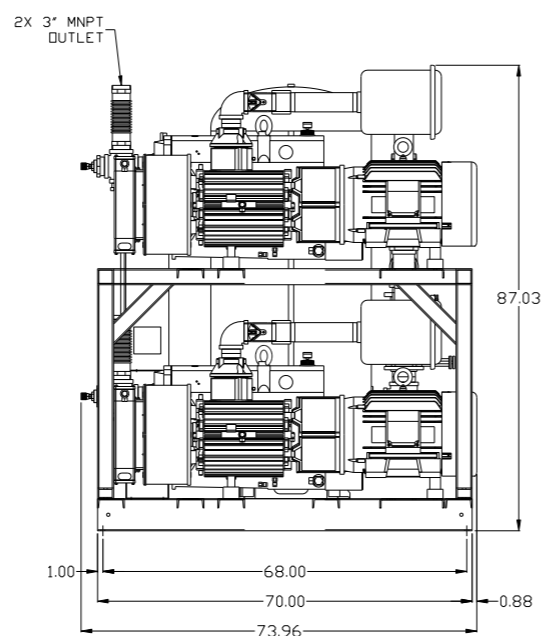
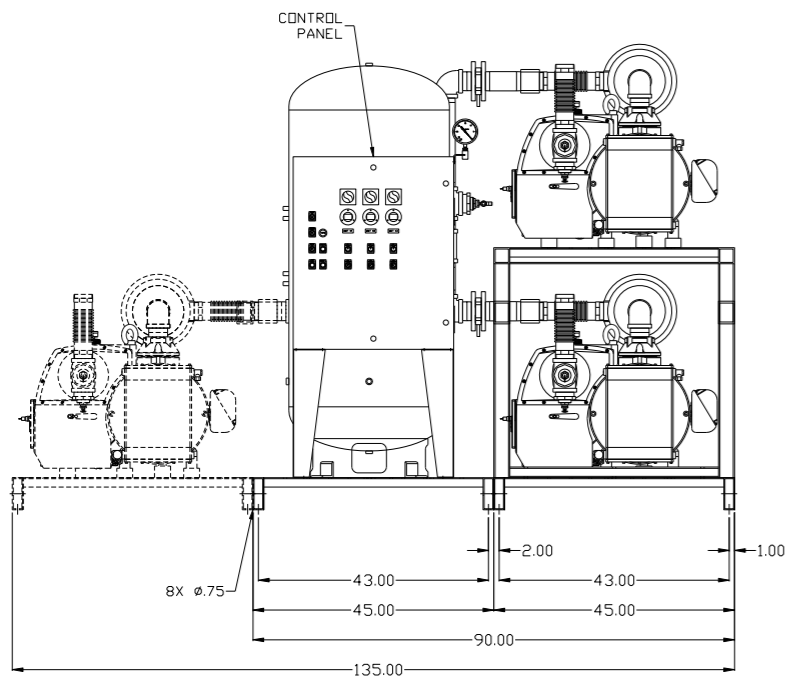
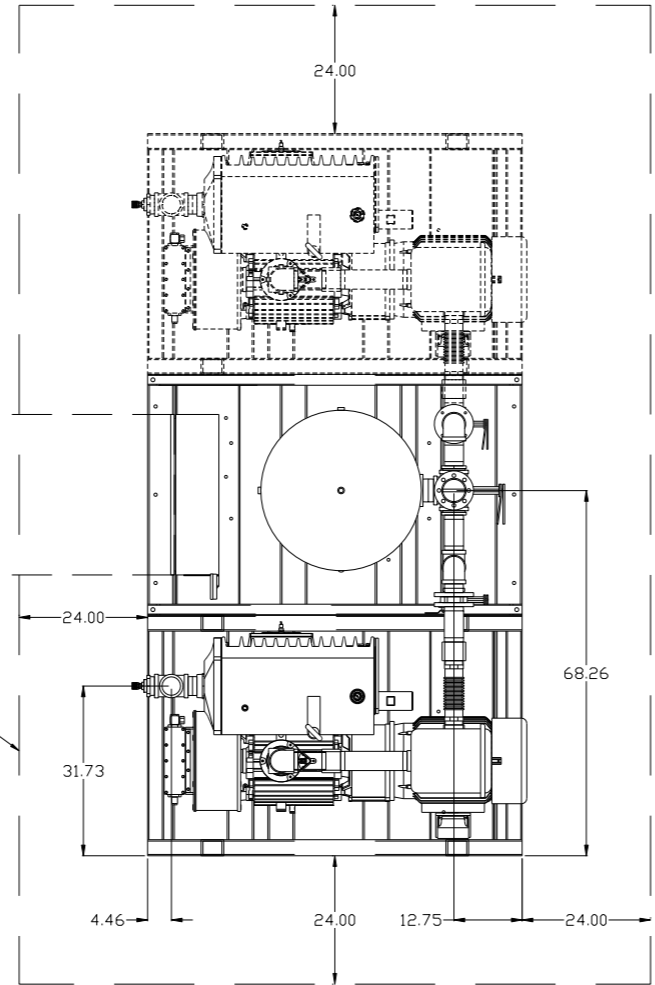


REV	ZONE	REVISION	DATE	ECN	NAME	CHKD
B-1	ALL	RELEASE TO PRODUCTION	3/28/17	PKC0186	GES	MAH

MINIMUM RECOMMENDED ELECTRICAL PANEL CLEARANCE PER OSHA/NEC

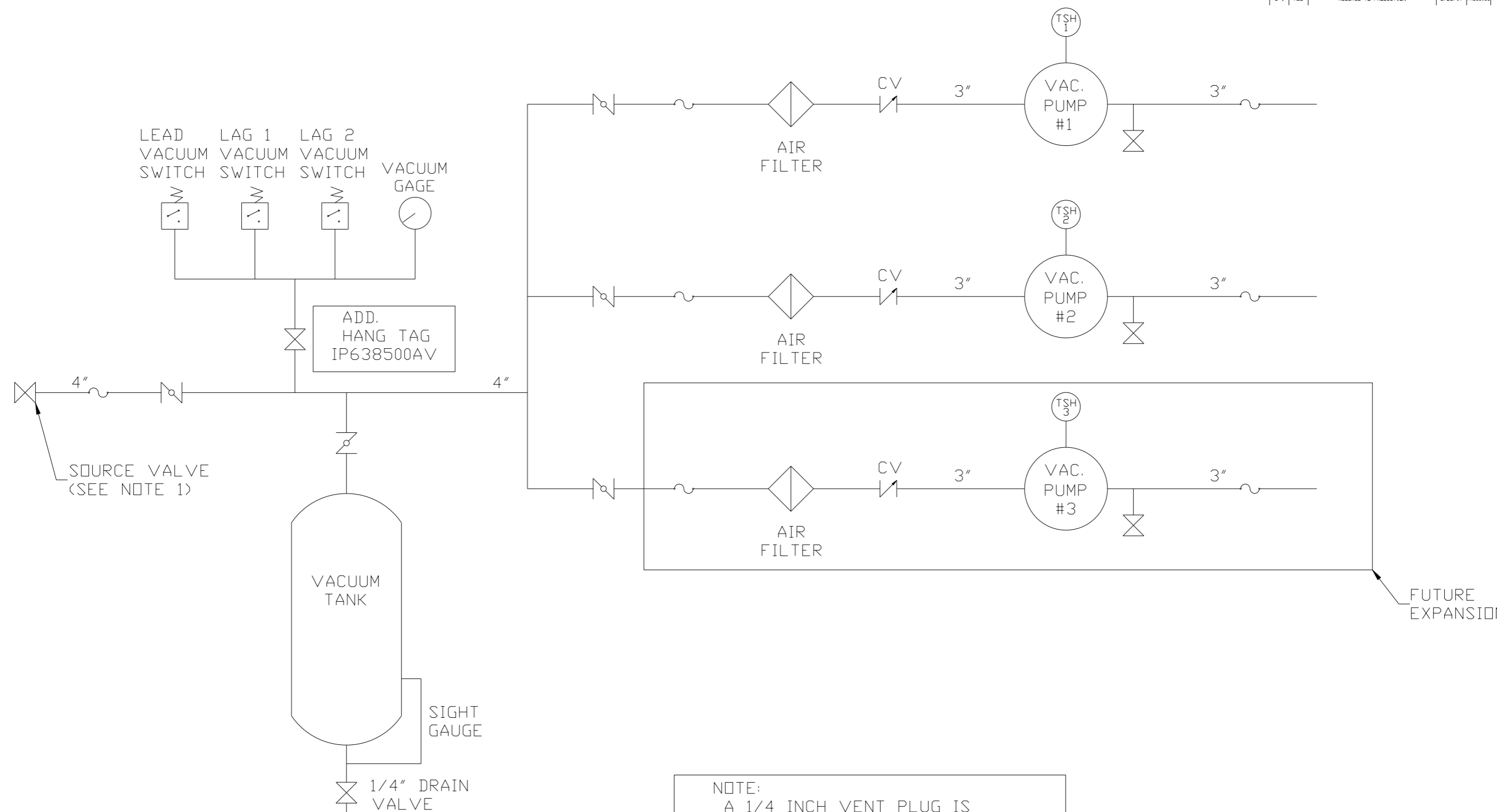
MINIMUM RECOMMENDED MAINTENANCE CLEARANCE



NOTE: SYSTEM DESIGNED IN COMPLIANCE WITH U.S. NFPA '99, LATEST EDITION.

SYMBOL LEGEND ⊖ = MINUS DRAFT ⊕ = PLUS DRAFT ∅ = ADDITIONAL CONTROL REQ'D HRC = BRINELL HARDNESS		Drawings to conform to the current revision of the following ANSI standards: Y14.3 Multi and sectional view dgs. Y14.5M Dimensioning and tolerancing	
TOLERANCES NOT SPECIFIED .XX ± .XXX ± \angle(DEG) ±		DO NOT SCALE DRAWING FOR DIMENSIONS AUTOCAD REL2014 LT INCH Sheet 1 of 2 SCALE 1:18	
CONFIDENTIAL DISCLOSURE This drawing is the property of POWEREX, INC. of the SCOTT FEITZER COMPANY and subject to return on demand. Its contents are confidential and must not be copied or submitted to outside parties for use or examination.			
DRAWN BY GES		CHECKED BY MAH	
APPROVED BY KMD		ENGINEERING MFG/MKTG RJR	
DATE 3/28/17		DATE 3/28/17 3/28/17 3/28/17	
MATERIAL N/A		PART NAME 25HP DUPLEX VAC PACKAGE 200GAL EXP TO TRIPLEX	
DWG NO VPD2505-EX3		SIZE D	

REV	ZONE	REVISION	DATE	ECN	NAME	CHKD
B-1	ALL	RELEASE TO PRODUCTION	3/28/17	PKC0186	GES	MAH



NOTE:
A 1/4 INCH VENT PLUG IS
LOCATED IN THE FILTER HOUSING.

NOTES:
1) TSH - TEMPERATURE SWITCH HIGH
1) PER NFPA THE SYSTEM WILL REQUIRE A SOURCE VALVE (SUPPLIED BY OTHERS).

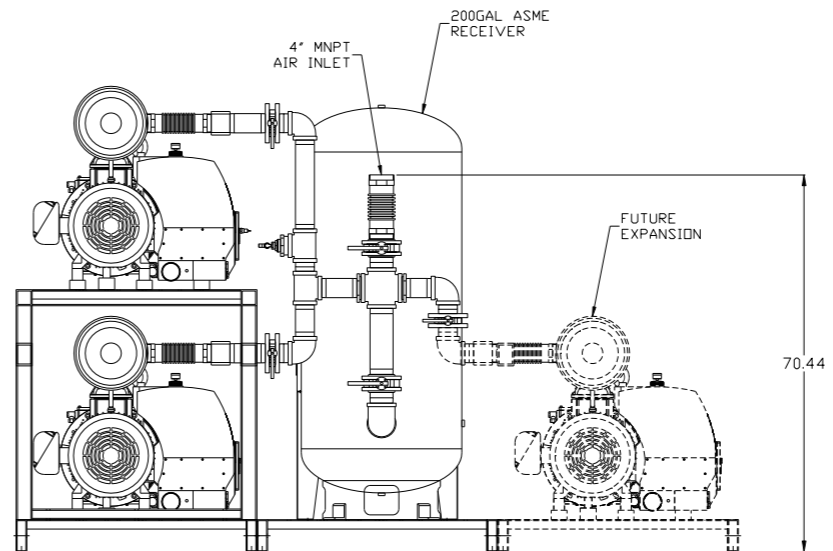
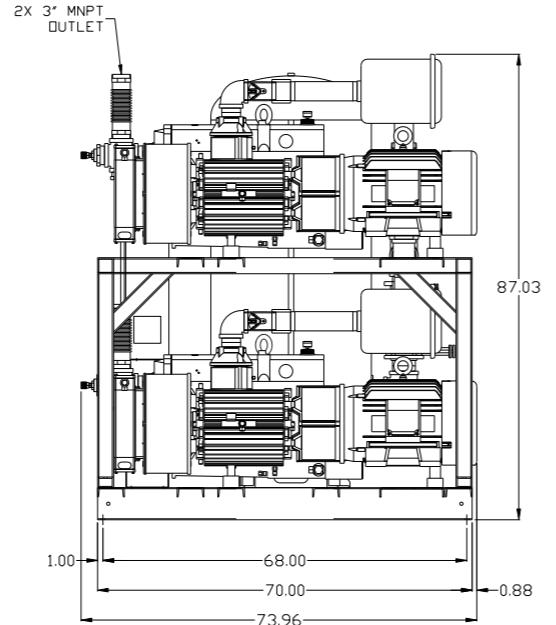
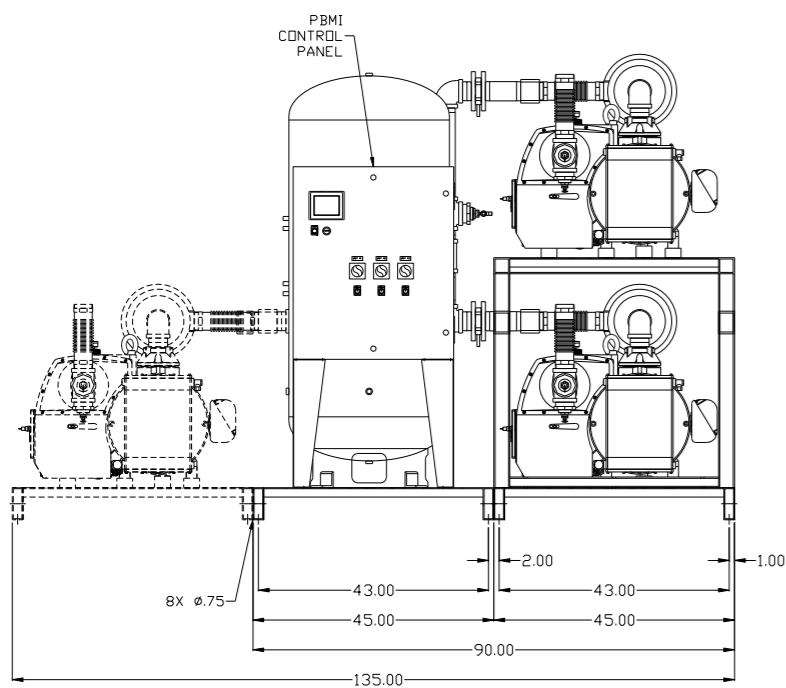
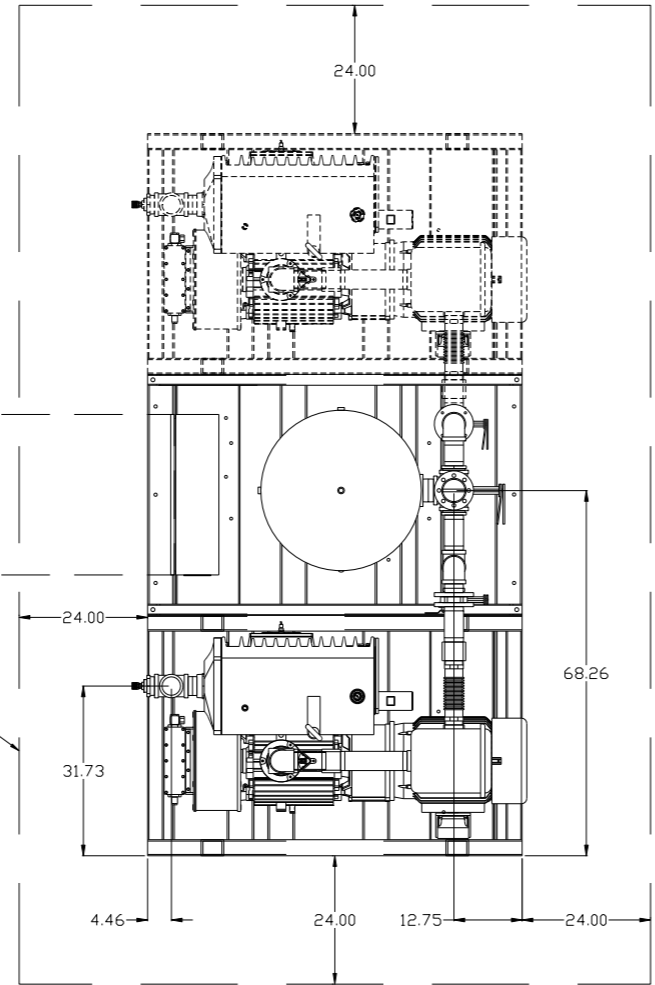
LEGEND	
	TEMP. SWITCH
	VACUUM SWITCH
	AIR FILTER
	BALL VALVE
	BUTTERFLY VALVE
	CHECK VALVE
	FLEX LINE
	UNION

<small>SYMBOL LEGEND</small> = MINUS DRAFT = PLUS DRAFT = ADDITIONAL CONTROL REQ'D = BRINELL HARDNESS		<small>Drawings to conform to the current revision of the following ANSI standards:</small> Y14.3 Multi and sectional view dgs. Y14.5M Dimensioning and tolerancing
<small>TOLERANCES NOT SPECIFIED</small> .XX ± .XXX ± \angle (DEG.) ±	<small>AUTOCAD</small> REL2014 LT INCH	<small>DO NOT SCALE DRAWING FOR DIMENSIONS</small> Sheet 2 of 2 SCALE 1: 18
<small>CONFIDENTIAL DISCLOSURE</small> This drawing is the property of POWEREX, INC. of the SCOTT FELTZER COMPANY and subject to return on demand. Its contents are confidential and must not be copied or submitted to outside parties for use or examination.		
<small>DRAWN BY</small> GES	<small>CHECKED BY</small> MAH	<small>APPROVED BY</small> ENGINEERING MFG/MRKTG KMD RJR
<small>MATERIAL</small> N/A	 150 PRODUCTION DRIVE, HARRISON, OHIO 45030 Ph: 888-769-7979 FAX: (513) 367-3125	
<small>PART NAME</small> DUPLEX VAC EXP TO TRIPLEX FLOW SCHEMATIC	<small>DWG NO</small> VPD2505-EX3	<small>SIZE</small> D

REV	ZONE	REVISION	DATE	ECN	NAME	CHKD
B-1	ALL	RELEASE TO PRODUCTION	3/28/17	PXEC0186	GES	MAH

MINIMUM RECOMMENDED ELECTRICAL PANEL CLEARANCE PER OSHA/NEC

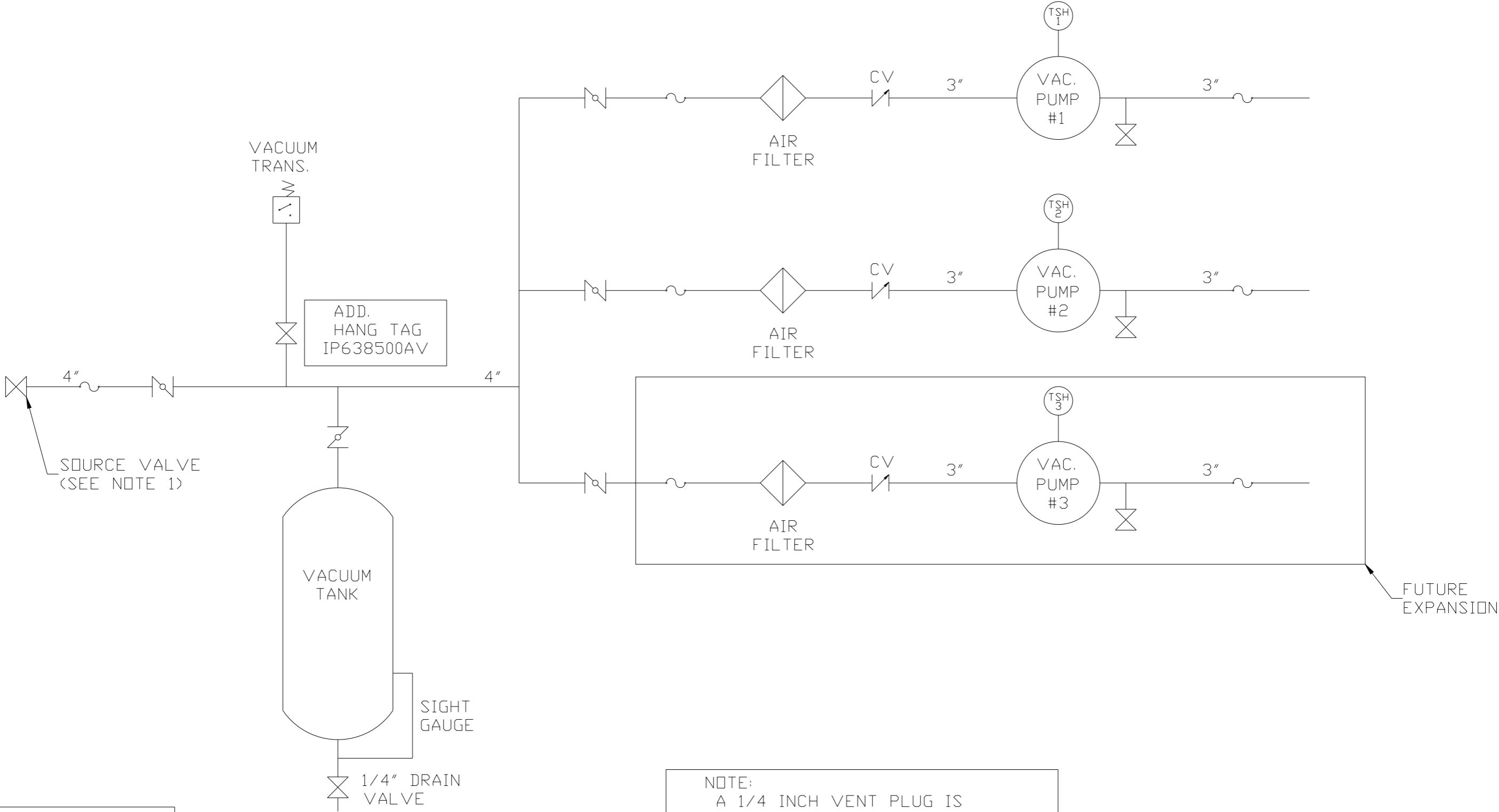
MINIMUM RECOMMENDED MAINTENANCE CLEARANCE



NOTE: SYSTEM DESIGNED IN COMPLIANCE WITH U.S. NFPA '99, LATEST EDITION.

SYMBOL LEGEND		DO NOT SCALE DRAWING FOR DIMENSIONS	
⊖ = MINUS DRAFT	⊕ = PLUS DRAFT	⊕ = ADDITIONAL CONTROL REQ'D	⊕ = BRINELL HARDNESS
TOLERANCES NOT SPECIFIED		SCALE	
.XX ±	.XXX ±	INCH	Sheet 1 of 2
\angle (DEG) ±			SCALE 1:18
<small>CONFIDENTIAL DISCLOSURE</small> This drawing is the property of POWEREX, INC. of the SCOTT FEITZER COMPANY and subject to return on demand. Its contents are confidential and must not be copied or submitted to outside parties for use or examination.		<small>DRAWN BY</small> GES	<small>CHECKED BY</small> MAH
		<small>APPROVED BY</small> KMD	<small>APPROVED BY</small> RJR
<small>MATERIAL</small> N/A		<small>DATE</small> 3/28/17	<small>DATE</small> 3/28/17
<small>PART NAME</small> 25HP DUPLEX VAC PACKAGE			
<small>200GAL EXP TO TRIPLEX</small>		<small>DWG NO</small> VPD2505-EX3	<small>SIZE</small> D

REV	ZONE	REVISION	DATE	ECN	NAME	CHKD
B-1	ALL	RELEASE TO PRODUCTION	3/28/17	PKC0186	GES	MAH



NOTE:
A 1/4 INCH VENT PLUG IS
LOCATED IN THE FILTER HOUSING.

NOTES:
1) TSH - TEMPERATURE SWITCH HIGH
1) PER NFPA THE SYSTEM WILL REQUIRE A SOURCE VALVE (SUPPLIED BY OTHERS).

LEGEND	
	TEMP. SWITCH
	AIR FILTER
	BALL VALVE
	BUTTERFLY VALVE
	VACUUM SWITCH
	CHECK VALVE
	FLEX LINE
	UNION

<small>SYMBOL LEGEND</small> = MINUS DRAFT = PLUS DRAFT = ADDITIONAL CONTROL REQ'D = BRINELL HARDNESS		<small>Drawings to conform to the current revision of the following ANSI standards:</small> Y14.3 Multi and sectional view dgs. Y14.5M Dimensioning and tolerancing												
<small>TOLERANCES NOT SPECIFIED</small> .XX ± .XXX ± <DEG> ±	<small>AUTOCAD</small> REL2014 LT INCH	<small>DO NOT SCALE DRAWING FOR DIMENSIONS</small> Sheet 2 of 2 SCALE 1: 18												
<small>CONFIDENTIAL DISCLOSURE</small> This drawing is the property of POWEREX, INC. of the SCOTT FELTZER COMPANY and subject to return on demand. Its contents are confidential and must not be copied or submitted to outside parties for use or examination.														
<small>MATERIAL</small> N/A	<small>PART NAME</small> DUPLEX VAC EXP TO TRIPLEX FLOW SCHEMATIC	<table border="1"> <tr> <th>DRAWN BY</th> <th>CHECKED BY</th> <th>APPROVED BY</th> <th>DATE</th> </tr> <tr> <td>GES</td> <td>MAH</td> <td>KMD</td> <td>RJR</td> </tr> <tr> <td>3/28/17</td> <td>3/28/17</td> <td>3/28/17</td> <td>3/28/17</td> </tr> </table>	DRAWN BY	CHECKED BY	APPROVED BY	DATE	GES	MAH	KMD	RJR	3/28/17	3/28/17	3/28/17	3/28/17
DRAWN BY	CHECKED BY	APPROVED BY	DATE											
GES	MAH	KMD	RJR											
3/28/17	3/28/17	3/28/17	3/28/17											
 150 PRODUCTION DRIVE, HARRISON, OHIO 45030 Ph: 888-769-7979 FAX: (513) 367-3125		<small>DWG NO</small> VPD2505-EX3 <small>SIZE</small> D												