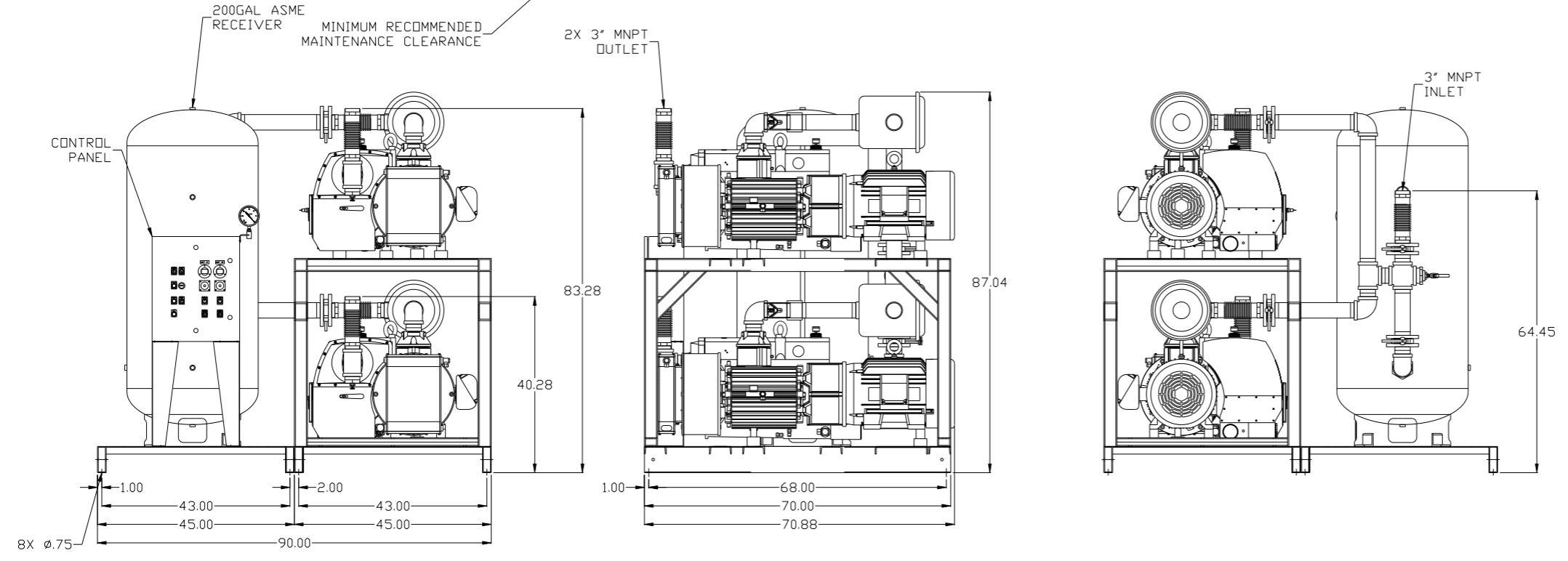
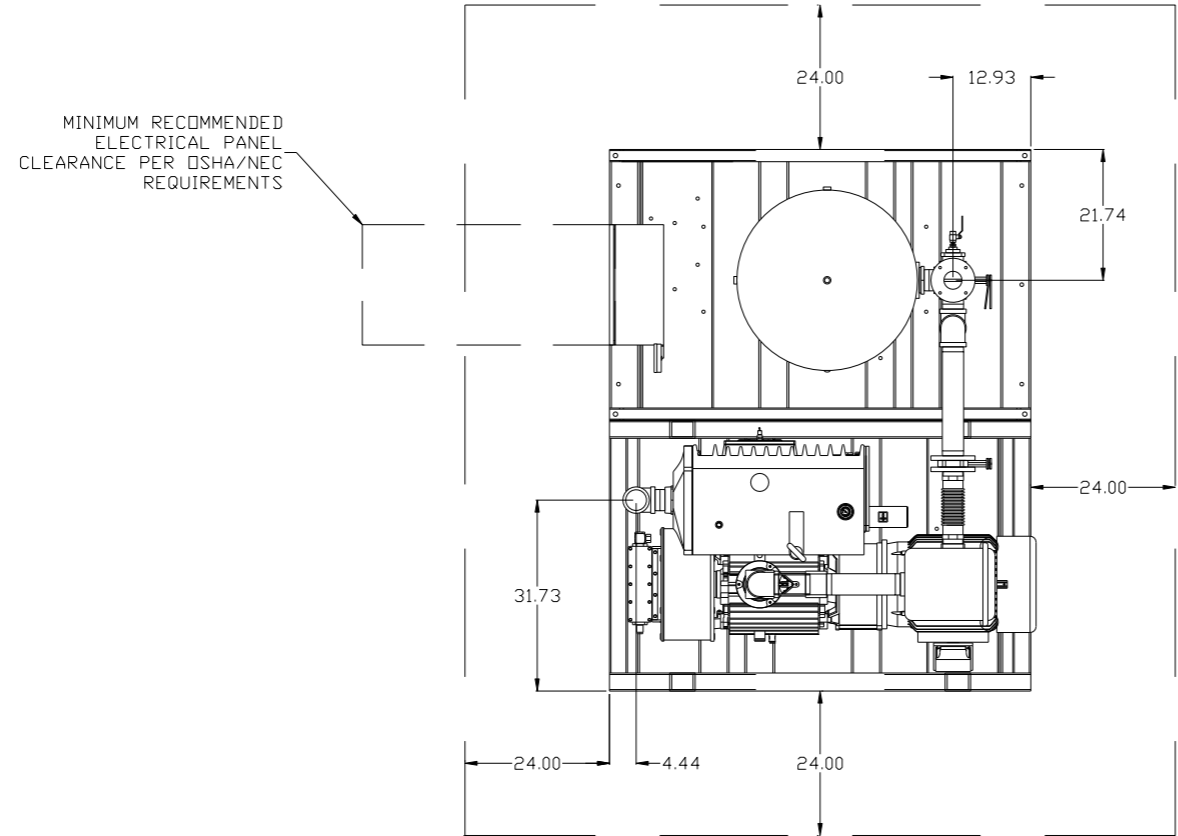


8 7 6 5 4 3 2 1

REV	ZONE	REVISION	DATE	ECN	NAME	CHKD
B-1	ALL	RELEASE TO PRODUCTION	4/28/08	21881	AEK	GES
C-1	2 ALL	REMOVED LOW OIL LIGHT OPTION	7/22/08	21906	AEK	GES
D-1	1 ALL	REMOVED VACUUM SWITCHES FROM PANEL	10/9/09	22127	AEK	GES
E-1	2 C2	ADDED DRIP LEGS	4/13/12	22723	AEK	GES
F-1	2 B5 2 ALL ALL ALL	ADDED SIGHT GAUGE ADDED SOURCE VALVE INFORMATION MADE HIGH TEMP STANDARD DN BASIC CONTROLS CHANGED 3" BV/JUNDS FD BUTTERFLY VALVES ADDED PBM SHEETS	12/17/14	PXEC0067	AEK	GES



**SYMBOL LEGEND**

⊖ = MINUS DRAFT      ⊕ = PLUS DRAFT      ⊕ = ADDITIONAL CONTROL REQ'D      ⊕ = BRINELL HARDNESS

TOLERANCES NOT SPECIFIED: .XX ±, .XXX ±, <math>\angle</math>(DEG) ±

AUTOCAD REL2008 LT

DO NOT SCALE DRAWING FOR DIMENSIONS

Sheet 1 of 2      SCALE 1:16

**CONFIDENTIAL DISCLOSURE**  
This drawing is the property of POWEREX, INC. of the SCOTT FETZER COMPANY and subject to return on demand. Its contents are confidential and must not be copied or submitted to outside parties for use or examination.

DRAWN BY	CHECKED BY	APPROVED BY	ENGINEERING	MFG/MKTG
AEK	GES	DMS	RJR	
4/28/08	4/28/08	4/28/08	4/28/08	4/28/08

MATERIAL: N/A

PART NAME: 25HP VAC PKG 200GAL DUPLEX

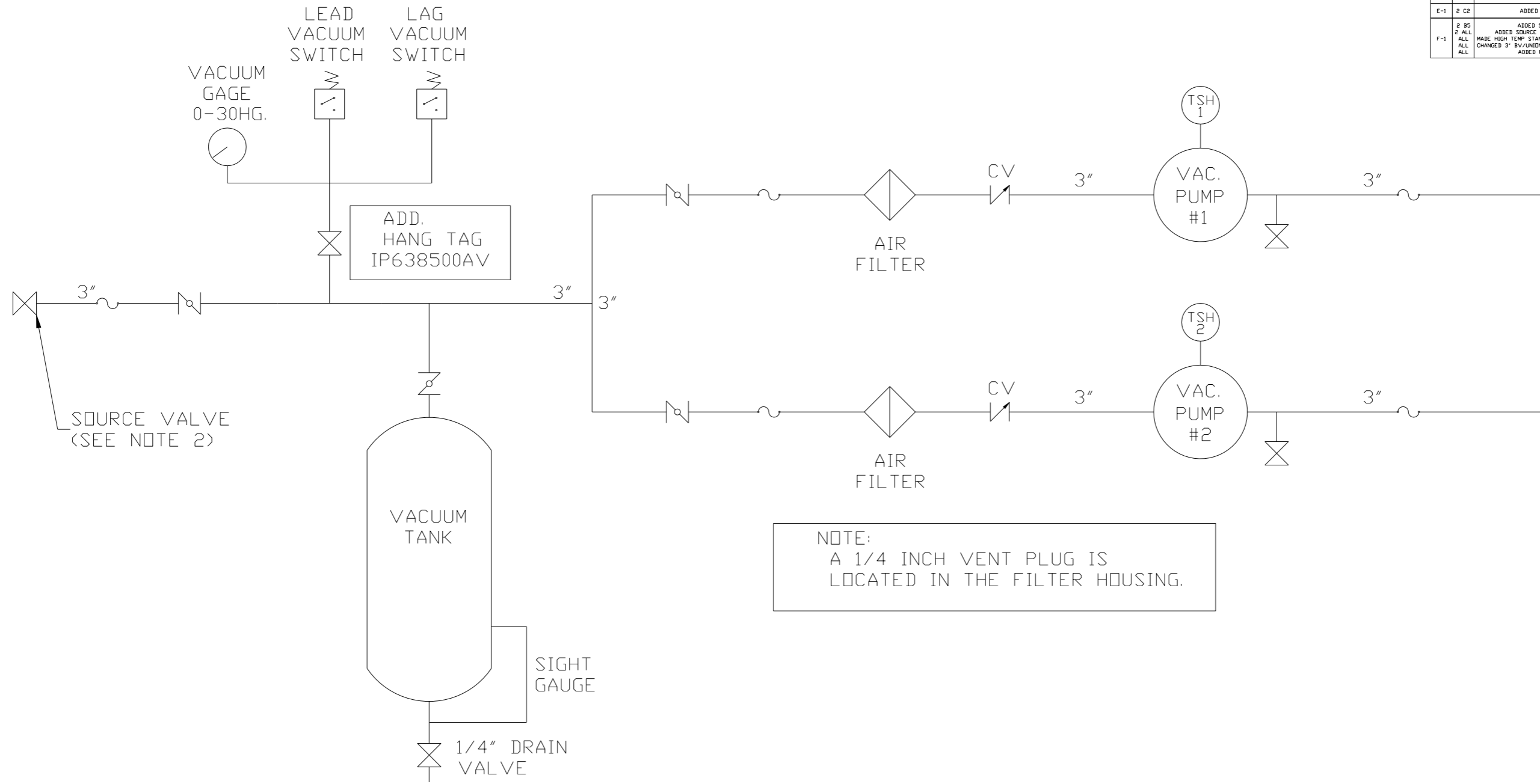
DWG NO: VPD2505      SIZE: D

150 PRODUCTION DRIVE, HARRISON, OHIO 45030  
Ph: 888-769-7979 FAX: (513) 367-3125

VPD2505B.dwg

8 7 6 5 4 3 2 1

REV	ZONE	REVISION	DATE	ECN	NAME	CHKD
B-1	ALL	RELEASE TO PRODUCTION	4/28/08	21881	AEK	GES
C-1	2 ALL	REMOVED LOW OIL LIGHT OPTION	7/22/08	21906	AEK	GES
D-1	1 ALL	REMOVED VACUUM SWITCHES FROM PANEL	10/9/09	22127	AEK	GES
E-1	2 C2	ADDED DRIP LEGS	4/13/12	22723	AEK	GES
F-1	2 B5 2 ALL ALL	ADDED SIGHT GAUGE ADDED SOURCE VALVE INFORMATION MADE HIGH TEMP STANDARD DN BASIC CONTROLS CHANGED 3" BV/UNIONS TO BUTTERFLY VALVES ADDED P&MI SHEETS	12/17/14	PXEC0067	AEK	GES



NOTE:  
A 1/4 INCH VENT PLUG IS  
LOCATED IN THE FILTER HOUSING.

LEGEND	
	TEMP. SWITCH
	VACUUM SWITCH
	AIR FILTER
	BALL VALVE
	BUTTERFLY VALVE
	CHECK VALVE
	FLEX LINE
	UNION

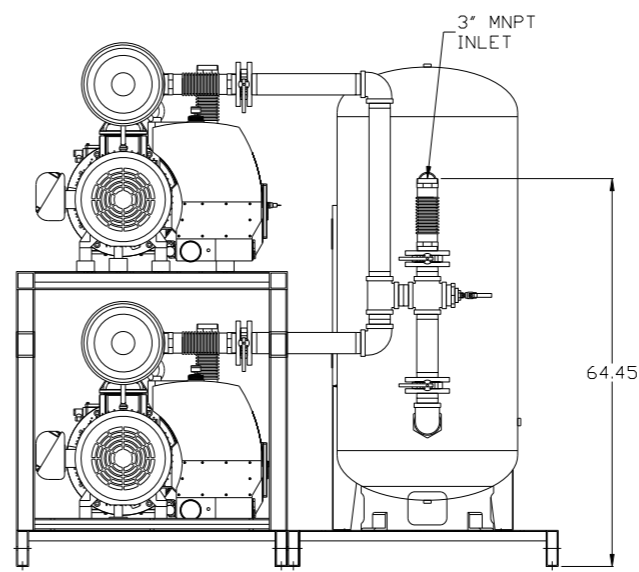
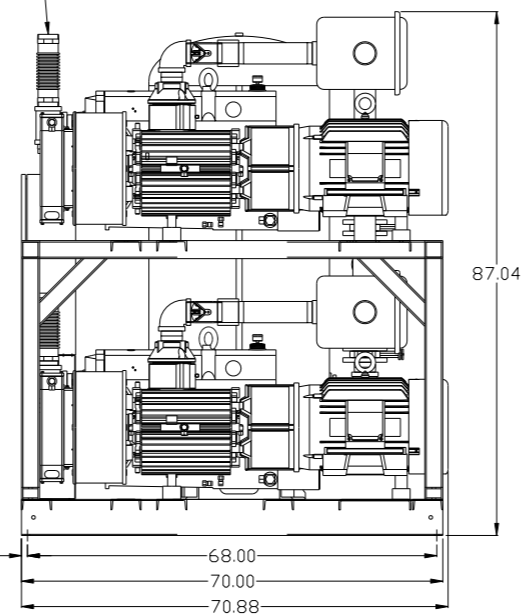
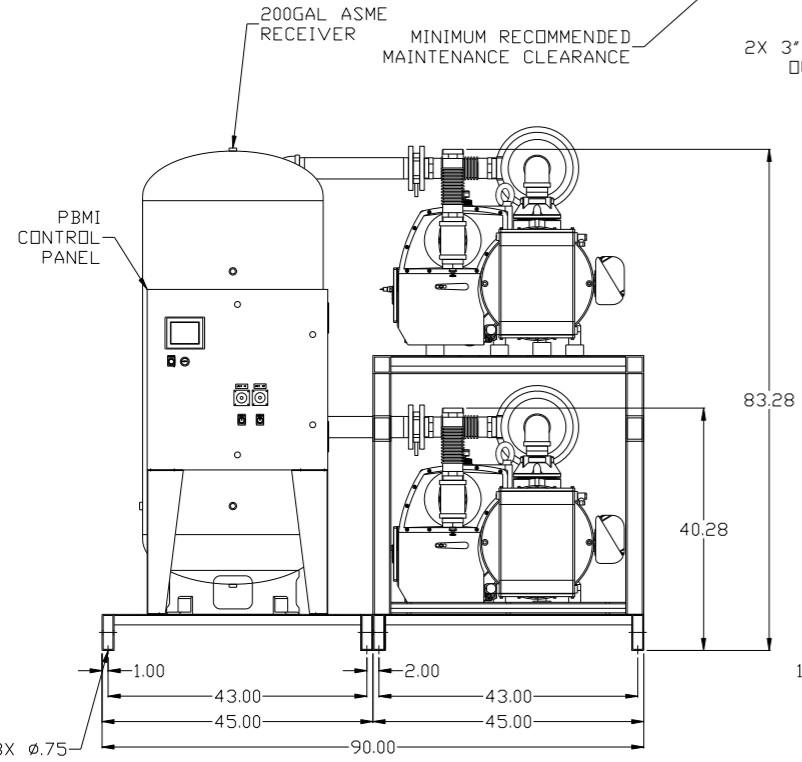
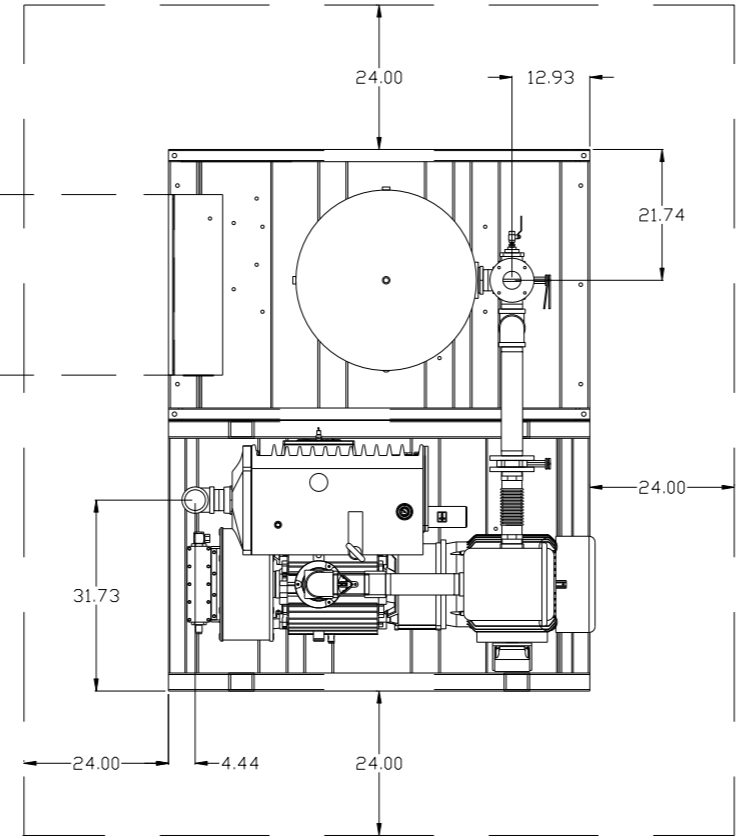
NOTES:  
1) TSH - TEMPERATURE SWITCH HIGH  
2) PER NFPA THE SYSTEM WILL REQUIRE A SOURCE VALVE (SUPPLIED BY OTHERS).

SYMBOL LEGEND			ADDITIONAL CONTROL REQ'D	Drawings to conform to the current revision of the following ANSI standards:
	MINUS DRAFT		BRINELL HARDNESS	Y14.3 Multi and sectional view dsgs. Y14.5M Dimensioning and tolerancing
TOLERANCES NOT SPECIFIED		AUTOCAD REL2008 LT	DO NOT SCALE DRAWING FOR DIMENSIONS	
.XX ±	.XXX ±	INCH	Sheet 2 of 2	SCALE 1:16
CONFIDENTIAL DISCLOSURE This drawing is the property of POWEREX, INC. of the SCOTT FELTZER COMPANY and subject to return on demand. Its contents are confidential and must not be copied or submitted to outside parties for use or examination.				
DRAWN BY	CHECKED BY	APPROVED BY	ENGINEERING MFG/MRKTG	
AEK	GES	DMS	RJR	
4/28/08	4/28/08	4/28/08	4/28/08	
MATERIAL		N/A		
PART NAME		DUPLUX VACUUM PACKAGE		
FLOW SCHEMATIC		DWG NO VPD2505		
		SIZE D		

8 7 6 5 4 3 2 1

REV	ZONE	REVISION	DATE	ECN	NAME	CHKD
2	B5	ADDED SIGHT GAUGE				
2	ALL	ADDED SOURCE VALVE INFORMATION				
F-1	ALL	MADE HIGH TEMP STANDARD DN BASIC CONTROLS	12/17/14	PXEC0067	AEK	GES
	ALL	CHANGED 3" BV/UNIONS TO BUTTERFLY VALVES				
	ALL	ADDED PBMI SHEETS				

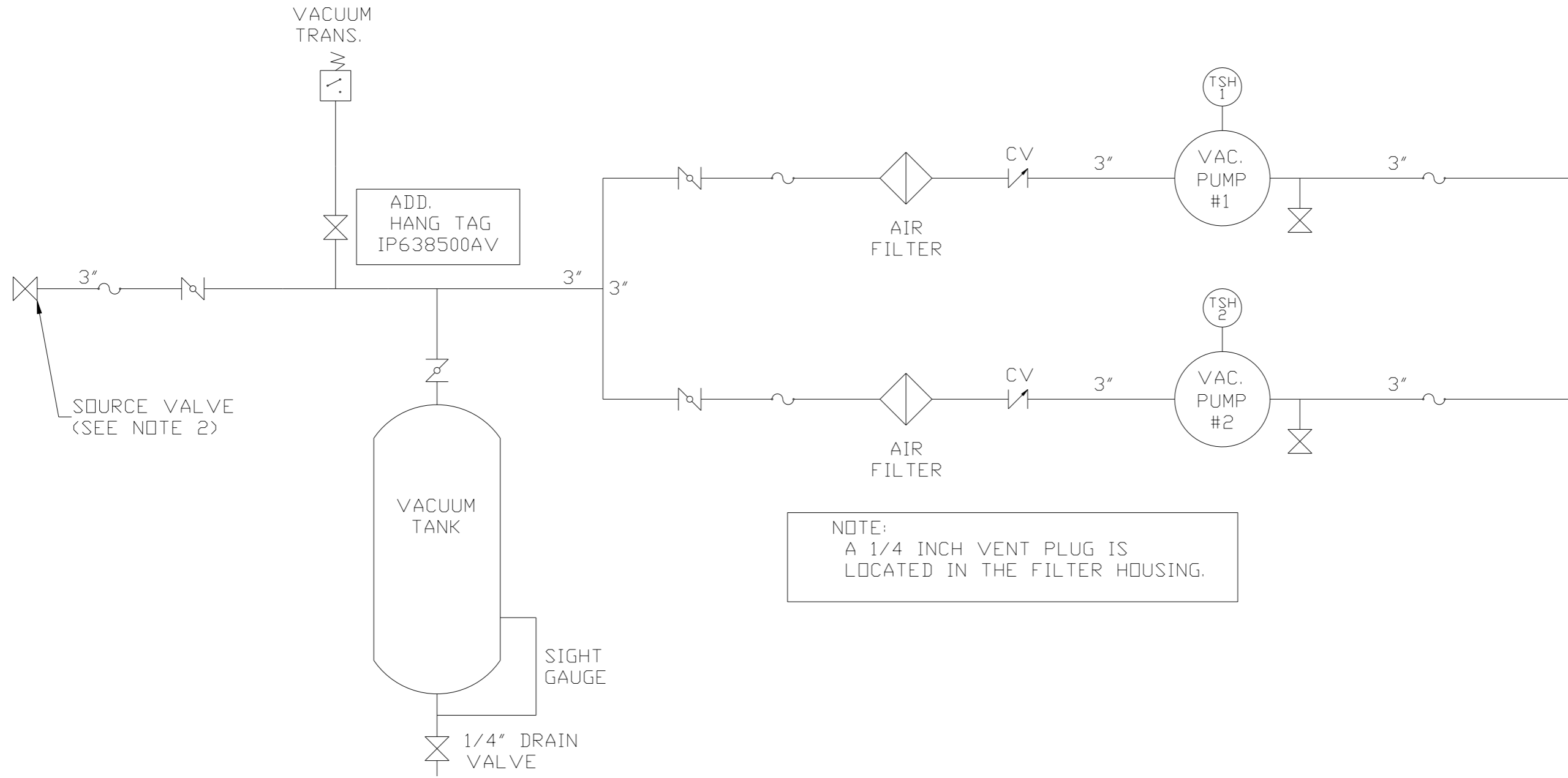
MINIMUM RECOMMENDED ELECTRICAL PANEL CLEARANCE PER OSHA/NEC REQUIREMENTS



<b>SYMBOL LEGEND</b> ⊖ = MINUS DRAFT ⊕ = PLUS DRAFT Ⓢ = ADDITIONAL CONTROL REQ'D ⓈH = BRINELL HARDNESS		Drawings to conform to the current revision of the following ANSI standards: Y14.3 Multi and sectional view dsgs. Y14.5M Dimensioning and tolerancing	
TOLERANCES NOT SPECIFIED .XX ± .XXX ± <DEG> ±		AUTOCAD REL2008 LT <b>INCH</b> DO NOT SCALE DRAWING FOR DIMENSIONS Sheet 1 of 2 SCALE 1:16	
<b>CONFIDENTIAL DISCLOSURE</b> This drawing is the property of POWEREX, INC. of the SCOTT FEITZER COMPANY and subject to return on demand. Its contents are confidential and must not be copied or submitted to outside parties for use or examination.			
DRAWN BY AEK		CHECKED BY GES	
APPROVED BY DMS		ENGINEERING RJR	
12/17/14		12/17/14	
MATERIAL N/A			
PART NAME 25HP VAC PKG 200GAL DUPLEX		POWEREX 150 PRODUCTION DRIVE, HARRISON, OHIO 45030 Ph 888-769-7979 FAX (513) 367-3125 DWG NO VPD2505	
		SIZE D	

8 7 6 5 4 3 2 1

REV	ZONE	REVISION	DATE	ECN	NAME	CHKD
2	B5	ADDED SIGHT GAUGE				
2	ALL	ADDED SOURCE VALVE INFORMATION				
F-1	ALL	MADE HIGH TEMP STANDARD DN BASIC CONTROLS	12/17/14	PXEC0067	AEK	GES
	ALL	CHANGED 3" BV/UNIONS TO BUTTERFLY VALVES				
	ALL	ADDED P&ID SHEETS				



NOTE:  
A 1/4 INCH VENT PLUG IS  
LOCATED IN THE FILTER HOUSING.

LEGEND	
	TEMP. SWITCH
	VACUUM SWITCH
	AIR FILTER
	BALL VALVE
	BUTTERFLY VALVE
	CHECK VALVE
	FLEX LINE
	UNION

NOTES:  
1) TSH - TEMPERATURE SWITCH HIGH  
2) PER NFPA THE SYSTEM WILL REQUIRE A SOURCE VALVE (SUPPLIED BY OTHERS).

SYMBOL LEGEND		= ADDITIONAL CONTROL REQ'D = BRINELL HARDNESS		Drawings to conform to the current revision of the following ANSI standards: Y14.3 Multi and sectional view dgs. Y14.5M Dimensioning and tolerancing
TOLERANCES NOT SPECIFIED .XX ± .XXX ± <math>\angle</math> (DEG.) ±	AUTOCAD REL2008 LT	DO NOT SCALE DRAWING FOR DIMENSIONS		SCALE 1:16
CONFIDENTIAL DISCLOSURE This drawing is the property of POWEREX, INC. of the SCOTT FELTZER COMPANY and subject to return on demand. Its contents are confidential and must not be copied or submitted to outside parties for use or examination.		DRAWN BY AEK	CHECKED BY GES	APPROVED BY ENGINEERING MFG/MRKTG DMS RJR
MATERIAL N/A		12/17/14	12/17/14	12/17/14
PART NAME DUPLEX VACUUM PACKAGE		 150 PRODUCTION DRIVE, HARRISON, OHIO 45030 Ph: 888-769-7979 FAX: (513) 367-3125		SIZE D
FLOW SCHEMATIC		DWG NO VPD2505		