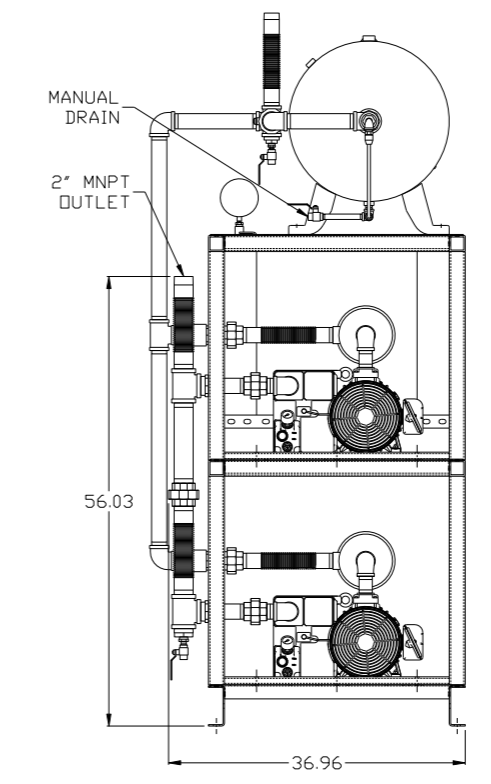
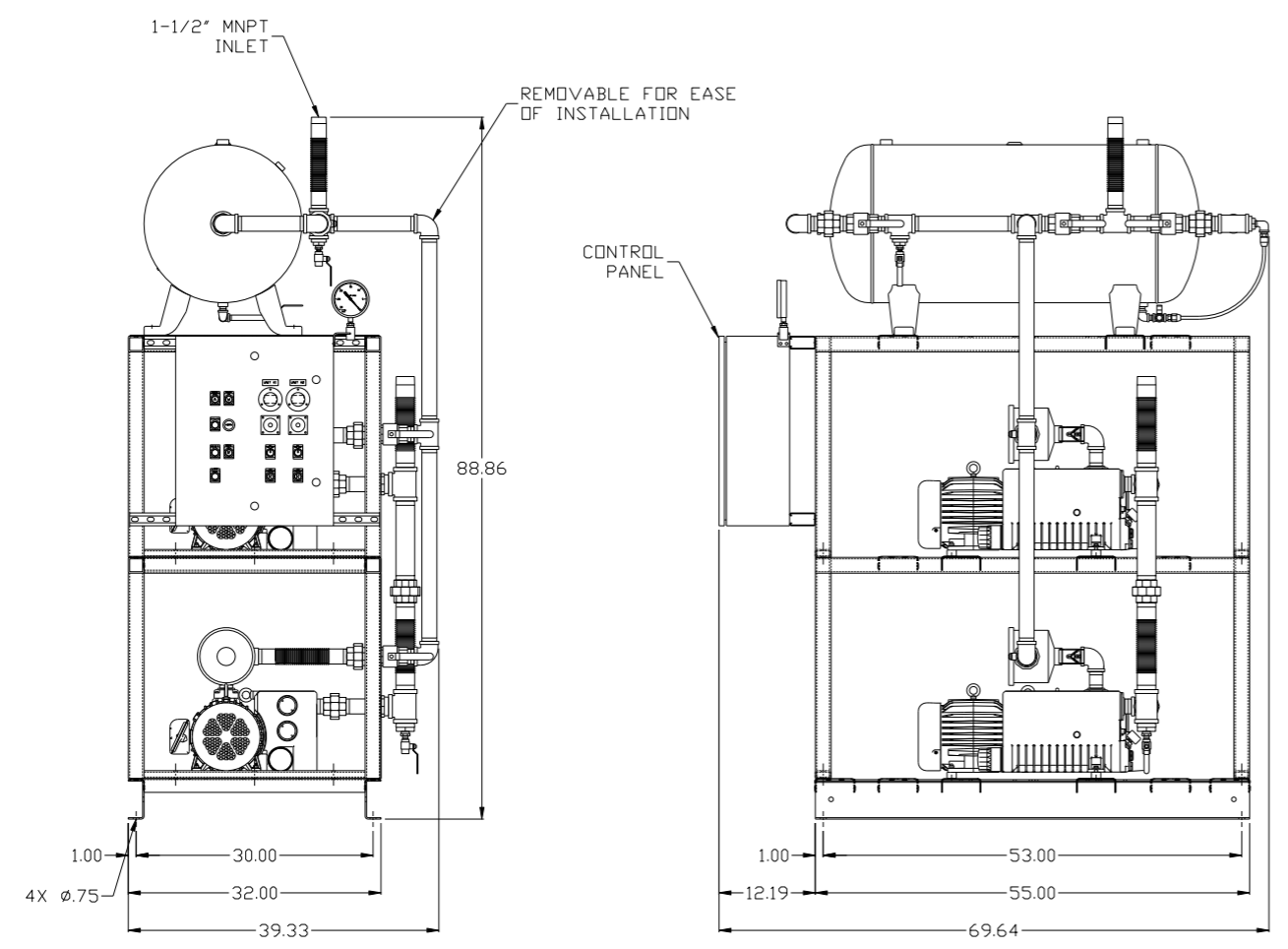
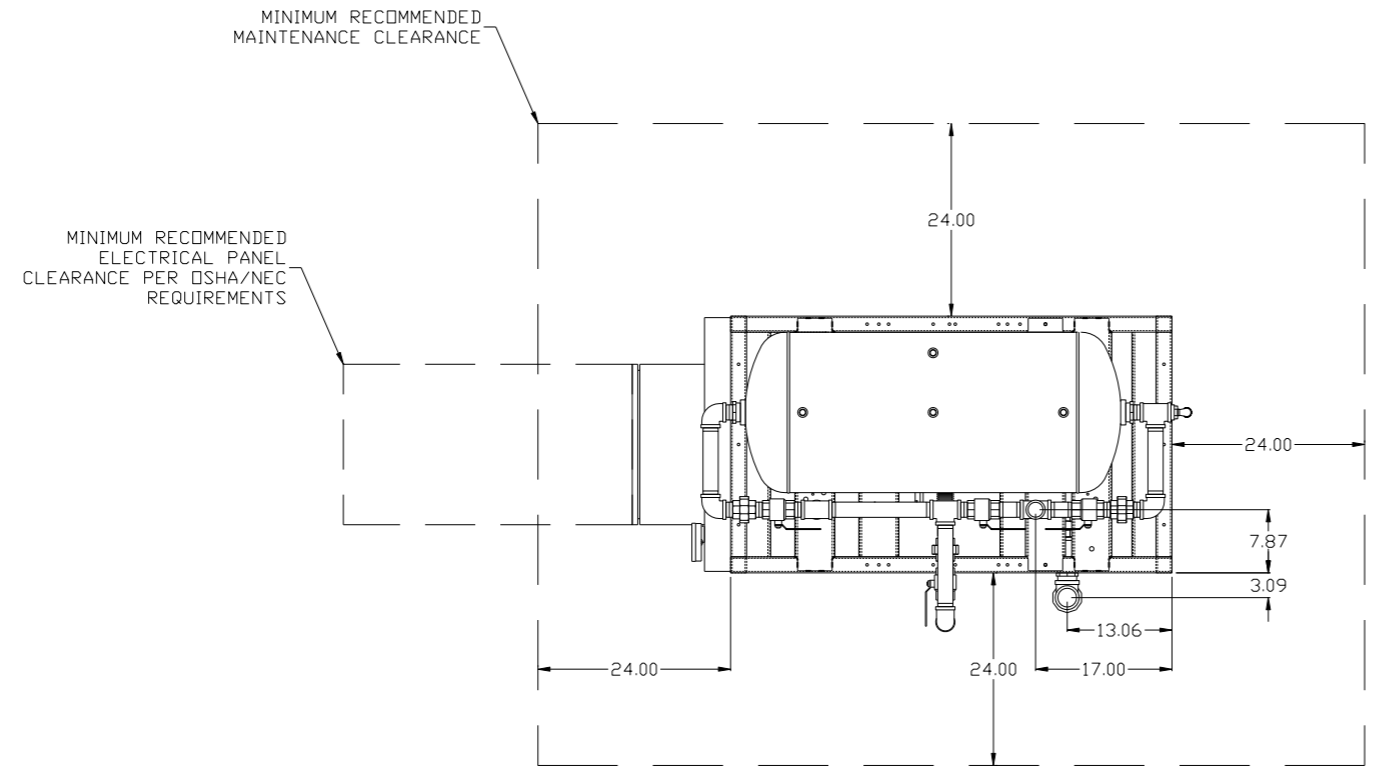


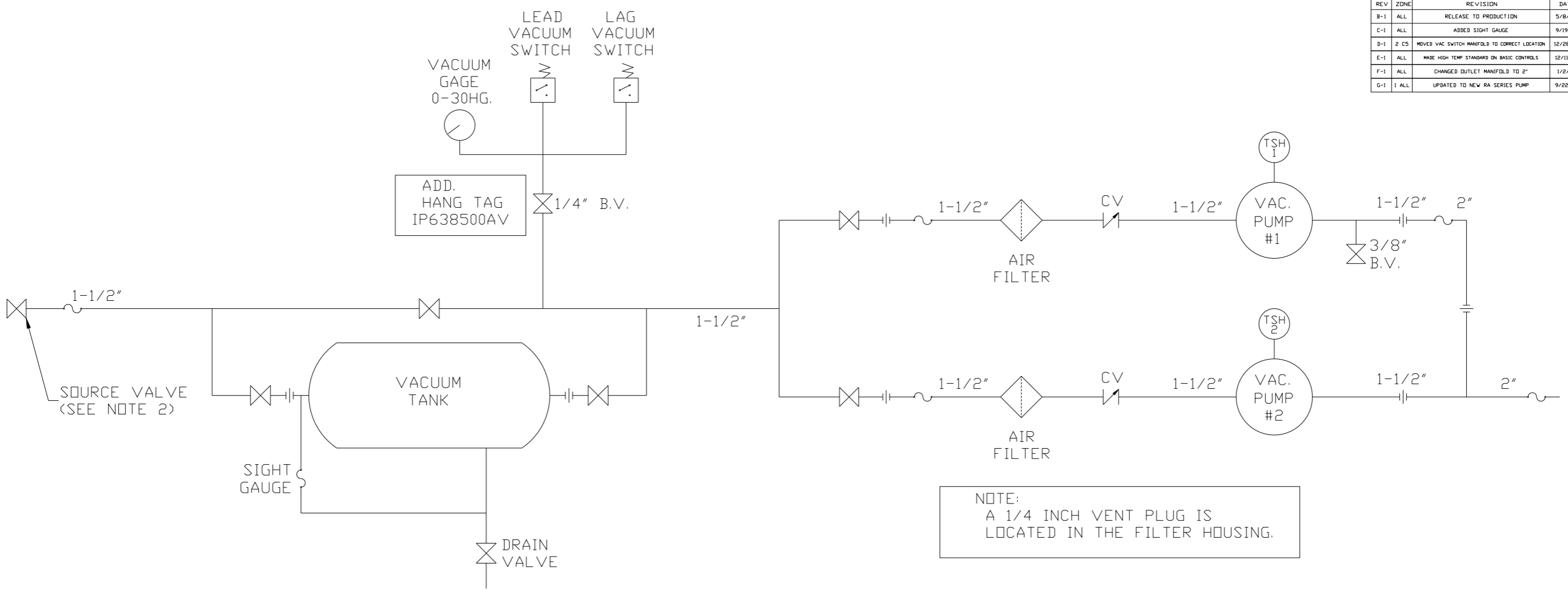
REV	ZONE	REVISION	DATE	ECN	NAME	CHKD
B-1	ALL	RELEASE TO PRODUCTION	5/8/12	22725	AEK	DMS
C-1	ALL	ADDED SIGHT GAUGE	9/19/12	PXEC0019	AEK	DMS
D-1	2 CS	MOVED VAC SWITCH MANIFOLD TO CORRECT LOCATION	12/28/12	22723	AEK	DMS
E-1	ALL	MADE HIGH TEMP STANDARD ON BASIC CONTROLS	12/11/14	PXEC0048	AEK	GES
F-1	ALL	CHANGED OUTLET MANIFOLD TO 2"	1/2/15	PXEC0096	AEK	GES
G-1	1 ALL	UPDATED TO NEW RA SERIES PUMP	9/22/16	PXEC0148	AEK	GES



NOTE: SYSTEM DESIGNED IN COMPLIANCE WITH U.S. NFPA '99, LATEST EDITION.

SYMBOL LEGEND ⊖ = MINUS DRAFT ⊕ = PLUS DRAFT .XX ± .XXX ± \angle(DEG) ±		= ADDITIONAL CONTROL REQ'D = BRINELL HARDNESS		Drawings to conform to the current revision of the following ANSI standards: Y14.3 Multi and sectional view dsgs. Y14.5M Dimensioning and tolerancing	
TOLERANCES NOT SPECIFIED .XX ± .XXX ± \angle(DEG) ±		AUTOCAD REL2008 LT INCH		DO NOT SCALE DRAWING FOR DIMENSIONS Sheet 1 of 2 SCALE 1:12	
CONFIDENTIAL DISCLOSURE This drawing is the property of POWEREX, INC. of the SCOTT FETZER COMPANY and subject to return on demand. Its contents are confidential and must not be copied or submitted to outside parties for use or examination.					
DRAWN BY AEK		CHECKED BY DMS		APPROVED BY ENGINEERING MFG/MKTG AEK RJR	
MATERIAL N/A		DATE 5/8/12		DATE 5/8/12 5/8/12 5/8/12	
PART NAME 5HP VACUUM 60GAL DUPLEX		DWG NO VPDT0402		SIZE D	

REV	ZONE	REVISION	DATE	ECN	NAME	CHKD
B-1	ALL	RELEASE TO PRODUCTION	5/8/12	22725	AEK	DMS
C-1	ALL	ADDED SIGHT GAUGE	9/19/12	PXEC0019	AEK	DMS
D-1	2 CS	MOVED VAC SWITCH MANIFOLD TO CORRECT LOCATION	12/28/12	22723	AEK	DMS
E-1	ALL	MADE HIGH TEMP STANDARD ON BASIC CONTROLS	12/11/14	PXEC0048	AEK	GES
F-1	ALL	CHANGED OUTLET MANIFOLD TO 2"	1/2/15	PXEC0096	AEK	GES
G-1	1 ALL	UPDATED TO NEW RA SERIES PUMP	9/22/16	PXEC0148	AEK	GES



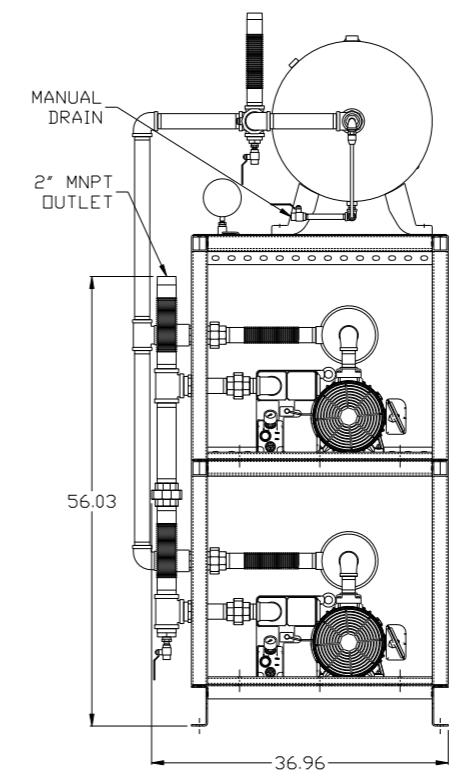
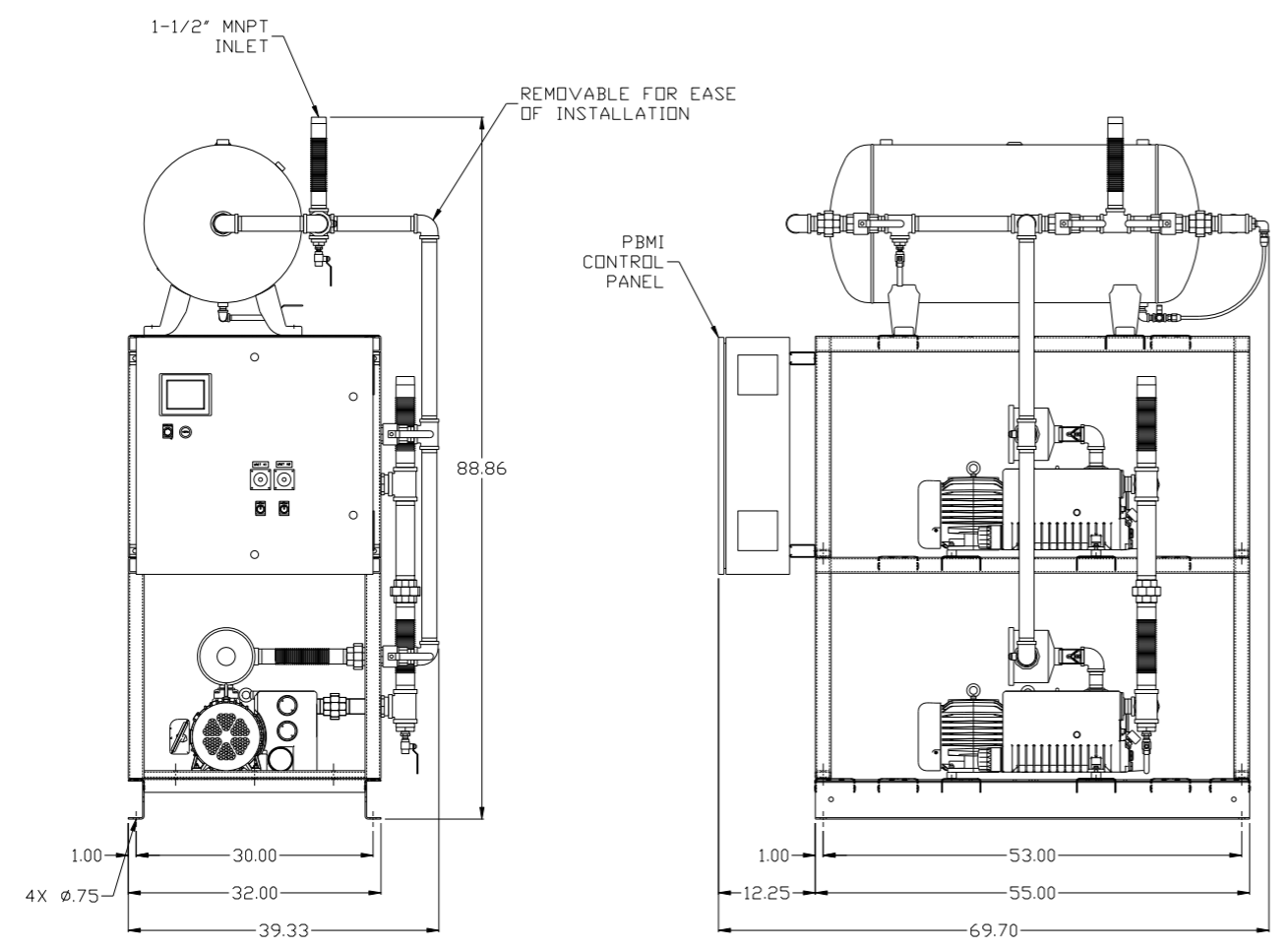
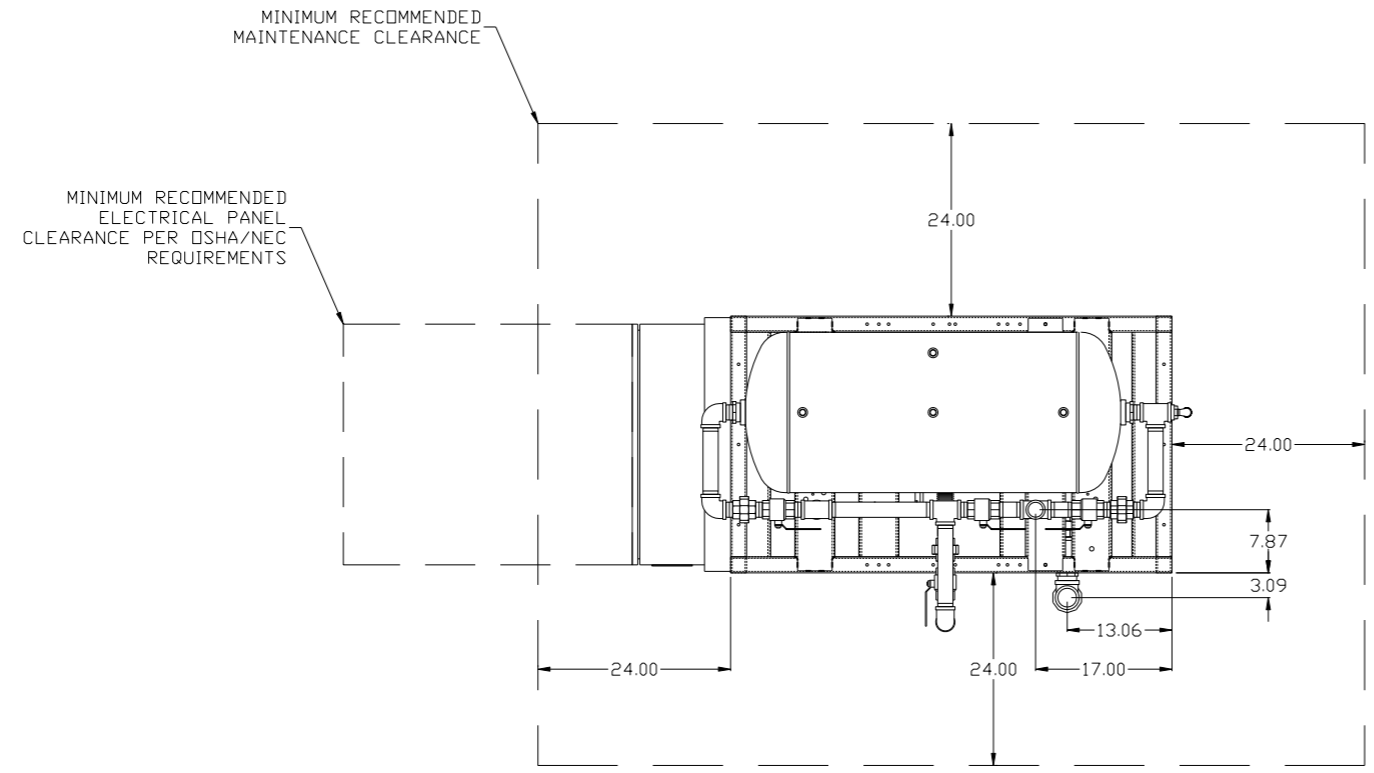
NOTE:
A 1/4 INCH VENT PLUG IS
LOCATED IN THE FILTER HOUSING.

LEGEND	
	TEMP. SWITCH
	VACUUM SWITCH
	AIR FILTER
	BALL VALVE
	CHECK VALVE
	FLEX LINE
	UNION

NOTES:
1) TSH - TEMPERATURE SWITCH HIGH
2) PER NFPA THE SYSTEM WILL REQUIRE A SOURCE VALVE (SUPPLIED BY OTHERS).

SYMBOL LEGEND		= ADDITIONAL CONTROL REQ'D		Drawings to conform to the current revision of the following ANSI standards:	
= MINUS DRAFT		= BRINELL HARDNESS		Y14.3 Multi and sectional view dgs. Y14.5M Dimensioning and tolerancing	
= PLUS DRAFT					
TOLERANCES NOT SPECIFIED		AUTOCAD REL2008 LT		DO NOT SCALE DRAWING FOR DIMENSIONS	
.XX ±		INCH		Sheet 2 of 2	
.XXX ±				SCALE 1:12	
<<DEG> ±					
CONFIDENTIAL DISCLOSURE					
This drawing is the property of POWEREX, INC. of the SCOTT FELTZER COMPANY and subject to return on demand. Its contents are confidential and must not be copied or submitted to outside parties for use or examination.					
DRAWN BY		CHECKED BY		APPROVED BY	
AEK		DMS		AEK RJR	
5/8/12		5/8/12		5/8/12 5/8/12	
MATERIAL		N/A			
PART NAME		DUPLX VACUUM		SIZE	
		FLOW SCHEMATIC		D	
DWG NO		VPD0402			

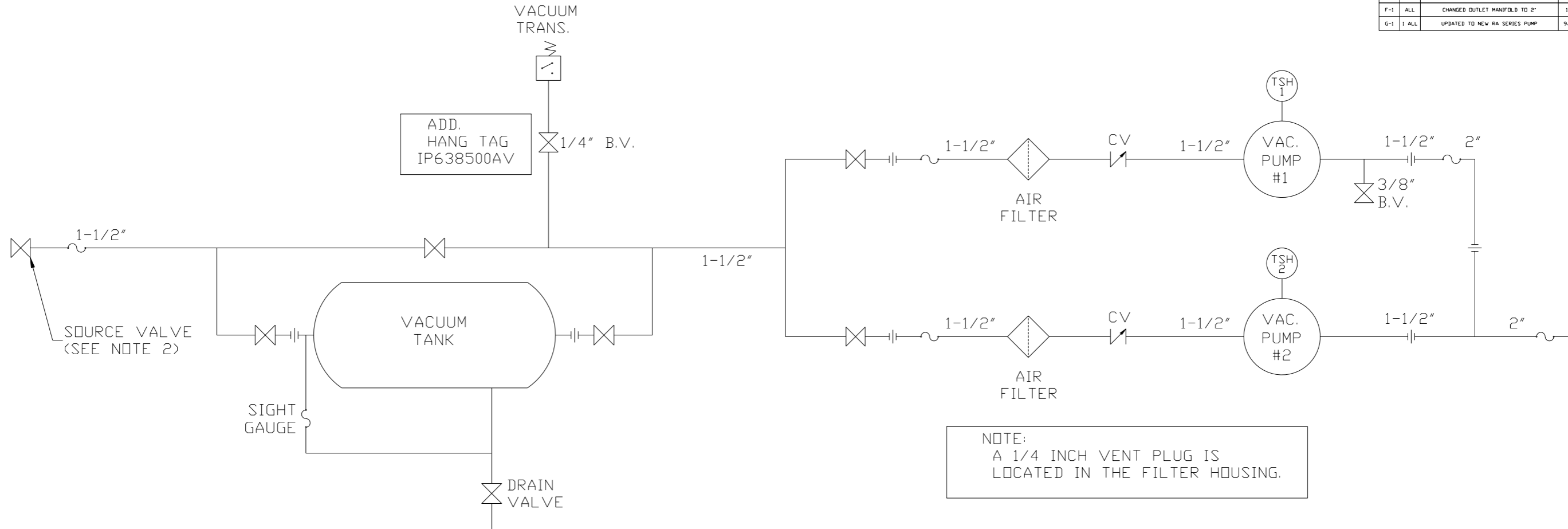
REV	ZONE	REVISION	DATE	ECN	NAME	CHKD
B-1	ALL	RELEASE TO PRODUCTION	5/8/12	22725	AEK	DMS
C-1	ALL	ADDED SIGHT GAUGE	9/19/12	PXEC0019	AEK	DMS
D-1	2 CS	MOVED VAC SWITCH MANIFOLD TO CORRECT LOCATION	12/28/12	22723	AEK	DMS
E-1	ALL	MADE HIGH TEMP STANDARD ON BASIC CONTROLS	12/11/14	PXEC0048	AEK	GES
F-1	ALL	CHANGED OUTLET MANIFOLD TO 2"	1/2/15	PXEC0096	AEK	GES
G-1	1 ALL	UPDATED TO NEW RA SERIES PUMP	9/22/16	PXEC0148	AEK	GES



NOTE: SYSTEM DESIGNED IN COMPLIANCE WITH U.S. NFPA '99, LATEST EDITION.

SYMBOL LEGEND ⊖ = MINUS DRAFT ⊕ = PLUS DRAFT .XX ± .XXX ± <DEG> ±		= ADDITIONAL CONTROL REQ'D = BRINELL HARDNESS		Drawings to conform to the current revision of the following ANSI standards: Y14.3 Multi and sectional view dgs. Y14.5M Dimensioning and tolerancing
TOLERANCES NOT SPECIFIED .XX ± .XXX ± <DEG> ±		AUTOCAD REL2008 LT INCH		DO NOT SCALE DRAWING FOR DIMENSIONS Sheet 1 of 2 SCALE 1:12
CONFIDENTIAL DISCLOSURE This drawing is the property of POWEREX, INC. of the SCOTT FETZER COMPANY and subject to return on demand. Its contents are confidential and must not be copied or submitted to outside parties for use or examination.				
MATERIAL N/A		DRAWN BY AEK		CHECKED BY DMS
PART NAME 5HP VACUUM 60GAL DUPLEX		APPROVED BY ENGINEERING AEK 5/8/12		APPROVED BY MFG/MKTG RJR 5/8/12
DWG NO VPDT0402		SIZE D		POWEREX 150 PRODUCTION DRIVE, HARRISON, OHIO 45030 Ph 888-769-7979 FAX (513) 367-3125

REV	ZONE	REVISION	DATE	ECN	NAME	CHKD
B-1	ALL	RELEASE TO PRODUCTION	5/8/12	22725	AEK	DMS
C-1	ALL	ADDED SIGHT GAUGE	9/19/12	PXEC0019	AEK	DMS
D-1	2 CS	MOVED VAC SWITCH MANIFOLD TO CORRECT LOCATION	12/28/12	22723	AEK	DMS
E-1	ALL	MADE HIGH TEMP STANDARD ON BASIC CONTROLS	12/11/14	PXEC0048	AEK	GES
F-1	ALL	CHANGED OUTLET MANIFOLD TO 2"	1/2/15	PXEC0096	AEK	GES
G-1	1 ALL	UPDATED TO NEW RA SERIES PUMP	9/22/16	PXEC0148	AEK	GES



NOTE:
A 1/4 INCH VENT PLUG IS
LOCATED IN THE FILTER HOUSING.

LEGEND	
TEMP. SWITCH	VACUUM SWITCH
AIR FILTER	CHECK VALVE
BALL VALVE	FLEX LINE
	UNION

NOTES:
1) TSH - TEMPERATURE SWITCH HIGH
2) PER NFPA THE SYSTEM WILL REQUIRE A SOURCE VALVE (SUPPLIED BY OTHERS).

SYMBOL LEGEND		= ADDITIONAL CONTROL REQ'D	Drawings to conform to the current revision of the following ANSI standards:		
= MINUS DRAFT	= PLUS DRAFT	= BRINELL HARDNESS	Y14.3 Multi and sectional view dsgs. Y14.5M Dimensioning and tolerancing		
TOLERANCES NOT SPECIFIED	AUTOCAD REL2008 LT	DO NOT SCALE DRAWING FOR DIMENSIONS			
.XX ±	INCH	Sheet 2 of 2	SCALE 1:12		
CONFIDENTIAL DISCLOSURE This drawing is the property of POWEREX, INC. of the SCOTT FELTZER COMPANY and subject to return on demand. Its contents are confidential and must not be copied or submitted to outside parties for use or examination.		DRAWN BY AEK	CHECKED BY DMS	APPROVED BY ENGINEERING AEK	MFG/MKTG RJR
MATERIAL N/A		5/8/12	5/8/12	5/8/12	5/8/12
PART NAME DUPLEX VACUUM FLOW SCHEMATIC				SIZE D	
		DWG NO VPD0402			