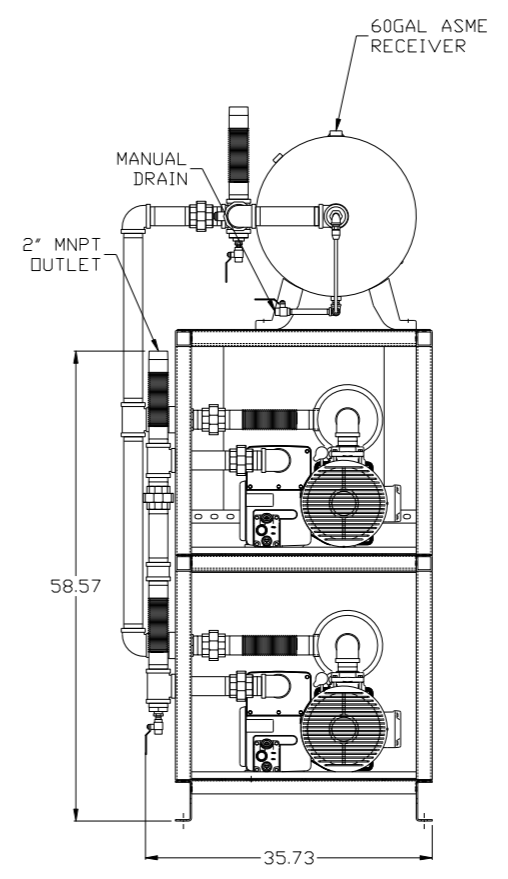
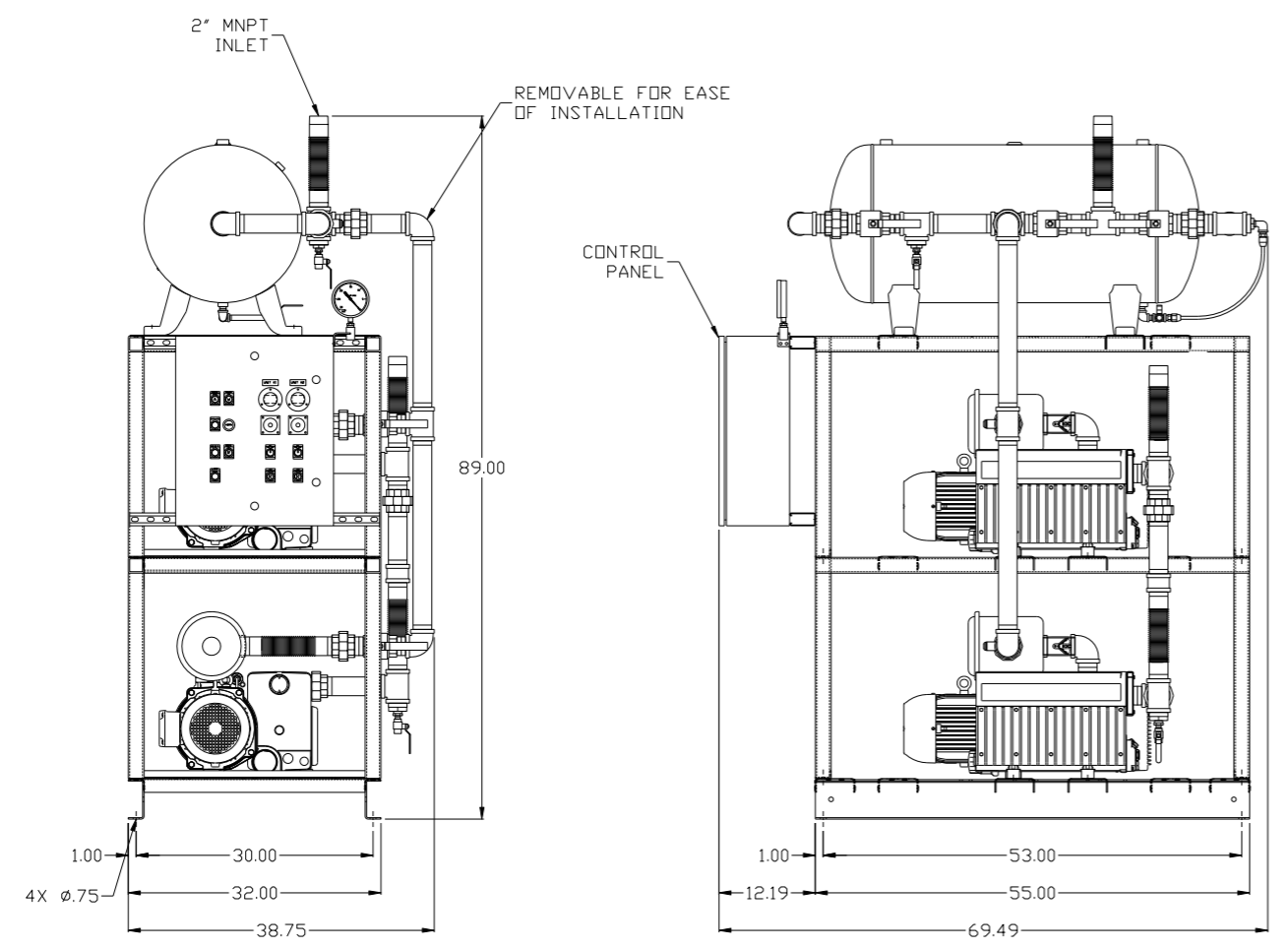
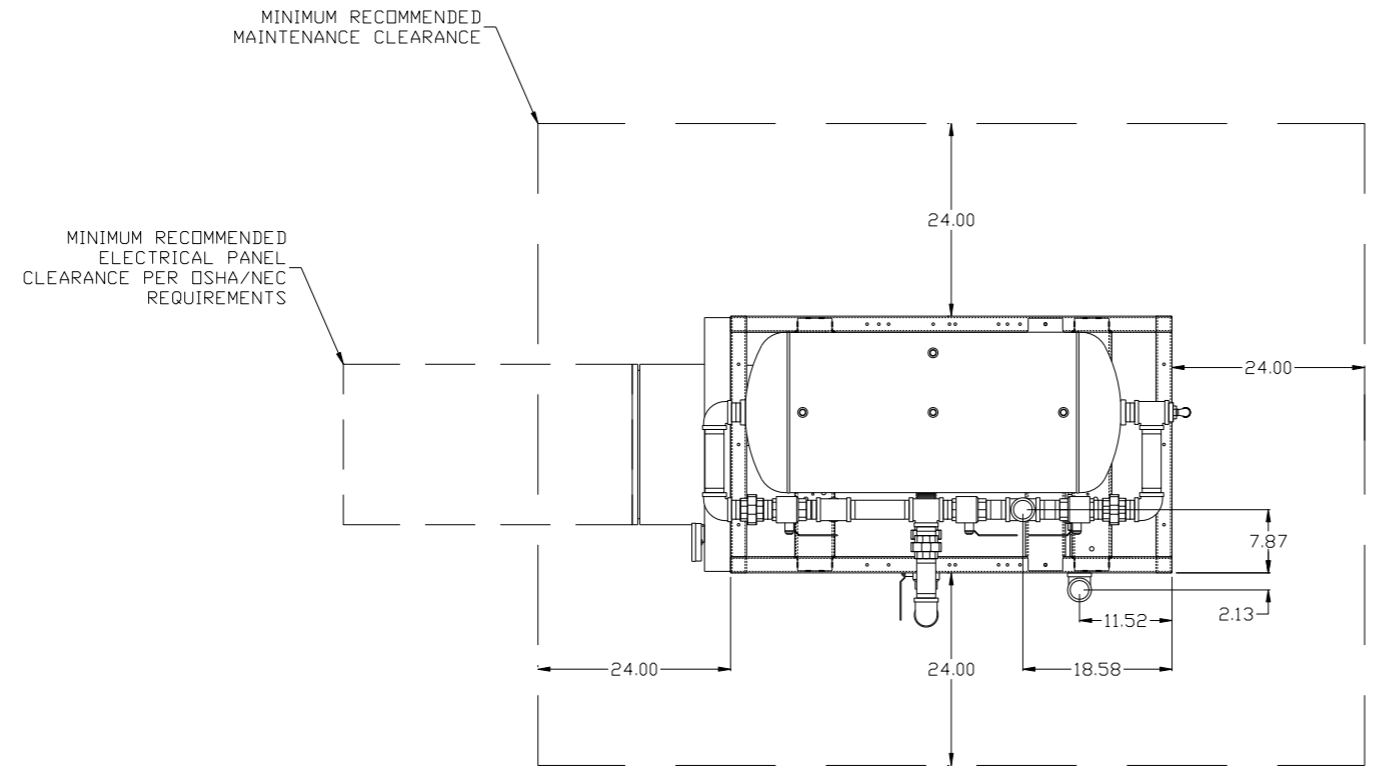


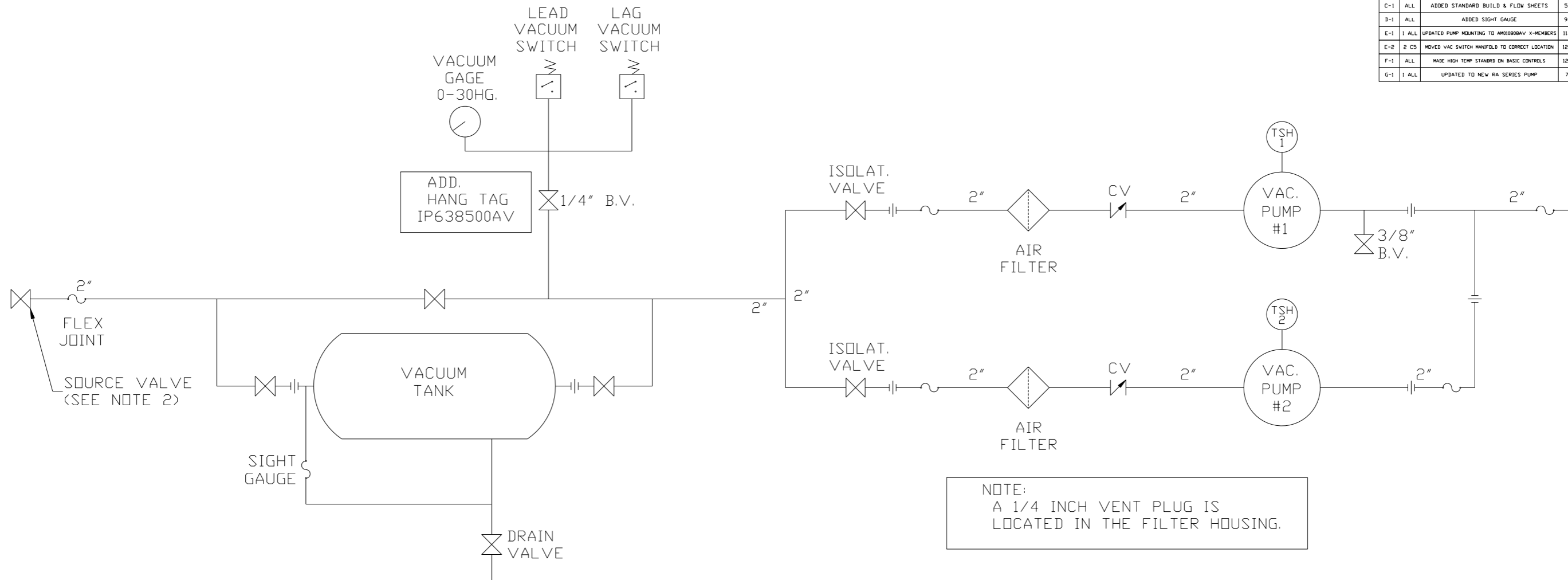
| REV | ZONE | REVISION | DATE | ECN | NAME | CHKD |
|-----|-------|---|----------|----------|------|------|
| C-1 | ALL | ADDED STANDARD BUILD & FLOW SHEETS | 5/8/12 | 22725 | AEK | DMS |
| D-1 | ALL | ADDED SIGHT GAUGE | 9/19/12 | PXEC0019 | AEK | DMS |
| E-1 | 1 ALL | UPDATED PUMP MOUNTING TO AM10880AV X-MEMBERS | 11/29/12 | 22723 | AEK | DMS |
| E-2 | 2 CS | MOVED VAC SWITCH MANIFOLD TO CORRECT LOCATION | 12/28/12 | 22723 | AEK | DMS |
| F-1 | ALL | MADE HIGH TEMP STANDRD ON BASIC CONTROLS | 12/20/13 | PXEC0030 | AEK | KMD |
| G-1 | 1 ALL | UPDATED TO NEW RA SERIES PUMP | 7/7/16 | PXEC0148 | AEK | DMS |



NOTE: SYSTEM DESIGNED IN COMPLIANCE WITH U.S. NFPA '99, LATEST EDITION.

| | | | | | |
|---|--|--|--|--|--|
| SYMBOL LEGEND ⊖ = MINUS DRAFT ⊕ = PLUS DRAFT .XX ± .XXX ± \angle(DEG) ± | | ⊕ = ADDITIONAL CONTROL REQ'D HRC = BRINELL HARDNESS | | Drawings to conform to the current revision of the following ANSI standards: Y14.3 Multi and sectional view dgs. Y14.5M Dimensioning and tolerancing | |
| TOLERANCES NOT SPECIFIED .XX ± .XXX ± \angle(DEG) ± | | AUTOCAD REL2008 LT INCH | | DO NOT SCALE DRAWING FOR DIMENSIONS Sheet 1 of 2 SCALE 1:12 | |
| CONFIDENTIAL DISCLOSURE This drawing is the property of POWEREX, INC. of the SCOTT FELTZER COMPANY and subject to return on demand. Its contents are confidential and must not be copied or submitted to outside parties for use or examination. | | | | | |
| DRAWN BY AEK | | CHECKED BY DMS | | APPROVED BY ENGINEERING MFG/MKTG AEK RJR | |
| MATERIAL N/A | | DATE 5/8/12 | | DATE 5/8/12 5/8/12 5/8/12 | |
| PART NAME 5HP. VACUUM 60GAL. DUPLEX | | DWG NO VPDT0502 | | SIZE D | |

| REV | ZONE | REVISION | DATE | ECN | NAME | CHKD |
|-----|-------|---|----------|----------|------|------|
| C-1 | ALL | ADDED STANDARD BUILD & FLOW SHEETS | 5/8/12 | 22725 | AEK | DMS |
| D-1 | ALL | ADDED SIGHT GAUGE | 9/19/12 | PXEC0019 | AEK | DMS |
| E-1 | 1 ALL | UPDATED PUMP MOUNTING TO AM10880AV X-MEMBERS | 11/29/12 | 22723 | AEK | DMS |
| E-2 | 2 CS | MOVED VAC SWITCH MANIFOLD TO CORRECT LOCATION | 12/28/12 | 22723 | AEK | DMS |
| F-1 | ALL | MADE HIGH TEMP STANDRD ON BASIC CONTROLS | 12/20/13 | PXEC0030 | AEK | KMD |
| G-1 | 1 ALL | UPDATED TO NEW RA SERIES PUMP | 7/7/16 | PXEC0148 | AEK | DMS |



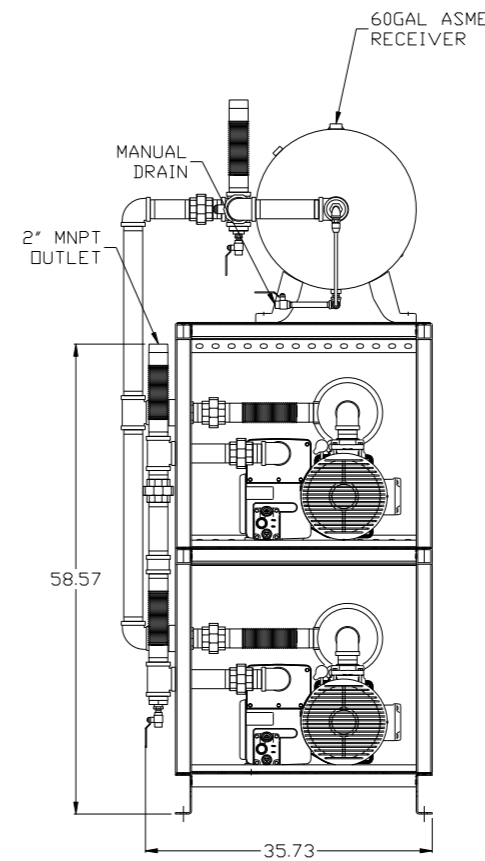
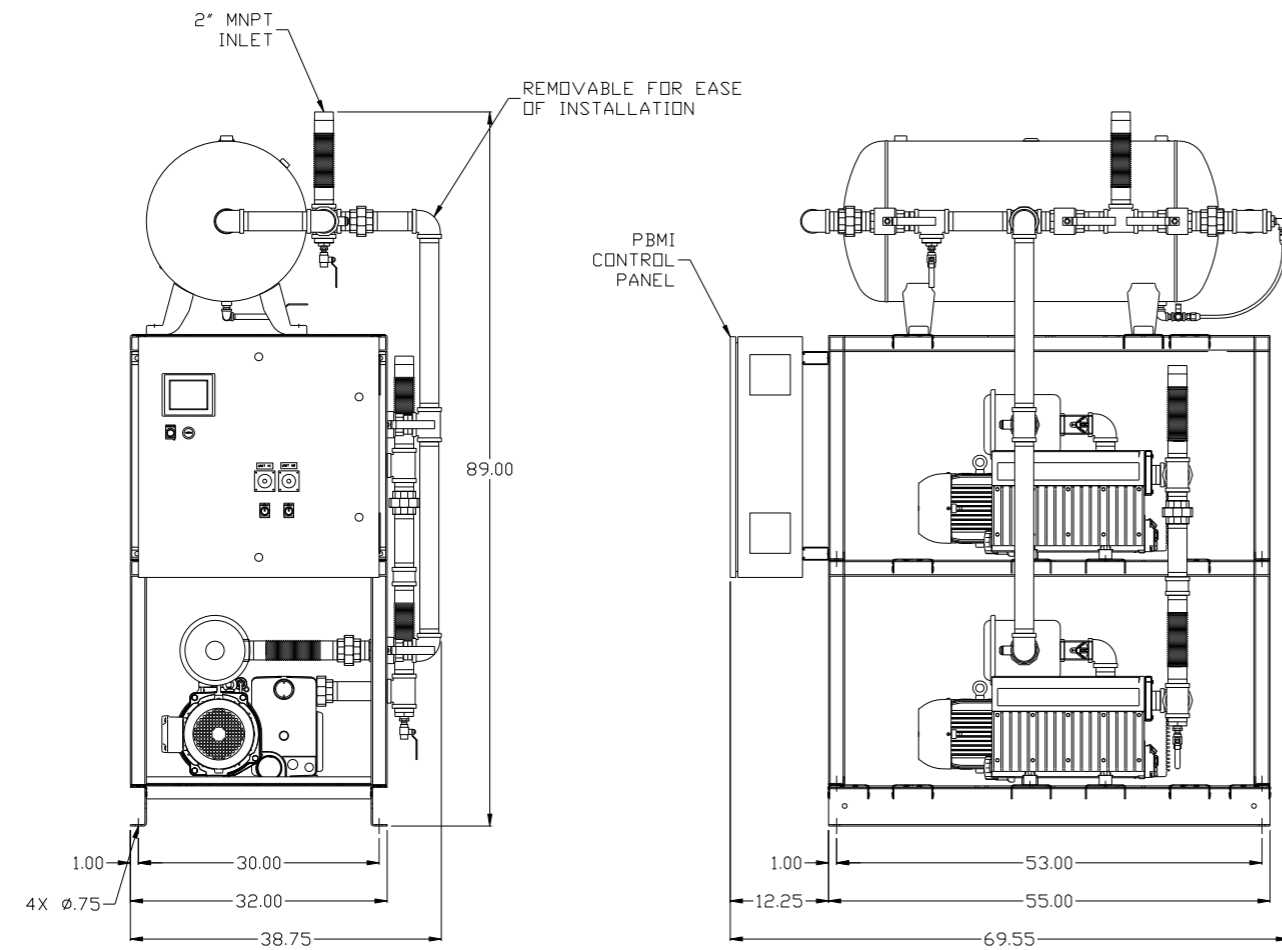
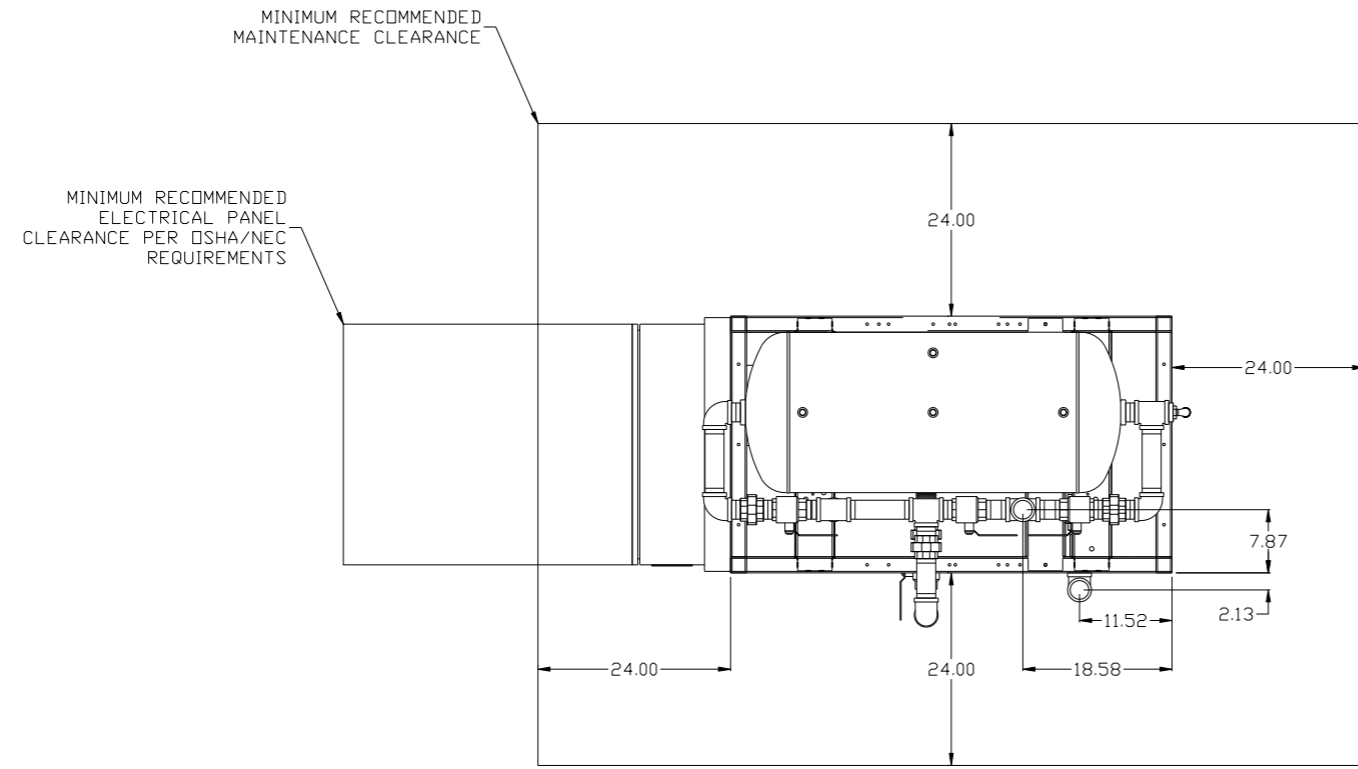
NOTE:
A 1/4 INCH VENT PLUG IS
LOCATED IN THE FILTER HOUSING.

| LEGEND | | | |
|--------|-------------------|--|---------------|
| | TEMP. SWITCH | | VACUUM SWITCH |
| | LOW OIL LEVEL SW. | | CHECK VALVE |
| | AIR FILTER | | FLEX LINE |
| | BALL VALVE | | UNION |
| | SOLENOID VALVE | | |

NOTES:
1) TSH - TEMPERATURE SWITCH HIGH
2) PER NFPA THE SYSTEM WILL REQUIRE A SOURCE VALVE (SUPPLIED BY OTHERS).

| | | | | |
|---|---------------|-----------------------------|-------------------------------------|--|
| SYMBOL LEGEND | | | = ADDITIONAL CONTROL REQ'D | Drawings to conform to the current revision of the following ANSI standards: |
| | = MINUS DRAFT | | = BRINELL HARDNESS | Y14.3 Multi and sectional view dgs. Y14.5M Dimensioning and tolerancing |
| TOLERANCES NOT SPECIFIED | | AUTOCAD REL2008 LT | DO NOT SCALE DRAWING FOR DIMENSIONS | |
| .XX ± | .XXX ± | INCH | Sheet 2 of 2 | SCALE 1:12 |
| CONFIDENTIAL DISCLOSURE This drawing is the property of POWEREX, INC. of the SCOTT FELTZER COMPANY and subject to return on demand. Its contents are confidential and must not be copied or submitted to outside parties for use or examination. | | | | |
| DRAWN BY | CHECKED BY | APPROVED BY | MFG/MKTG | |
| AEK | DMS | AEK | RJR | |
| 5/8/12 | 5/8/12 | 5/8/12 | 5/8/12 | |
| MATERIAL | | N/A | | |
| PART NAME | | DUPLX VACUUM FLOW SCHEMATIC | | |
| DWG NO | | VPDT0502 | | |
| SIZE | | D | | |

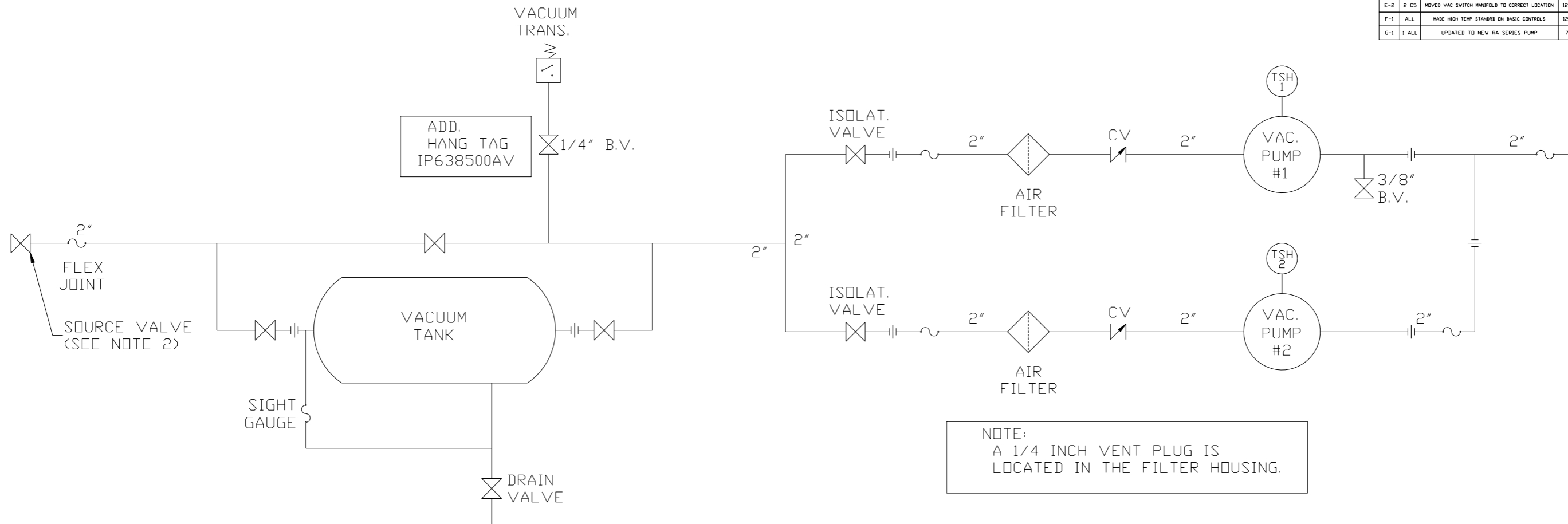
| REV | ZONE | REVISION | DATE | ECN | NAME | CHKD |
|-----|-------|---|----------|----------|------|------|
| B-1 | ALL | RELEASE TO PRODUCTION | 3/13/12 | 22722 | AEK | KMD |
| C-1 | ALL | ADDED STANDARD BUILD & FLOW SHEETS | 5/8/12 | 22725 | AEK | DMS |
| D-1 | ALL | ADDED SIGHT GAUGE | 9/19/12 | PXEC0019 | AEK | DMS |
| E-1 | 1 ALL | UPDATED PUMP MOUNTING TO AM1080BAV X-MEMBERS | 11/29/12 | 22723 | AEK | DMS |
| E-2 | 2 CS | MOVED VAC SWITCH MANIFOLD TO CORRECT LOCATION | 12/28/12 | 22723 | AEK | DMS |
| F-1 | ALL | MADE HIGH TEMP STANDRD ON BASIC CONTROLS | 12/20/13 | PXEC0030 | AEK | KMD |
| G-1 | 1 ALL | UPDATED TO NEW RA SERIES PUMP | 7/7/16 | PXEC0148 | AEK | DMS |



NOTE: SYSTEM DESIGNED IN COMPLIANCE WITH U.S. NFPA '99, LATEST EDITION.

| | | | | |
|--|--|---|--|--|
| SYMBOL LEGEND ⊖ = MINUS DRAFT ⊕ = PLUS DRAFT .XX ± .XXX ± \angle(DEG) ± | | = ADDITIONAL CONTROL REQ'D = BRINELL HARDNESS | | Drawings to conform to the current revision of the following ANSI standards: Y14.3 Multi and sectional view dgs. Y14.5M Dimensioning and tolerancing |
| TOLERANCES NOT SPECIFIED AUTOCAD REL2008 LT INCH | | DO NOT SCALE DRAWING FOR DIMENSIONS Sheet 1 of 2 SCALE 1:12 | | |
| CONFIDENTIAL DISCLOSURE This drawing is the property of POWEREX, INC. of the SCOTT FETZER COMPANY and subject to return on demand. Its contents are confidential and must not be copied or submitted to outside parties for use or examination. | | | | |
| DRAWN BY AEK | | CHECKED BY KMD | | APPROVED BY ENGINEERING MFG/MKTG DMS JJ |
| DATE 3/13/12 | | DATE 3/13/12 | | DATE 3/13/12 |
| MATERIAL N/A | | | | |
| PART NAME 5HP. VACUUM 60GAL. DUPLEX | | | | |
| DWG NO VPDT0502 | | | | SIZE D |

| REV | ZONE | REVISION | DATE | ECN | NAME | CHKD |
|-----|-------|---|----------|----------|------|------|
| B-1 | ALL | RELEASE TO PRODUCTION | 3/13/12 | 22722 | AEK | KMD |
| C-1 | ALL | ADDED STANDARD BUILD & FLOW SHEETS | 5/8/12 | 22725 | AEK | DMS |
| D-1 | ALL | ADDED SIGHT GAUGE | 9/19/12 | PXEC0019 | AEK | DMS |
| E-1 | 1 ALL | UPDATED PUMP MOUNTING TO AM1080BAV X-MEMBERS | 11/29/12 | 22723 | AEK | DMS |
| E-2 | 2 CS | MOVED VAC SWITCH MANIFOLD TO CORRECT LOCATION | 12/28/12 | 22723 | AEK | DMS |
| F-1 | ALL | MADE HIGH TEMP STANDRD ON BASIC CONTROLS | 12/20/13 | PXEC0030 | AEK | KMD |
| G-1 | 1 ALL | UPDATED TO NEW RA SERIES PUMP | 7/7/16 | PXEC0148 | AEK | DMS |



NOTE:
A 1/4 INCH VENT PLUG IS LOCATED IN THE FILTER HOUSING.

| LEGEND | |
|--------|-------------------|
| | TEMP. SWITCH |
| | LOW OIL LEVEL SW. |
| | AIR FILTER |
| | BALL VALVE |
| | SOLENOID VALVE |
| | VACUUM SWITCH |
| | CHECK VALVE |
| | FLEX LINE |
| | UNION |

NOTES:
1) TSH - TEMPERATURE SWITCH HIGH
2) PER NFPA THE SYSTEM WILL REQUIRE A SOURCE VALVE (SUPPLIED BY OTHERS).

| | | | |
|---|-----------------------|---|--|
| SYMBOL LEGEND ⊖ = MINUS DRAFT ⊕ = PLUS DRAFT | | = ADDITIONAL CONTROL REQ'D = BRINELL HARDNESS | Drawings to conform to the current revision of the following ANSI standards: Y14.3 Multi and sectional view dgs. Y14.5M Dimensioning and tolerancing |
| TOLERANCES NOT SPECIFIED .XX ± .XXX ± \angle (DEG) ± | AUTOCAD REL2008 LT | DO NOT SCALE DRAWING FOR DIMENSIONS Sheet 2 of 2 SCALE 1:12 | |
| CONFIDENTIAL DISCLOSURE This drawing is the property of POWEREX, INC. of the SCOTT FELTZER COMPANY and subject to return on demand. Its contents are confidential and must not be copied or submitted to outside parties for use or examination. | | | |
| MATERIAL N/A | | DRAWN BY AEK | CHECKED BY KMD |
| PART NAME DUPLEX VACUUM FLOW SCHEMATIC | | APPROVED BY DMS | MFG/MRKTG JJ |
| DATE 3/13/12 | | DATE 3/13/12 | DATE 3/13/12 |
| DWG NO VPDT0502 | | SIZE D | |