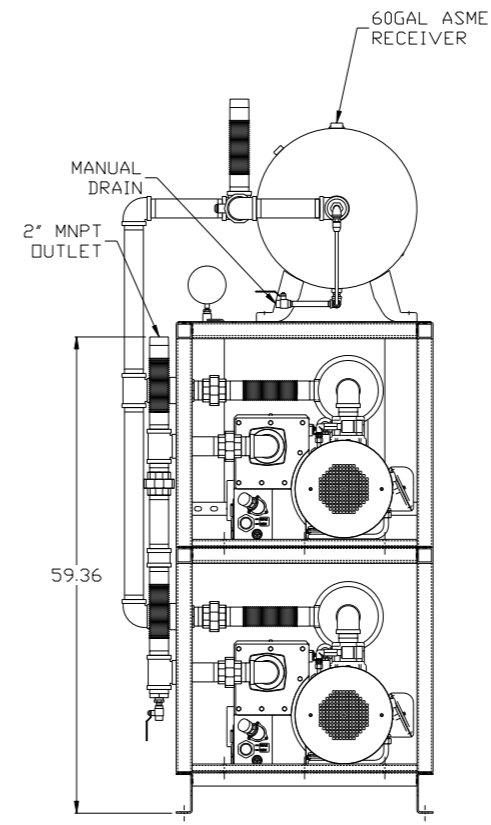
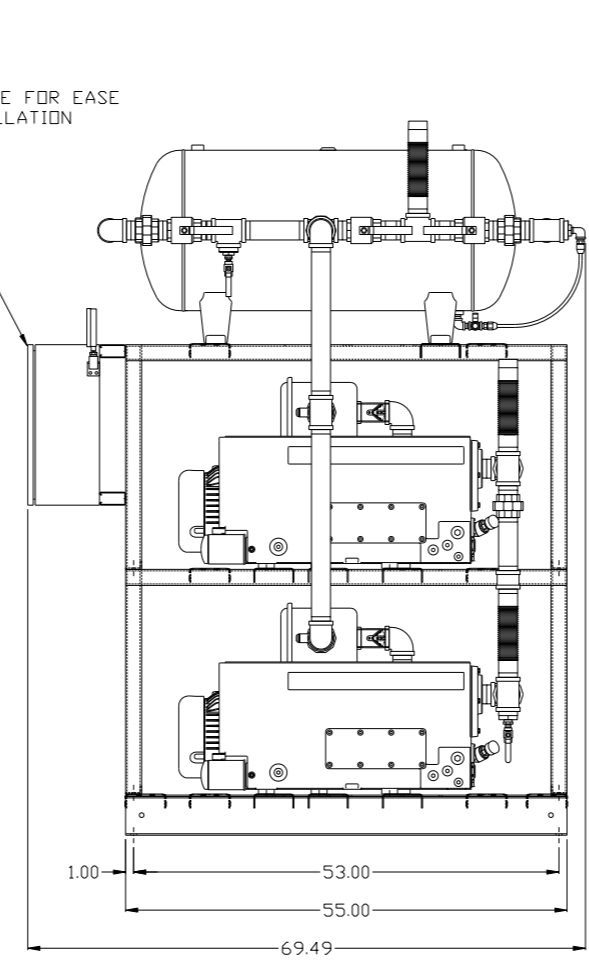
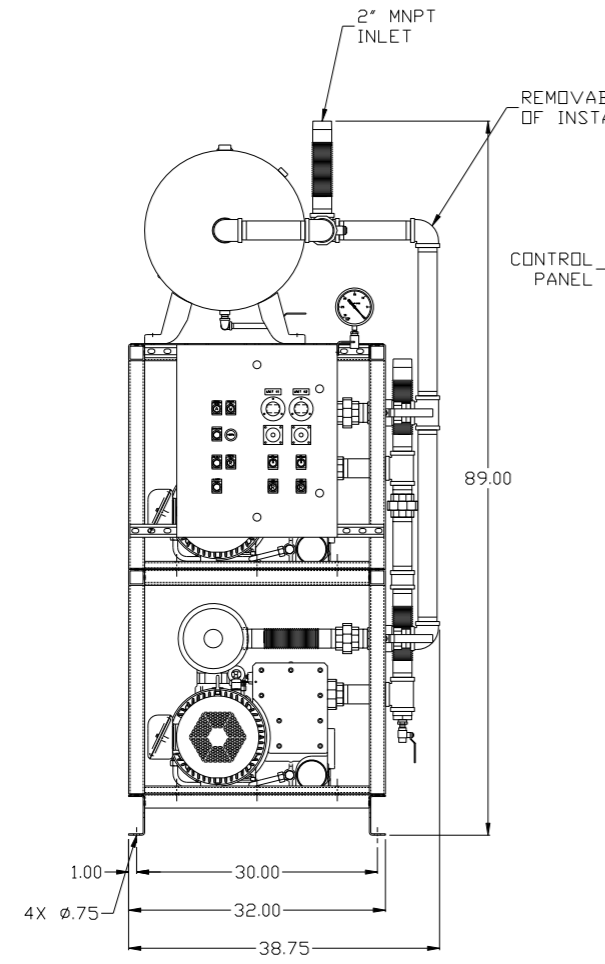
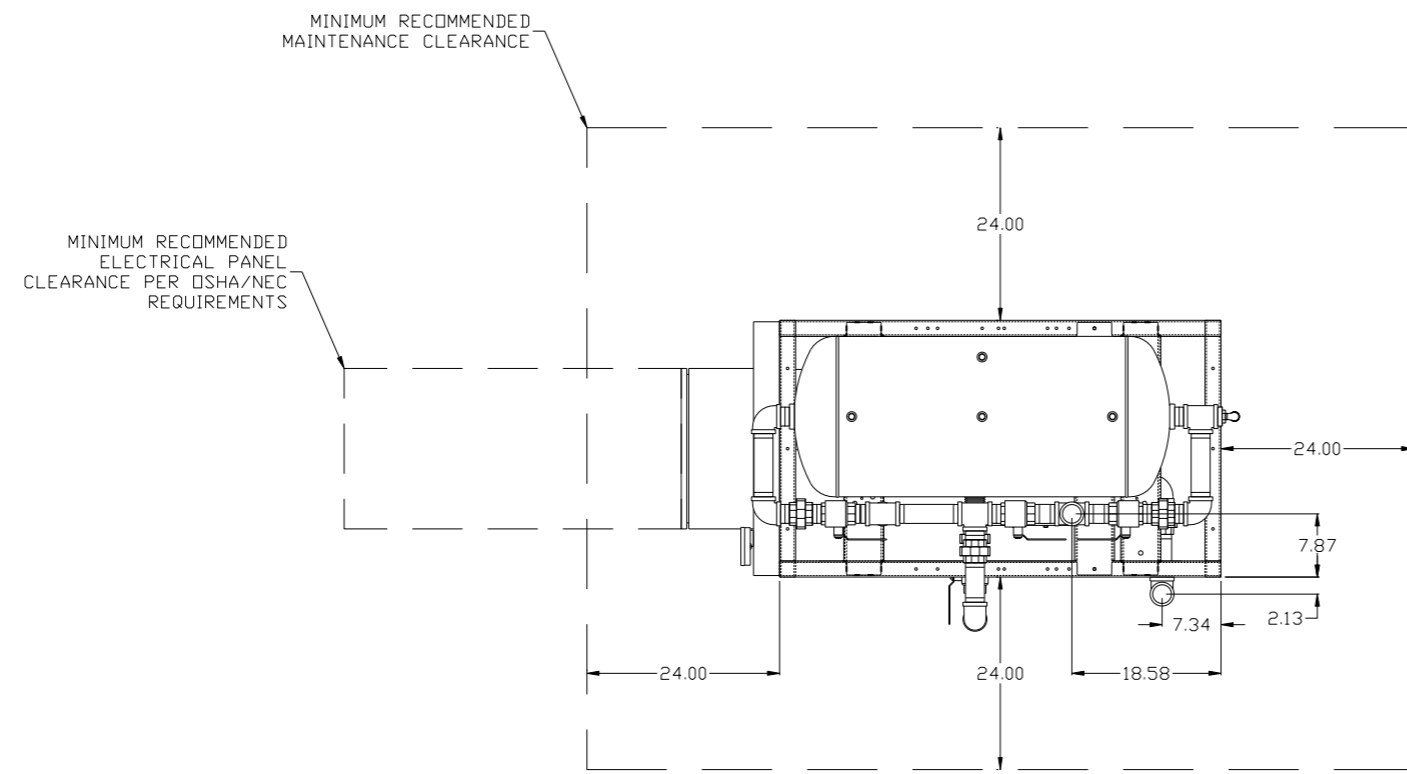


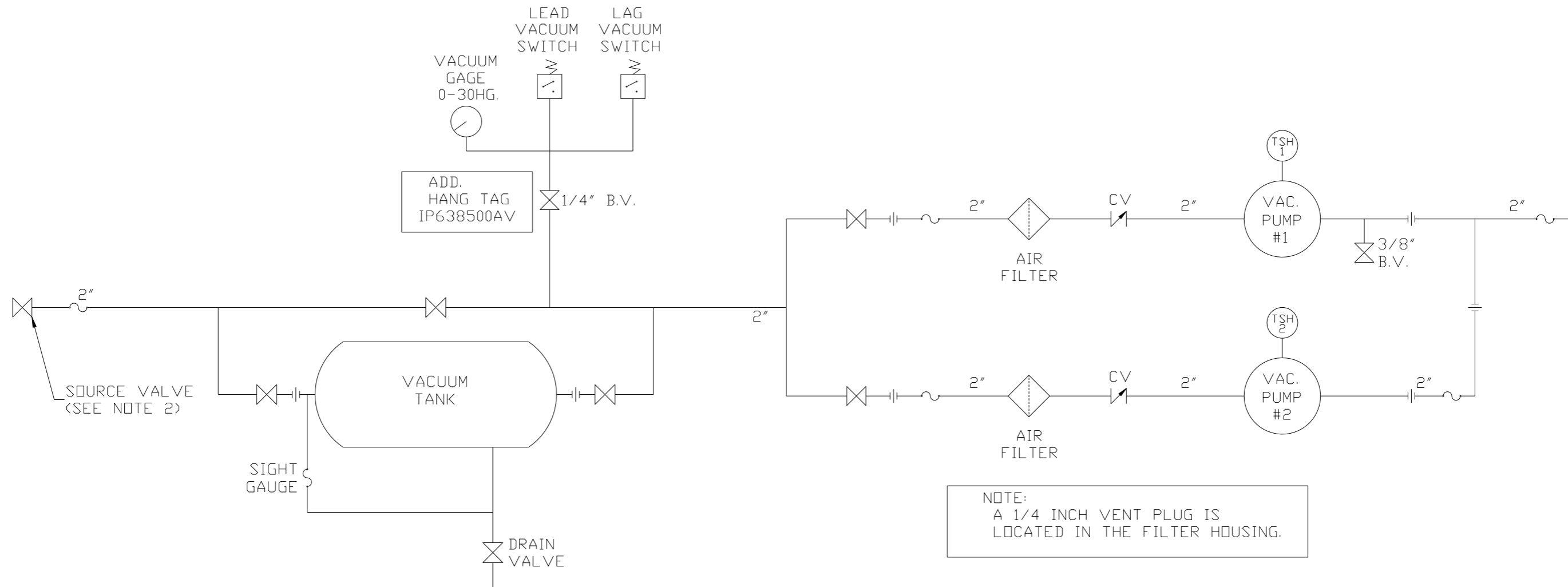
REV	ZONE	REVISION	DATE	ECN	NAME	CHKD
B-1	ALL	ADDED STANDARD BUILD & FLOW SHEETS	5/8/12	22725	AEK	DMS
E-1	ALL	ADDED SIGHT GAUGE	9/19/12	PXEC0019	AEK	DMS
F-1	1 ALL	UPDATED PUMP MOUNTING TO AM10080BAV X-MEMBERS	11/29/12	22723	AEK	DMS
F-2	2 CS	MOVED VAC SWITCH MANIFOLD TO CORRECT LOCATION	12/28/12	22723	AEK	DMS
G-1	1 ALL	UPDATED TO NEW RA SERIES PUMP	9/22/16	PXEC0148	AEK	GES



NOTE: SYSTEM DESIGNED IN COMPLIANCE WITH U.S. NFPA '99, LATEST EDITION.

SYMBOL LEGEND ⊖ = MINUS DRAFT ⊕ = PLUS DRAFT TOLERANCES NOT SPECIFIED .XX ± .XXX ± <<DEG> ±		= ADDITIONAL CONTROL REQ'D = BRINELL HARDNESS		Drawings to conform to the current revision of the following ANSI standards: Y14.3 Multi and sectional view dsgs. Y14.5M Dimensioning and tolerancing
AUTOCAD REL2008 LT INCH		DO NOT SCALE DRAWING FOR DIMENSIONS Sheet 1 of 2 SCALE 1:12		
CONFIDENTIAL DISCLOSURE This drawing is the property of POWEREX, INC. of the SCOTT FETZER COMPANY and subject to return on demand. Its contents are confidential and must not be copied or submitted to outside parties for use or examination.		DRAWN BY AEK	CHECKED BY DMS	APPROVED BY AEK RJR
MATERIAL N/A		5/8/12	5/8/12	5/8/12 5/8/12
PART NAME 7.5HP. VACUUM 60GAL. DUPLEX		 150 PRODUCTION DRIVE, HARRISON, OHIO 45030 Ph: 888-769-7979 FAX: (513) 367-3125		DWG NO VPDT0752 SIZE D

REV	ZONE	REVISION	DATE	ECN	NAME	CHKD
B-1	ALL	ADDED STANDARD BUILD & FLOW SHEETS	5/8/12	22725	AEK	DMS
E-1	ALL	ADDED SIGHT GAUGE	9/19/12	PXEC0019	AEK	DMS
F-1	1 ALL	UPDATED PUMP MOUNTING TO AM01080AV X-MEMBERS	11/29/12	22723	AEK	DMS
F-2	2 CS	MOVED VAC SWITCH MANIFOLD TO CORRECT LOCATION	12/28/12	22723	AEK	DMS
G-1	1 ALL	UPDATED TO NEW RA SERIES PUMP	9/22/16	PXEC0148	AEK	GES



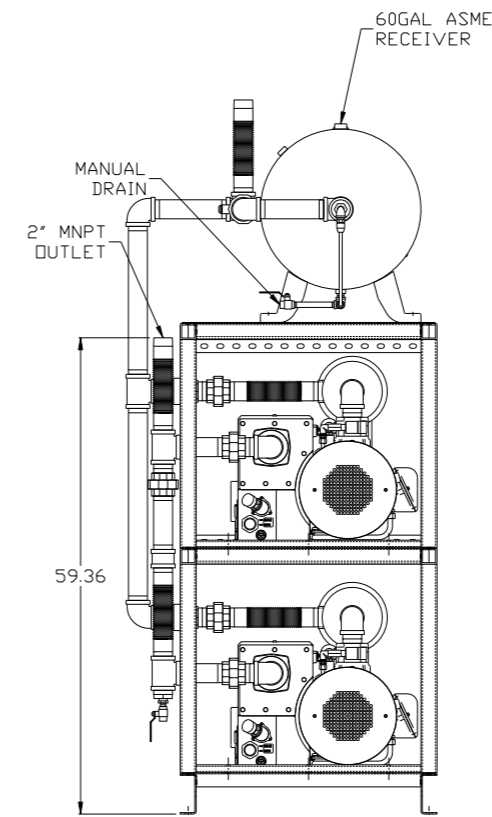
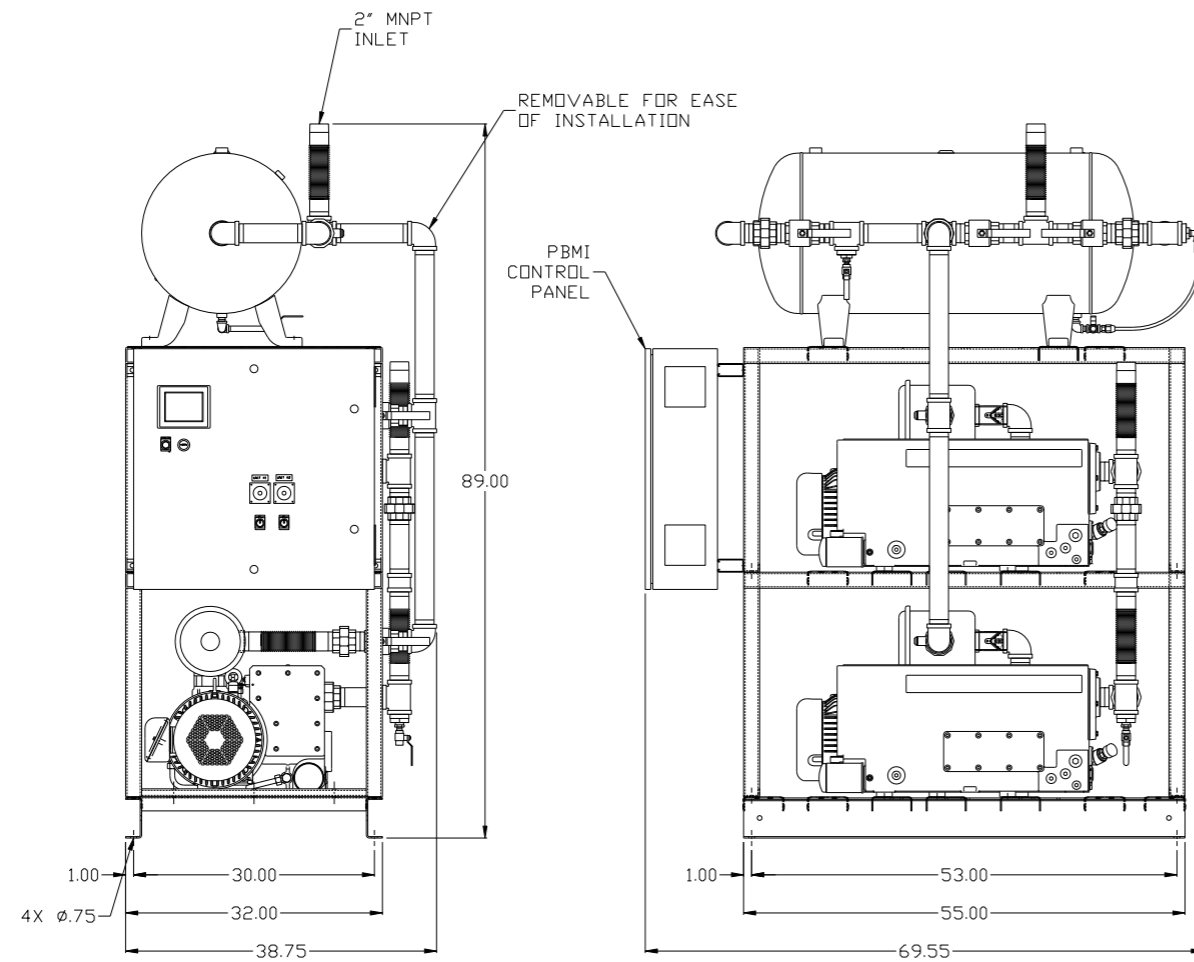
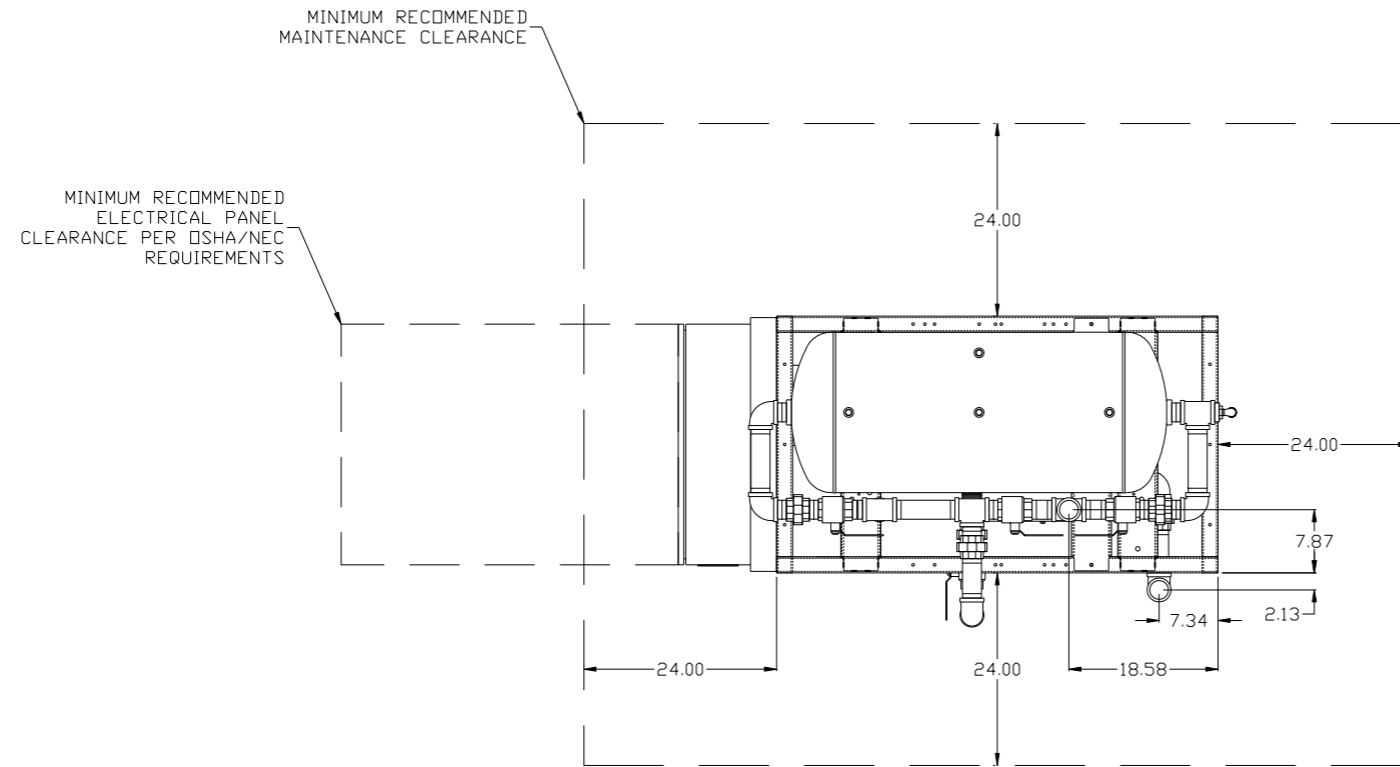
NOTE:
A 1/4 INCH VENT PLUG IS LOCATED IN THE FILTER HOUSING.

LEGEND	
TSH 2	TEMP. SWITCH
	AIR FILTER
	BALL VALVE
	VACUUM SWITCH
	CHECK VALVE
	FLEX LINE
	UNION

NOTES:
1) TSH - TEMPERATURE SWITCH HIGH (OPTIONAL)
2) PER NFPA THE SYSTEM WILL REQUIRE A SOURCE VALVE (SUPPLIED BY OTHERS).

SYMBOL LEGEND ⊖ = MINUS DRAFT ⊕ = PLUS DRAFT ⊕ = ADDITIONAL CONTROL REQ'D ⊕ = BRINELL HARDNESS		Drawings to conform to the current revision of the following ANSI standards: Y14.3 Multi and sectional view dgs. Y14.5M Dimensioning and tolerancing	
TOLERANCES NOT SPECIFIED .XX ± .XXX ± <<DEG.> ±		AUTOCAD REL2008 LT INCH DO NOT SCALE DRAWING FOR DIMENSIONS	
CONFIDENTIAL DISCLOSURE This drawing is the property of POWEREX, INC. of the SCOTT FETZER COMPANY and subject to return on demand. Its contents are confidential and must not be copied or submitted to outside parties for use or examination.		Sheet 2 of 2 SCALE 1:12	
MATERIAL N/A		DRAWN BY AEK CHECKED BY DMS APPROVED BY AEK RJR	
PART NAME DUPLEX VACUUM FLOW SCHEMATIC		 150 PRODUCTION DRIVE, HARRISBURG, OHIO 45030 Ph: 888-769-7979 FAX: (513) 367-3125	
DWG NO VPDT0752		SIZE D	

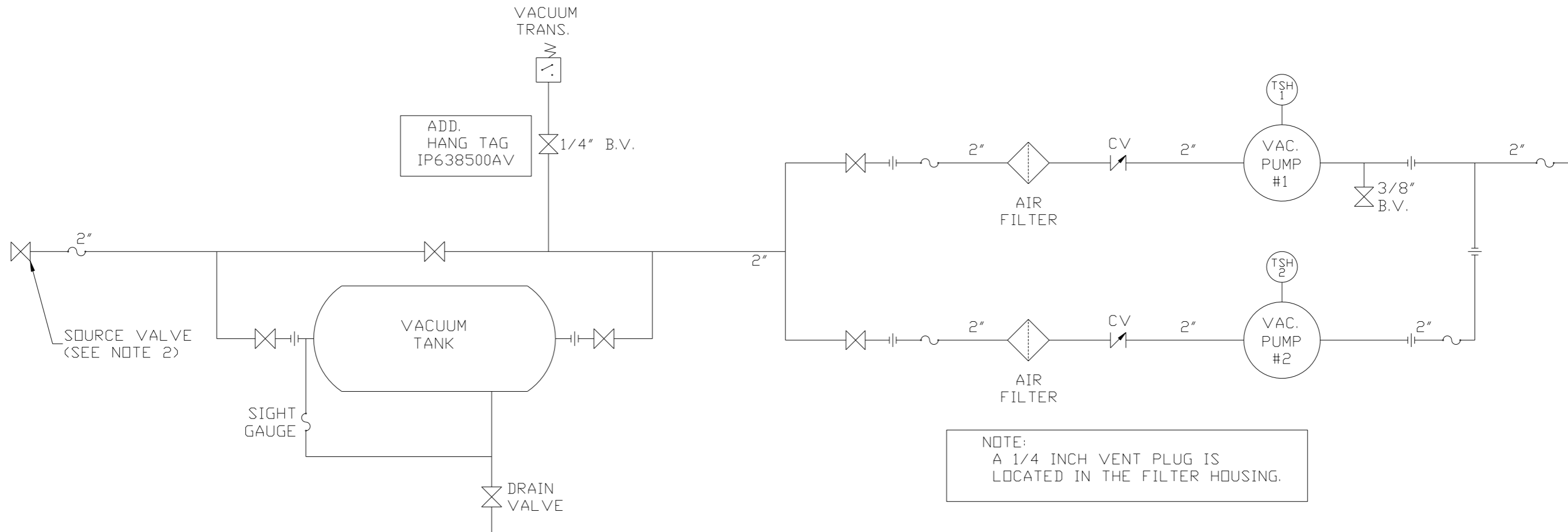
REV	ZONE	REVISION	DATE	ECN	NAME	CHKD
B-1	ALL	RELEASE TO PRODUCTION	1/5/12	22722	AEK	GES
C-1	1 ALL	UPDATED PANEL MOUNTING	2/7/12	22723	AEK	GES
D-1	ALL	ADDED STANDARD BUILD & FLOW SHEETS	5/8/12	22725	AEK	DMS
E-1	ALL	ADDED SIGHT GAUGE	9/19/12	PXEC0019	AEK	DMS
F-1	1 ALL	UPDATED PUMP MOUNTING TO AM1080BAV X-MEMBERS	11/29/12	22723	AEK	DMS
F-2	2 CS	MOVED VAC SWITCH MANIFOLD TO CORRECT LOCATION	12/28/12	22723	AEK	DMS
G-1	1 ALL	UPDATED TO NEW RA SERIES PUMP	9/22/16	PXEC0148	AEK	GES



NOTE: SYSTEM DESIGNED IN COMPLIANCE WITH U.S. NFPA '99, LATEST EDITION.

SYMBOL LEGEND ⊖ = MINUS DRAFT ⊕ = PLUS DRAFT .XX ± .XXX ± \angle (DEG) ±		= ADDITIONAL CONTROL REQ'D = BRINELL HARDNESS		Drawings to conform to the current revision of the following ANSI standards: Y14.3 Multi and sectional view dgs. Y14.5M Dimensioning and tolerancing
TOLERANCES NOT SPECIFIED AUTOCAD REL2008 LT INCH		DO NOT SCALE DRAWING FOR DIMENSIONS Sheet 1 of 2 SCALE 1:12		
CONFIDENTIAL DISCLOSURE This drawing is the property of POWEREX, INC. of the SCOTT FEITZER COMPANY and subject to return on demand. Its contents are confidential and must not be copied or submitted to outside parties for use or examination.				
DRAWN BY AEK	CHECKED BY GES	APPROVED BY ENGINEERING DMS	MFG/MKTG RJR	
1/5/12	1/5/12	1/5/12	1/5/12	
MATERIAL N/A		 150 PRODUCTION DRIVE, HARRISON, OHIO 45030 Ph: 888-769-7979 FAX: (513) 367-3125		
PART NAME 7.5HP. VACUUM 60GAL. DUPLEX		DWG NO VPDT0752	SIZE D	

REV	ZONE	REVISION	DATE	ECN	NAME	CHKD
B-1	ALL	RELEASE TO PRODUCTION	1/5/12	22722	AEK	GES
C-1	1 ALL	UPDATED PANEL MOUNTING	2/7/12	22723	AEK	GES
D-1	ALL	ADDED STANDARD BUILD & FLOW SHEETS	5/8/12	22725	AEK	DMS
E-1	ALL	ADDED SIGHT GAUGE	9/19/12	PXEC0019	AEK	DMS
F-1	1 ALL	UPDATED PUMP MOUNTING TO AMI0808AV X-MEMBERS	11/29/12	22723	AEK	DMS
F-2	2 CS	MOVED VAC SWITCH MANIFOLD TO CORRECT LOCATION	12/28/12	22723	AEK	DMS
G-1	1 ALL	UPDATED TO NEW RA SERIES PUMP	9/22/16	PXEC0148	AEK	GES



NOTE:
A 1/4 INCH VENT PLUG IS
LOCATED IN THE FILTER HOUSING.

NOTES:
1) TSH - TEMPERATURE SWITCH HIGH
2) PER NFPA THE SYSTEM WILL REQUIRE A SOURCE VALVE (SUPPLIED BY OTHERS).

LEGEND	
TSH	TEMP. SWITCH
	AIR FILTER
	BALL VALVE
	VACUUM SWITCH
	CHECK VALVE
	FLEX LINE
	UNION

SYMBOL LEGEND		= ADDITIONAL CONTROL REQ'D	Drawings to conform to the current revision of the following ANSI standards:
= MINUS DRAFT	= PLUS DRAFT	= BRINELL HARDNESS	Y14.3 Multi and sectional view dgs. Y14.5M Dimensioning and tolerancing
TOLERANCES NOT SPECIFIED	AUTOCAD REL2008 LT	DO NOT SCALE DRAWING FOR DIMENSIONS	
.XX ±	INCH	Sheet 2 of 2	SCALE 1:12
CONFIDENTIAL DISCLOSURE This drawing is the property of POWEREX, INC. of the SCOTT FETZER COMPANY and subject to return on demand. Its contents are confidential and must not be copied or submitted to outside parties for use or examination.			
DRAWN BY	CHECKED BY	APPROVED BY	DATE
AEK	GES	DMS	RJR
1/5/12	1/5/12	1/5/12	1/5/12
MATERIAL N/A			
PART NAME		150 PRODUCTION DRIVE, HARRISON, OHIO 45030 Ph: 888-769-7979 FAX: (513) 367-3125	
DUPLEX VACUUM FLOW SCHEMATIC		DWG NO	SIZE
		VPDT0752	D