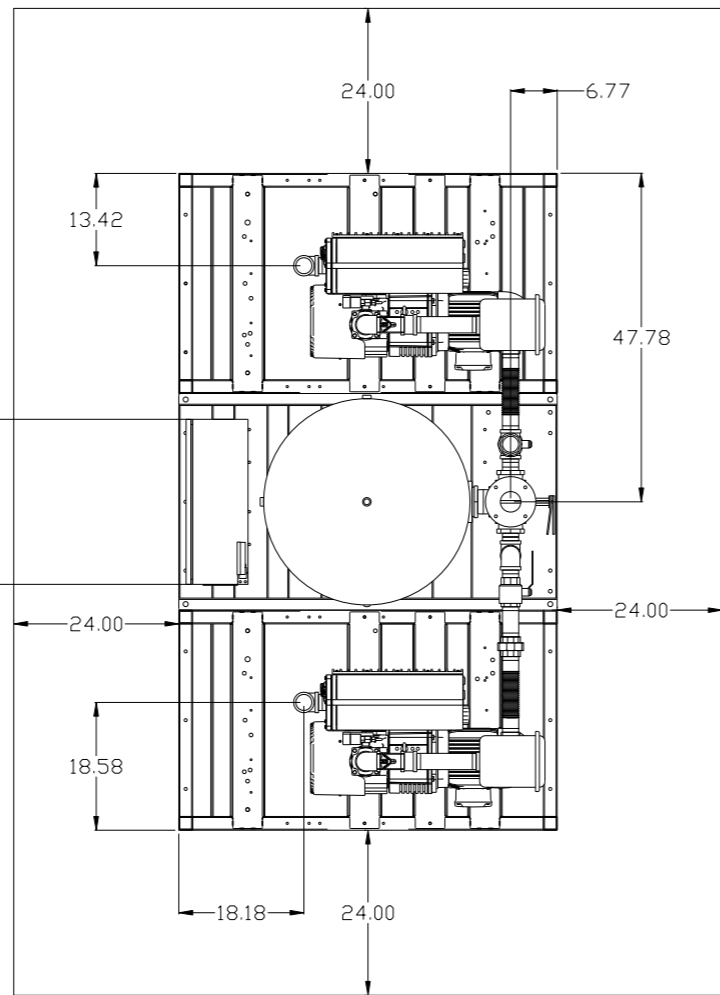
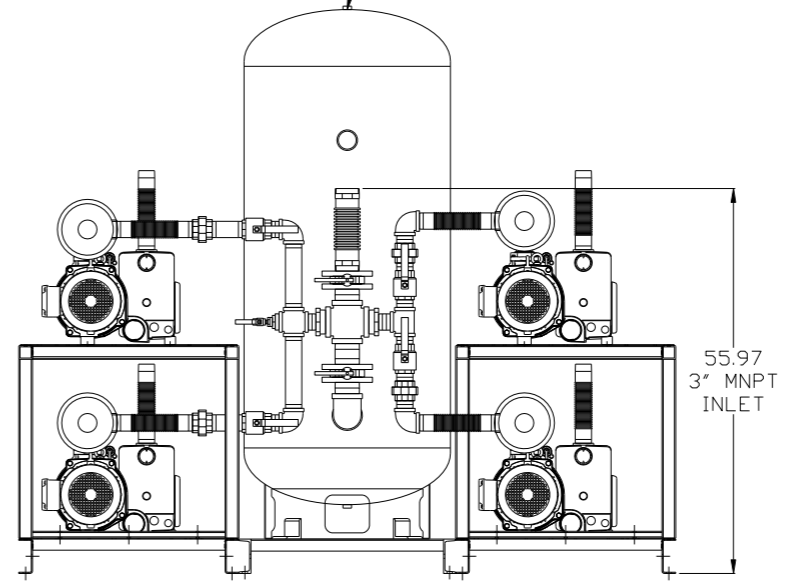
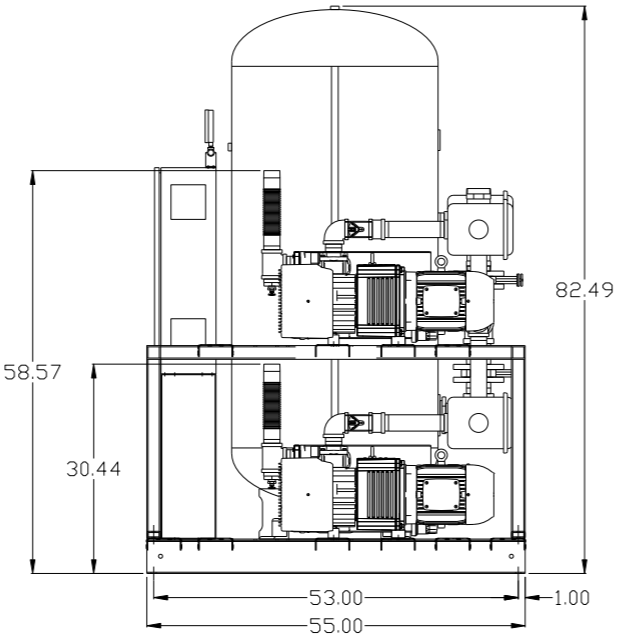
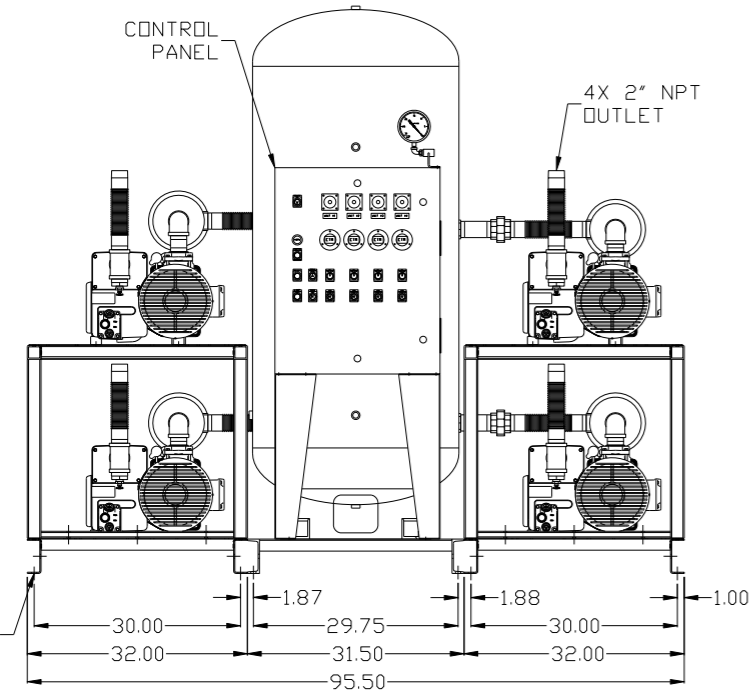


REV	ZONE	REVISION	DATE	ECN	NAME	CHKD
B-1	ALL	RELEASE FOR PRODUCTION	9/2/10	22487	AEK	GES
C-1	ALL	CHANGED BV/UNIONS TO BUTTERFLY VALVES				
	2	ADDED SIGHT GAUGE	12/21/15	PXEC0030	AEK	GES
	2	ADDED SOURCE VALVE INFORMATION				
	ALL	ADDED P&ID SHEETS				
D-1	1	UPDATED TO RA SERIES PUMP	2/7/18	PXEC0148	AEK	GES



MINIMUM RECOMMENDED MAINTENANCE CLEARANCE

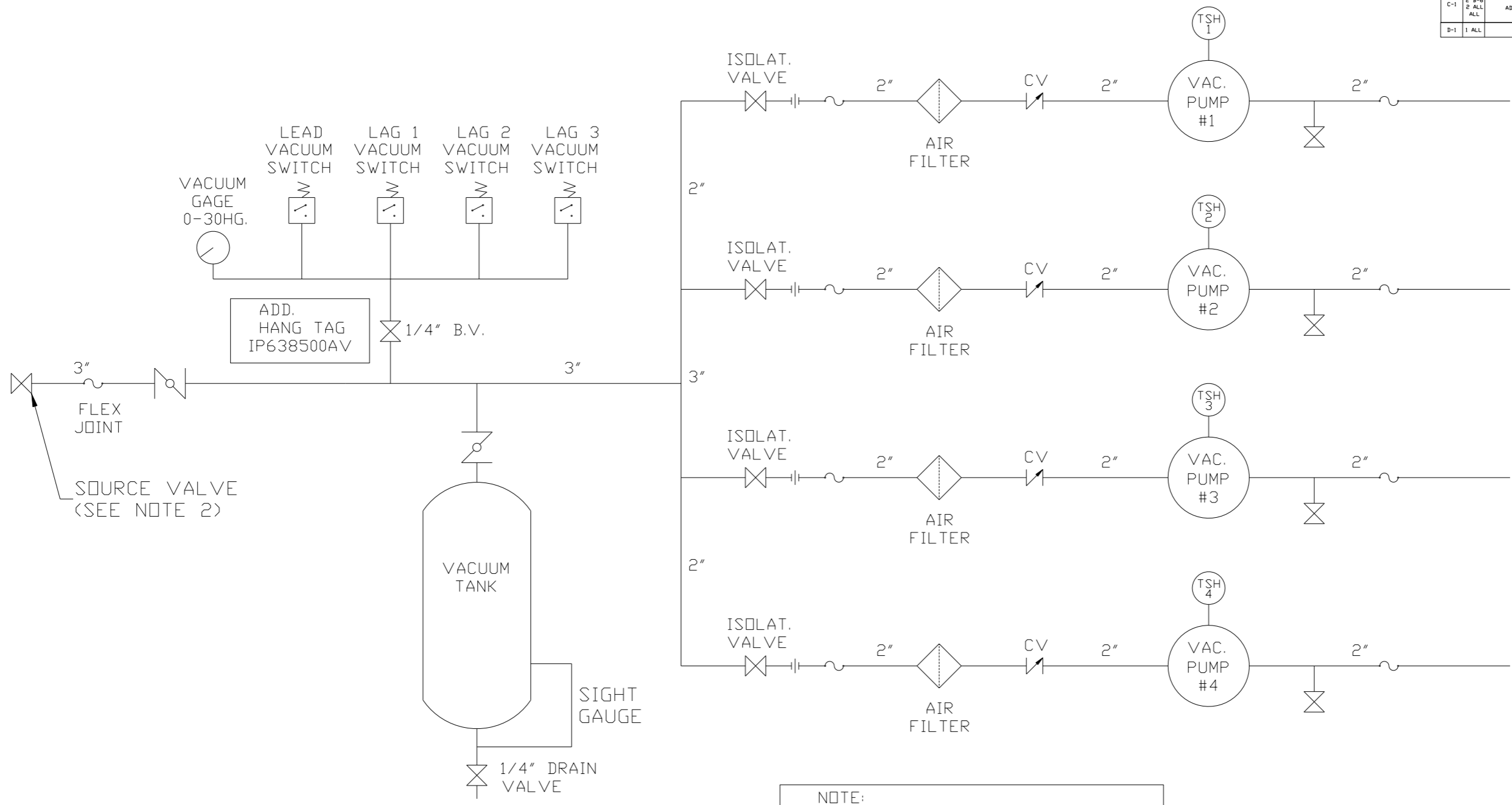
200GAL ASME RECEIVER



NOTE: SYSTEM DESIGNED IN COMPLIANCE WITH U.S. NFPA '99, LATEST EDITION.

SYMBOL LEGEND		= ADDITIONAL CONTROL REQ'D		Drawings to conform to the current revision of the following ANSI standards	
⊖ = MINUS DRAFT		⊕ = PLUS DRAFT		Y14.3 Multi and sectional view dgs.	
⊖ = MINUS DRAFT		⊕ = PLUS DRAFT		Y14.5M Dimensioning and tolerancing	
TOLERANCES NOT SPECIFIED		AUTOCAD REL2008 LT		DO NOT SCALE DRAWING FOR DIMENSIONS	
.XX ±		INCH		Sheet 1 of 2	
.XXX ±				SCALE 1:14	
∠(DEG) ±					
CONFIDENTIAL DISCLOSURE					
This drawing is the property of POWEREX, INC. of the SCOTT FETZER COMPANY and subject to return on demand. Its contents are confidential and must not be copied or submitted to outside parties for use or examination.					
MATERIAL		N/A		DRAWN BY	
PART NAME		5HP VACUUM		CHECKED BY	
200GAL QUADPLEX				ENGINEERING	
				MFG/MKTG	
				AEK	
				GES	
				DMS	
				RJR	
				9/2/10	
				9/2/10	
				9/2/10	
				9/2/10	
DWG NO		VPQ0505		SIZE	
				D	

REV	ZONE	REVISION	DATE	ECN	NAME	CHKD
B-1	ALL	RELEASE FOR PRODUCTION	9/2/10	22487	AEK	GES
C-1	ALL	CHANGED BV/UNIONS TO BUTTERFLY VALVES				
	2 B-6	ADDED SIGHT GAUGE				
	2 ALL	ADDED SOURCE VALVE INFORMATION	12/21/15	PXEC0030	AEK	GES
	ALL	ADDED P&ID/WH SHEETS				
D-1	1 ALL	UPDATED TO RA SERIES PUMP	2/7/18	PXEC0148	AEK	GES



NOTE:
A 1/4 INCH VENT PLUG IS
LOCATED IN THE FILTER HOUSING.

LEGEND	
	TEMP. SWITCH
	AIR FILTER
	BALL VALVE
	BUTTERFLY VALVE
	VACUUM SWITCH
	CHECK VALVE
	FLEX LINE
	UNION

NOTES:
1) TSH - TEMPERATURE SWITCH HIGH
2) PER NFPA THE SYSTEM WILL REQUIRE A SOURCE VALVE (SUPPLIED BY OTHERS).

SYMBOL LEGEND			= ADDITIONAL CONTROL REQ'D	Drawings to conform to the current revision of the following ANSI standards: Y14.3 Multi and sectional view dgs. Y14.5M Dimensioning and tolerancing
	= MINUS DRAFT		= BRINELL HARDNESS	
TOLERANCES NOT SPECIFIED		AUTOCAD REL2008 LT	DO NOT SCALE DRAWING FOR DIMENSIONS	
.XX ±		INCH	Sheet 2 of 2	SCALE 1:14
CONFIDENTIAL DISCLOSURE This drawing is the property of POWEREX, INC. of the SCOTT FELTZER COMPANY and subject to return on demand. Its contents are confidential and must not be copied or submitted to outside parties for use or examination.				
DRAWN BY	CHECKED BY	ENGINEERING	MFG/MKTG	
AEK	GES	DMS	RJR	
DATE	DATE	DATE	DATE	
9/2/10	9/2/10	9/2/10	9/2/10	
MATERIAL		N/A		
PART NAME		VACUUM PACKAGE QUADPLEX		
FLOW SCHEMATIC		DWG NO VPQ0505		
SIZE		D		

REV	ZONE	REVISION	DATE	ECN	NAME	CHKD
C-1	ALL	CHANGED BV/UNIONS TO BUTTERFLY VALVES				
	2 B-6	ADDED SIGHT GAUGE				
	2 ALL	ADDED SOURCE VALVE INFORMATION	12/21/15	PXEC0030	AEK	GES
	ALL	ADDED PBMI/HMI SHEETS				
D-1	1 ALL	UPDATED TO RA SERIES PUMP	2/7/18	PXEC0148	AEK	GES

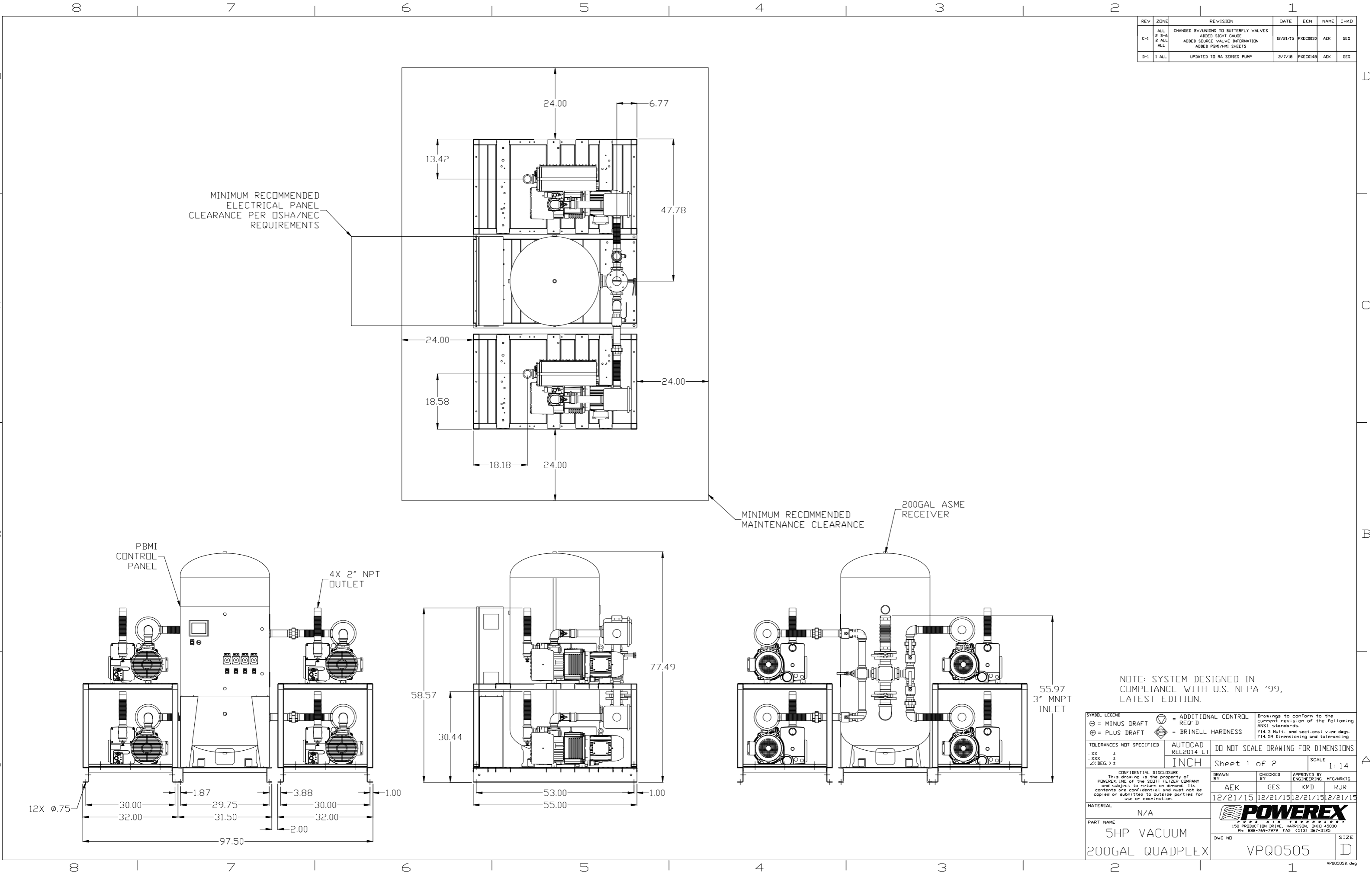
MINIMUM RECOMMENDED ELECTRICAL PANEL CLEARANCE PER OSHA/NEC REQUIREMENTS

MINIMUM RECOMMENDED MAINTENANCE CLEARANCE

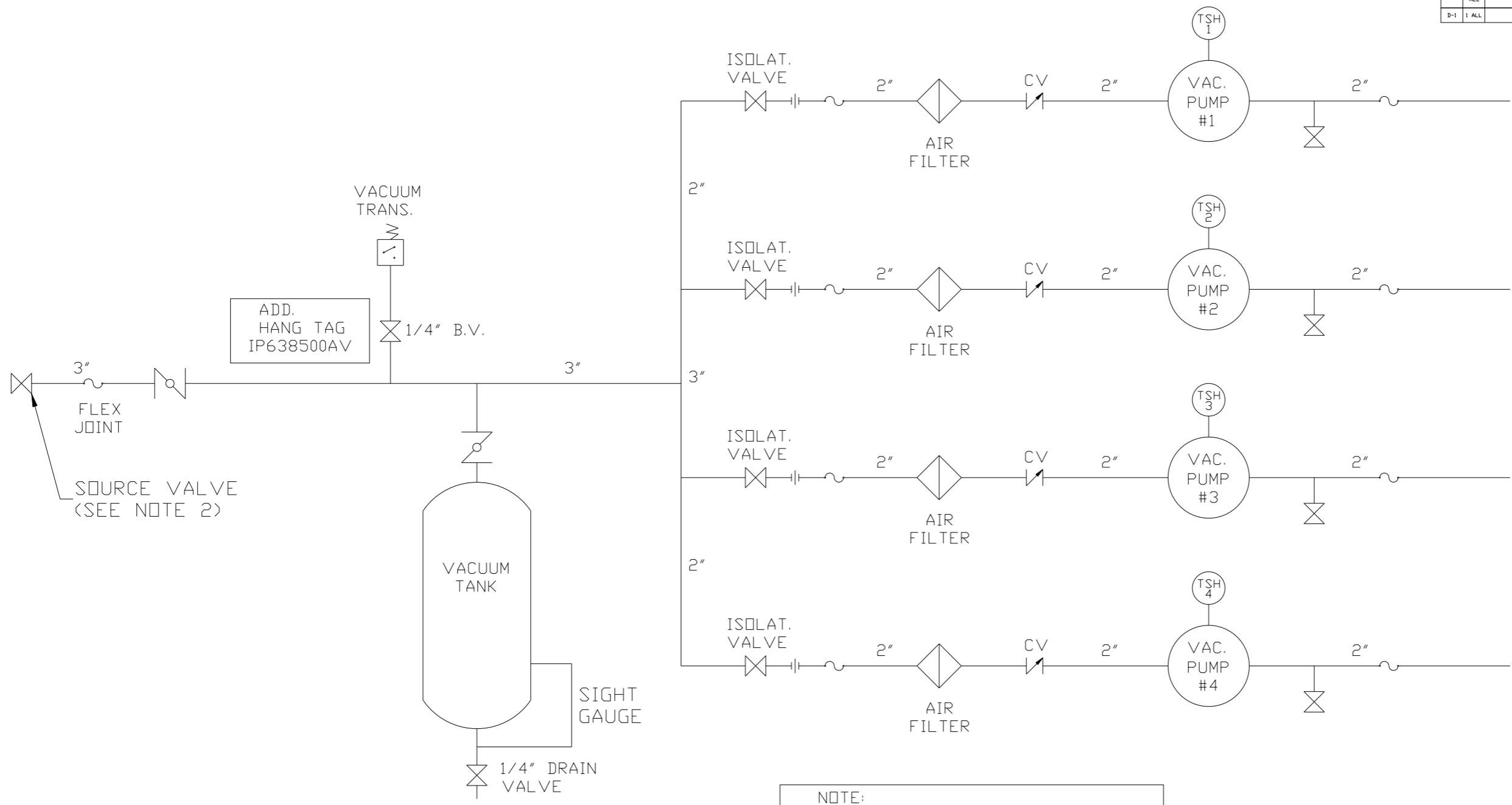
200GAL ASME RECEIVER

NOTE: SYSTEM DESIGNED IN COMPLIANCE WITH U.S. NFPA '99, LATEST EDITION.

SYMBOL LEGEND ⊖ = MINUS DRAFT ⊕ = PLUS DRAFT Ⓢ = ADDITIONAL CONTROL REQ'D Ⓜ = BRINELL HARDNESS		Drawings to conform to the current revision of the following ANSI standards: Y14.3 Multi and sectional view dgs. Y14.5M Dimensioning and tolerancing	
TOLERANCES NOT SPECIFIED .XX ± .XXX ± \angle DEG ±		AUTOCAD REL2014 LT INCH DO NOT SCALE DRAWING FOR DIMENSIONS Sheet 1 of 2 SCALE 1:14	
CONFIDENTIAL DISCLOSURE This drawing is the property of POWEREX, INC. of the SCOTT FETZER COMPANY and subject to return on demand. Its contents are confidential and must not be copied or submitted to outside parties for use or examination.			
MATERIAL N/A		DRAWN BY AEK 12/21/15	
PART NAME 5HP VACUUM 200GAL QUADPLEX		CHECKED BY GES 12/21/15	
DWG NO VPQ0505		APPROVED BY KMD 12/21/15	
SIZE D		MFG/MRKTG RJR 12/21/15	



REV	ZONE	REVISION	DATE	ECN	NAME	CHKD
C-1	ALL	CHANGED BV/UNIONS TO BUTTERFLY VALVES				
	2 B-6	ADDED SIGHT GAUGE	12/21/15	PXEC0030	AEK	GES
	2 ALL	ADDED SOURCE VALVE INFORMATION				
	ALL	ADDED PBM/HMI SHEETS				
D-1	1 ALL	UPDATED TO RA SERIES PUMP	2/7/18	PXEC0148	AEK	GES



NOTE:
A 1/4 INCH VENT PLUG IS
LOCATED IN THE FILTER HOUSING.

LEGEND	
	TEMP. SWITCH
	AIR FILTER
	BALL VALVE
	BUTTERFLY VALVE
	VACUUM SWITCH
	CHECK VALVE
	FLEX LINE
	UNION

NOTES:
1) TSH - TEMPERATURE SWITCH HIGH
2) PER NFPA THE SYSTEM WILL REQUIRE A SOURCE VALVE (SUPPLIED BY OTHERS).

SYMBOL LEGEND			ADDITIONAL CONTROL REQ'D	Drawings to conform to the current revision of the following ANSI standards: Y14.3 Multi and sectional view dgs. Y14.5M Dimensioning and tolerancing
	MINUS DRAFT		BRINELL HARDNESS	
TOLERANCES NOT SPECIFIED		AUTOCAD REL2014 LT	DO NOT SCALE DRAWING FOR DIMENSIONS	
.XX ±		INCH	Sheet 2 of 2	SCALE 1:14
CONFIDENTIAL DISCLOSURE This drawing is the property of POWEREX, INC. of the SCOTT FETZER COMPANY and subject to return on demand. Its contents are confidential and must not be copied or submitted to outside parties for use or examination.		DRAWN BY AEK	CHECKED BY GES	APPROVED BY KMD RJR
MATERIAL N/A		12/21/15	12/21/15	12/21/15
PART NAME VACUUM PACKAGE QUADPLEX FLOW SCHEMATIC				SIZE D
		DWG NO VPQ0505		