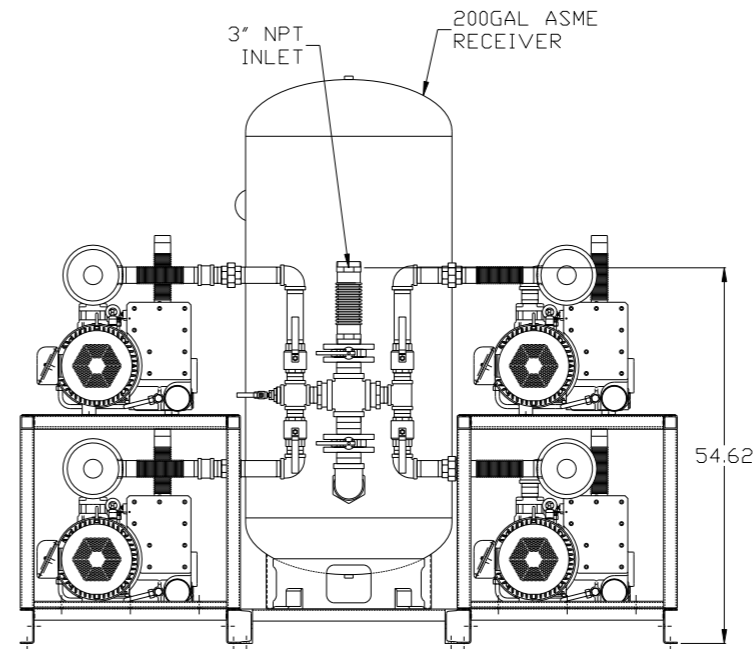
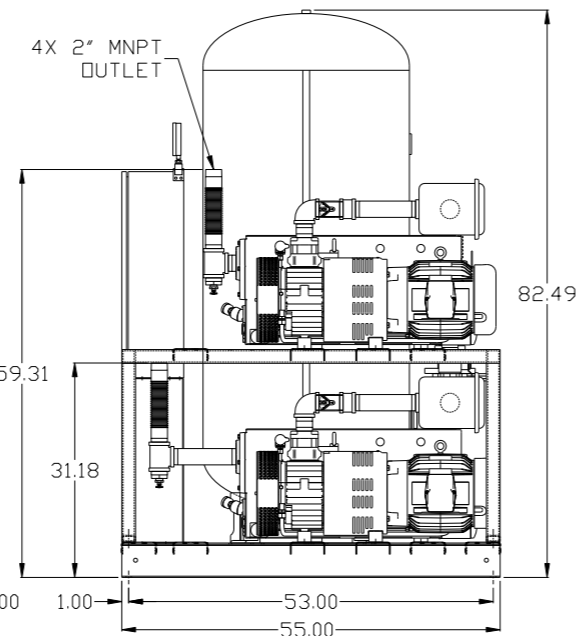
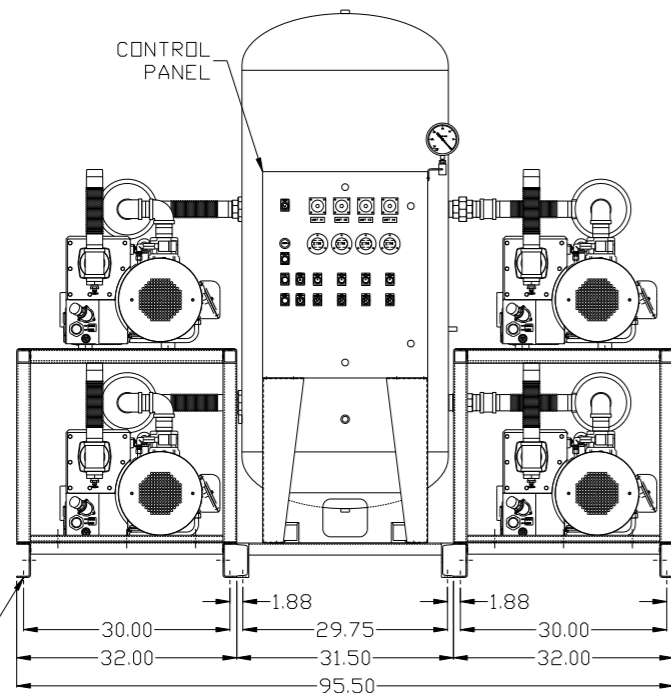


REV	ZONE	REVISION	DATE	ECN	NAME	CHKD
B-1	ALL	RELEASE TO PRODUCTION	4/17/08	21881	AEK	GES
C-1	2 ALL	REMOVED LOW OIL LEVEL SWITCH OPTION	8/18/08	21907	AEK	GES
D-1	1 ALL	REMOVED VACUUM SWITCHES FROM CONTROL PANEL	10/23/09	22127	AEK	GES
E-1	2 ALL 2 36 ALL	ADDED SOURCE VALVE INFORMATION ADDED SIGHT GAUGE CHANGED BALL VALVE/UNION TO BUTTERFLY VALVE ADDED P&ID SHEETS	12/11/15	PXEC0093	AEK	GES
F-1	1 ALL	UPDATED TO NEW RA SERIES PUMP	8/29/16	PXEC0148	AEK	GES

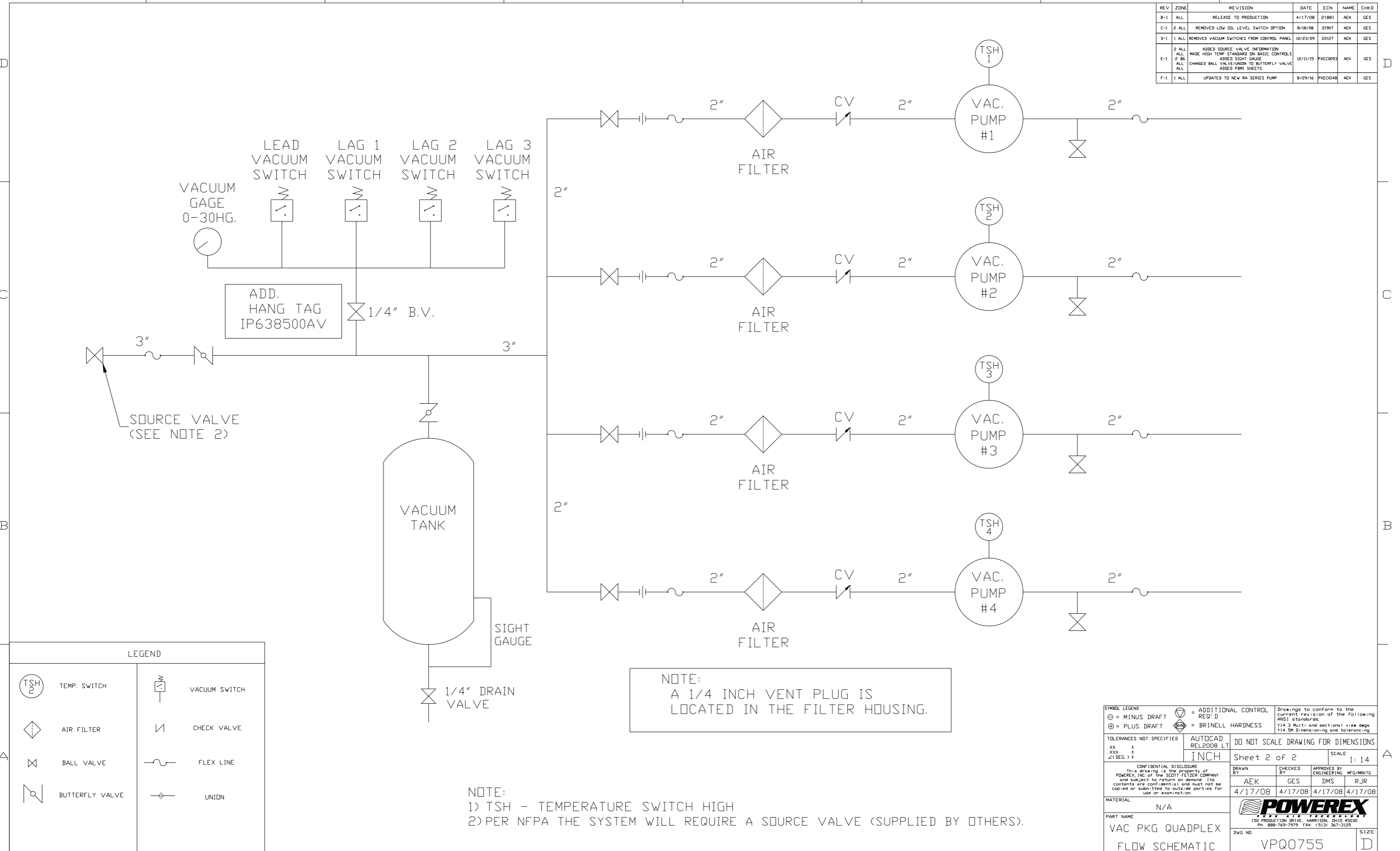
MINIMUM RECOMMENDED ELECTRICAL PANEL CLEARANCE PER OSHA/NEC REQUIREMENTS

MINIMUM RECOMMENDED MAINTENANCE CLEARANCE



SYMBOL LEGEND		= ADDITIONAL CONTROL REQ'D		Drawings to conform to the current revision of the following ANSI standards	
⊖ = MINUS DRAFT		= BRINELL HARDNESS		Y14.3 Multi and sectional view dsgs. Y14.5M Dimensioning and tolerancing	
⊕ = PLUS DRAFT					
TOLERANCES NOT SPECIFIED		AUTOCAD REL2008 LT		DO NOT SCALE DRAWING FOR DIMENSIONS	
.XX ±		INCH		Sheet 1 of 2	
.XXX ±				SCALE 1:14	
<math>\angle</math>(DEG) ±					
CONFIDENTIAL DISCLOSURE					
This drawing is the property of POWEREX, INC. of the SCOTT FEITZER COMPANY and subject to return on demand. Its contents are confidential and must not be copied or submitted to outside parties for use or examination.					
DRAWN BY		CHECKED BY		APPROVED BY	
AEK		GES		DMS RJR	
4/17/08		4/17/08		4/17/08 4/17/08	
MATERIAL N/A					
PART NAME					
7.5HP VACUUM 200GAL QUADPLEX					
DWG NO				SIZE	
VPQ0755				D	

REV	ZONE	REVISION	DATE	ECN	NAME	CHKD
B-1	ALL	RELEASE TO PRODUCTION	4/17/08	21881	AEK	GES
C-1	2 ALL	REMOVED LOW OIL LEVEL SWITCH OPTION	8/18/08	21907	AEK	GES
D-1	1 ALL	REMOVED VACUUM SWITCHES FROM CONTROL PANEL	10/23/09	22127	AEK	GES
E-1	2 ALL	ADDED SOURCE VALVE INFORMATION	12/11/15	PXEC0093	AEK	GES
	2 36	ADDED SIGHT GAUGE				
	ALL	CHANGED BALL VALVE/UNION TO BUTTERFLY VALVE ADDED P&ID SHEETS				
F-1	1 ALL	UPDATED TO NEW RA SERIES PUMP	8/29/16	PXEC0148	AEK	GES



ADD.  
HANG TAG  
IP638500AV

NOTE:  
A 1/4 INCH VENT PLUG IS  
LOCATED IN THE FILTER HOUSING.

NOTE:  
1) TSH - TEMPERATURE SWITCH HIGH  
2) PER NFPA THE SYSTEM WILL REQUIRE A SOURCE VALVE (SUPPLIED BY OTHERS).

LEGEND	
	TEMP. SWITCH
	AIR FILTER
	BALL VALVE
	BUTTERFLY VALVE
	VACUUM SWITCH
	CHECK VALVE
	FLEX LINE
	UNION

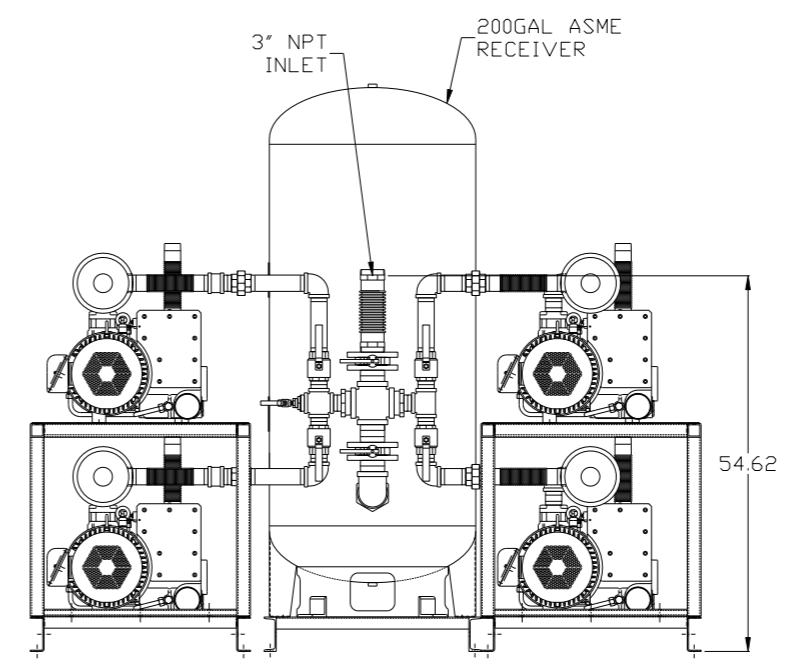
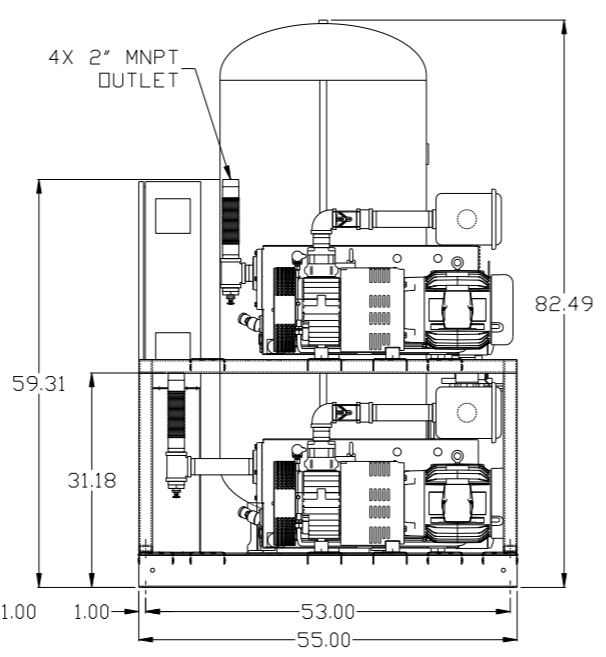
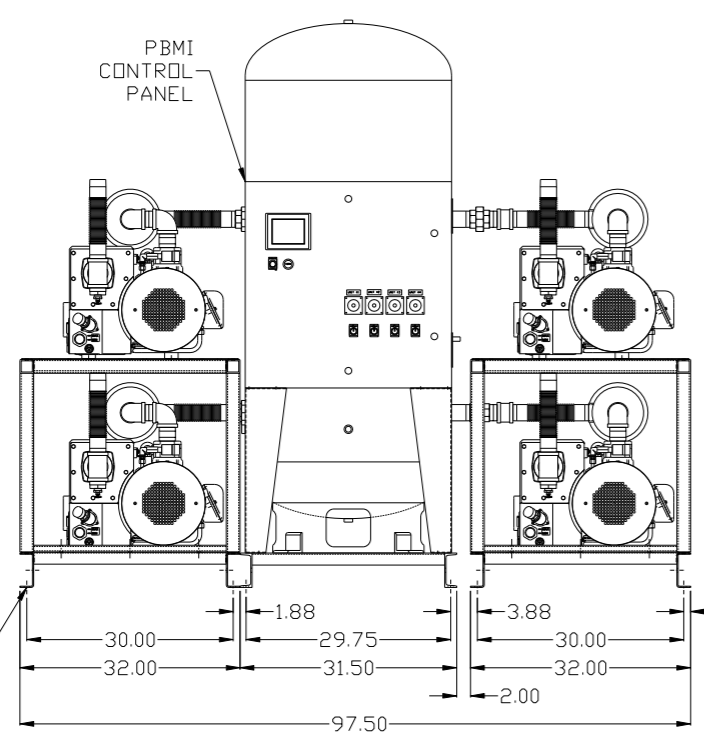
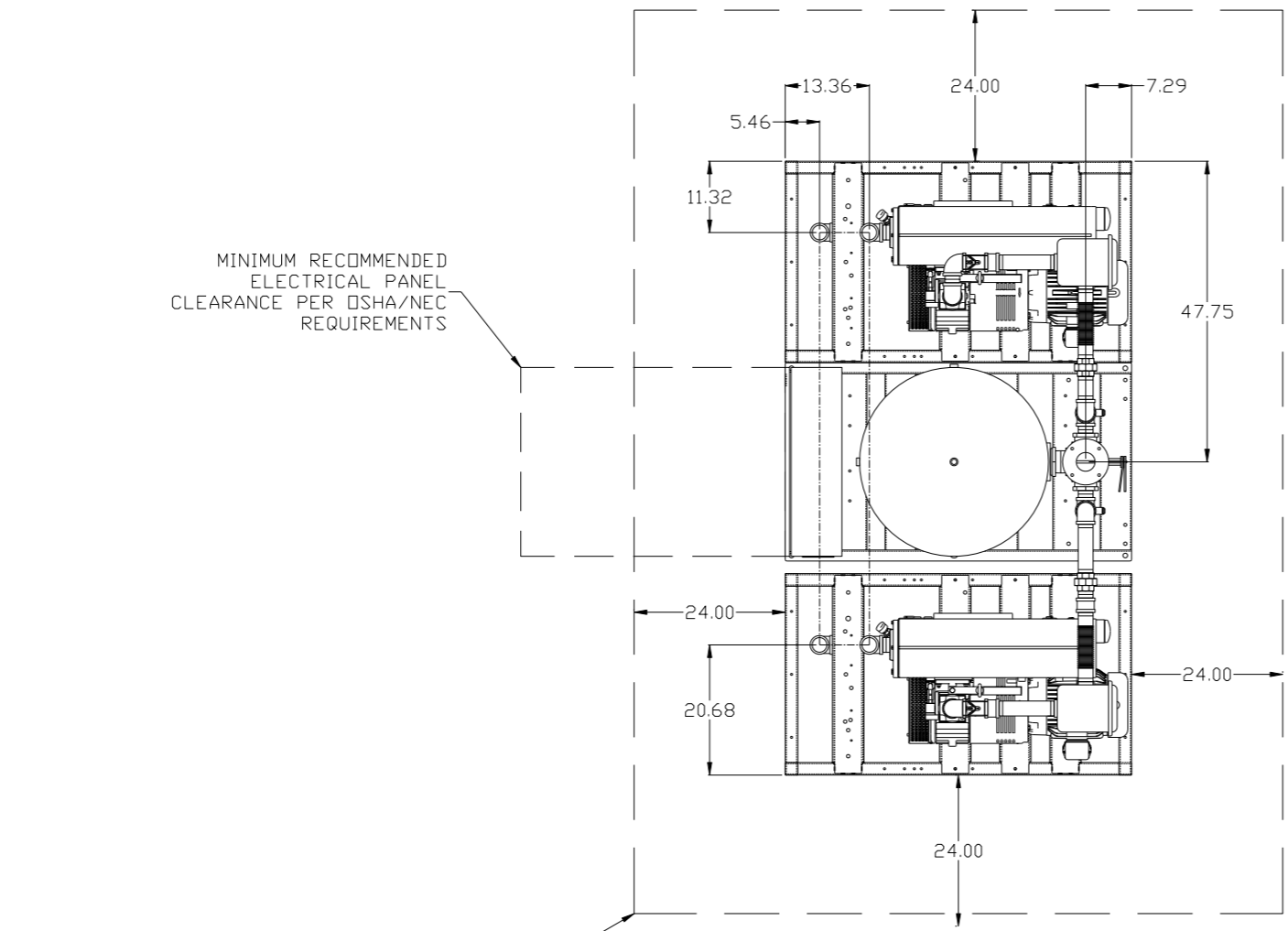
SYMBOL LEGEND			= ADDITIONAL CONTROL REQ'D		Drawings to conform to the current revision of the following ANSI standards: Y14.3 Multi and sectional view dsgs. Y14.5M Dimensioning and tolerancing
	= MINUS DRAFT		= BRINELL HARDNESS		
TOLERANCES NOT SPECIFIED		AUTOCAD REL2008 LT		DO NOT SCALE DRAWING FOR DIMENSIONS	
.XX ±		INCH		Sheet 2 of 2	SCALE 1:14
CONFIDENTIAL DISCLOSURE This drawing is the property of POWEREX, INC. of the SCOTT FETZER COMPANY and subject to return on demand. Its contents are confidential and must not be copied or submitted to outside parties for use or examination.					
DRAWN BY		CHECKED BY	ENGINEERING	MFG/MRKTG	
AEK		GES	DMS	RJR	
4/17/08		4/17/08	4/17/08	4/17/08	
MATERIAL		N/A			
PART NAME		VAC PKG QUADPLEX			
FLOW SCHEMATIC		VPQ0755			
DWG NO		SIZE D			

8 7 6 5 4 3 2 1

REV	ZONE	REVISION	DATE	ECN	NAME	CHKD
2	ALL	ADDED SOURCE VALVE INFORMATION				
E-1	ALL	MADE HIGH TEMP STANDARD ON BASIC CONTROLS	12/11/15	PXEC0093	AEK	GES
	2	ADDED SIGHT GAUGE				
	B6	CHANGED BALL VALVE/UNION TO BUTTERFLY VALVE				
	ALL	ADDED PBMI SHEETS				
F-1	1	UPDATED TO NEW RA SERIES PUMP	8/29/16	PXEC0148	AEK	GES

MINIMUM RECOMMENDED ELECTRICAL PANEL CLEARANCE PER OSHA/NEC REQUIREMENTS

MINIMUM RECOMMENDED MAINTENANCE CLEARANCE



<b>SYMBOL LEGEND</b> ⊖ = MINUS DRAFT ⊕ = PLUS DRAFT Ⓢ = ADDITIONAL CONTROL REQ'D Ⓢ = BRINELL HARDNESS		Drawings to conform to the current revision of the following ANSI standards: Y14.3 Multi and sectional view dsgs. Y14.5M Dimensioning and tolerancing	
TOLERANCES NOT SPECIFIED .XX ± .XXX ± <math>\angle</math> (DEG) ±		DO NOT SCALE DRAWING FOR DIMENSIONS Sheet 1 of 2 SCALE 1:14	
CONFIDENTIAL DISCLOSURE This drawing is the property of POWEREX, INC. of the SCOTT FEITZER COMPANY and subject to return on demand. Its contents are confidential and must not be copied or submitted to outside parties for use or examination.			
MATERIAL N/A		<b>POWEREX</b> 150 PRODUCTION DRIVE, HARRISON, OHIO 45030 Ph 888-769-7979 FAX (513) 367-3125	
PART NAME 7.5HP VACUUM 200GAL QUADPLEX		DWG NO VPQ0755 SIZE D	

8 7 6 5 4 3 2 1

REV	ZONE	REVISION	DATE	ECN	NAME	CHKD
2	ALL	ADDED SOURCE VALVE INFORMATION				
E-1	ALL	MADE HIGH TEMP STANDARD ON BASIC CONTROLS	12/11/15	PXEC0093	AEK	GES
		ADDED SIGHT GAUGE				
		CHANGED BALL VALVE/UNION TO BUTTERFLY VALVE				
		ADDED P&MI SHEETS				
F-1	1 ALL	UPDATED TO NEW RA SERIES PUMP	8/29/16	PXEC0148	AEK	GES

8 | 7 | 6 | 5 | 4 | 3 | 2 | 1

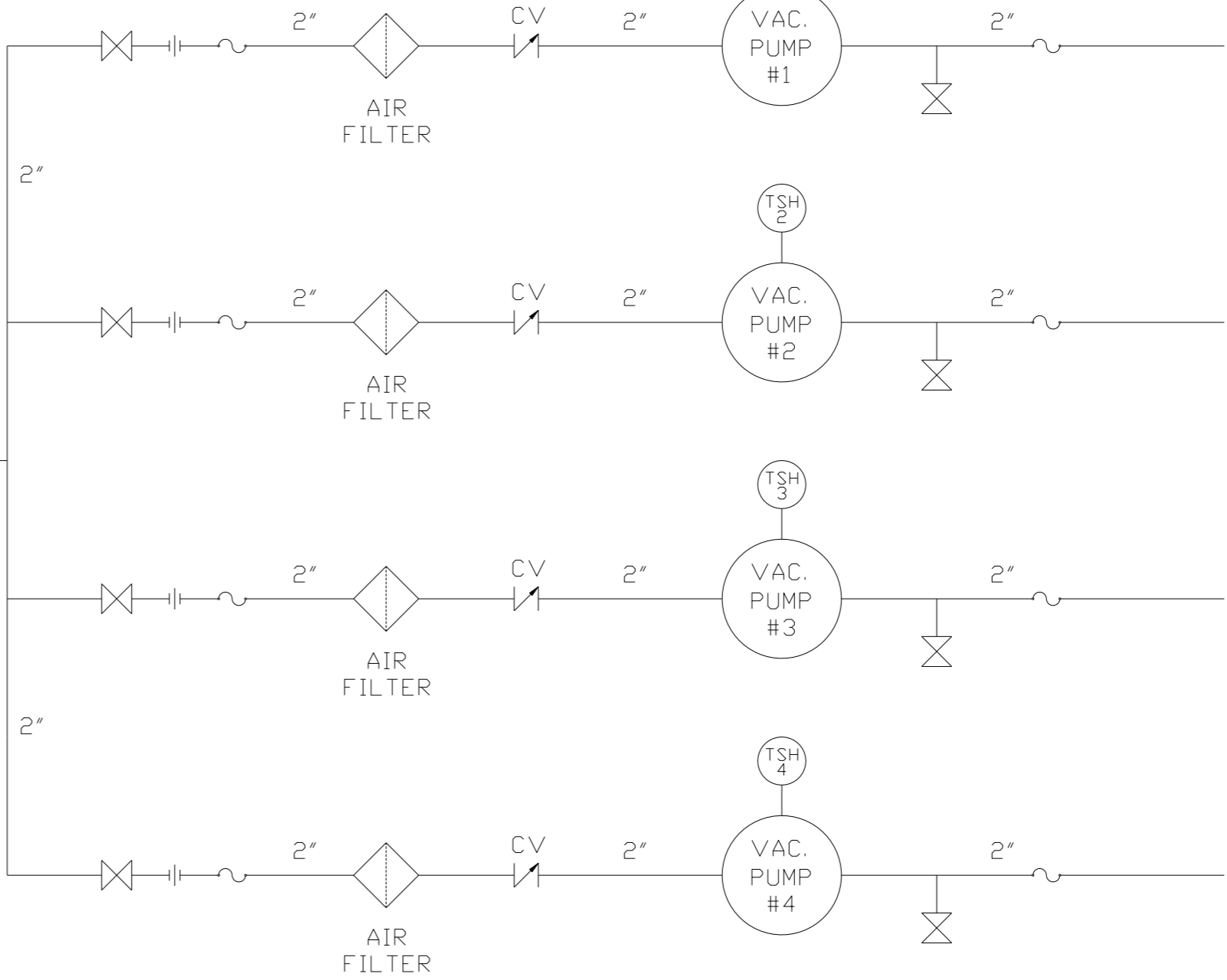
3" SOURCE VALVE (SEE NOTE 2)

ADD. HANG TAG IP638500AV

VACUUM TRANS.  
1/4" B.V.



SIGHT GAUGE  
1/4" DRAIN VALVE



NOTE:  
A 1/4 INCH VENT PLUG IS LOCATED IN THE FILTER HOUSING.

NOTE:  
1) TSH - TEMPERATURE SWITCH HIGH  
2) PER NFPA THE SYSTEM WILL REQUIRE A SOURCE VALVE (SUPPLIED BY OTHERS).

LEGEND	
	TEMP. SWITCH
	AIR FILTER
	BALL VALVE
	BUTTERFLY VALVE
	VACUUM SWITCH
	CHECK VALVE
	FLEX LINE
	UNION

SYMBOL LEGEND			ADDITIONAL CONTROL REQ'D	Drawings to conform to the current revision of the following ANSI standards
	MINUS DRAFT		BRINELL HARDNESS	Y14.3 Multi and sectional view deqs. Y14.5M Dimensioning and tolerancing
TOLERANCES NOT SPECIFIED		AUTOCAD REL2014 LT		DO NOT SCALE DRAWING FOR DIMENSIONS
.XX ±	.XXX ±	INCH		SCALE 1:14
CONFIDENTIAL DISCLOSURE		This drawing is the property of POWEREX, INC. or the SCOTT FETZER COMPANY and subject to return on demand. Its contents are confidential and must not be copied or submitted to outside parties for use or examination.		
DRAWN BY	CHECKED BY	ENGINEERING	MFG/MRKTG	
AEK	GES	KMD	RS	
12/11/15	12/11/15	12/11/15	12/11/15	
MATERIAL		N/A		
PART NAME		VAC PKG QUADPLEX FLOW SCHEMATIC		
DWG NO		VPQ0755		
SIZE		D		

8 | 7 | 6 | 5 | 4 | 3 | 2 | 1