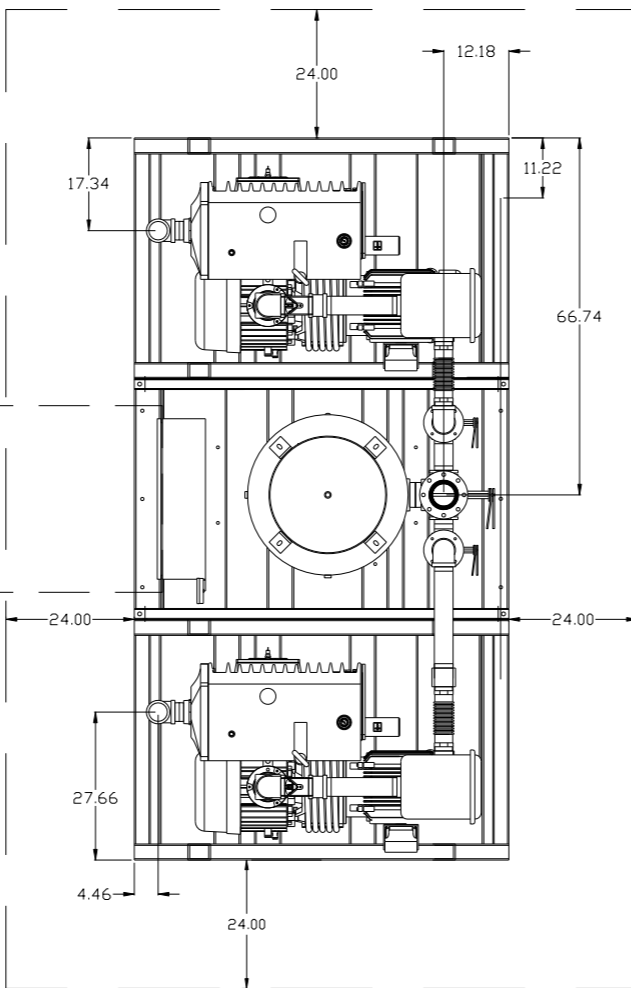
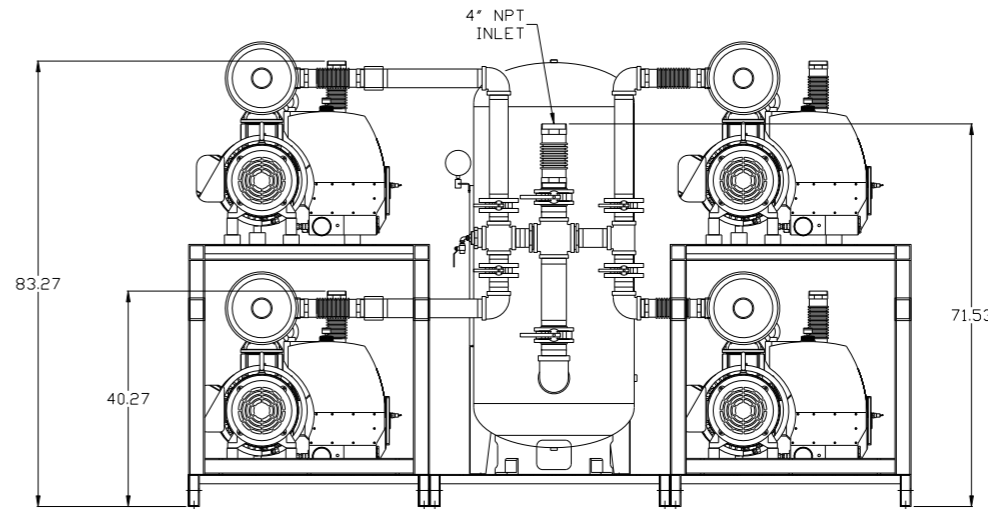
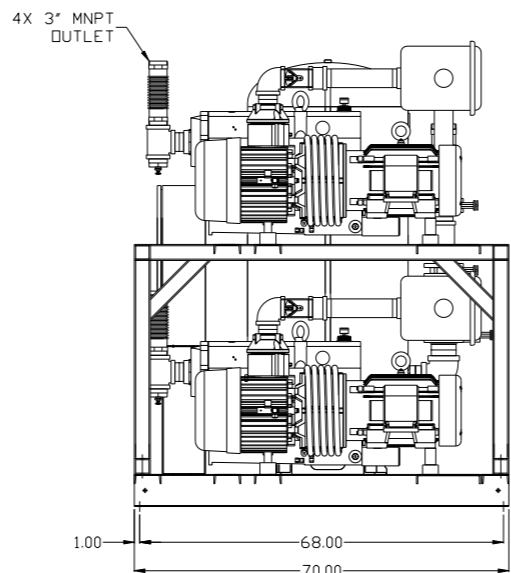
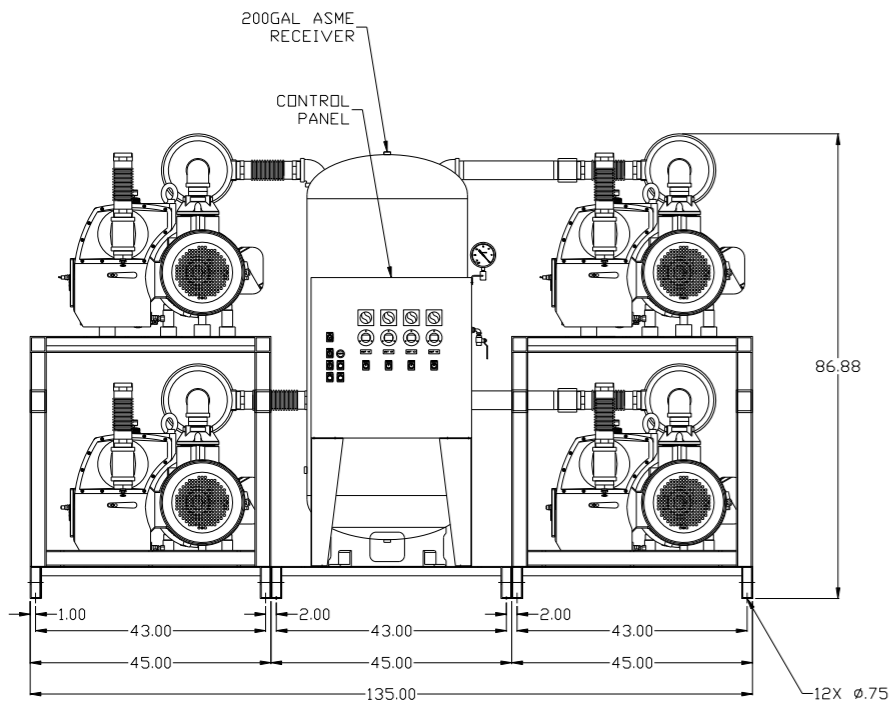


REV	ZONE	REVISION	DATE	ECN	NAME	CHKD
B-1	ALL	RELEASE TO PRODUCTION	4/24/08	21881	AEK	GES
C-1	2	REMOVED LOW OIL LEVEL SWITCH OPTION	8/18/08	21906	AEK	GES
D-1	1	REMOVED VACUUM SWITCHES FROM CONTROL PANEL	10/23/09	22127	AEK	GES
E-1	2	ADDED DRIP LEGS	6/16/10	22390	AEK	DMS
F-1	1	CORRECTED INLET FLEX LENGTH	10/6/10	22348	AEK	GES
		ADDED SKID WIDTH DIMS				
G-1	ALL	CHANGED BV/UNIONS TO BUTTERFLY VALVES	3/27/13	PXEC0030	AEK	GES
	2	ADDED SIGHT GAUGE				
	2	ADDED SOURCE VALVE INFORMATION				
	ALL	ADDED PBM/HMI SHEETS				
G-2	ALL	CORRECTED PUMPS, WERE CLAW	10/23/13	PXEC0030	GES	DMS
H-1	ALL	REMOVED GAUGE FROM PBM BUILD	4/19/18	PXEC0229	GES	DMS

MINIMUM RECOMMENDED ELECTRICAL PANEL CLEARANCE PER OSHA/NEC REQUIREMENTS

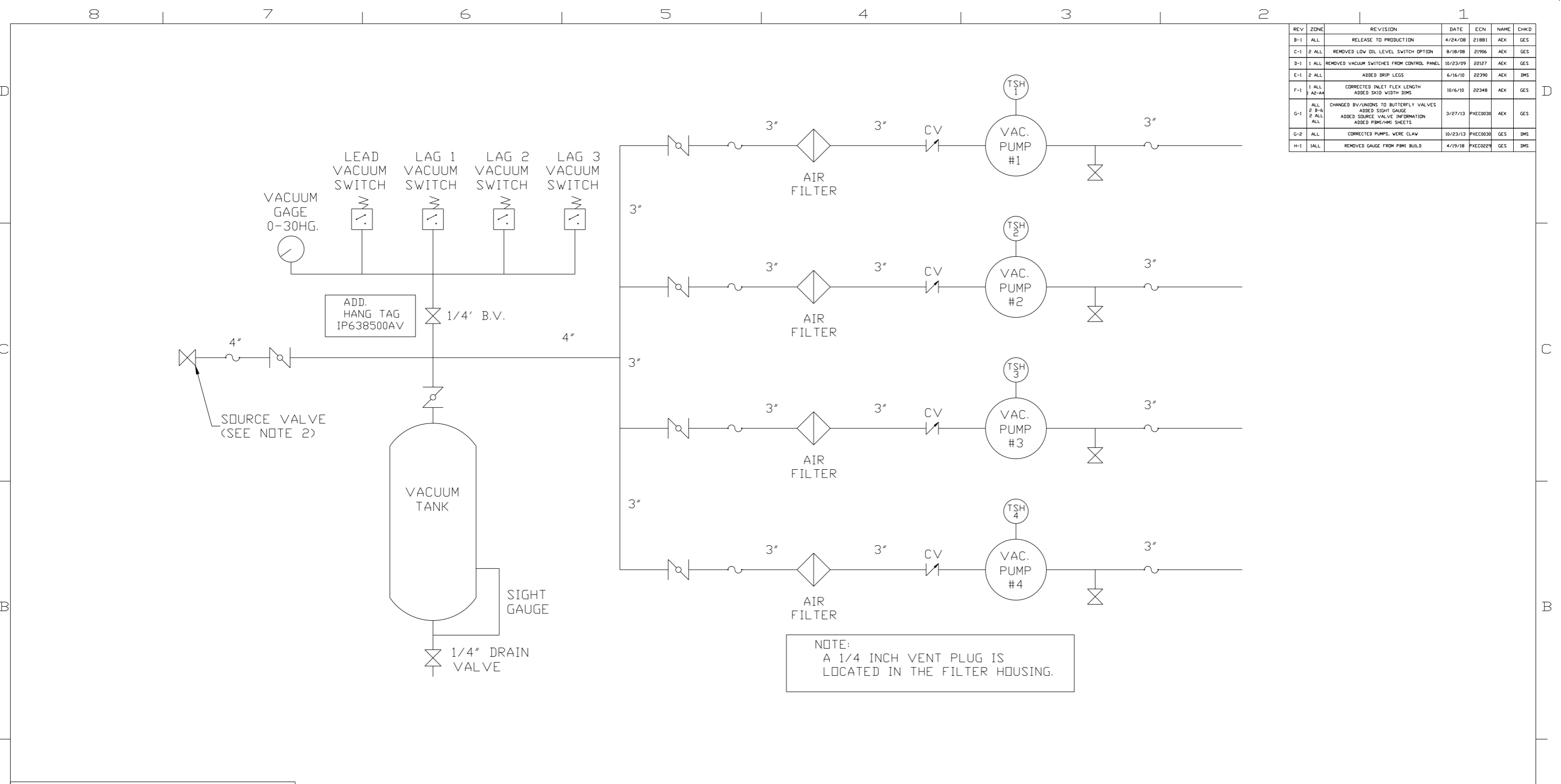
MINIMUM RECOMMENDED MAINTENANCE CLEARANCE



NOTE: SYSTEM DESIGNED IN COMPLIANCE WITH U.S. NFPA '99, LATEST EDITION.

SYMBOL LEGEND ⊖ = MINUS DRAFT ⊕ = PLUS DRAFT		⊕ = ADDITIONAL CONTROL REQ'D HRC = BRINELL HARDNESS		Drawings to conform to the current revision of the following ANSI standards: Y14.3 Multi and sectional view dgs. Y14.5M Dimensioning and tolerancing	
TOLERANCES NOT SPECIFIED .XX ± .XXX ± \angle(DEG) ±		AUTOCAD REL2008 LT INCH		DO NOT SCALE DRAWING FOR DIMENSIONS Sheet 1 of 2 SCALE 1:18	
CONFIDENTIAL DISCLOSURE This drawing is the property of POWEREX, INC. of the SCOTT FELTZER COMPANY and subject to return on demand. Its contents are confidential and must not be copied or submitted to outside parties for use or examination.					
DRAWN BY AEK		CHECKED BY GES		APPROVED BY ENGINEERING MFG/MKTG DMS RJR	
DATE 4/24/08		DATE 4/24/08		DATE 4/24/08	
MATERIAL N/A					
PART NAME 15HP VACUUM PACKAGE 200GAL QUADPLEX				 150 PRODUCTION DRIVE, HARRISON, OHIO 45030 Ph: 888-769-7979 FAX: (513) 367-3125	
DWG NO VPQ1505				SIZE D	

REV	ZONE	REVISION	DATE	ECN	NAME	CHKD
B-1	ALL	RELEASE TO PRODUCTION	4/24/08	21881	AEK	GES
C-1	2 ALL	REMOVED LOW OIL LEVEL SWITCH OPTION	8/18/08	21906	AEK	GES
D-1	1 ALL	REMOVED VACUUM SWITCHES FROM CONTROL PANEL	10/23/09	22127	AEK	DMS
E-1	2 ALL	ADDED DRIP LEGS	6/16/10	22390	AEK	DMS
F-1	1 ALL 2 A2-A4	CORRECTED INLET FLEX LENGTH ADDED SKID WIDTH DIMS	10/16/10	22348	AEK	GES
G-1	ALL 2 B-6 2 ALL ALL	CHANGED BV/UNIONS TO BUTTERFLY VALVES ADDED SIGHT GAUGE ADDED SOURCE VALVE INFORMATION ADDED PBM/HMI SHEETS	3/27/13	PXEC0030	AEK	GES
G-2	ALL	CORRECTED PUMPS, WERE CLAW	10/23/13	PXEC0030	GES	DMS
H-1	ALL	REMOVED GAUGE FROM PBM BUILD	4/19/18	PXEC0029	GES	DMS



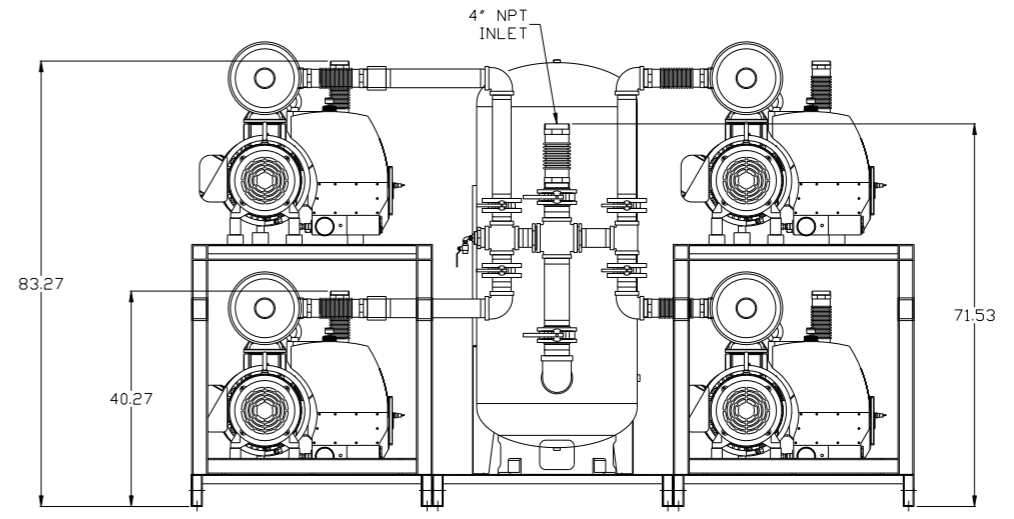
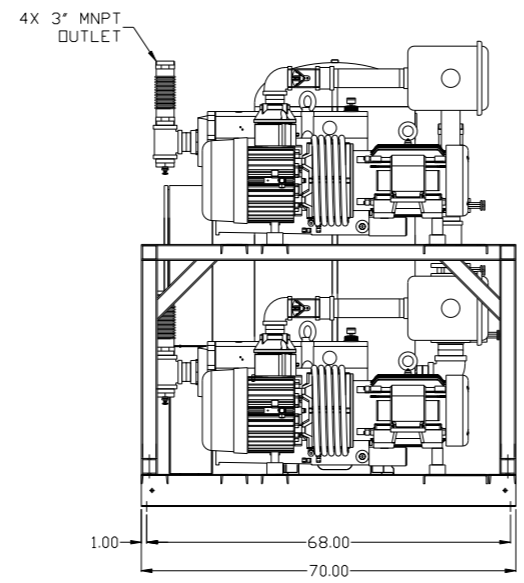
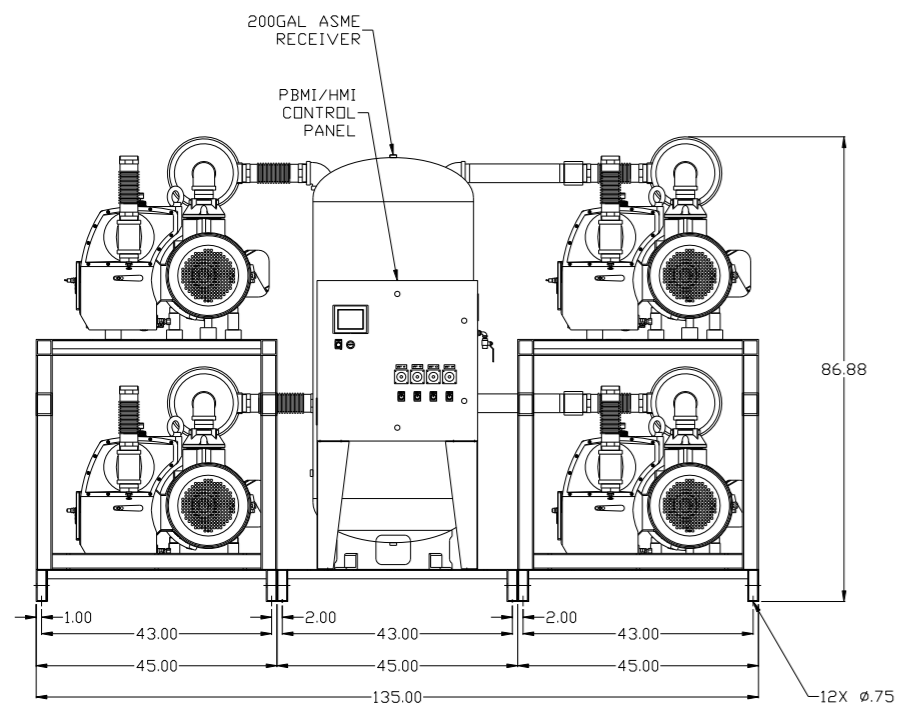
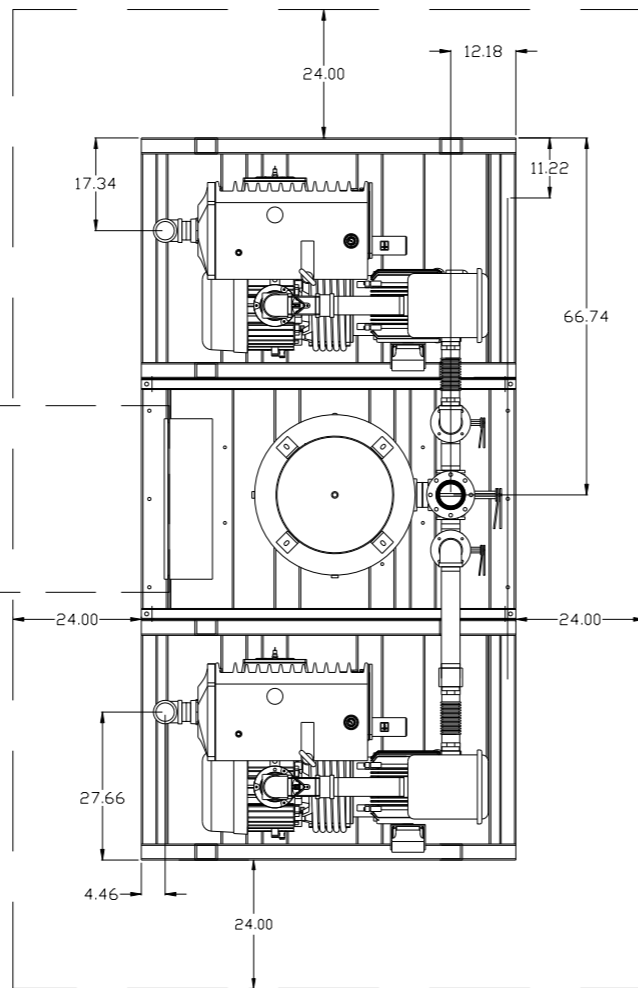
NOTE:
A 1/4 INCH VENT PLUG IS
LOCATED IN THE FILTER HOUSING.

LEGEND	
	TEMP. SWITCH
	VACUUM SWITCH
	AIR FILTER
	BALL VALVE
	BUTTERFLY VALVE
	CHECK VALVE
	FLEX LINE
	UNION

NOTES:
1) TSH - TEMPERATURE SWITCH HIGH
2) PER NFPA THE SYSTEM WILL REQUIRE A SOURCE VALVE (SUPPLIED BY OTHERS).

SYMBOL LEGEND			ADDITIONAL CONTROL REQ'D	Drawings to conform to the current revision of the following ANSI standards
	MINUS DRAFT		BRINELL HARDNESS	Y14.3 Multi and sectional view dsgs. Y14.5M Dimensioning and tolerancing
TOLERANCES NOT SPECIFIED		AUTOCAD REL2008 LT	DO NOT SCALE DRAWING FOR DIMENSIONS	
.XX ±	.XXX ±	INCH	Sheet 2 of 2	SCALE 1:18
CONFIDENTIAL DISCLOSURE This drawing is the property of POWEREX, INC. of the SCOTT FELTZER COMPANY and subject to return on demand. Its contents are confidential and must not be copied or submitted to outside parties for use or examination.				
DRAWN BY	CHECKED BY	APPROVED BY	ENGINEERING	MFG/MKTG
AEK	GES	DMS	RJR	
DATE	DATE	DATE	DATE	DATE
4/24/08	4/24/08	4/24/08	4/24/08	4/24/08
MATERIAL		N/A		
PART NAME		QUADPLEX VACUUM FLOW SCHEMATIC		
DWG NO		VPQ1505		
SIZE		D		

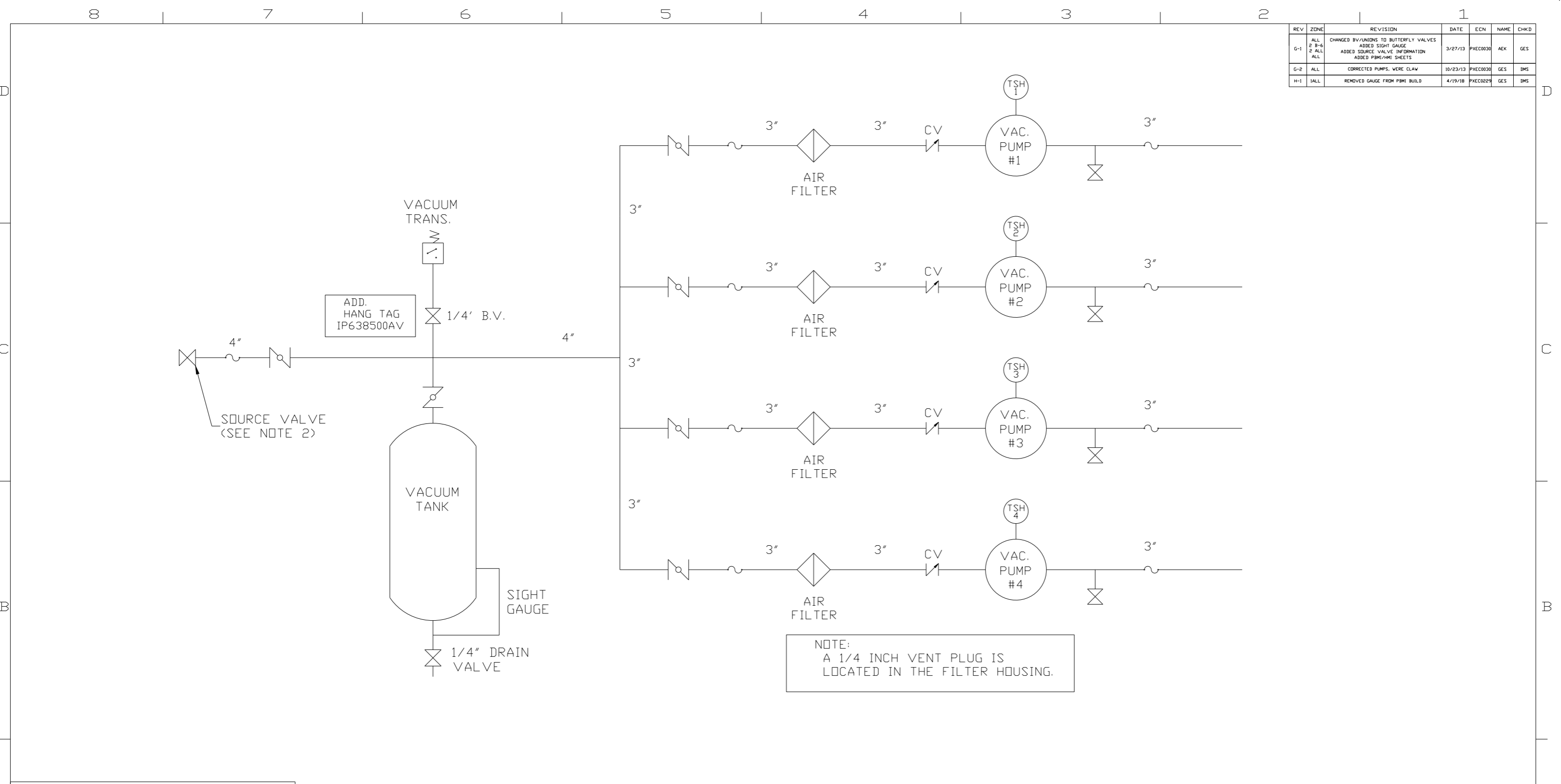
REV	ZONE	REVISION	DATE	ECN	NAME	CHKD
G-1	ALL 2 B-6 2 ALL	CHANGED BV/UNIONS TO BUTTERFLY VALVES ADDED SIGHT GAUGE ADDED SOURCE VALVE INFORMATION ADDED PBMI/HMI SHEETS	3/27/13	PXEC0030	AEK	GES
G-2	ALL	CORRECTED PUMPS, WERE CLAW	10/23/13	PXEC0030	GES	DMS
H-1	1ALL	REMOVED GAUGE FROM PBMI BUILD	4/19/18	PXEC0229	GES	DMS



NOTE: SYSTEM DESIGNED IN COMPLIANCE WITH U.S. NFPA '99, LATEST EDITION.

SYMBOL LEGEND ⊖ = MINUS DRAFT ⊕ = PLUS DRAFT TOLERANCES NOT SPECIFIED .XX ± .XXX ± <<DEG> ±		= ADDITIONAL CONTROL REQ'D = BRINELL HARDNESS		Drawings to conform to the current revision of the following ANSI standards: Y14.3 Multi and sectional view dgs. Y14.5M Dimensioning and tolerancing	
AUTOCAD REL2008 LT INCH		DO NOT SCALE DRAWING FOR DIMENSIONS Sheet 1 of 2 SCALE 1:18		CONFIDENTIAL DISCLOSURE This drawing is the property of POWEREX, INC. of the SCOTT FELTZER COMPANY and subject to return on demand. Its contents are confidential and must not be copied or submitted to outside parties for use or examination.	
DRAWN BY AEK		CHECKED BY GES		APPROVED BY ENGINEERING DMS MFG/MKTG RJR	
MATERIAL N/A		DATE 3/27/13		DATE 3/27/13	
PART NAME 15HP VACUUM PACKAGE 200GAL QUADPLEX		 150 PRODUCTION DRIVE, HARRISON, OHIO 45030 Ph: 888-769-7979 FAX: (513) 367-3125		DWG NO VPQ1505	
				SIZE D	

REV	ZONE	REVISION	DATE	ECN	NAME	CHKD
G-1	ALL	CHANGED BV/UNIONS TO BUTTERFLY VALVES				
	2 B-6	ADDED SIGHT GAUGE	3/27/13	PXEC0030	AEK	GES
	2 ALL	ADDED SOURCE VALVE INFORMATION				
	ALL	ADDED PBM/HMI SHEETS				
G-2	ALL	CORRECTED PUMPS, WERE CLAW	10/23/13	PXEC0030	GES	DMS
H-1	ALL	REMOVED GAUGE FROM PBM BUILD	4/19/18	PXEC0229	GES	DMS



NOTE:
A 1/4 INCH VENT PLUG IS
LOCATED IN THE FILTER HOUSING.

LEGEND	
TSH 2	TEMP. SWITCH
	VACUUM SWITCH
	AIR FILTER
	CHECK VALVE
	BALL VALVE
	FLEX LINE
	BUTTERFLY VALVE
	UNION

NOTES:
1) TSH - TEMPERATURE SWITCH HIGH
2) PER NFPA THE SYSTEM WILL REQUIRE A SOURCE VALVE (SUPPLIED BY OTHERS).

SYMBOL LEGEND		= ADDITIONAL CONTROL REQ'D	Drawings to conform to the current revision of the following ANSI standards		
= MINUS DRAFT	= PLUS DRAFT	= BRINELL HARDNESS	Y14.3 Multi and sectional view dsgs. Y14.5M Dimensioning and tolerancing		
TOLERANCES NOT SPECIFIED	AUTOCAD REL2008 LT	DO NOT SCALE DRAWING FOR DIMENSIONS			
.XX ±	INCH	Sheet 2 of 2	SCALE 1:18		
CONFIDENTIAL DISCLOSURE This drawing is the property of POWEREX, INC. of the SCOTT FETZER COMPANY and subject to return on demand. Its contents are confidential and must not be copied or submitted to outside parties for use or examination.		DRAWN BY AEK	CHECKED BY GES	APPROVED BY ENGINEERING DMS	MFG/MKTG RJR
MATERIAL N/A		3/27/13	3/27/13	3/27/13	3/27/13
PART NAME QUADPLEX VACUUM FLOW SCHEMATIC				SIZE D	
		DWG NO VPQ1505			