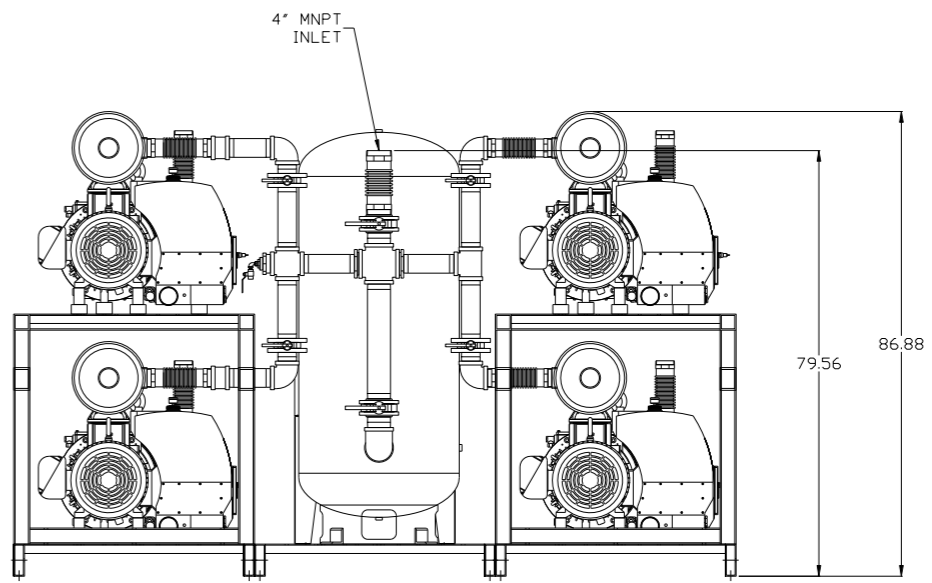
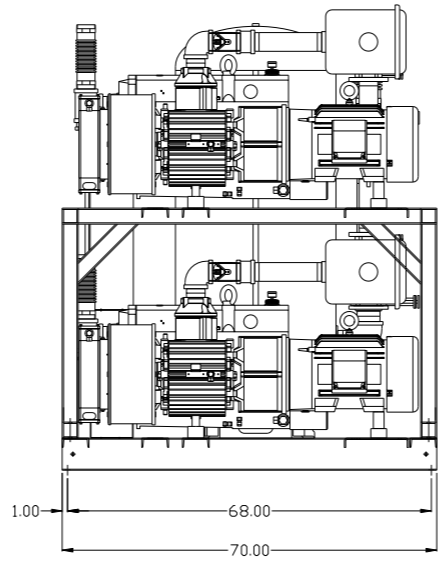
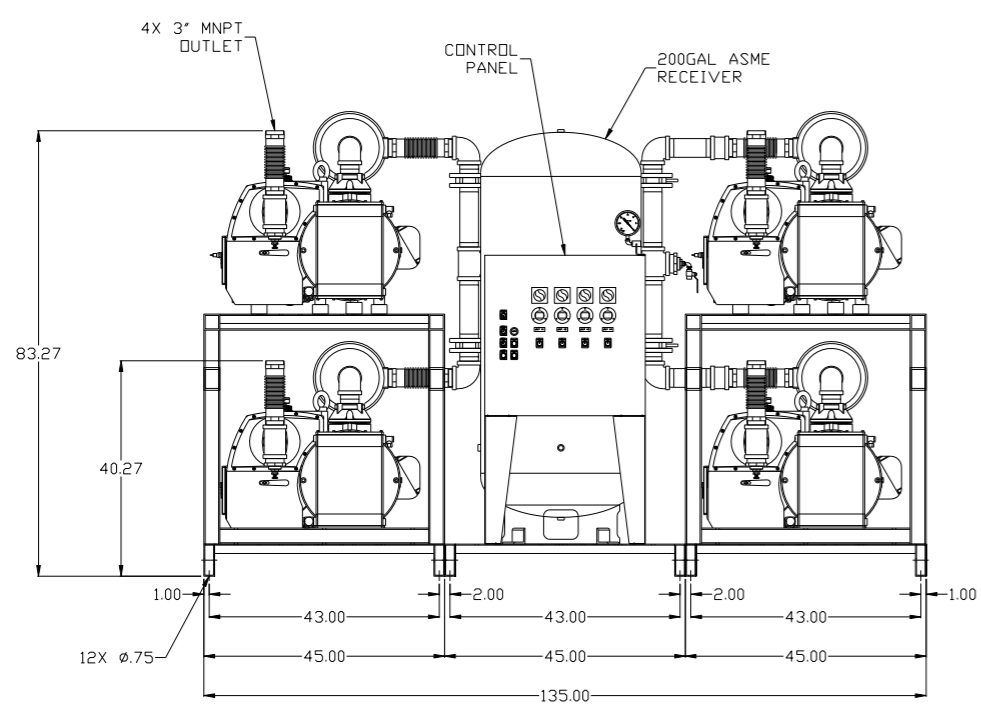
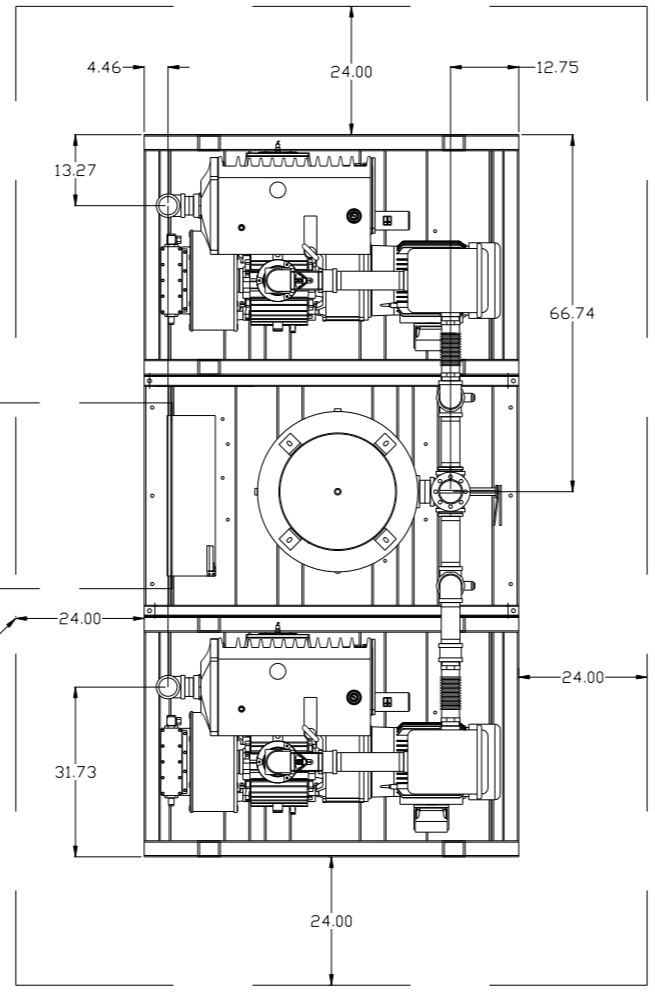


8 7 6 5 4 3 2 1

REV	ZONE	REVISION	DATE	ECN	NAME	CHKD
B-1	ALL	RELEASE TO PRODUCTION	4/25/08	21881	AEK	GES
C-1	2	REMOVED LOW OIL LEVEL SWITCH OPTION	8/18/08	21907	AEK	GES
D-1	1	REMOVED VACUUM SWITCHES FROM CONTROL PANEL	10/23/09	22127	AEK	GES
E-1	1	CORRECTED INLET FLEX LENGTH	10/6/10	22348	AEK	GES
F-1	ALL	CHANGED BV/UNIONS TO BUTTERFLY VALVES	10/24/13	PXEC0030	AEK	GES
		ADDED SIGHT GAUGE				
		ADDED SOURCE VALVE INFORMATION				
		ADDED PBM/HMI SHEETS				

MINIMUM RECOMMENDED ELECTRICAL PANEL CLEARANCE PER OSHA/NEC

MINIMUM RECOMMENDED MAINTENANCE CLEARANCE

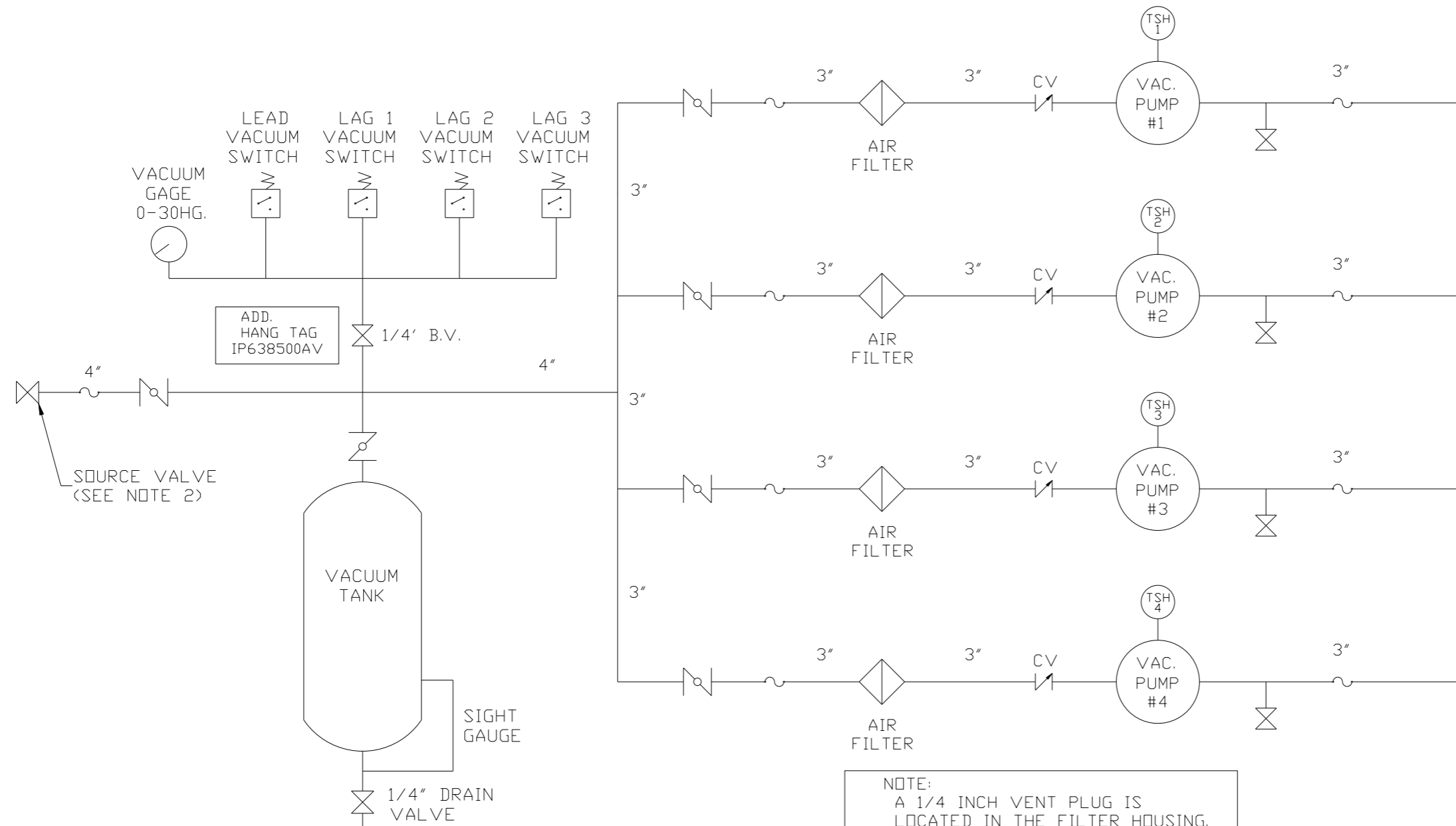


NOTE: SYSTEM DESIGNED IN COMPLIANCE WITH U.S. NFPA '99, LATEST EDITION.

SYMBOL LEGEND ⊖ = MINUS DRAFT ⊕ = PLUS DRAFT TOLERANCES NOT SPECIFIED .XX ± .XXX ± <<DEG> ±		= ADDITIONAL CONTROL REQ'D = BRINELL HARDNESS		Drawings to conform to the current revision of the following ANSI standards: Y14.3 Multi and sectional view dsgs. Y14.5M Dimensioning and tolerancing
AUTOCAD REL2008 LT		DO NOT SCALE DRAWING FOR DIMENSIONS		SCALE 1:18
CONFIDENTIAL DISCLOSURE This drawing is the property of POWEREX, INC. of the SCOTT FELTZER COMPANY and subject to return on demand. Its contents are confidential and must not be copied or submitted to outside parties for use or examination.		DRAWN BY AEK	CHECKED BY GES	APPROVED BY ENGINEERING MFG/MKTG DMS RJR
MATERIAL N/A		4/25/08	4/25/08	4/25/08 4/25/08
PART NAME 20HP VACUUM 200GAL QUADPLEX		 150 PRODUCTION DRIVE, HARRISON, OHIO 45030 Ph: 888-769-7979 FAX: (513) 367-3125		DWG NO VPQ2005 SIZE D

8 7 6 5 4 3 2 1

REV	ZONE	REVISION	DATE	ECN	NAME	CHKD
B-1	ALL	RELEASE TO PRODUCTION	4/25/08	21881	AEK	GES
C-1	2 ALL	REMOVED LOW OIL LEVEL SWITCH OPTION	8/18/08	21907	AEK	GES
D-1	1 ALL	REMOVED VACUUM SWITCHES FROM CONTROL PANEL	10/23/09	22127	AEK	GES
E-1	1 ALL 1 A-6 1 B-2	CORRECTED INLET FLEX LENGTH ADDED SKID WIDTH DIMS ADDED DRIP LEG	10/6/10	22348	AEK	GES
F-1	ALL 2 B-6 2 ALL	CHANGED BV/UNIONS TO BUTTERFLY VALVES ADDED SIGHT GAUGE ADDED SOURCE VALVE INFORMATION ADDED PBM/HMI SHEETS	10/24/13	PXEC0030	AEK	GES



NOTE:
A 1/4 INCH VENT PLUG IS
LOCATED IN THE FILTER HOUSING.

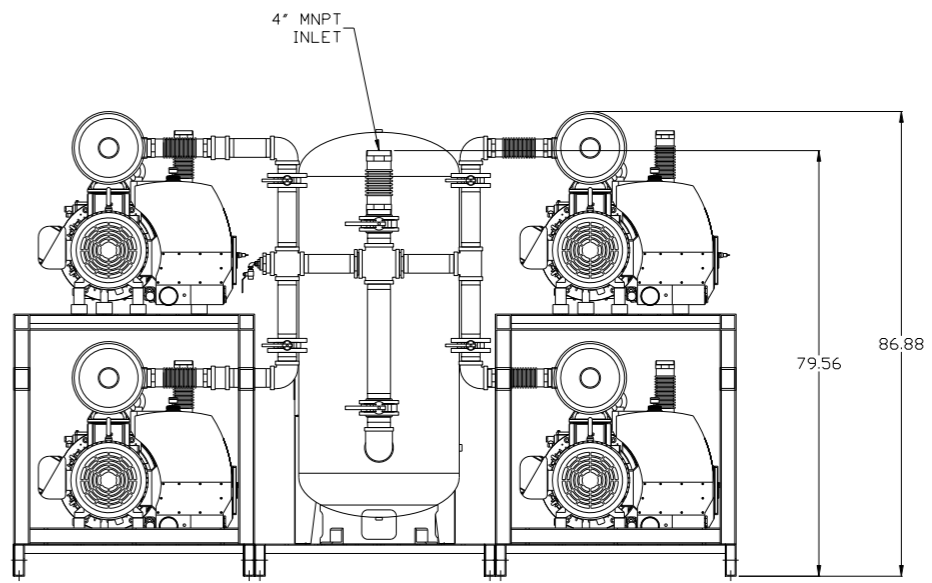
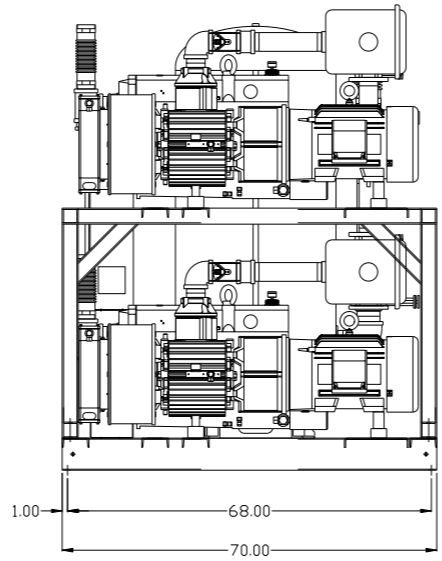
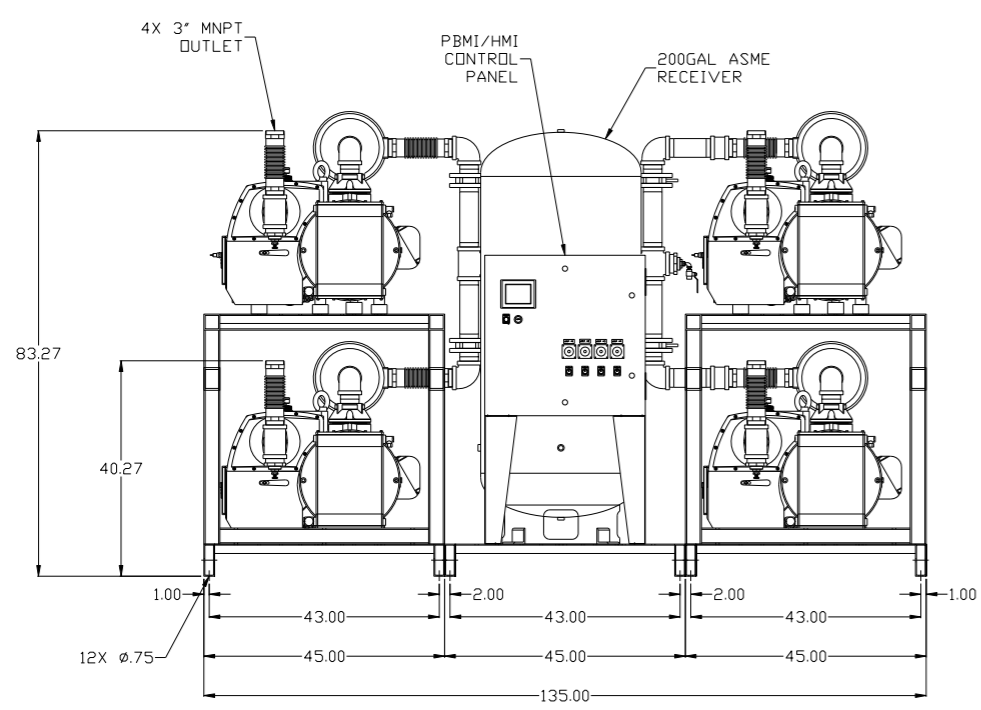
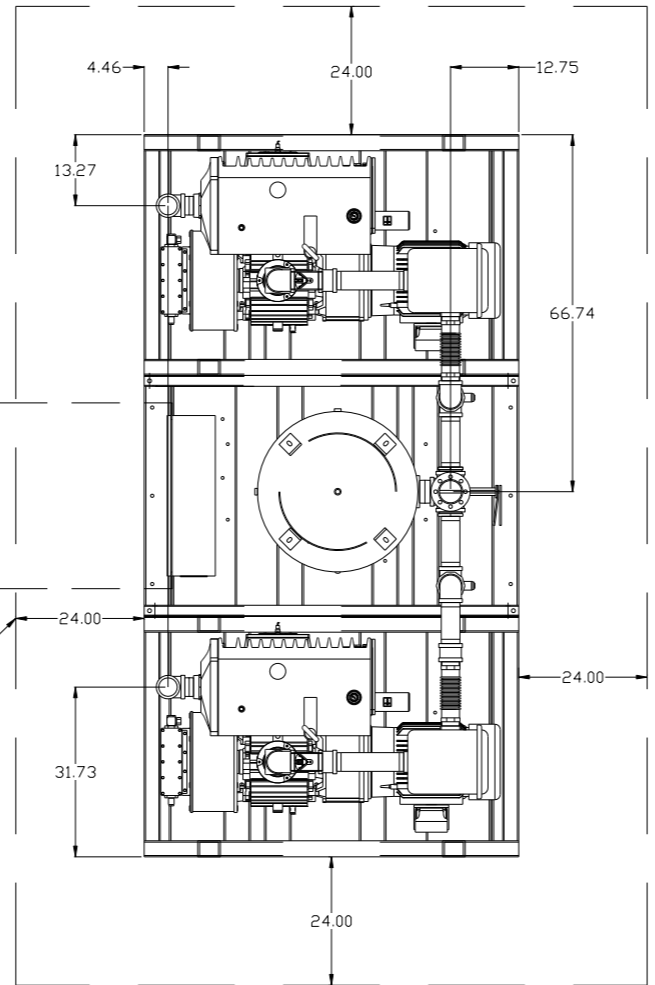
LEGEND	
	TEMP. SWITCH
	VACUUM SWITCH
	AIR FILTER
	BALL VALVE
	BUTTERFLY VALVE
	CHECK VALVE
	FLEX LINE
	UNION

NOTES:
1) TSH - TEMPERATURE SWITCH HIGH
2) PER NFPA THE SYSTEM WILL REQUIRE A SOURCE VALVE (SUPPLIED BY OTHERS).

SYMBOL LEGEND			ADDITIONAL CONTROL REQ'D	Drawings to conform to the current revision of the following ANSI standards: Y14.3 Multi and sectional view dgs. Y14.5M Dimensioning and tolerancing
	MINUS DRAFT		BRINELL HARDNESS	
TOLERANCES NOT SPECIFIED		AUTOCAD REL2008 LT	DO NOT SCALE DRAWING FOR DIMENSIONS	
.XX ±	.XXX ±	<<DEG> ±	INCH	SCALE 1:18
CONFIDENTIAL DISCLOSURE This drawing is the property of POWEREX, INC. of the SCOTT FETZER COMPANY and subject to return on demand. Its contents are confidential and must not be copied or submitted to outside parties for use or examination.				
DRAWN BY	CHECKED BY	ENGINEERING	MFG/MKTG	
AEK	GES	DMS	RJR	
4/25/08	4/25/08	4/25/08	4/25/08	
MATERIAL		N/A		
PART NAME		VACUUM PACKAGE QUADPLEX		
FLOW SCHEMATIC		DWG NO VPQ2005		
SIZE		D		

8 7 6 5 4 3 2 1

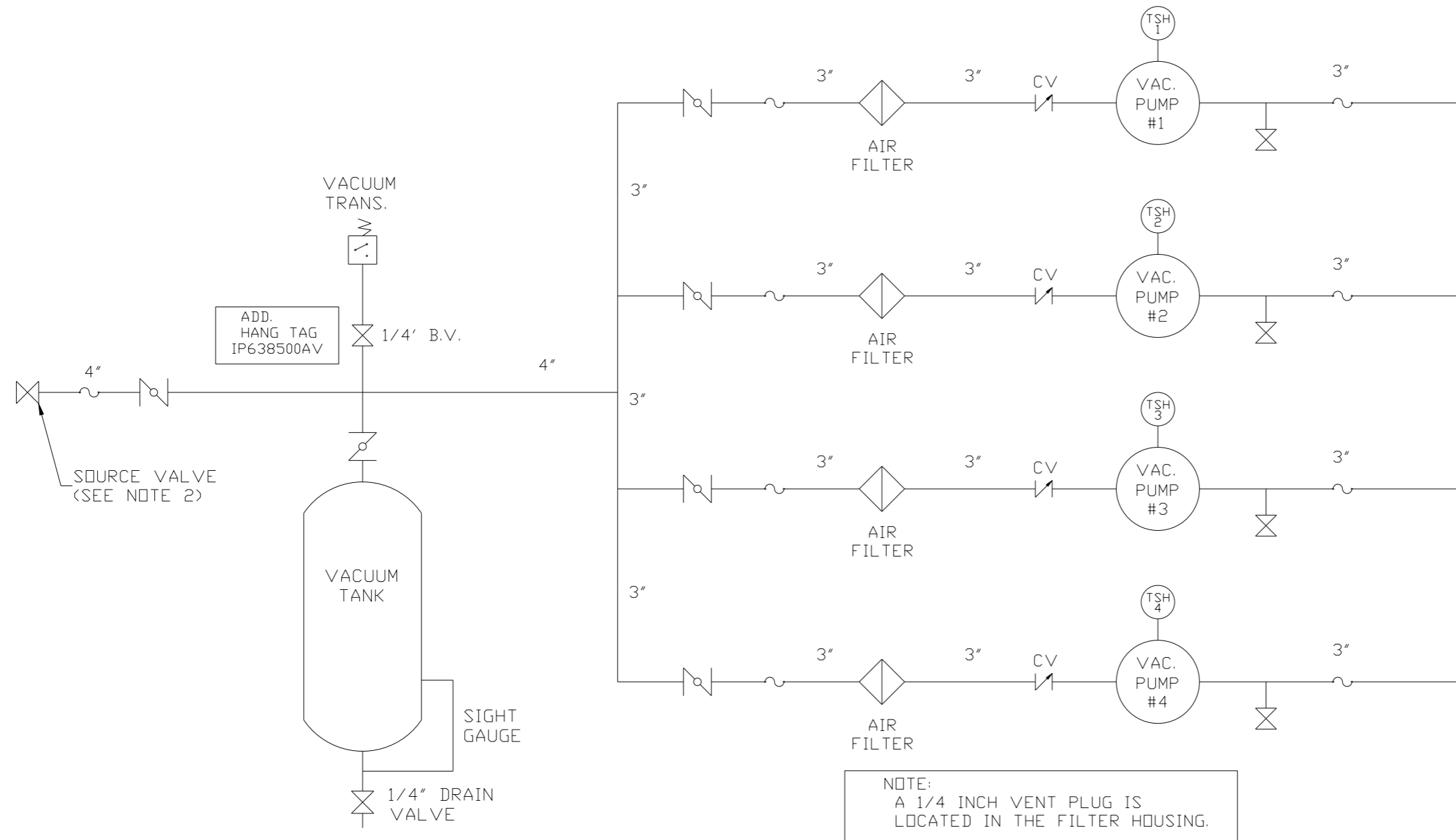
REV	ZONE	REVISION	DATE	ECN	NAME	CHKD
F-1	ALL	CHANGED BV/UNIONS TO BUTTERFLY VALVES	10/24/13	PKEC0030	AEK	GES
	2 B-6	ADDED SIGHT GAUGE				
	2 ALL	ADDED SOURCE VALVE INFORMATION				
	ALL	ADDED PBMI/HMI SHEETS				



SYMBOL LEGEND ⊖ = MINUS DRAFT ⊕ = PLUS DRAFT TOLERANCES NOT SPECIFIED .XX ± .XXX ± << DEG >> ±		= ADDITIONAL CONTROL REQ'D = BRINELL HARDNESS		Drawings to conform to the current revision of the following ANSI standards: Y14.3 Multi and sectional view dsgs. Y14.5M Dimensioning and tolerancing	
AUTOCAD REL2014 LT INCH		DO NOT SCALE DRAWING FOR DIMENSIONS Sheet 1 of 2 SCALE 1:18		CONFIDENTIAL DISCLOSURE This drawing is the property of POWEREX, INC. of the SCOTT FELTZER COMPANY and subject to return on demand. Its contents are confidential and must not be copied or submitted to outside parties for use or examination.	
DRAWN BY AEK		CHECKED BY GES		APPROVED BY ENGINEERING MFG/MKTG DMS RJR	
MATERIAL N/A		DATE 10/24/13		DATE 10/24/13 10/24/13 10/24/13	
PART NAME 20HP VACUUM 200GAL QUADPLEX		 150 PRODUCTION DRIVE, HARRISON, OHIO 45030 Ph 888-769-7979 FAX (513) 367-3125		DWG NO VPQ2005 SIZE D	

8 7 6 5 4 3 2 1

REV	ZONE	REVISION	DATE	ECN	NAME	CHKD
F-1	ALL	CHANGED BV/UNIONS TO BUTTERFLY VALVES	10/24/13	PXEC0030	AEK	GES
	2 B-6	ADDED SIGHT GAUGE				
	2 ALL	ADDED SOURCE VALVE INFORMATION				
	ALL	ADDED PBM/HMI SHEETS				



NOTE:
A 1/4 INCH VENT PLUG IS
LOCATED IN THE FILTER HOUSING.

LEGEND	
TSH 2	TEMP. SWITCH
	AIR FILTER
	BALL VALVE
	BUTTERFLY VALVE
	VACUUM SWITCH
	CHECK VALVE
	FLEX LINE
	UNION

NOTES:
1) TSH - TEMPERATURE SWITCH HIGH
2) PER NFPA THE SYSTEM WILL REQUIRE A SOURCE VALVE (SUPPLIED BY OTHERS).

SYMBOL LEGEND		= ADDITIONAL CONTROL REQ'D	Drawings to conform to the current revision of the following ANSI standards		
= MINUS DRAFT	= PLUS DRAFT	= BRINELL HARDNESS	Y14.3 Multi and sectional view dsgs. Y14.5M Dimensioning and tolerancing		
TOLERANCES NOT SPECIFIED	AUTOCAD REL2014 LT	DO NOT SCALE DRAWING FOR DIMENSIONS			
.XX ±	INCH	Sheet 2 of 2	SCALE 1:18		
CONFIDENTIAL DISCLOSURE This drawing is the property of POWEREX, INC. of the SCOTT FETZER COMPANY and subject to return on demand. Its contents are confidential and must not be copied or submitted to outside parties for use or examination.		DRAWN BY AEK	CHECKED BY GES	APPROVED BY DMS	MFG/MKTG RJR
MATERIAL N/A		10/24/13	10/24/13	10/24/13	10/24/13
PART NAME VACUUM PACKAGE QUADPLEX				SIZE D	
FLOW SCHEMATIC		DWG NO VPQ2005			