

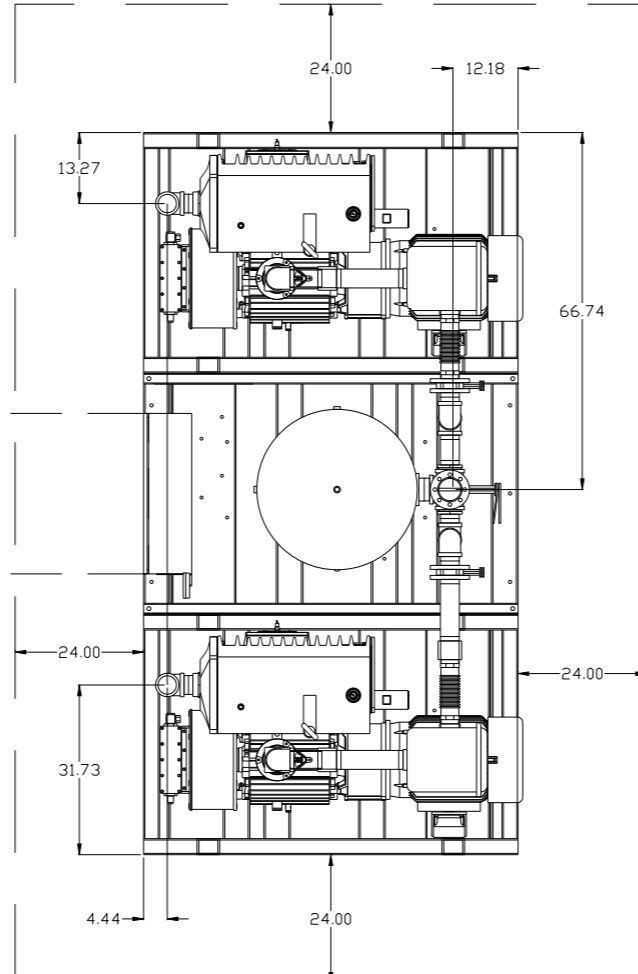
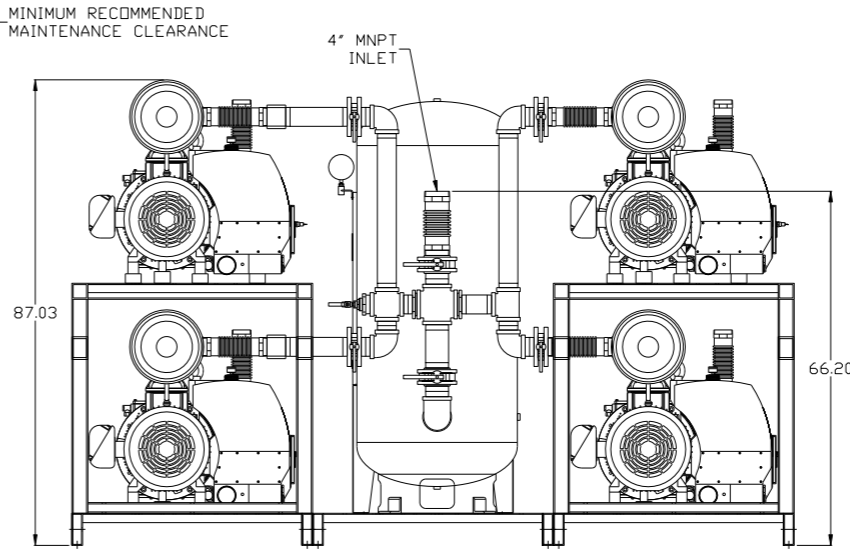
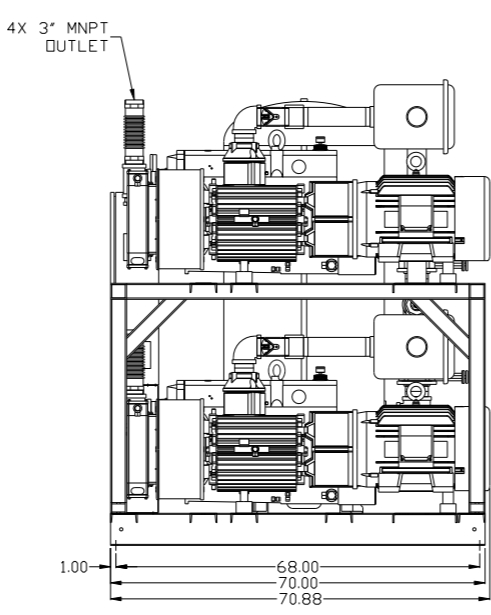
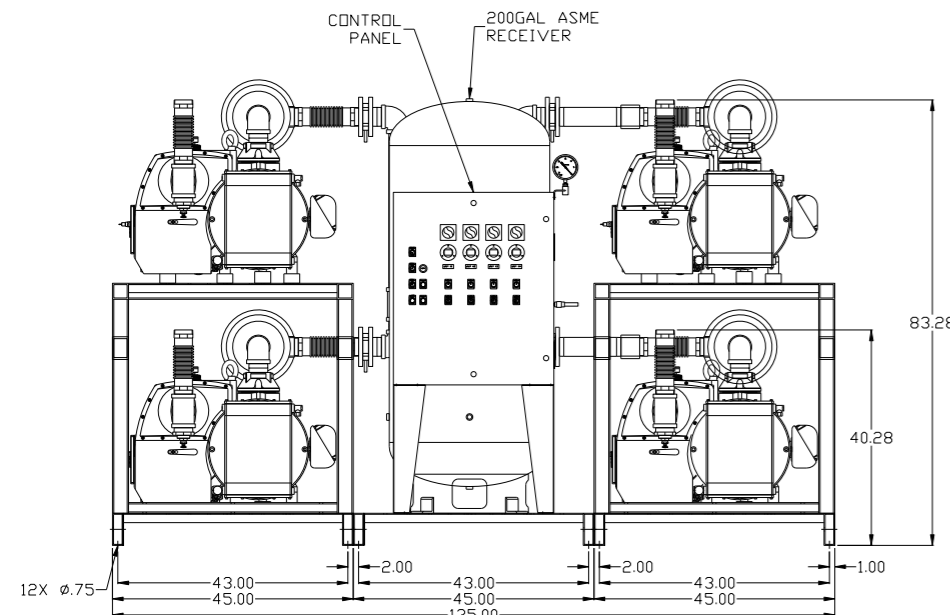
REV	ZONE	REVISION	DATE	ECN	NAME	CHKD
B-1	ALL	RELEASE TO PRODUCTION	4/28/08	21881	AEK	GES
C-1	2 ALL	REMOVED LOW OIL LEVEL SWITCH OPTION	8/18/08	21907	AEK	GES
D-1	1 ALL	REMOVED VACUUM SWITCHES FROM CONTROL PANEL	10/26/09	22127	AEK	GES
E-1	1 ALL 1 A-4 1 B-2	CORRECTED INLET FLEX LENGTH ADDED SKID WIDTH DIMS ADDED DRIP LEG	10/6/10	22348	AEK	GES
F-1	ALL 2 B-6 2 ALL	CHANGED BV/UNIONS TO BUTTERFLY VALVES ADDED SIGHT GAUGE ADDED SOURCE VALVE INFORMATION ADDED P&ID/HMI SHEETS	12/16/15	PXEC0030	AEK	GES

MINIMUM RECOMMENDED ELECTRICAL PANEL CLEARANCE PER OSHA/NEC REQUIREMENTS

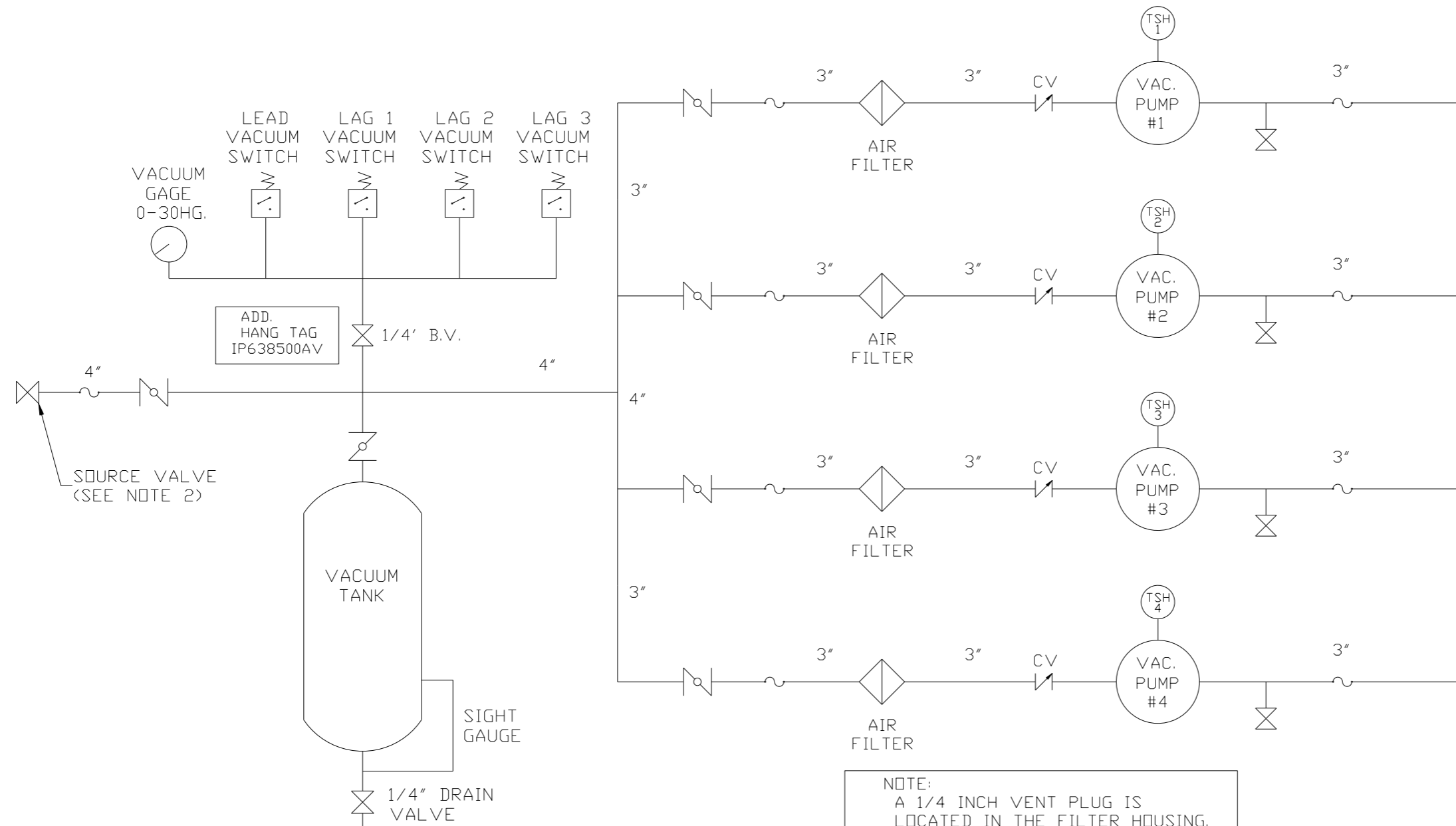
MINIMUM RECOMMENDED MAINTENANCE CLEARANCE

NOTE: SYSTEM DESIGNED IN COMPLIANCE WITH U.S. NFPA '99, LATEST EDITION.

SYMBOL LEGEND ⊖ = MINUS DRAFT ⊕ = PLUS DRAFT TOLERANCES NOT SPECIFIED .XX ± .XXX ± <DEG> ±		⊕ = ADDITIONAL CONTROL REQ'D ⊕ = BRINELL HARDNESS AUTOCAD REL2008 LT INCH DO NOT SCALE DRAWING FOR DIMENSIONS Sheet 1 of 2 SCALE 1:18		Drawings to conform to the current revision of the following ANSI standards: Y14.3 Multi and sectional view dsgs. Y14.5M Dimensioning and tolerancing	
CONFIDENTIAL DISCLOSURE This drawing is the property of the CAMPBELL GROUP OF THE SCOTT FETZER COMPANY and subject to return on demand. Its contents are confidential and must not be copied or submitted to outside parties for use or examination.		DRAWN BY AEK	CHECKED BY GES	APPROVED BY ENGINEERING DMS	MFG/MKTG RJR
MATERIAL N/A		DATE 4/28/08		DATE 4/28/08	
PART NAME 25HP VACUUM QUADPLEX 200GAL PACKAGE		DWG NO VPQ2505		SIZE D	



REV	ZONE	REVISION	DATE	ECN	NAME	CHKD
B-1	ALL	RELEASE TO PRODUCTION	4/28/08	21881	AEK	GES
C-1	2	REMOVED LOW OIL LEVEL SWITCH OPTION	8/18/08	21907	AEK	GES
D-1	1	REMOVED VACUUM SWITCHES FROM CONTROL PANEL	10/26/09	22127	AEK	GES
E-1	1	CORRECTED INLET FLEX LENGTH	10/6/10	22348	AEK	GES
F-1	ALL	CHANGED BV/UNIONS TO BUTTERFLY VALVES	12/16/15	PXEC0030	AEK	GES
	2	ADDED SIGHT GAUGE				
	3	ADDED SOURCE VALVE INFORMATION				
	4	ADDED PBM/HMI SHEETS				



NOTE:  
A 1/4 INCH VENT PLUG IS  
LOCATED IN THE FILTER HOUSING.

LEGEND	
	TEMP. SWITCH
	VACUUM SWITCH
	AIR FILTER
	BALL VALVE
	BUTTERFLY VALVE
	CHECK VALVE
	FLEX LINE
	UNION

NOTES:  
1) TSH - TEMPERATURE SWITCH HIGH  
2) PER NFPA THE SYSTEM WILL REQUIRE A SOURCE VALVE (SUPPLIED BY OTHERS).

SYMBOL LEGEND		AUTOCAD REL2008 LT		DO NOT SCALE DRAWING FOR DIMENSIONS	
	MINUS DRAFT		ADDITIONAL CONTROL REQ'D	Drawings to conform to the current revision of the following ANSI standards: Y14.3 Multi and sectional view dsgs. Y14.5M Dimensioning and tolerancing	
	PLUS DRAFT		BRINELL HARDNESS	SCALE 1:18	
TOLERANCES NOT SPECIFIED		INCH		Sheet 2 of 2	
CONFIDENTIAL DISCLOSURE This drawing is the property of the CAMPBELL GROUP OF THE SCOTT FETZER COMPANY and subject to return on demand. Its contents are confidential and must not be copied or submitted to outside parties for use or examination.		DRAWN BY AEK	CHECKED BY GES	APPROVED BY DMS	DATE 4/28/08
MATERIAL N/A		DRAWN BY AEK		DATE 4/28/08	
PART NAME VACUUM PACKAGE QUADPLEX		DRAWN BY AEK		DATE 4/28/08	
FLOW SCHEMATIC		DWG NO VPQ2505		SIZE D	

8 7 6 5 4 3 2 1

REV	ZONE	REVISION	DATE	ECN	NAME	CHKD
F-1	ALL	CHANGED BV/UNIONS TO BUTTERFLY VALVES	12/16/15	PXEC0030	AEK	GES
	2 B-6	ADDED SIGHT GAUGE				
	2 ALL	ADDED SOURCE VALVE INFORMATION				
	ALL	ADDED PBMI/HMI SHEETS				

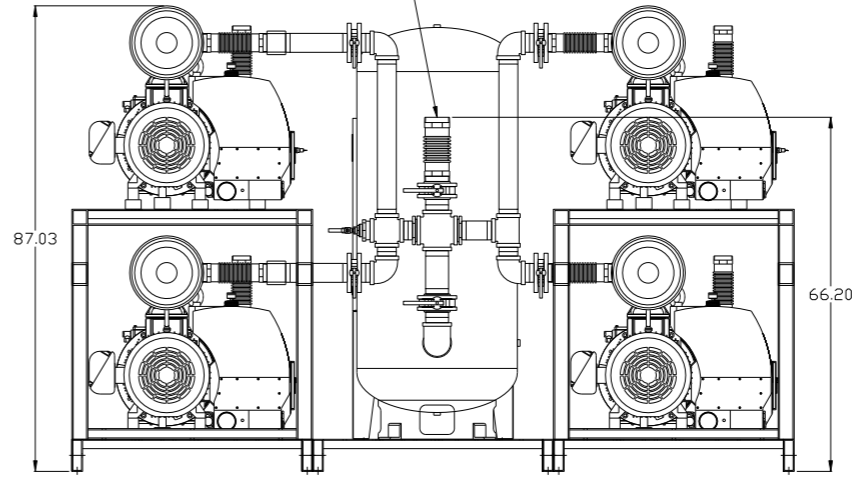
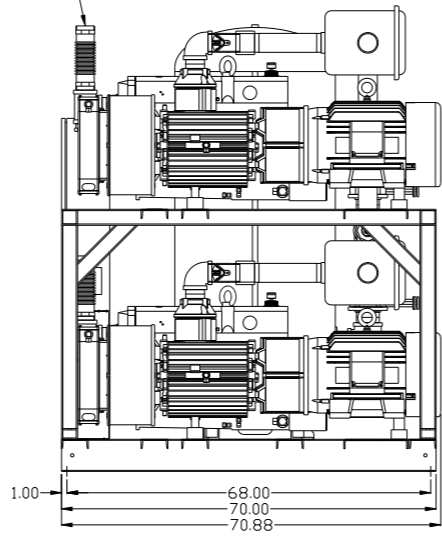
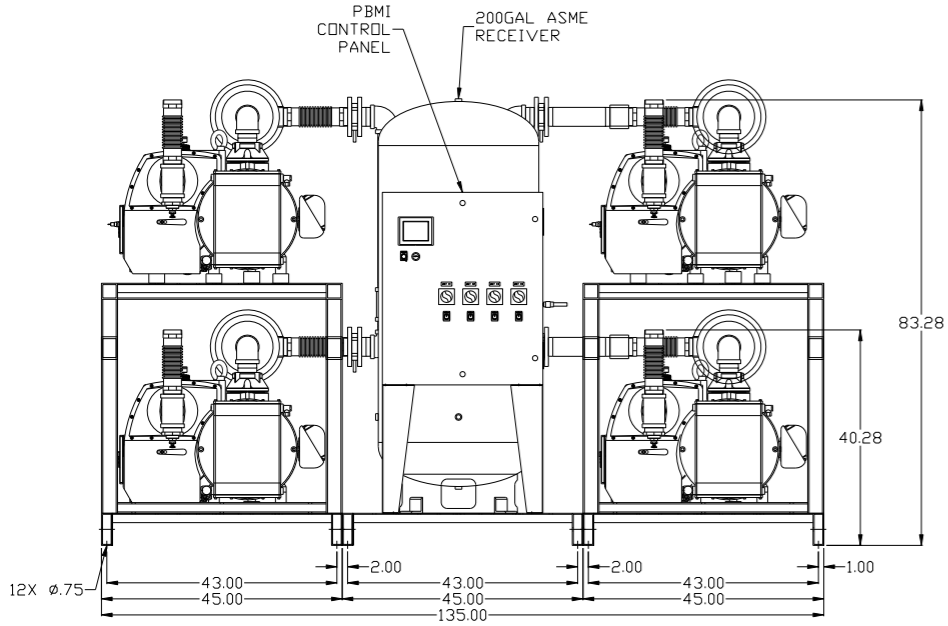
MINIMUM RECOMMENDED ELECTRICAL PANEL CLEARANCE PER OSHA/NEC REQUIREMENTS

MINIMUM RECOMMENDED MAINTENANCE CLEARANCE

PBMI CONTROL PANEL  
200GAL ASME RECEIVER

4X 3" MNPT OUTLET

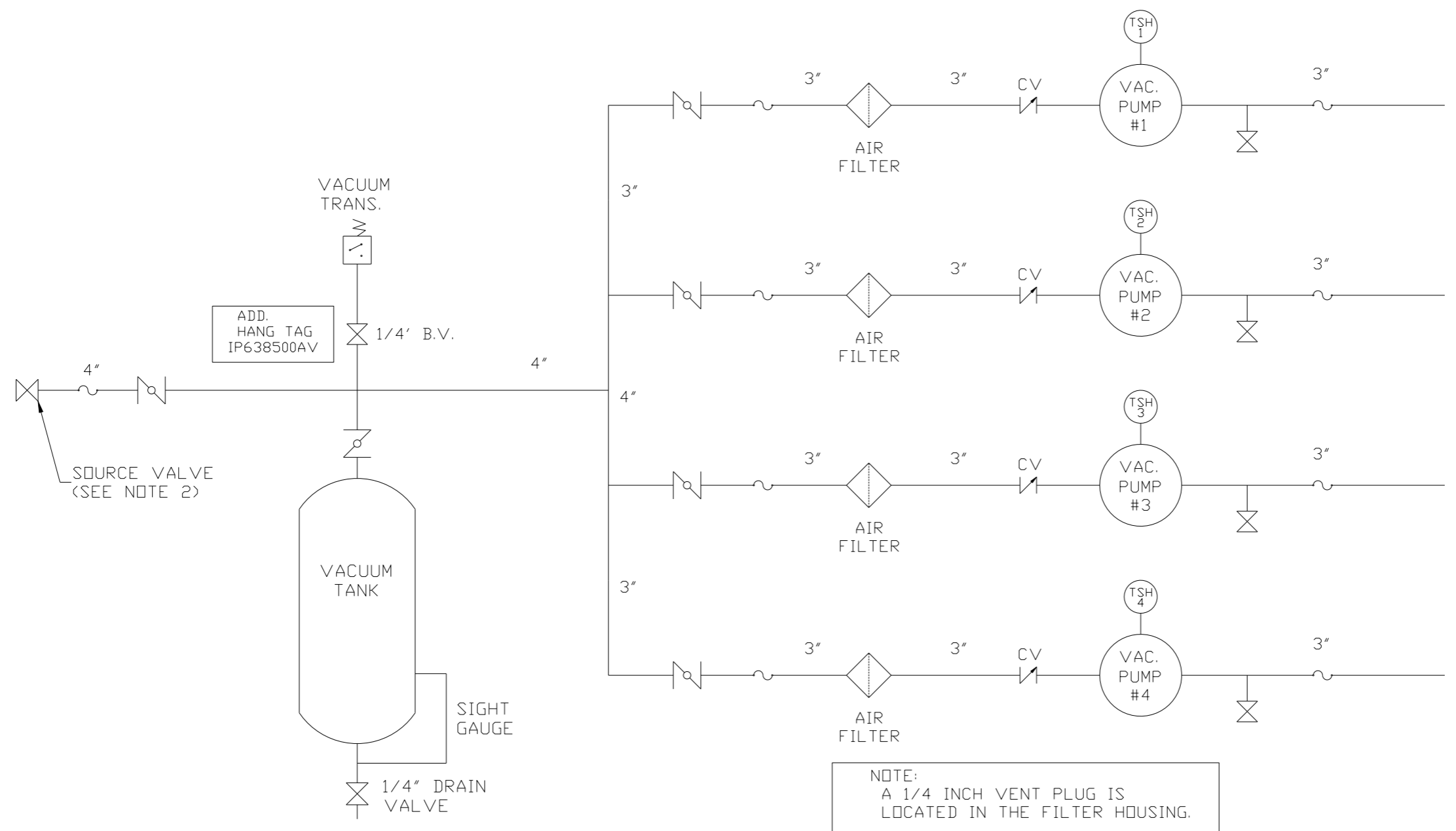
4" MNPT INLET



<b>SYMBOL LEGEND</b> ⊖ = MINUS DRAFT ⊕ = PLUS DRAFT TOLERANCES NOT SPECIFIED .XX ± .XXX ± <DEG> ±		= ADDITIONAL CONTROL REQ'D = BRINELL HARDNESS		Drawings to conform to the current revision of the following ANSI standards: Y14.3 Multi and sectional view dgs. Y14.5M Dimensioning and tolerancing	
AUTOCAD REL2014 LT INCH		DO NOT SCALE DRAWING FOR DIMENSIONS Sheet 1 of 2 SCALE 1:18		<b>CONFIDENTIAL DISCLOSURE</b> This drawing is the property of the CAMPBELL GROUP of the SCOTT FETZER COMPANY and subject to return on demand. Its contents are confidential and must not be copied or submitted to outside parties for use or examination.	
DRAWN BY AEK		CHECKED BY GES		APPROVED BY KMD RJR	
12/16/15		12/16/15		12/16/15 12/16/15	
MATERIAL N/A		<b>POWEREX</b> 150 PRODUCTION DRIVE, HARRISON, OHIO 45030 Ph 888-769-7979 FAX (513) 367-3125		SIZE D	
PART NAME 25HP VACUUM QUADPLEX 200GAL PACKAGE		DWG NO VPQ2505		VPQ2505B.dwg	

8 7 6 5 4 3 2 1

REV	ZONE	REVISION	DATE	ECN	NAME	CHKD
F-1	ALL	CHANGED BV/UNIONS TO BUTTERFLY VALVES	12/16/15	PXEC0030	AEK	GES
	2 B-6	ADDED SIGHT GAUGE				
	2 ALL	ADDED SOURCE VALVE INFORMATION				
	ALL	ADDED PBM/HMI SHEETS				



NOTE:  
A 1/4 INCH VENT PLUG IS  
LOCATED IN THE FILTER HOUSING.

LEGEND	
	TEMP. SWITCH
	VACUUM SWITCH
	AIR FILTER
	BALL VALVE
	BUTTERFLY VALVE
	CHECK VALVE
	FLEX LINE
	UNION

NOTES:  
1) TSH - TEMPERATURE SWITCH HIGH  
2) PER NFPA THE SYSTEM WILL REQUIRE A SOURCE VALVE (SUPPLIED BY OTHERS).

SYMBOL LEGEND			ADDITIONAL CONTROL REQ'D	Drawings to conform to the current revision of the following ANSI standards: Y14.3 Multi and sectional view dgs. Y14.5M Dimensioning and tolerancing
	MINUS DRAFT		BRINELL HARDNESS	
TOLERANCES NOT SPECIFIED		AUTOCAD REL2014 LT	DO NOT SCALE DRAWING FOR DIMENSIONS	
.XX ±	.XXX ±	<<DEG> ±	INCH	SCALE 1:18
CONFIDENTIAL DISCLOSURE This drawing is the property of the CAMPBELL GROUP OF THE SCOTT FETZER COMPANY and subject to return on demand. Its contents are confidential and must not be copied or submitted to outside parties for use or examination.		DRAWN BY AEK	CHECKED BY GES	APPROVED BY KMD RJR
MATERIAL N/A		12/16/15	12/16/15	12/16/15
PART NAME VACUUM PACKAGE QUADPLEX				SIZE D
FLOW SCHEMATIC		DWG NO VPQ2505		