

8

7

6

5

4

3

2

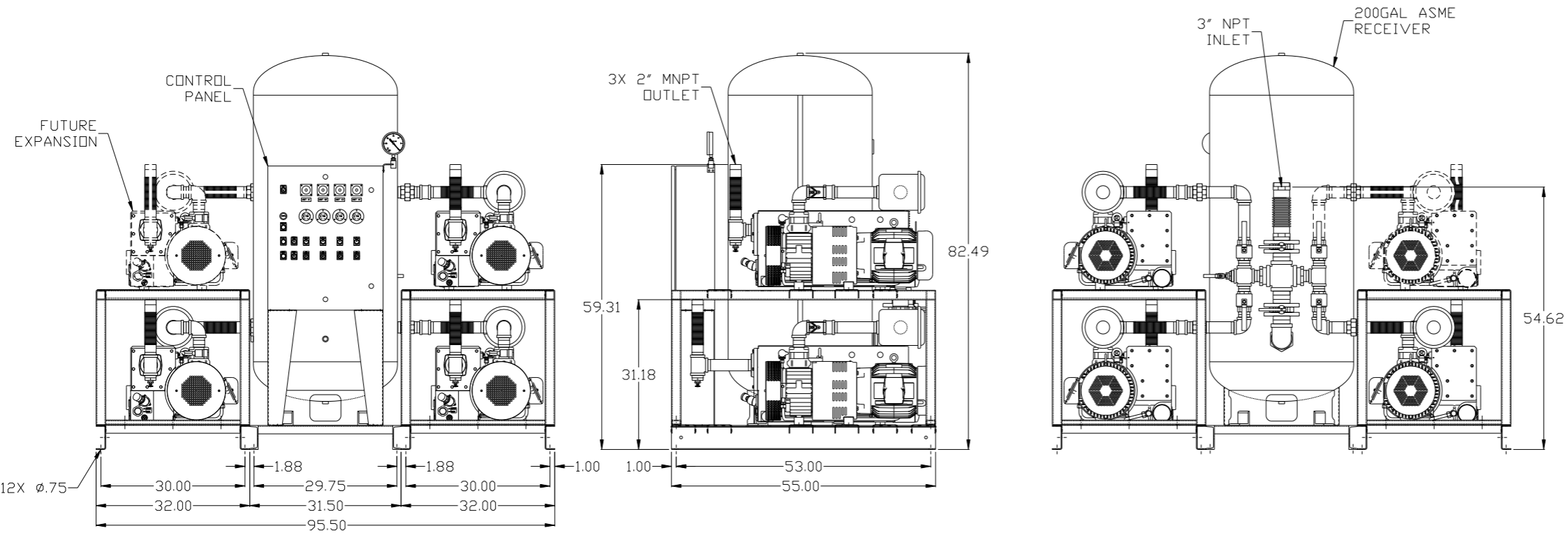
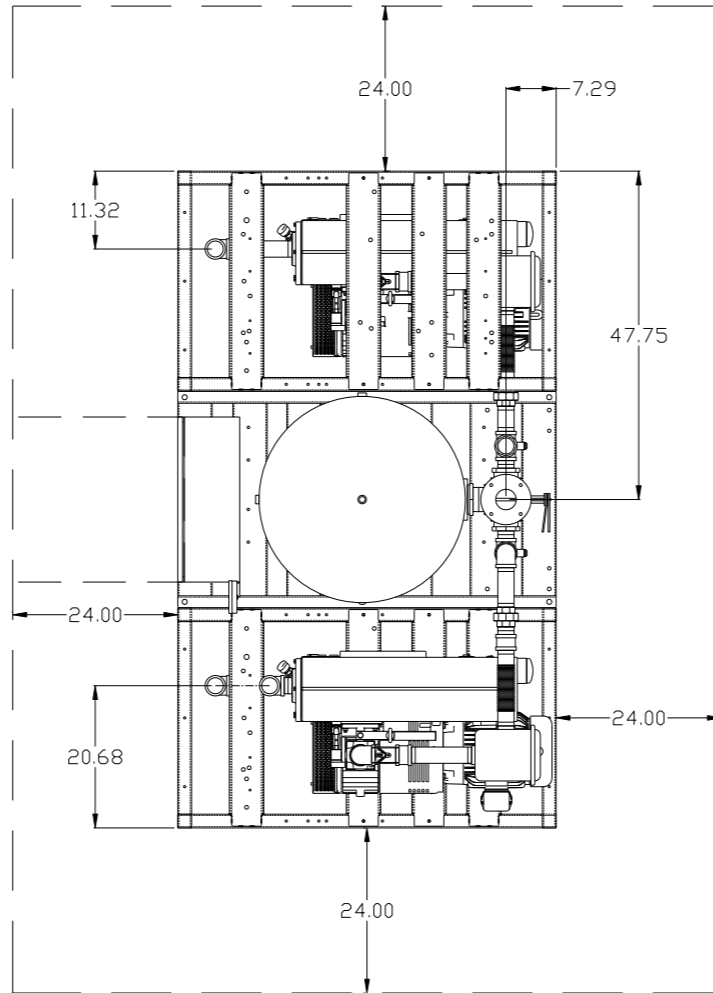
1

REV	ZONE	REVISION	DATE	ECN	NAME	CHKD
B-1	ALL	RELEASE TO PRODUCTION	12/14/17	PXC0185	AEK	GES

MINIMUM RECOMMENDED ELECTRICAL PANEL CLEARANCE PER OSHA/NEC REQUIREMENTS

MINIMUM RECOMMENDED MAINTENANCE CLEARANCE

FUTURE EXPANSION NOT SHOWN IN TOP VIEW FOR CLARITY



SYMBOL LEGEND		= MINUS DRAFT = PLUS DRAFT = ADDITIONAL CONTROL REQ'D = BRINELL HARDNESS		Drawings to conform to the current revision of the following ANSI standards: Y14.3 Multi and sectional view dsgs. Y14.5M Dimensioning and tolerancing	
TOLERANCES NOT SPECIFIED .XX ± .XXX ± <DEG> ±		AUTOCAD REL2014 LT INCH		DO NOT SCALE DRAWING FOR DIMENSIONS Sheet 1 of 2 SCALE 1:14	
CONFIDENTIAL DISCLOSURE This drawing is the property of POWEREX, INC. of the SCOTT FEITZER COMPANY and subject to return on demand. Its contents are confidential and must not be copied or submitted to outside parties for use or examination.					
DRAWN BY AEK		CHECKED BY GES		APPROVED BY ENGINEERING MFG/MKTG DMS JJ	
DATE 12/14/17		DATE 12/14/17		DATE 12/14/17	
MATERIAL N/A		 150 PRODUCTION DRIVE, HARRISON, OHIO 45030 Ph: 888-769-7979 FAX: (513) 367-3125			
PART NAME 7.5HP VAC QUADPLEX 200GAL EXPANDABLE		DWG NO VPT0755-EX4		SIZE D	

8

7

6

5

4

3

2

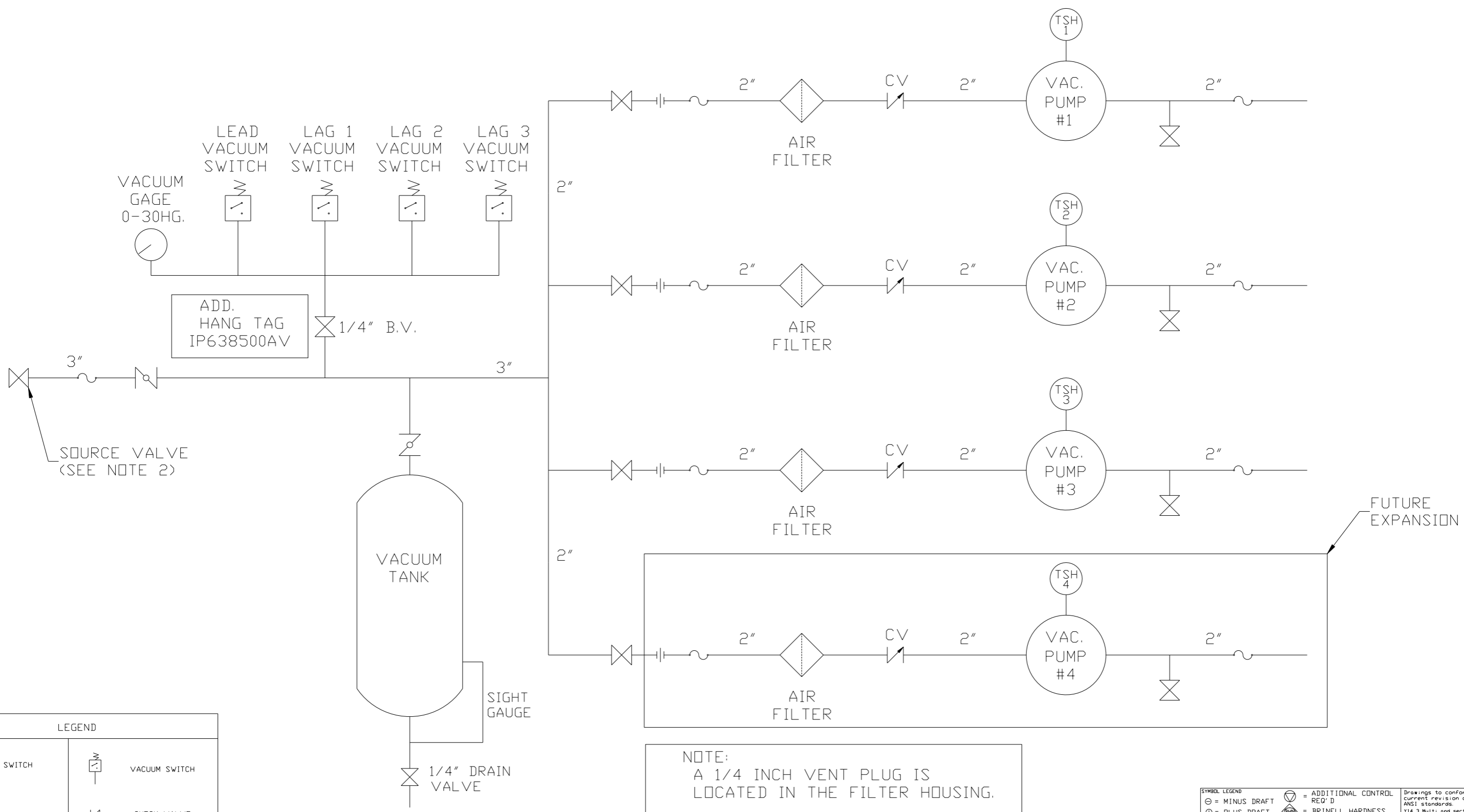
1

VPT0755-EX4.dwg

REV	ZONE	REVISION	DATE	ECN	NAME	CHKD
B-1	ALL	RELEASE TO PRODUCTION	12/14/17	PKC0185	AEK	GES

8 7 6 5 4 3 2 1

D
C
B
A



ADD.
HANG TAG
IP638500AV

NOTE:
A 1/4 INCH VENT PLUG IS
LOCATED IN THE FILTER HOUSING.

NOTE:
1) TSH - TEMPERATURE SWITCH HIGH
2) PER NFPA THE SYSTEM WILL REQUIRE A SOURCE VALVE (SUPPLIED BY OTHERS).

LEGEND	
	TEMP. SWITCH
	AIR FILTER
	BALL VALVE
	BUTTERFLY VALVE
	VACUUM SWITCH
	CHECK VALVE
	FLEX LINE
	UNION

SYMBOL LEGEND			ADDITIONAL CONTROL REQ'D	Drawings to conform to the current revision of the following ANSI standards
	MINUS DRAFT		BRINELL HARDNESS	Y14.3 Multi and sectional view dings Y14.5M Dimensioning and tolerancing
TOLERANCES NOT SPECIFIED		AUTOCAD REL2014 LT		DO NOT SCALE DRAWING FOR DIMENSIONS
.XX ±		INCH		SCALE 1:14
.XXX ±				
<<DEG> ±				
CONFIDENTIAL DISCLOSURE This drawing is the property of POWEREX, INC. or the SCOTT FETZER COMPANY and subject to return on demand. Its contents are confidential and must not be copied or submitted to outside parties for use or examination.				
DRAWN BY	CHECKED BY	ENGINEERING	MFG/MRKTG	APPROVED BY
AEK	GES	DMS	JJ	
12/14/17	12/14/17	12/14/17	12/14/17	
MATERIAL N/A				
PART NAME VAC PKG QUADPLEX FLOW SCHEMATIC		150 PRODUCTION DRIVE, HARRISON, OHIO 45030 Ph: 888-769-7979 FAX: (513) 367-3125		
DWG NO VPT0755-EX4		SIZE D		

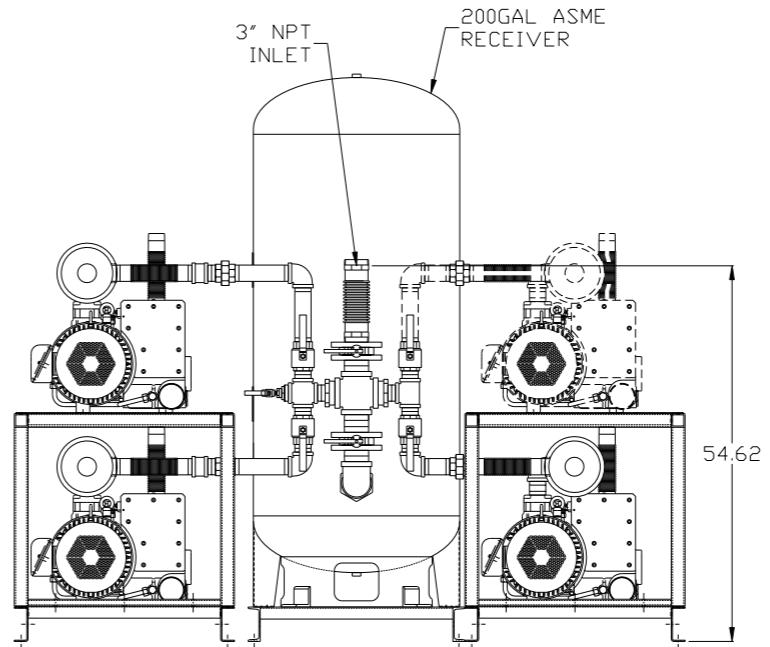
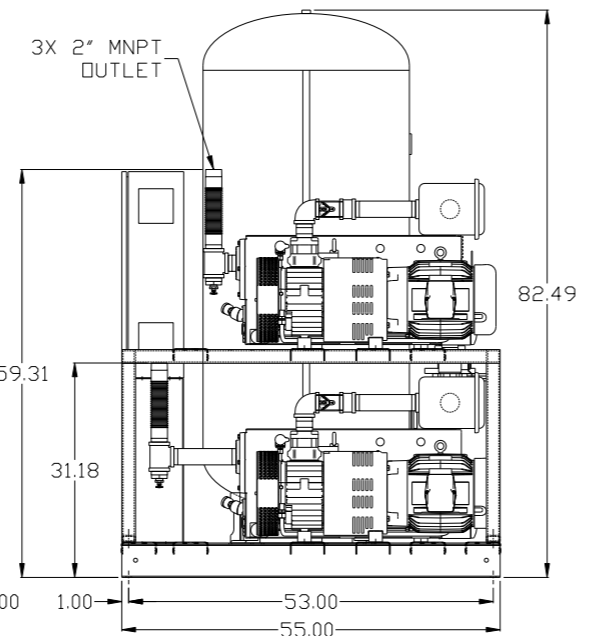
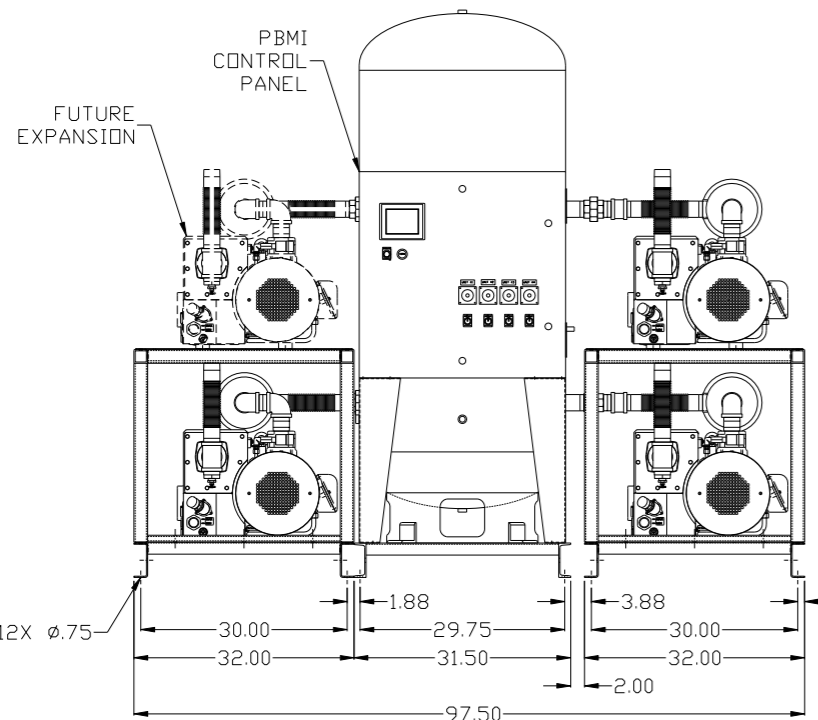
8 7 6 5 4 3 2 1

REV	ZONE	REVISION	DATE	ECN	NAME	CHKD
B-1	ALL	RELEASE TO PRODUCTION	12/14/17	PXC0185	AEK	GES

MINIMUM RECOMMENDED ELECTRICAL PANEL CLEARANCE PER OSHA/NEC REQUIREMENTS

MINIMUM RECOMMENDED MAINTENANCE CLEARANCE

FUTURE EXPANSION NOT SHOWN IN TOP VIEW FOR CLARITY

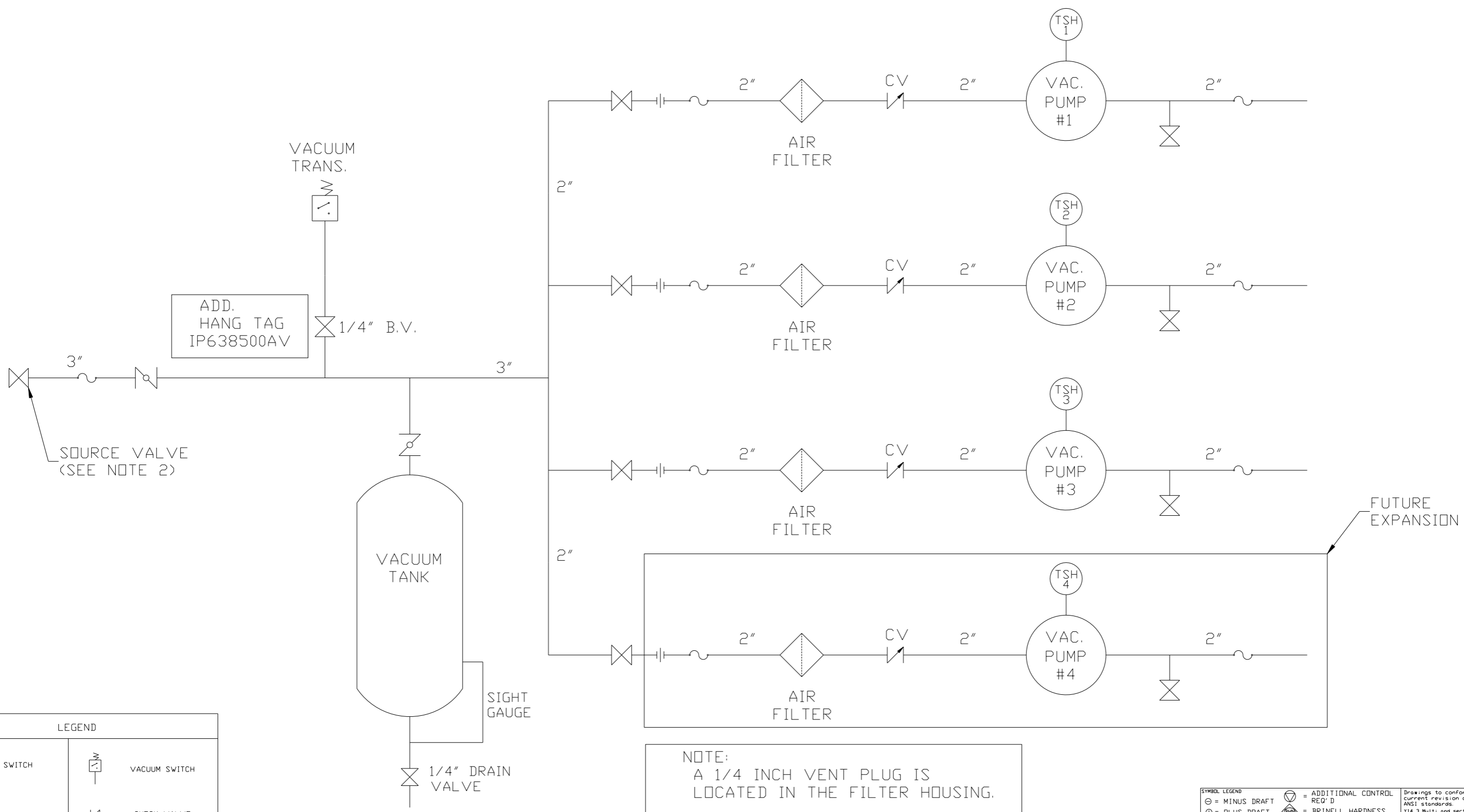


SYMBOL LEGEND		DRAWINGS TO CONFORM TO THE CURRENT REVISION OF THE FOLLOWING ANSI STANDARDS	
⊖	MINUS DRAFT	⊕	PLUS DRAFT
⊕	ADDITIONAL CONTROL REQ'D	⊕	BRINELL HARDNESS
TOLERANCES NOT SPECIFIED		DO NOT SCALE DRAWING FOR DIMENSIONS	
.XX ±		AUTOCAD REL2014 LT	SCALE 1:14
.XXX ±		INCH	Sheet 1 of 2
< < DEG > ±			
CONFIDENTIAL DISCLOSURE		APPROVED BY	
This drawing is the property of POWEREX, INC. of the SCOTT FEITZER COMPANY and subject to return on demand. Its contents are confidential and must not be copied or submitted to outside parties for use or examination.		DRAWN BY	CHECKED BY
		AEK	GES
		ENGINEERING	MFG/MKTG
		DMS	JJ
		12/14/17	12/14/17 12/14/17 12/14/17
MATERIAL		PART NAME	
N/A		7.5HP VAC QUADPLEX	
		200GAL EXPANDABLE	
		DWG NO	SIZE
		VPT0755-EX4	D

REV	ZONE	REVISION	DATE	ECN	NAME	CHKD
B-1	ALL	RELEASE TO PRODUCTION	12/14/17	PXEC0185	AEK	GES

8 7 6 5 4 3 2 1

D
C
B
A



ADD.
HANG TAG
IP638500AV

SOURCE VALVE
(SEE NOTE 2)

VACUUM
TRANS.

1/4" B.V.

VACUUM
TANK

SIGHT
GAUGE

1/4" DRAIN
VALVE

FUTURE
EXPANSION

NOTE:
A 1/4 INCH VENT PLUG IS
LOCATED IN THE FILTER HOUSING.

NOTE:
1) TSH - TEMPERATURE SWITCH HIGH
2) PER NFPA THE SYSTEM WILL REQUIRE A SOURCE VALVE (SUPPLIED BY OTHERS).

LEGEND	
	TEMP. SWITCH
	AIR FILTER
	BALL VALVE
	BUTTERFLY VALVE
	VACUUM SWITCH
	CHECK VALVE
	FLEX LINE
	UNION

SYMBOL LEGEND			ADDITIONAL CONTROL REQ'D	Drawings to conform to the current revision of the following ANSI standards
	MINUS DRAFT		BRINELL HARDNESS	Y14.3 Multi and sectional view dings Y14.5M Dimensioning and tolerancing
	PLUS DRAFT	AUTOCAD REL2014 LT		DO NOT SCALE DRAWING FOR DIMENSIONS
TOLERANCES NOT SPECIFIED	.XX ± .XXX ± <<DEG> ±	INCH	Sheet 2 of 2	SCALE 1:14
CONFIDENTIAL DISCLOSURE This drawing is the property of POWEREX, INC. OF THE SCOTT FETZER COMPANY and subject to return on demand. Its contents are confidential and must not be copied or submitted to outside parties for use or examination.				
DRAWN BY	CHECKED BY	ENGINEERING	MFG/MRKTG	APPROVED BY
AEK	GES	DMS	JJ	
12/14/17	12/14/17	12/14/17	12/14/17	
MATERIAL N/A				
PART NAME VAC PKG QUADPLEX FLOW SCHEMATIC		150 PRODUCTION DRIVE, HARRISON, OHIO 45030 Ph: 888-769-7979 FAX: (513) 367-3125		
DWG NO VPT0755-EX4		SIZE D		

8 7 6 5 4 3 2 1