

REV	ZONE	REVISION	DATE	ECN	NAME	CHKD
B-1	ALL	RELEASE TO PRODUCTION	9/23/10	22347	AEK	GES
C-1	2 B6 2 ALL ALL	ADDED SIGHT GAUGE ADDED SOURCE VALVE INFORMATION CHANGED 3" BV/UNIONS TO BUTTERFLY VALVES ADDED P&ID/P&M SHEETS	3/22/13	PXEC0030	AEK	GES
D-1	1 ALL	UPDATED TO RA SERIES PUMP	2/8/18	PXEC0148	AEK	GES

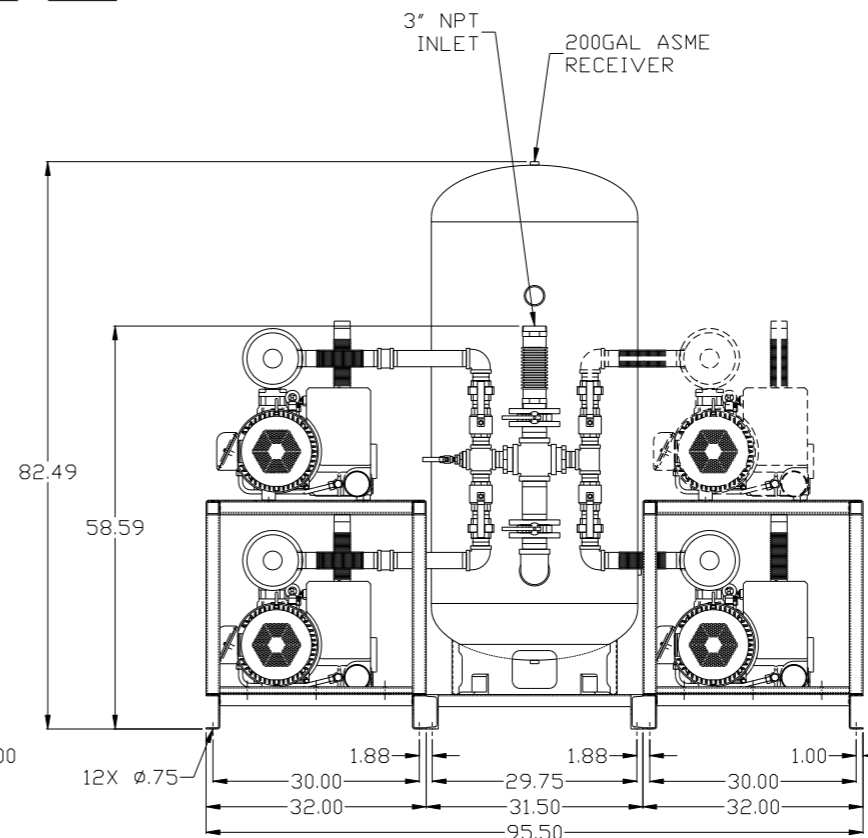
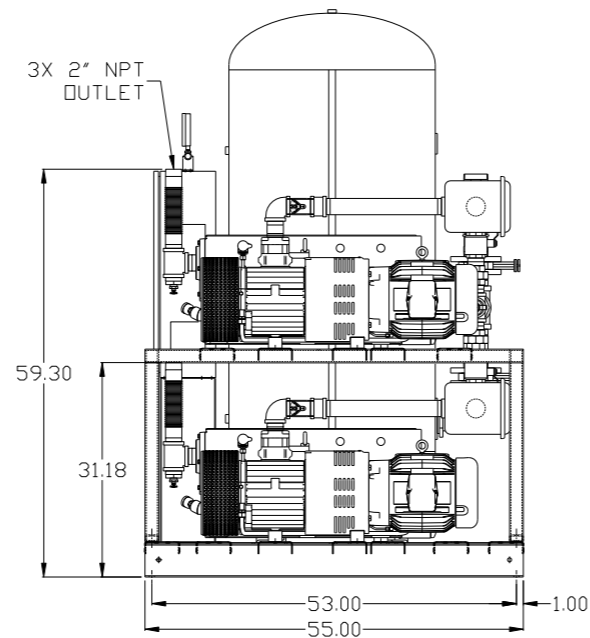
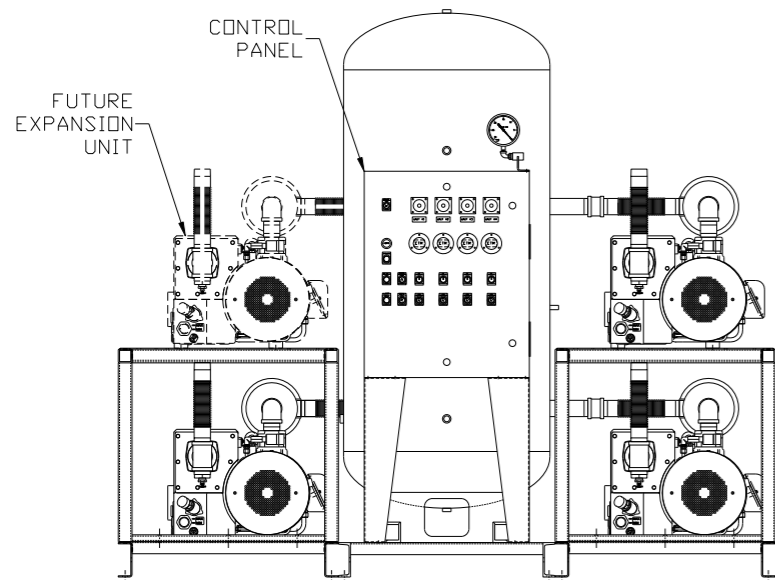
MINIMUM RECOMMENDED
ELECTRICAL PANEL
CLEARANCE PER OSHA/NEC
REQUIREMENTS

MINIMUM RECOMMENDED
MAINTENANCE CLEARANCE

EXPANSION PUMP & TOP FRAME
NOT SHOWN IN TOP VIEW FOR CLARITY

3" NPT
INLET

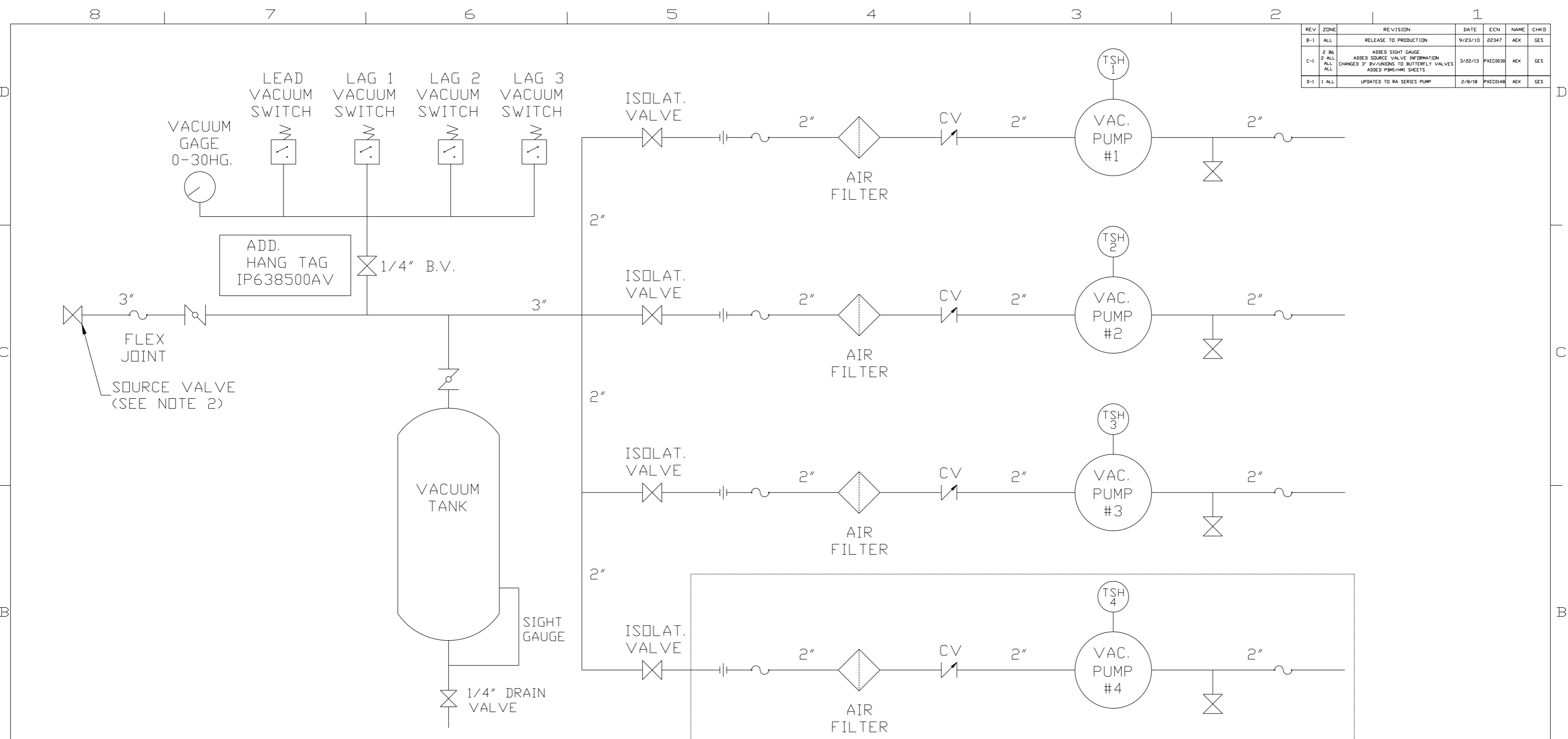
200GAL ASME
RECEIVER



NOTE: SYSTEM DESIGNED IN
COMPLIANCE WITH U.S. NFPA '99,
LATEST EDITION.

SYMBOL LEGEND ⊖ = MINUS DRAFT ⊕ = PLUS DRAFT Ⓢ = ADDITIONAL CONTROL REQ'D Ⓜ = BRINELL HARDNESS		Drawings to conform to the current revision of the following ANSI standards: Y14.3 Multi and sectional view dgs. Y14.5M Dimensioning and tolerancing	
TOLERANCES NOT SPECIFIED .XX ± .XXX ± < < DEG > ±		AUTOCAD REL2008 LT INCH DO NOT SCALE DRAWING FOR DIMENSIONS Sheet 1 of 2 SCALE 1:14	
CONFIDENTIAL DISCLOSURE This drawing is the property of the CAMPBELL GROUP of the SCOTT FETZER COMPANY and subject to return on demand. Its contents are confidential and must not be copied or submitted to outside parties for use or examination.		DRAWN BY: AEK CHECKED BY: GES ENGINEERING: DMS MFG/MKTG: DFG APPROVED BY: [Signature] 9/23/10 9/23/10 9/23/10 9/23/10	
MATERIAL: N/A PART NAME: 10HP VAC TRIPLEX 200GAL EXPANDABLE		POWEREX 150 PRODUCTION DRIVE, HARRISON, OHIO 45030 Ph: 888-769-7979 FAX: (513) 367-3125 DWG NO: VPT1005-EXP SIZE: D	

REV	ZONE	REVISION	DATE	ECN	NAME	CHKD
B-1	ALL	RELEASE TO PRODUCTION	9/23/10	22347	AEK	GES
C-1	2 B6 2 ALL ALL	ADDED SIGHT GAUGE ADDED SOURCE VALVE INFORMATION CHANGED 3" BV/UNIONS TO BUTTERFLY VALVES ADDED P&ID/PII SHEETS	3/22/13	PXEC0030	AEK	GES
D-1	1 ALL	UPDATED TO RA SERIES PUMP	2/8/18	PXEC0148	AEK	GES



NOTE:
A 1/4 INCH VENT PLUG IS
LOCATED IN THE FILTER HOUSING.

NOTE:
1) TSH - TEMPERATURE SWITCH HIGH (OPTIONAL)
2) PER NFPA THE SYSTEM WILL REQUIRE A SOURCE VALVE (SUPPLIED BY OTHERS).

LEGEND	
	TEMP. SWITCH
	LOW OIL LEVEL SW.
	AIR FILTER
	BALL VALVE
	SOLENOID VALVE
	VACUUM SWITCH
	CHECK VALVE
	FLEX LINE
	UNION
	BUTTERFLY VALVE

SYMBOL LEGEND			ADDITIONAL CONTROL REQ'D	Drawings to conform to the current revision of the following ANSI standards
	MINUS DRAFT		BRINELL HARDNESS	Y14.3 Multi and sectional view dgs. Y14.5M Dimensioning and tolerancing
TOLERANCES NOT SPECIFIED		AUTOCAD REL2008 LT	DO NOT SCALE DRAWING FOR DIMENSIONS	
.XX ±	.XXX ±	INCH	Sheet 2 of 2	SCALE 1:14
CONFIDENTIAL DISCLOSURE This drawing is the property of the CAMPBELL GROUP OF THE SCOTT FETZER COMPANY and subject to return on demand. Its contents are confidential and must not be copied or submitted to outside parties for use or examination.				
DRAWN BY	CHECKED BY	ENGINEERING	MFG/MKTG	APPROVED BY
AEK	GES	DMS	DFG	
9/23/10	9/23/10	9/23/10	9/23/10	
MATERIAL		N/A		
PART NAME		VAC TRIPLEX EXP FLOW SCHEMATIC		
DWG NO		VPT1005-EXP		
SIZE		D		

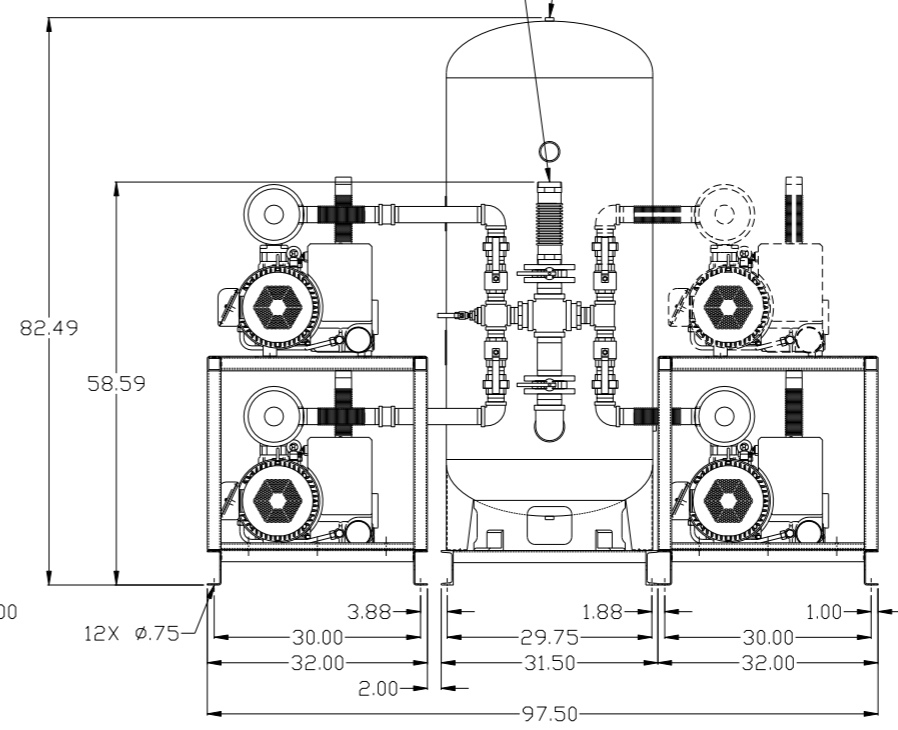
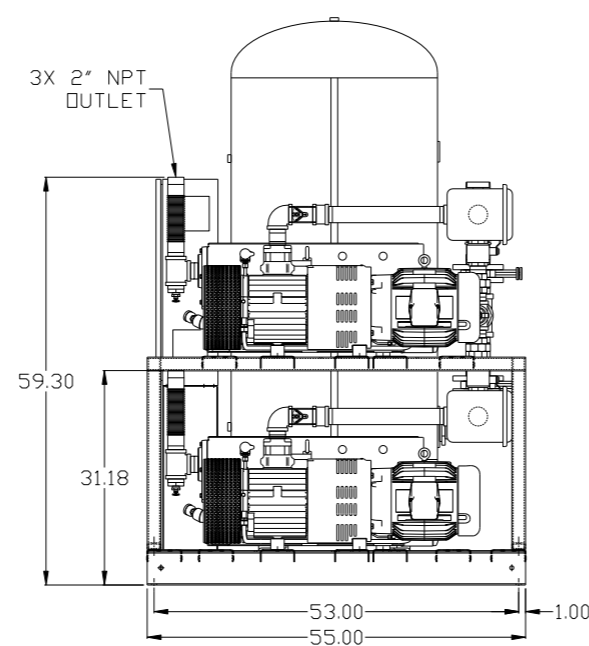
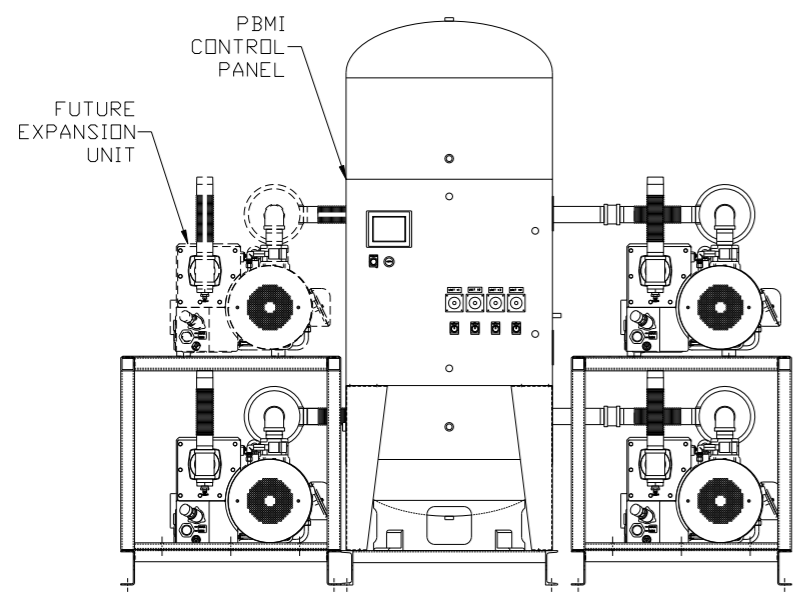
REV	ZONE	REVISION	DATE	ECN	NAME	CHKD
2	B6	ADDED SIGHT GAUGE				
2	ALL	ADDED SOURCE VALVE INFORMATION				
C-1	ALL	CHANGED 3" BV/UNIONS TO BUTTERFLY VALVES	3/22/13	PXEC0030	AEK	GES
	ALL	ADDED PBMI/HMI SHEETS				
D-1	ALL	UPDATED TO RA SERIES PUMP	2/8/18	PXEC0148	AEK	GES

MINIMUM RECOMMENDED ELECTRICAL PANEL CLEARANCE PER OSHA/NEC REQUIREMENTS

MINIMUM RECOMMENDED MAINTENANCE CLEARANCE

EXPANSION PUMP & TOP FRAME NOT SHOWN IN TOP VIEW FOR CLARITY

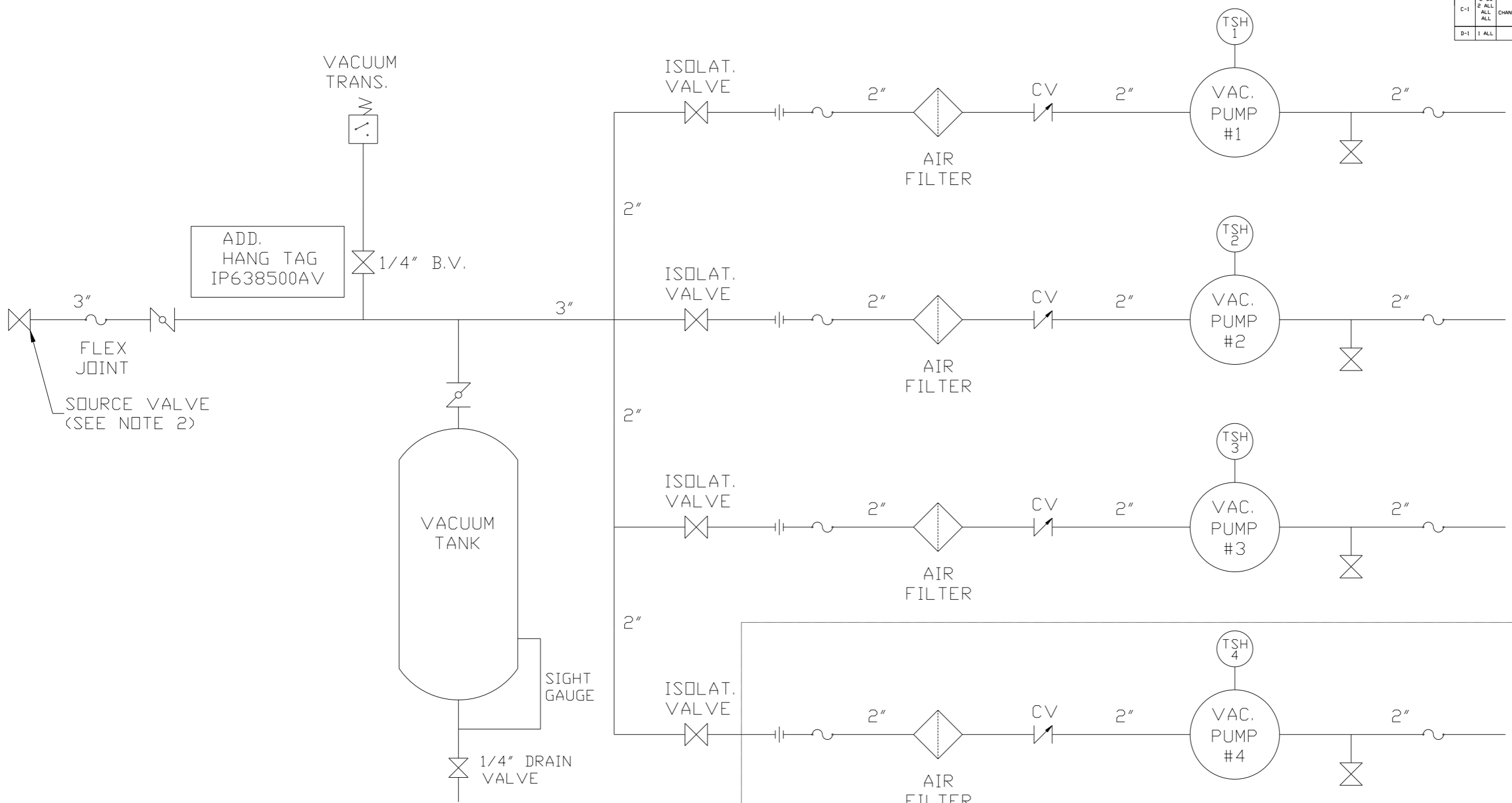
3" NPT INLET
200GAL ASME RECEIVER



NOTE: SYSTEM DESIGNED IN COMPLIANCE WITH U.S. NFPA '99, LATEST EDITION.

SYMBOL LEGEND		= MINUS DRAFT		= PLUS DRAFT		= ADDITIONAL CONTROL REQ'D		= BRINELL HARDNESS		Drawings to conform to the current revision of the following ANSI standards: Y14.3 Multi and sectional view dgs. Y14.5M Dimensioning and tolerancing	
TOLERANCES NOT SPECIFIED		.XX ±		.XXX ±		<< DEG >> ±		AUTOCAD REL2008 LT		DO NOT SCALE DRAWING FOR DIMENSIONS	
MATERIAL		N/A		DRAWN BY		CHECKED BY		APPROVED BY		Sheet 1 of 2	
PART NAME		10HP VAC TRIPLEX		3/22/13		3/22/13		3/22/13		3/22/13	
200GAL EXPANDABLE		DWG NO		VPT1005-EXP		SCALE		1:14		SIZE	
		D									

REV	ZONE	REVISION	DATE	ECN	NAME	CHKD
2	B6	ADDED SIGHT GAUGE				
2	ALL	ADDED SOURCE VALVE INFORMATION				
C-1	ALL	CHANGED 3" BV/UNIONS TO BUTTERFLY VALVES	3/22/13	PXEC0030	AEK	GES
		ADDED PBM/HMI SHEETS				
D-1	ALL	UPDATED TO RA SERIES PUMP	2/8/18	PXEC0148	AEK	GES



ADD.
HANG TAG
IP638500AV

NOTE:
A 1/4 INCH VENT PLUG IS
LOCATED IN THE FILTER HOUSING.

NOTE:
1) TSH - TEMPERATURE SWITCH HIGH (OPTIONAL)
2) PER NFPA THE SYSTEM WILL REQUIRE A SOURCE VALVE (SUPPLIED BY OTHERS).

LEGEND	
	TEMP. SWITCH
	LOW OIL LEVEL SW.
	AIR FILTER
	BALL VALVE
	SOLENOID VALVE
	VACUUM SWITCH
	CHECK VALVE
	FLEX LINE
	UNION
	BUTTERFLY VALVE

SYMBOL LEGEND			ADDITIONAL CONTROL REQ'D	Drawings to conform to the current revision of the following ANSI standards
	MINUS DRAFT		BRINELL HARDNESS	Y14.3 Multi and sectional view dsgs. Y14.5M Dimensioning and tolerancing
TOLERANCES NOT SPECIFIED		AUTOCAD REL2008 LT	DO NOT SCALE DRAWING FOR DIMENSIONS	
.XX ±		INCH	Sheet 2 of 2	SCALE 1:14
.XXX ±				
<DEG> ±				
CONFIDENTIAL DISCLOSURE				
This drawing is the property of the CAMPBELL GROUP OF THE SCOTT FETZER COMPANY and subject to return on demand. Its contents are confidential and must not be copied or submitted to outside parties for use or examination.				
DRAWN BY	CHECKED BY	ENGINEERING	MFG/MKTG	APPROVED BY
AEK	GES	DMS	DFG	
3/22/13	3/22/13	3/22/13	3/22/13	
MATERIAL		N/A		
PART NAME		VAC TRIPLEX EXP FLOW SCHEMATIC		
DWG NO		VPT1005-EXP		
SIZE		D		