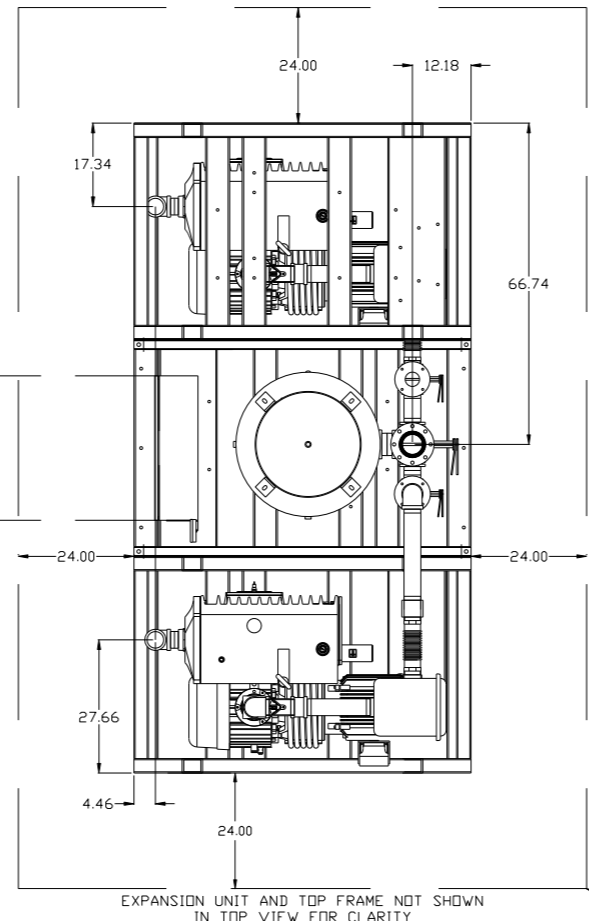
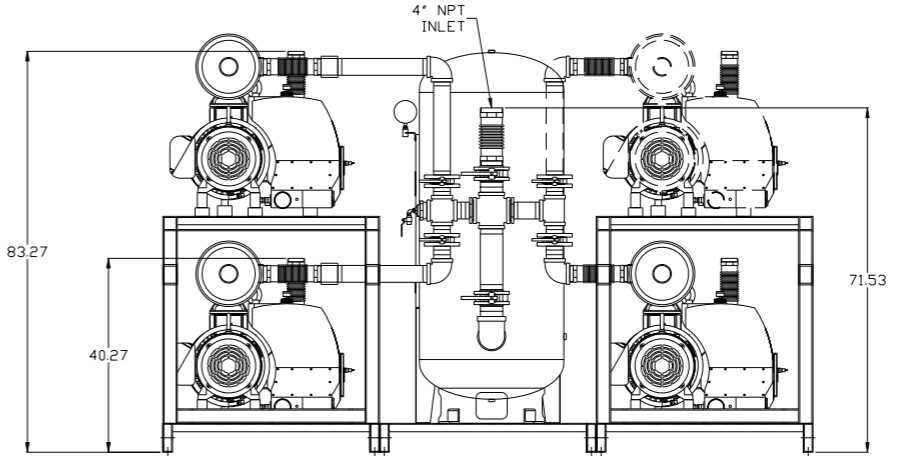
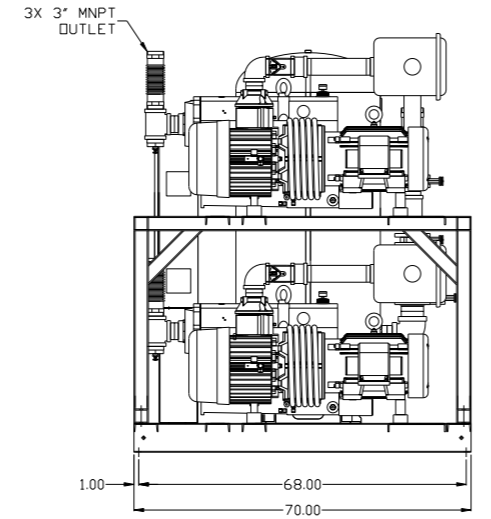
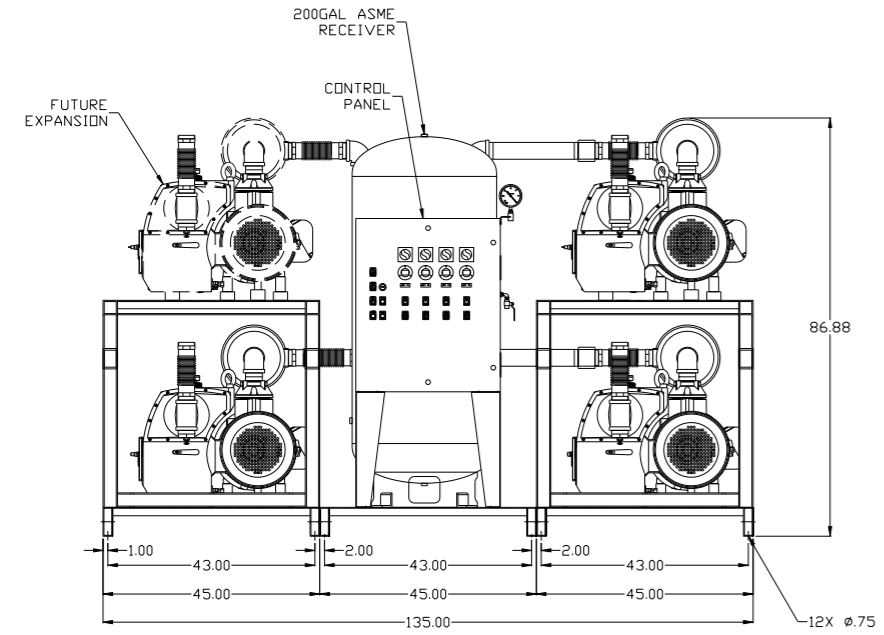


REV	ZONE	REVISION	DATE	ECN	NAME	CHKD
B-1	ALL	RELEASE TO PRODUCTION	2/13/12	22722	AEK	GES
C-1	ALL	ADDED P&MI SHEETS	7/30/14	PXEC0067	AEK	GES



MINIMUM RECOMMENDED ELECTRICAL PANEL CLEARANCE PER OSHA/NEC REQUIREMENTS

MINIMUM RECOMMENDED MAINTENANCE CLEARANCE

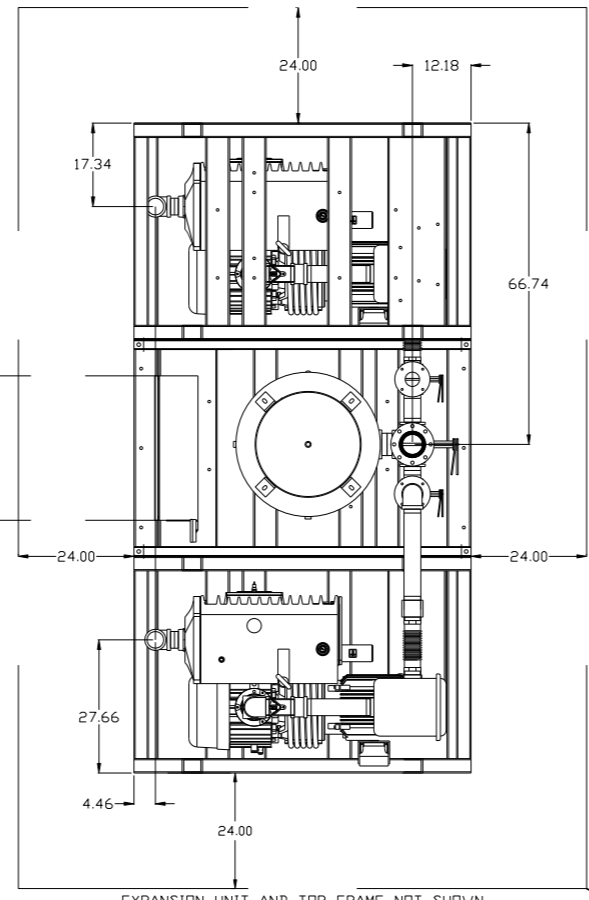


NOTE: SYSTEM DESIGNED IN COMPLIANCE WITH U.S. NFPA '99, LATEST EDITION.

<b>SYMBOL LEGEND</b> ⊖ = MINUS DRAFT ⊕ = PLUS DRAFT TOLERANCES NOT SPECIFIED .XX ± .XXX ± << DEG > ±		= ADDITIONAL CONTROL REQ'D = BRINELL HARDNESS		Drawings to conform to the current revision of the following ANSI standards: Y14.3 Multi and sectional view dsgs. Y14.5M Dimensioning and tolerancing	
AUTOCAD REL2008 LT INCH		DO NOT SCALE DRAWING FOR DIMENSIONS Sheet 1 of 4 SCALE 1:20		CONFIDENTIAL DISCLOSURE This drawing is the property of the CAMPBELL GROUP OF THE SCOTT FETZER COMPANY and subject to return on demand. Its contents are confidential and must not be copied or submitted to outside parties for use or examination.	
DRAWN BY AEK		CHECKED BY GES		APPROVED BY ENGINEERING MFG/MKTG DMS RJR	
MATERIAL N/A		DATE 2/13/12		DATE 2/13/12	
PART NAME 15HP VACUUM TRIPLEX 200GAL EXPANDABLE		DWG NO VPT1505-EXP		SIZE D	

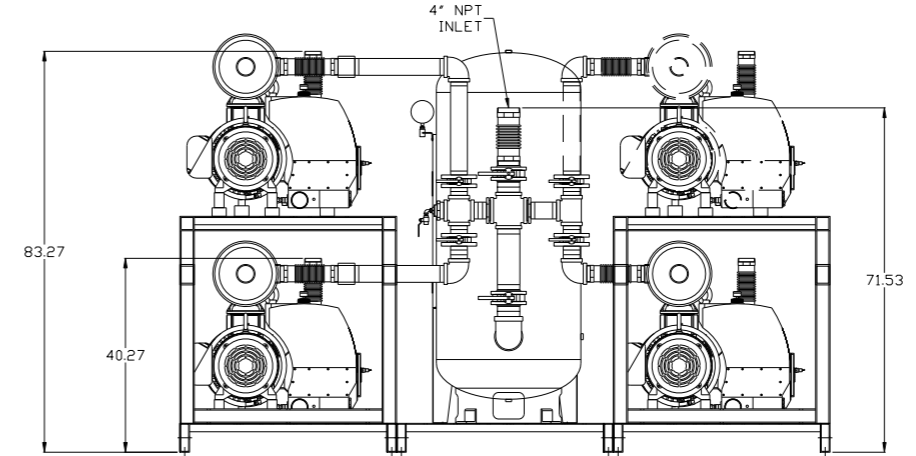
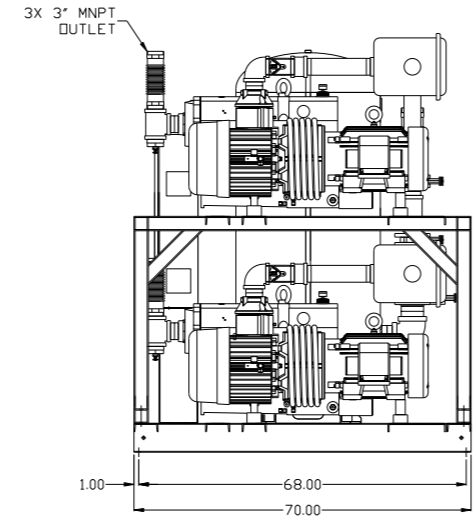
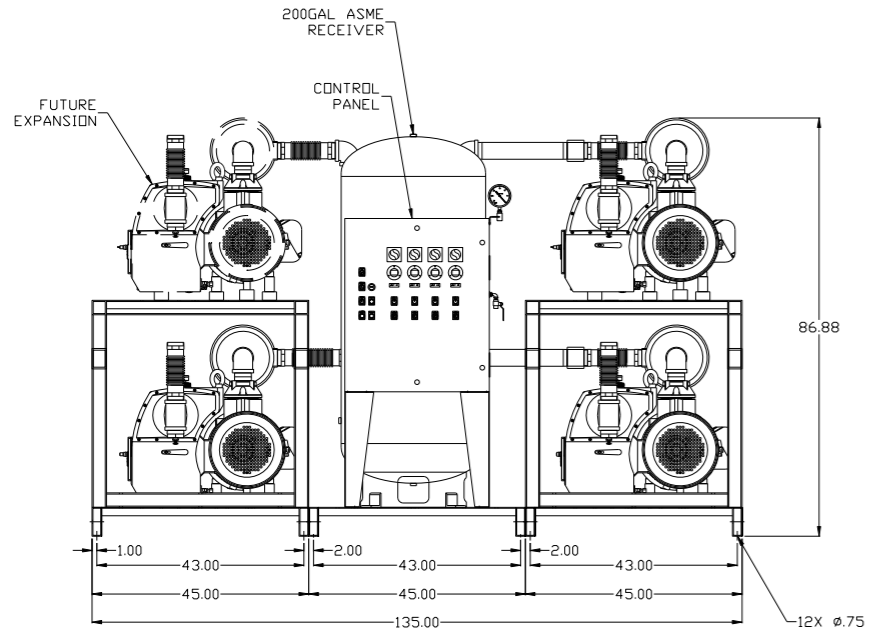


REV	ZONE	REVISION	DATE	ECN	NAME	CHKD
B-1	ALL	RELEASE TO PRODUCTION	2/13/12	22722	AEK	GES
C-1	ALL	ADDED P&MI SHEETS	7/30/14	PXEC0067	AEK	GES



MINIMUM RECOMMENDED ELECTRICAL PANEL CLEARANCE PER OSHA/NEC REQUIREMENTS

MINIMUM RECOMMENDED MAINTENANCE CLEARANCE

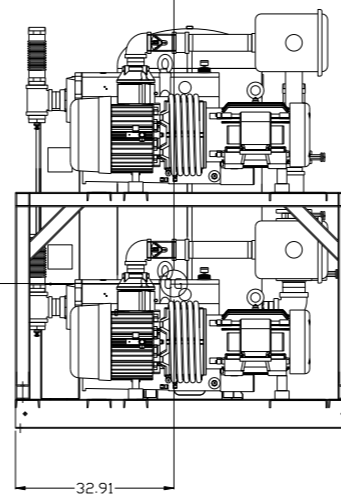
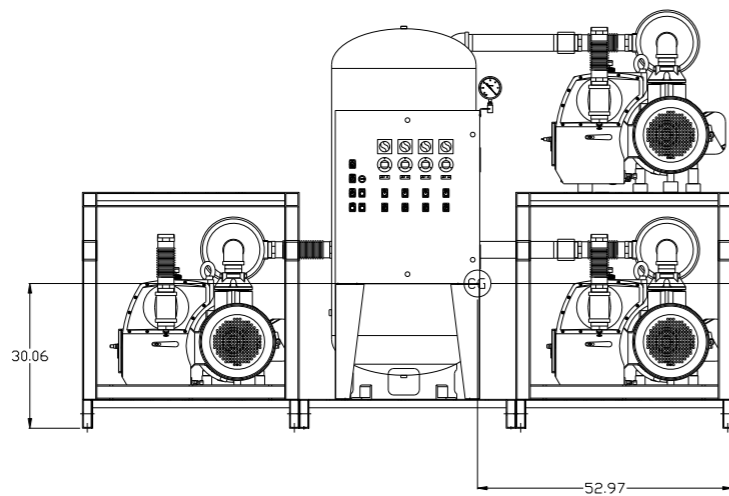
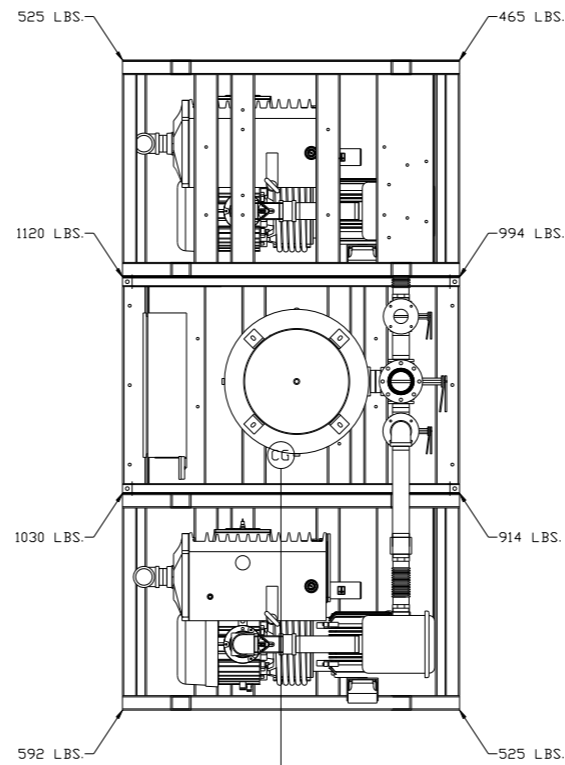


NOTE: SYSTEM DESIGNED IN COMPLIANCE WITH U.S. NFPA '99, LATEST EDITION.

<b>SYMBOL LEGEND</b> ⊖ = MINUS DRAFT ⊕ = PLUS DRAFT TOLERANCES NOT SPECIFIED .XX ± .XXX ± << DEG > ±		= ADDITIONAL CONTROL REQ'D = BRINELL HARDNESS		Drawings to conform to the current revision of the following ANSI standards: Y14.3 Multi and sectional view dsgs. Y14.5M Dimensioning and tolerancing	
AUTOCAD REL2008 LT INCH		DO NOT SCALE DRAWING FOR DIMENSIONS Sheet 1 of 4 SCALE 1:20		<b>CONFIDENTIAL DISCLOSURE</b> This drawing is the property of the CAMPBELL GROUP OF THE SCOTT FETZER COMPANY and subject to return on demand. Its contents are confidential and must not be copied or submitted to outside parties for use or examination.	
DRAWN BY AEK	CHECKED BY GES	APPROVED BY DMS	MFG/MKTG RJR	DATE 2/13/12	DATE 2/13/12
MATERIAL N/A		PART NAME 15HP VACUUM TRIPLEX 200GAL EXPANDABLE		DWG NO VPT1505-EXP.D	



REV	ZONE	REVISION	DATE	ECN	NAME	CHKD
B-1	ALL	RELEASE TO PRODUCTION	2/13/12	22722	AEK	GES
C-1	ALL	ADDED PAMI SHEETS	7/30/14	PXEC0067	AEK	GES



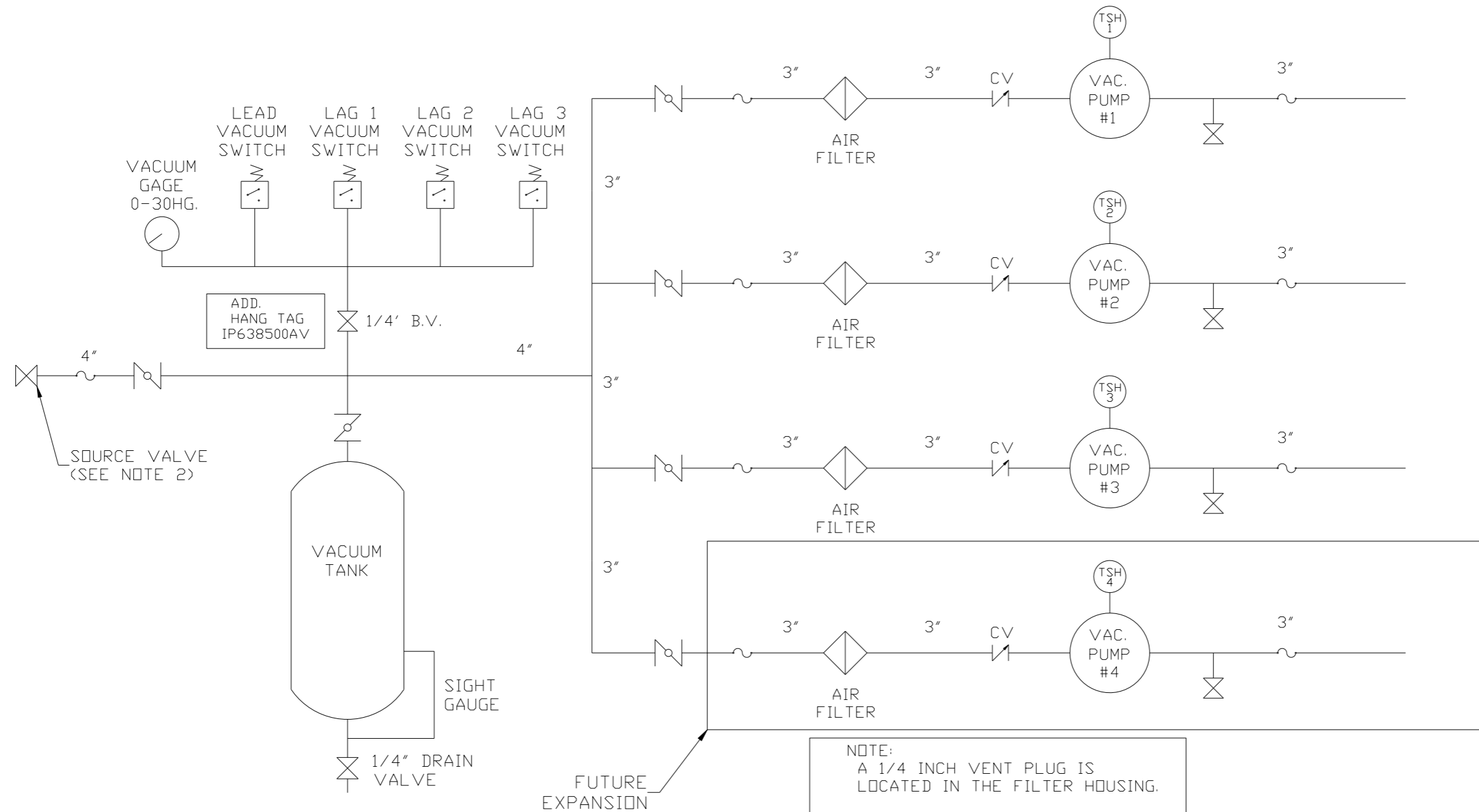
VACUUM SYSTEM:  
TOTAL WEIGHT: 6165 LBS  
C.O.G. DIMENSIONS  
X (FRONT): -52.97"  
Y (RIGHT): 32.91"  
Z (HEIGHT): 30.06"

denotes center of gravity (CG)

NOTE: CENTER OF GRAVITY CALCULATED WITHOUT FUTURE EXPANSION PUMP INSTALLED.

<b>SYMBOL LEGEND</b> ⊖ = MINUS DRAFT ⊕ = PLUS DRAFT ⊕ = ADDITIONAL CONTROL REQ'D HRC = BRINELL HARDNESS		Drawings to conform to the current revision of the following ANSI standards: Y14.3 Multi and sectional view dgs. Y14.5M Dimensioning and tolerancing	
TOLERANCES NOT SPECIFIED .XX ± .XXX ± < < DEG > ±		AUTOCAD REL2008 LT INCH DO NOT SCALE DRAWING FOR DIMENSIONS Sheet 4 of 4 SCALE 1:20	
CONFIDENTIAL DISCLOSURE This drawing is the property of the CAMPBELL GROUP of the SCOTT FETZER COMPANY and subject to return on demand. Its contents are confidential and must not be copied or submitted to outside parties for use or examination.		DRAWN BY: AEK CHECKED BY: GES 2/13/12 APPROVED BY: ENGINEERING MFG/MKTG DMS RJR 2/13/12 2/13/12	
MATERIAL: N/A		PART NAME: 15HP VACUUM TRIPLEX 200GAL EXPANDABLE DWG NO: VPT1505-EXP D SIZE: D 150 PRODUCTION DRIVE, HARRISON, OHIO 45030 Ph: 888-769-7979 FAX: (513) 367-3125	

REV	ZONE	REVISION	DATE	ECN	NAME	CHKD
B-1	ALL	RELEASE TO PRODUCTION	2/13/12	22722	AEK	GES
C-1	ALL	ADDED P&MI SHEETS	7/30/14	PXEC0067	AEK	GES

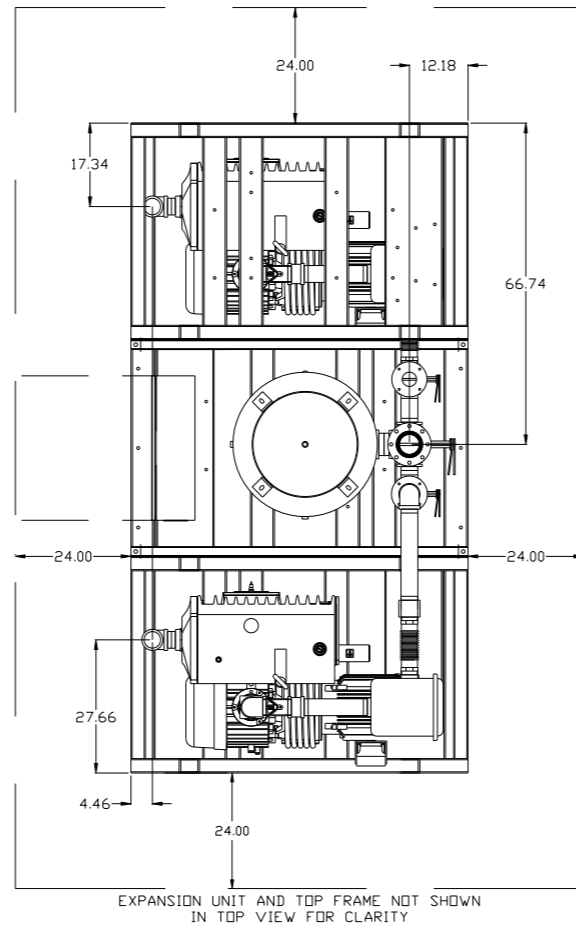


LEGEND	
	TEMP. SWITCH
	VACUUM SWITCH
	AIR FILTER
	BALL VALVE
	BUTTERFLY VALVE
	CHECK VALVE
	FLEX LINE
	UNION

NOTES:  
 1) TSH - TEMPERATURE SWITCH HIGH  
 2) PER NFPA THE SYSTEM WILL REQUIRE A SOURCE VALVE (SUPPLIED BY OTHERS).

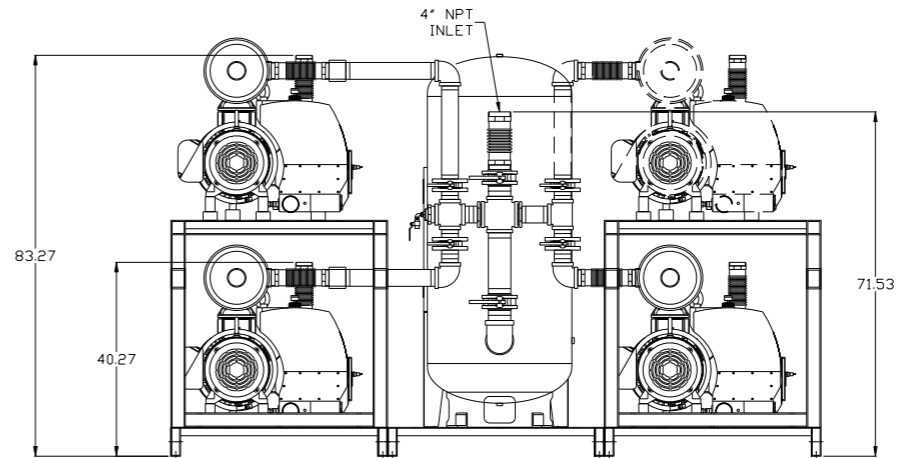
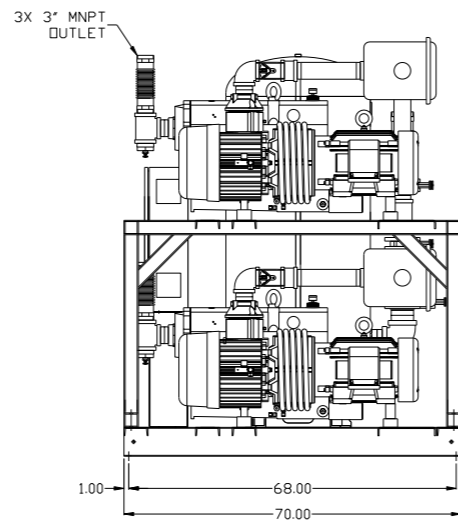
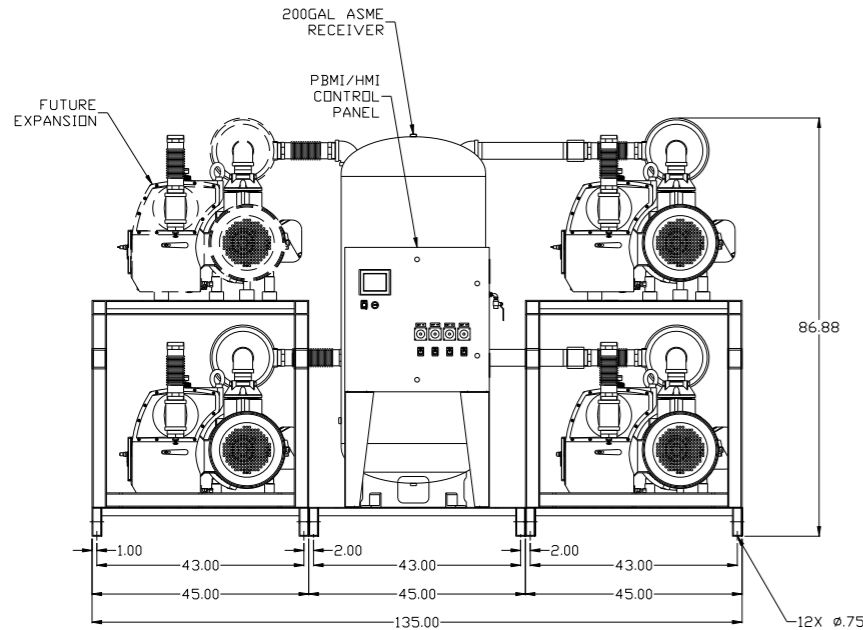
SYMBOL LEGEND			= ADDITIONAL CONTROL REQ'D	Drawings to conform to the current revision of the following ANSI standards: Y14.3 Multi and sectional view dgs. Y14.5M Dimensioning and tolerancing
	= MINUS DRAFT		= BRINELL HARDNESS	
TOLERANCES NOT SPECIFIED		AUTOCAD REL2008 LT	DO NOT SCALE DRAWING FOR DIMENSIONS	
.XX ±		INCH	Sheet 2 of 4	SCALE 1:20
CONFIDENTIAL DISCLOSURE This drawing is the property of the CAMPBELL GROUP of the SCOTT FETZER COMPANY and subject to return on demand. Its contents are confidential and must not be copied or submitted to outside parties for use or examination.		DRAWN BY AEK	CHECKED BY GES	APPROVED BY DMS RJR
MATERIAL N/A		2/13/12	2/13/12	2/13/12
PART NAME TRIPLEX EXPANDABLE VAC PKG		 150 PRODUCTION DRIVE, HARRISON, OHIO 45030 Ph: 888-769-7979 FAX: (513) 367-3125		
FLOW SCHEMATIC		DWG NO VPT1505-EXP	SIZE D	

REV	ZONE	REVISION	DATE	ECN	NAME	CHKD
C-1	ALL	ADDED PXMI SHEETS	7/30/14	PXEC0067	AEK	GES



MINIMUM RECOMMENDED ELECTRICAL PANEL CLEARANCE PER OSHA/NEC REQUIREMENTS

MINIMUM RECOMMENDED MAINTENANCE CLEARANCE

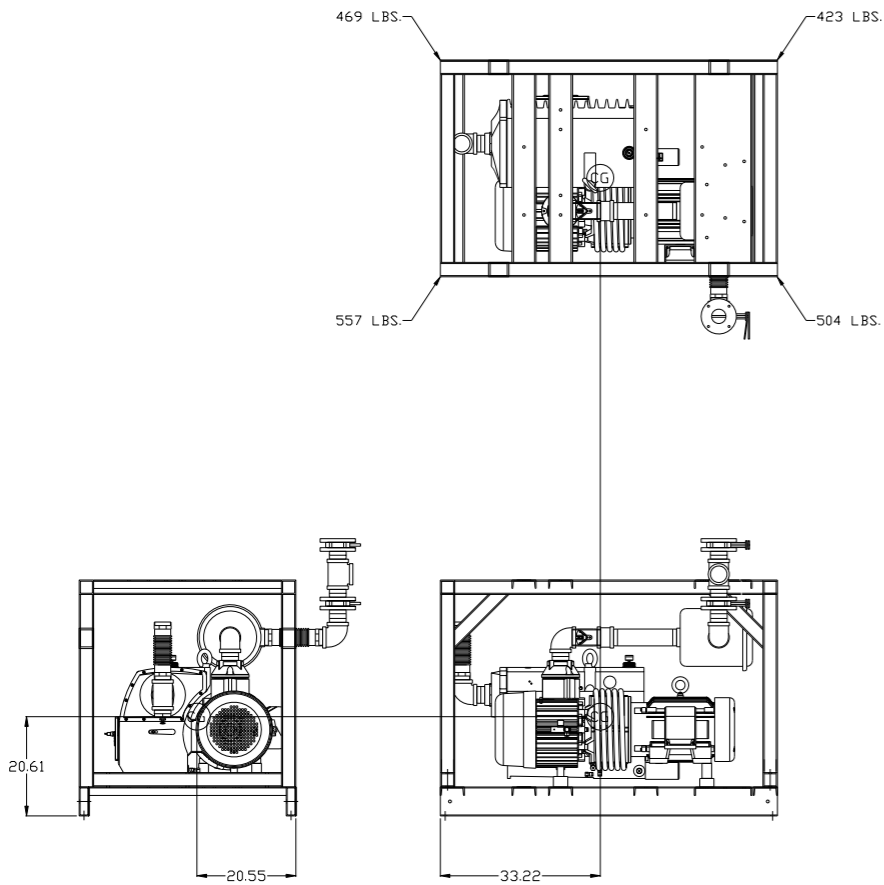


NOTE: SYSTEM DESIGNED IN COMPLIANCE WITH U.S. NFPA '99, LATEST EDITION.

<b>SYMBOL LEGEND</b> ⊖ = MINUS DRAFT ⊕ = PLUS DRAFT TOLERANCES NOT SPECIFIED .XX ± .XXX ± << DEG > ±		= ADDITIONAL CONTROL REQ'D = BRINELL HARDNESS		Drawings to conform to the current revision of the following ANSI standards: Y14.3 Multi and sectional view dgs. Y14.5M Dimensioning and tolerancing	
AUTOCAD REL2014 LT INCH		DO NOT SCALE DRAWING FOR DIMENSIONS Sheet 1 of 4 SCALE 1:20		CONFIDENTIAL DISCLOSURE This drawing is the property of the CAMPBELL GROUP OF THE SCOTT FETZER COMPANY and subject to return on demand. Its contents are confidential and must not be copied or submitted to outside parties for use or examination.	
DRAWN BY AEK	CHECKED BY GES	APPROVED BY DMS	MFG/MKTG RJR	DATE 7/30/14	DATE 7/30/14
MATERIAL N/A		PART NAME 15HP VACUUM TRIPLEX 200GAL EXPANDABLE		DWG NO VPT1505-EXP.D SIZE	

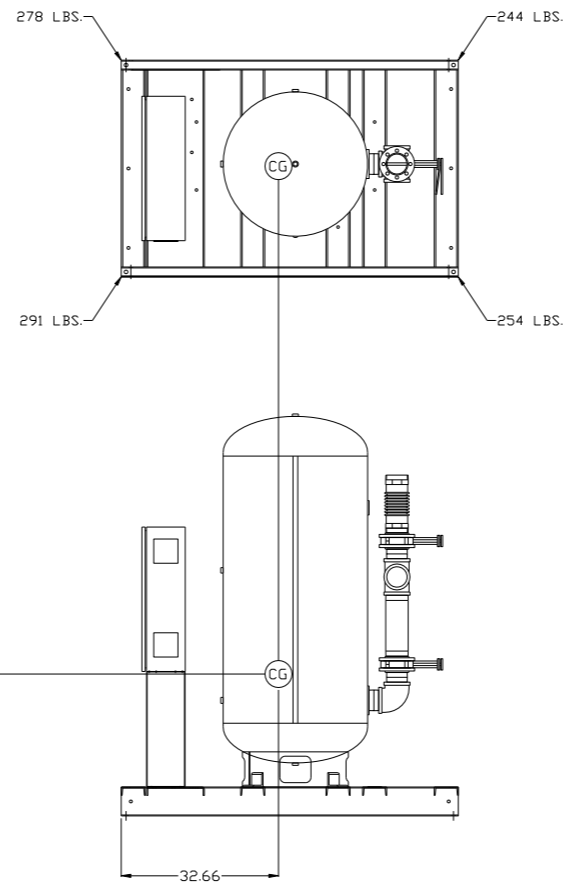


REV	ZONE	REVISION	DATE	ECN	NAME	CHKD
C-1	ALL	ADDED PXMI SHEETS	7/30/14	PXEC0067	AEK	GES



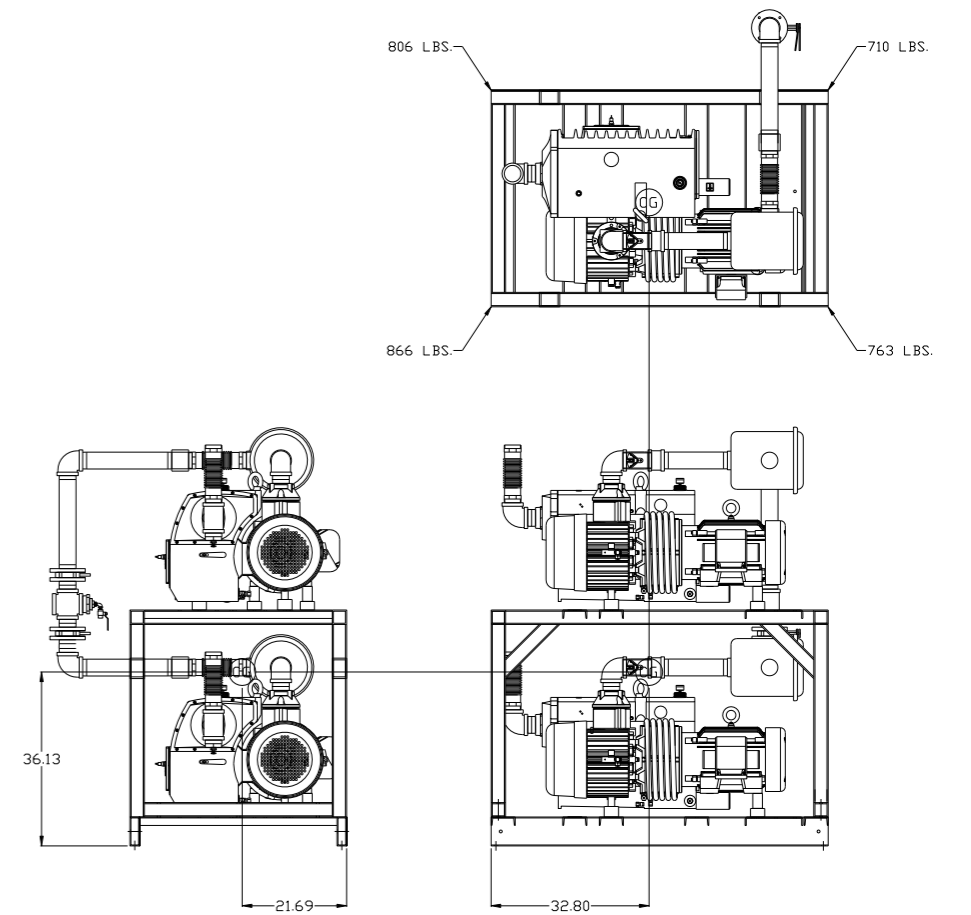
PUMP SKID #2:

TOTAL WEIGHT: 1953 LBS  
 C.O.G. DIMENSIONS  
 X (FRONT): -20.55"  
 Y (RIGHT): 33.22"  
 Z (HEIGHT): 20.61"



PANEL/TANK SKID:

TOTAL WEIGHT: 1067 LBS  
 C.O.G. DIMENSIONS  
 X (FRONT): -22.99"  
 Y (RIGHT): 32.66"  
 Z (HEIGHT): 29.47"



PUMP SKID #1:

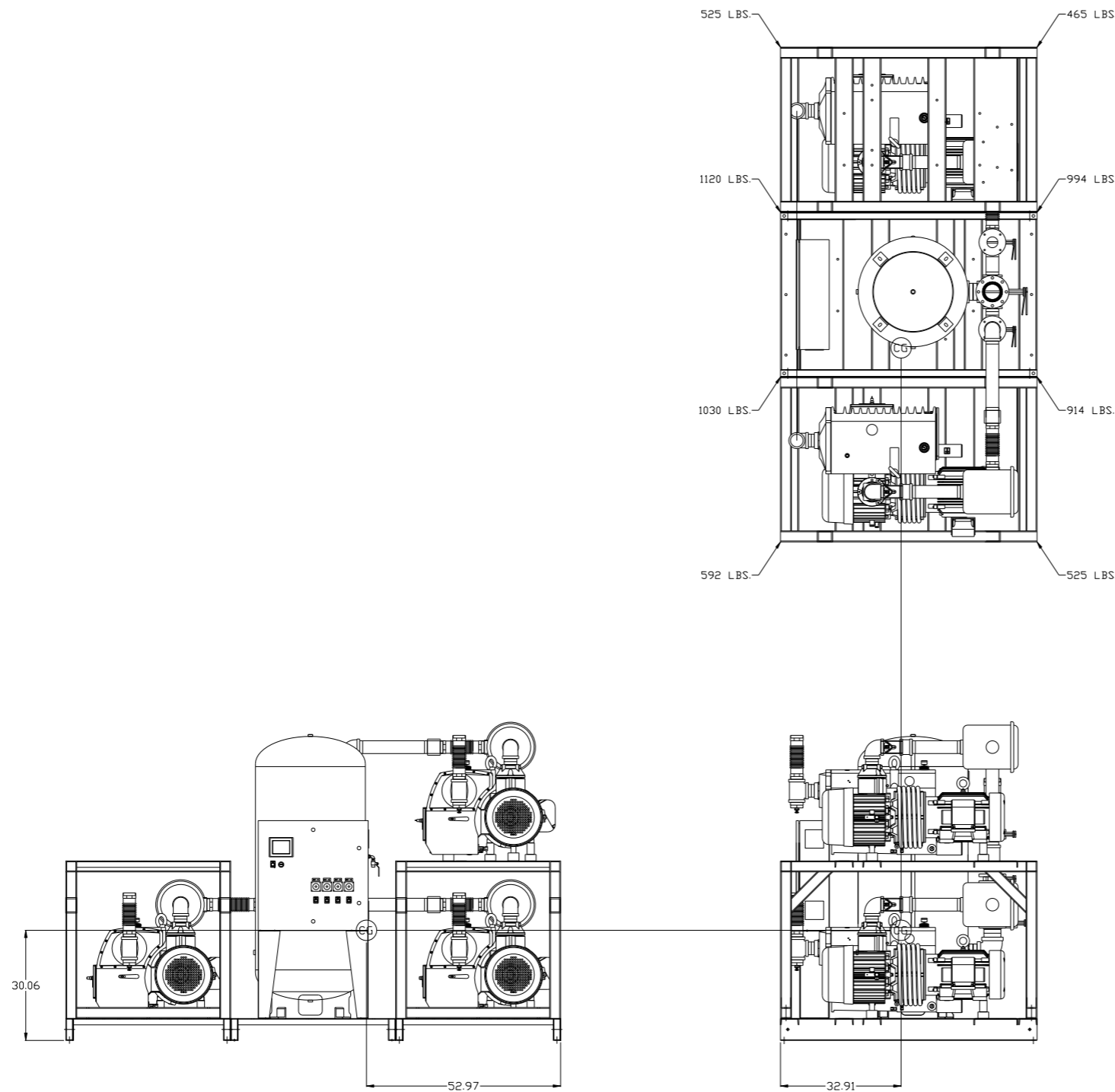
TOTAL WEIGHT: 3145 LBS  
 C.O.G. DIMENSIONS  
 X (FRONT): -21.69"  
 Y (RIGHT): 32.80"  
 Z (HEIGHT): 36.13"

denotes center of gravity (CG)

NOTE: CENTER OF GRAVITY CALCULATED WITHOUT FUTURE EXPANSION PUMP INSTALLED.

<b>SYMBOL LEGEND</b> ⊖ = MINUS DRAFT ⊕ = PLUS DRAFT ⊕ = ADDITIONAL CONTROL REQ'D HRC = BRINELL HARDNESS		Drawings to conform to the current revision of the following ANSI standards: Y14.3 Multi and sectional view dgs. Y14.5M Dimensioning and tolerancing	
TOLERANCES NOT SPECIFIED .XX ± .XXX ± <math>\angle</math> (DEG) ±		AUTOCAD REL2014 LT <b>INCH</b> DO NOT SCALE DRAWING FOR DIMENSIONS Sheet 3 of 4 SCALE 1:20	
<b>CONFIDENTIAL DISCLOSURE</b> This drawing is the property of the CAMPBELL GROUP OF THE SCOTT FETZER COMPANY and subject to return on demand. Its contents are confidential and must not be copied or submitted to outside parties for use or examination.			
DRAWN BY AEK		CHECKED BY GES	
APPROVED BY DMS		ENGINEERING RJR	
MATERIAL N/A		DATE 7/30/14	
PART NAME 15HP VACUUM TRIPLEX 200GAL EXPANDABLE		DATE 7/30/14	
DWG NO VPT1505-EXP		SIZE D	

REV	ZONE	REVISION	DATE	ECN	NAME	CHKD
C-1	ALL	ADDED PXMI SHEETS	7/30/14	PXEC0067	AEK	GES



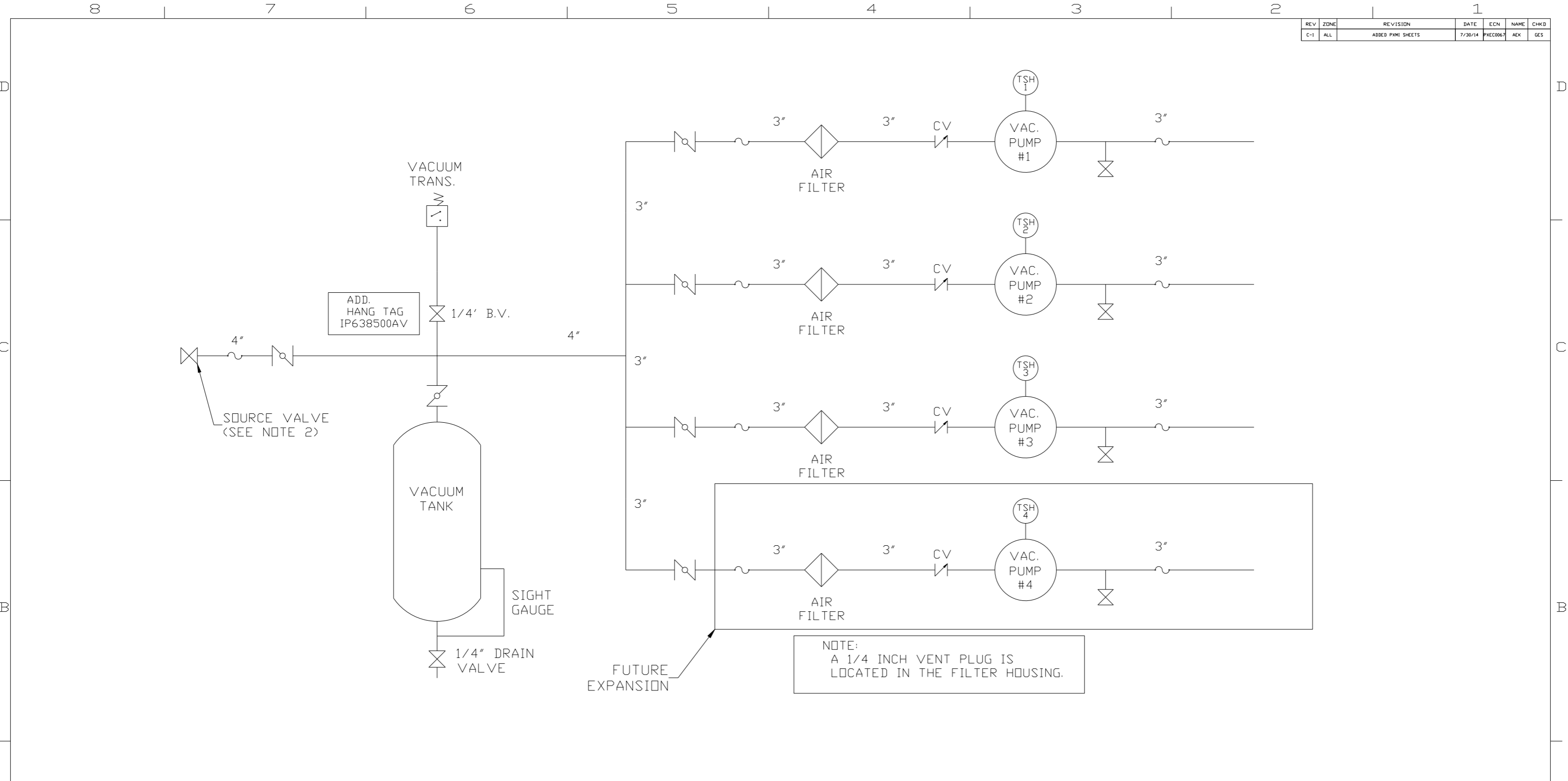
VACUUM SYSTEM:  
 TOTAL WEIGHT: 6165 LBS  
 C.O.G. DIMENSIONS  
 X (FRONT): -52.97"  
 Y (RIGHT): 32.91"  
 Z (HEIGHT): 30.06"

denotes center of gravity (CG)

NOTE: CENTER OF GRAVITY CALCULATED WITHOUT FUTURE EXPANSION PUMP INSTALLED.

<b>SYMBOL LEGEND</b> ⊖ = MINUS DRAFT ⊕ = PLUS DRAFT ⊕ = ADDITIONAL CONTROL REQ'D HRC = BRINELL HARDNESS		Drawings to conform to the current revision of the following ANSI standards: Y14.3 Multi and sectional view dgs. Y14.5M Dimensioning and tolerancing	
TOLERANCES NOT SPECIFIED .XX ± .XXX ± <DEG> ±		AUTOCAD REL2014 LT INCH DO NOT SCALE DRAWING FOR DIMENSIONS Sheet 4 of 4 SCALE 1:20	
CONFIDENTIAL DISCLOSURE This drawing is the property of the CAMPBELL GROUP of the SCOTT FETZER COMPANY and subject to return on demand. Its contents are confidential and must not be copied or submitted to outside parties for use or examination.			
DRAWN BY AEK		CHECKED BY GES	
APPROVED BY DMS		ENGINEERING MFG/MKTG RJR	
MATERIAL N/A		7/30/14 7/30/14 7/30/14 7/30/14	
PART NAME 15HP VACUUM TRIPLEX 200GAL EXPANDABLE		<b>POWEREX</b> 150 PRODUCTION DRIVE, HARRISON, OHIO 45030 Ph: 888-769-7979 FAX: (513) 367-3125	
DWG NO VPT1505-EXP		SIZE D	

REV	ZONE	REVISION	DATE	ECN	NAME	CHKD
C-1	ALL	ADDED PXMI SHEETS	7/30/14	PXEC0067	AEK	GES



ADD.  
HANG TAG  
IP638500AV

SOURCE VALVE  
(SEE NOTE 2)

VACUUM  
TANK

SIGHT  
GAUGE

1/4" DRAIN  
VALVE

NOTE:  
A 1/4 INCH VENT PLUG IS  
LOCATED IN THE FILTER HOUSING.

FUTURE  
EXPANSION

LEGEND	
TSH 2	TEMP. SWITCH
	AIR FILTER
	BALL VALVE
	BUTTERFLY VALVE
	VACUUM SWITCH
	CHECK VALVE
	FLEX LINE
	UNION

NOTES:  
1) TSH - TEMPERATURE SWITCH HIGH  
2) PER NFPA THE SYSTEM WILL REQUIRE A SOURCE VALVE (SUPPLIED BY OTHERS).

SYMBOL LEGEND		= ADDITIONAL CONTROL REQ'D	Drawings to conform to the current revision of the following ANSI standards:
= MINUS DRAFT	= BRINELL HARDNESS		Y14.3 Multi and sectional view dsgs. Y14.5M Dimensioning and tolerancing
TOLERANCES NOT SPECIFIED	AUTOCAD REL2014 LT	DO NOT SCALE DRAWING FOR DIMENSIONS	
.XX ±	INCH	Sheet 2 of 4	SCALE 1:20
.XXX ±			
<<DEG> ±			
CONFIDENTIAL DISCLOSURE		DRAWN BY	CHECKED BY
This drawing is the property of the CAMPBELL GROUP OF THE SCOTT FETZER COMPANY and subject to return on demand. Its contents are confidential and must not be copied or submitted to outside parties for use or examination.		AEK	GES
		APPROVED BY	ENGINEERING MFG/MRKTG
		7/30/14	DMS RJR
		7/30/14	7/30/14
MATERIAL		N/A	
PART NAME		TRIPLEX EXPANDABLE VAC PKG	
FLOW SCHEMATIC		DWG NO	SIZE
		VPT1505-EXP	D