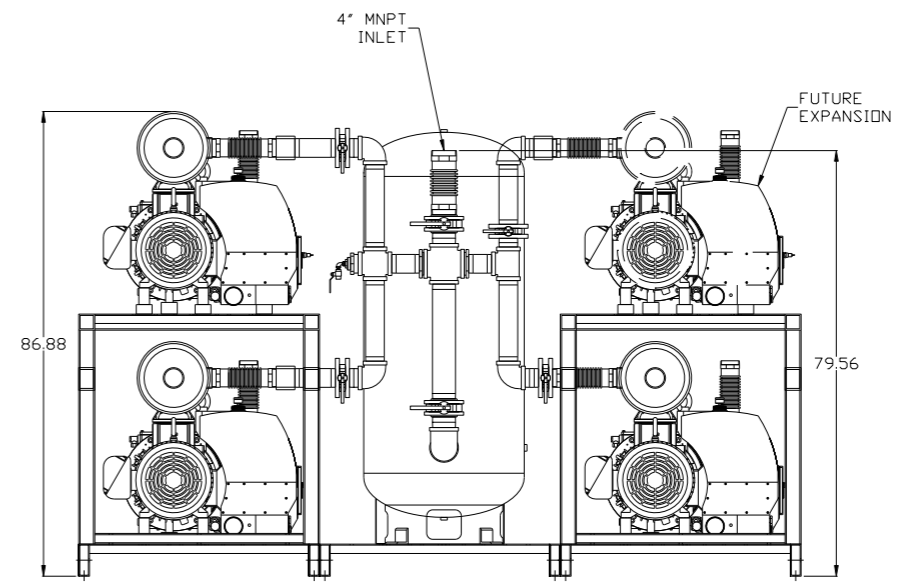
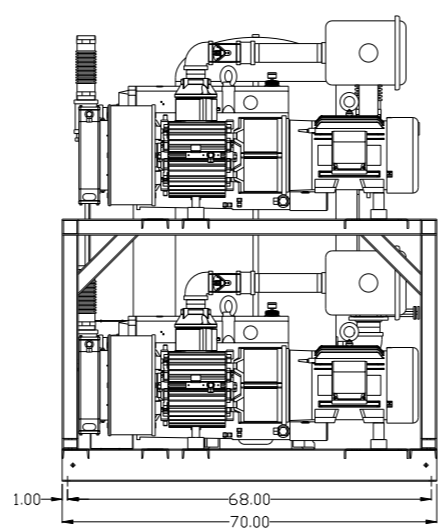
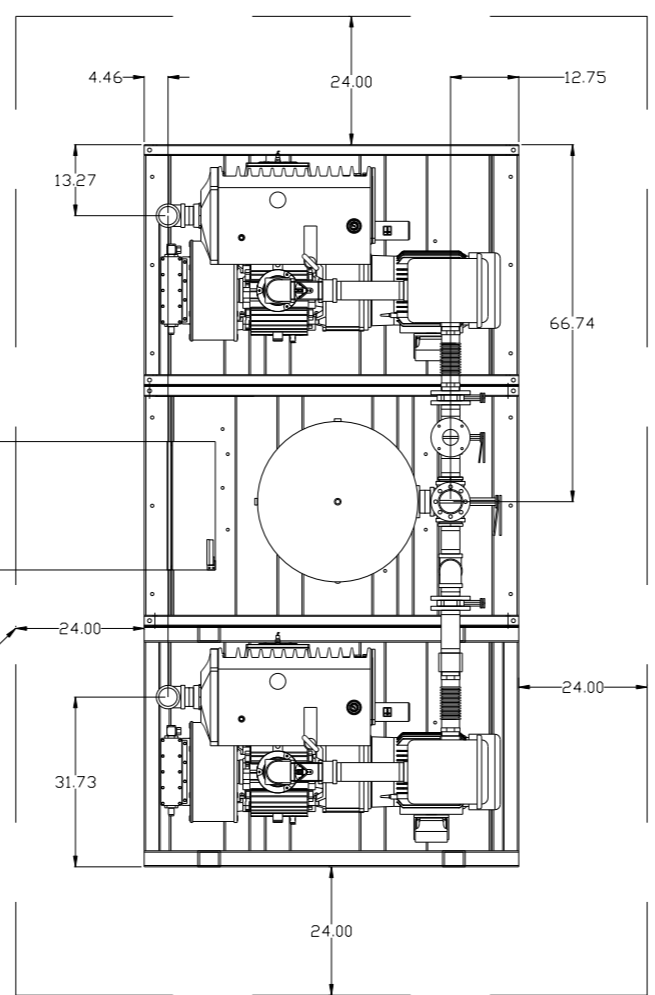
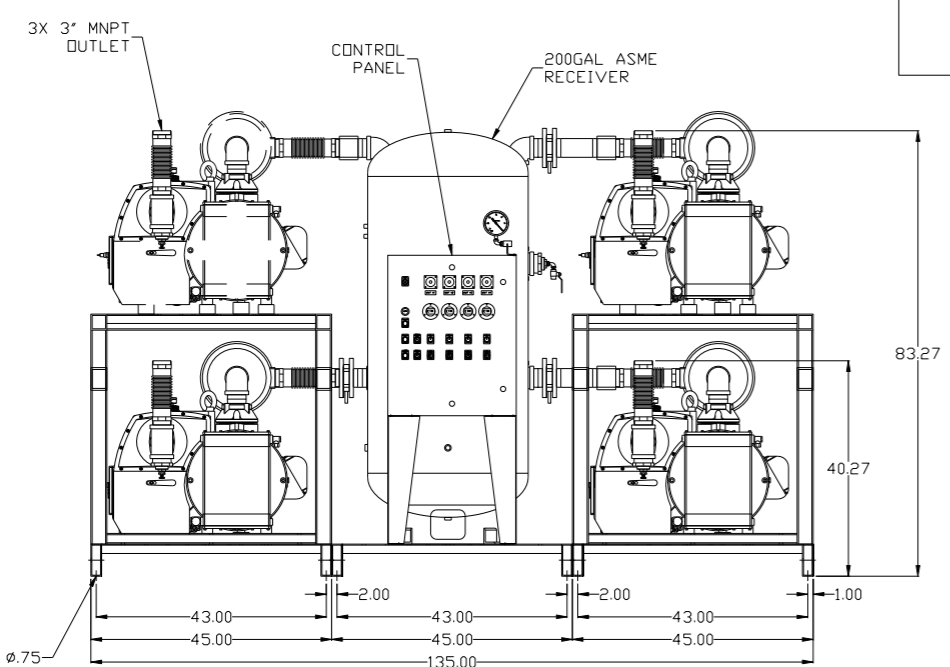


8 7 6 5 4 3 2 1

REV	ZONE	REVISION	DATE	ECN	NAME	CHKD
B-1	ALL	RELEASE TO PRODUCTION	11/17/08	21906	AEK	GES
2	ALL	ADDED SOURCE VALVE INFORMATION				
ALL	286	ADDED HIGH TEMP STANDARD ON BASIC CONTROLS				
ALL		ADDED SIGHT GAUGE				
C-1	ALL	CHANGED BALL VALVE/ONION TO BUTTERFLY VALVES	10/15/15	PXEC0093	AEK	GES
ALL		REMOVED MULTIPLE VOLTAGE SHEETS				
ALL		ADDED P&ID SHEETS				

MINIMUM RECOMMENDED ELECTRICAL PANEL CLEARANCE PER OSHA/NEC REQUIREMENTS

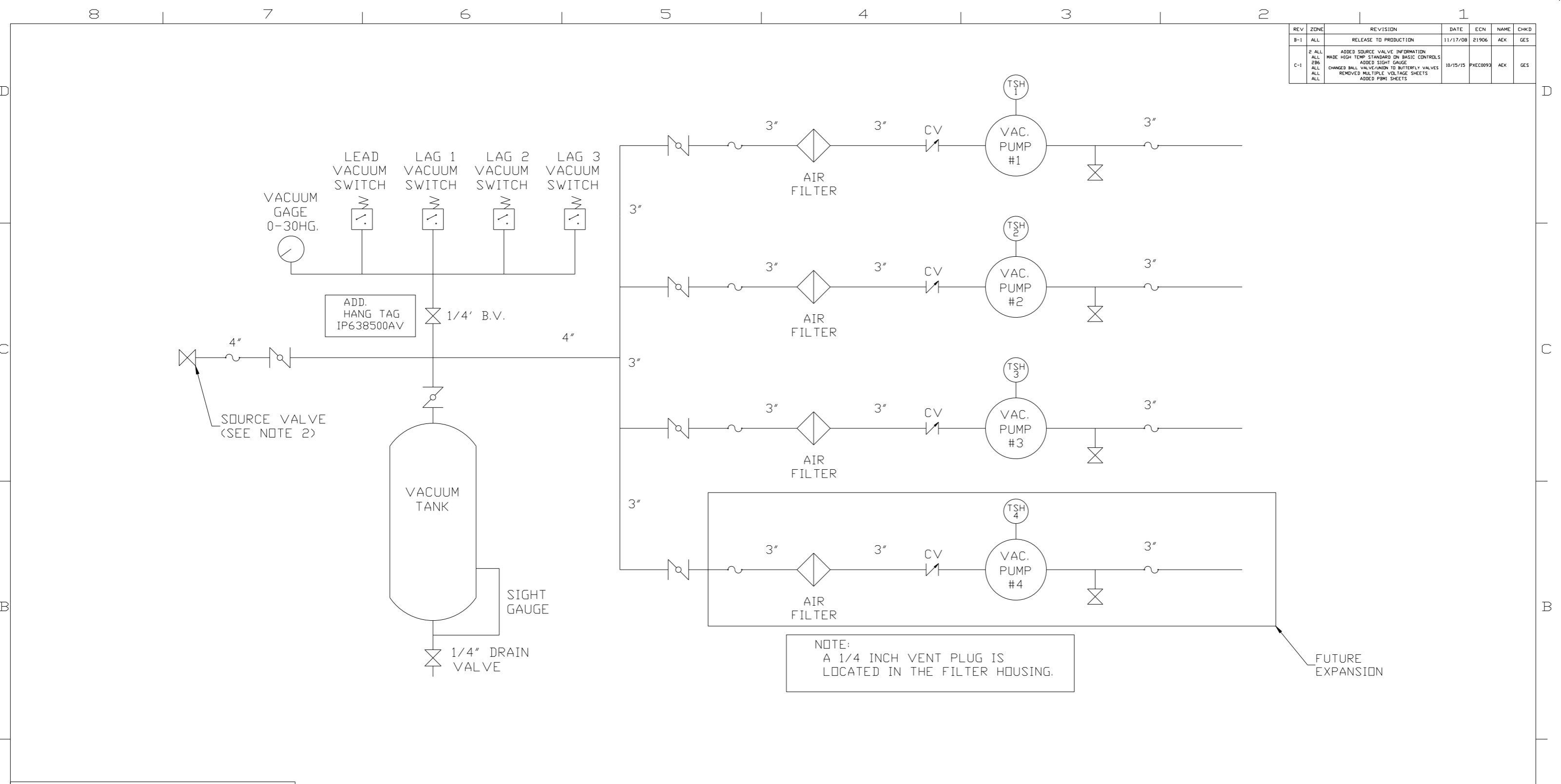
MINIMUM RECOMMENDED MAINTENANCE CLEARANCE



SYMBOL LEGEND ⊖ = MINUS DRAFT ⊕ = PLUS DRAFT TOLERANCES NOT SPECIFIED .XX ± .XXX ± << DEG > ±		= ADDITIONAL CONTROL REQ'D = BRINELL HARDNESS		Drawings to conform to the current revision of the following ANSI standards: Y14.3 Multi and sectional view dsgs. Y14.5M Dimensioning and tolerancing	
AUTOCAD REL2008 LT INCH		DO NOT SCALE DRAWING FOR DIMENSIONS Sheet 1 of 2 SCALE 1:18		CONFIDENTIAL DISCLOSURE This drawing is the property of POWEREX, INC. of the SCOTT FELTZER COMPANY and subject to return on demand. Its contents are confidential and must not be copied or submitted to outside parties for use or examination.	
DRAWN BY AEK		CHECKED BY GES		APPROVED BY ENGINEERING MFG/MRKTG DMS DFG	
DATE 11/17/08		DATE 11/17/08		DATE 11/17/08	
MATERIAL N/A		PART NAME 20HP MEDICAL VACUUM 200GAL TRIPLEX-EXP		DWG NO VPT2005-EXP	
SIZE D		POWEREX 150 PRODUCTION DRIVE, HARRISON, OHIO 45030 Ph 888-769-7979 FAX (513) 367-3125			

8 7 6 5 4 3 2 1

REV	ZONE	REVISION	DATE	ECN	NAME	CHKD
B-1	ALL	RELEASE TO PRODUCTION	11/17/08	21906	AEK	GES
2	ALL	ADDED SOURCE VALVE INFORMATION				
2	ALL	MADE HIGH TEMP STANDARD ON BASIC CONTROLS				
2	ALL	ADDED SIGHT GAUGE				
C-1	ALL	CHANGED BALL VALVE/UNION TO BUTTERFLY VALVES	10/15/15	PXEC0093	AEK	GES
C-1	ALL	REMOVED MULTIPLE VOLTAGE SHEETS				
C-1	ALL	ADDED P&ID SHEETS				



NOTE:
A 1/4 INCH VENT PLUG IS
LOCATED IN THE FILTER HOUSING.

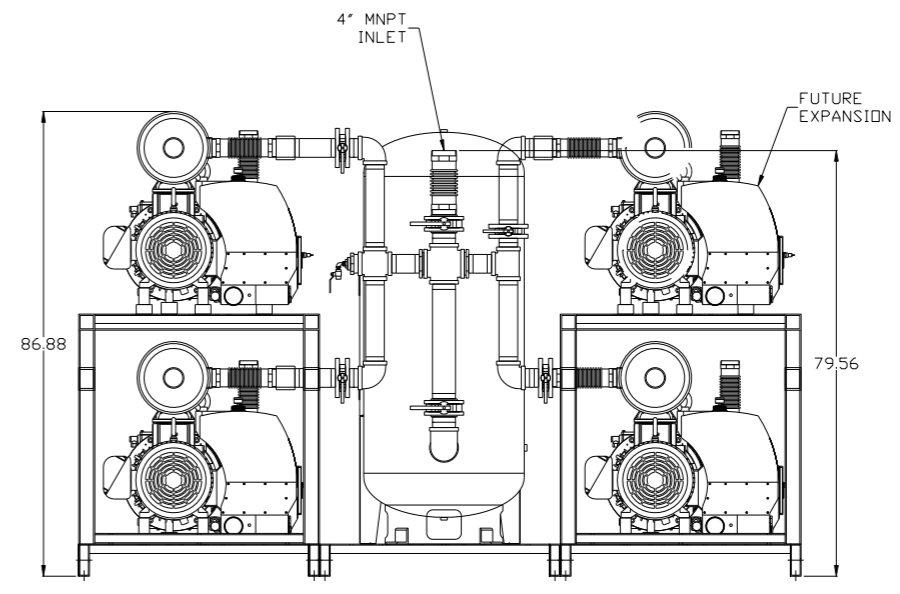
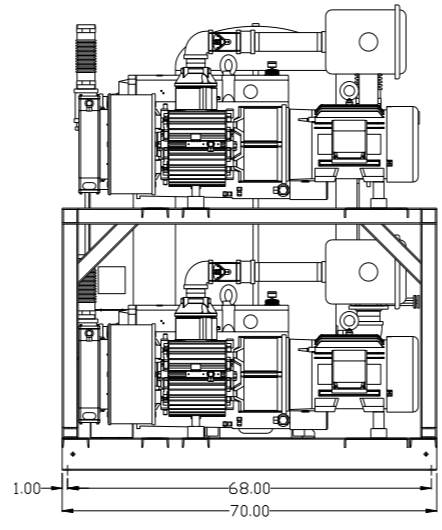
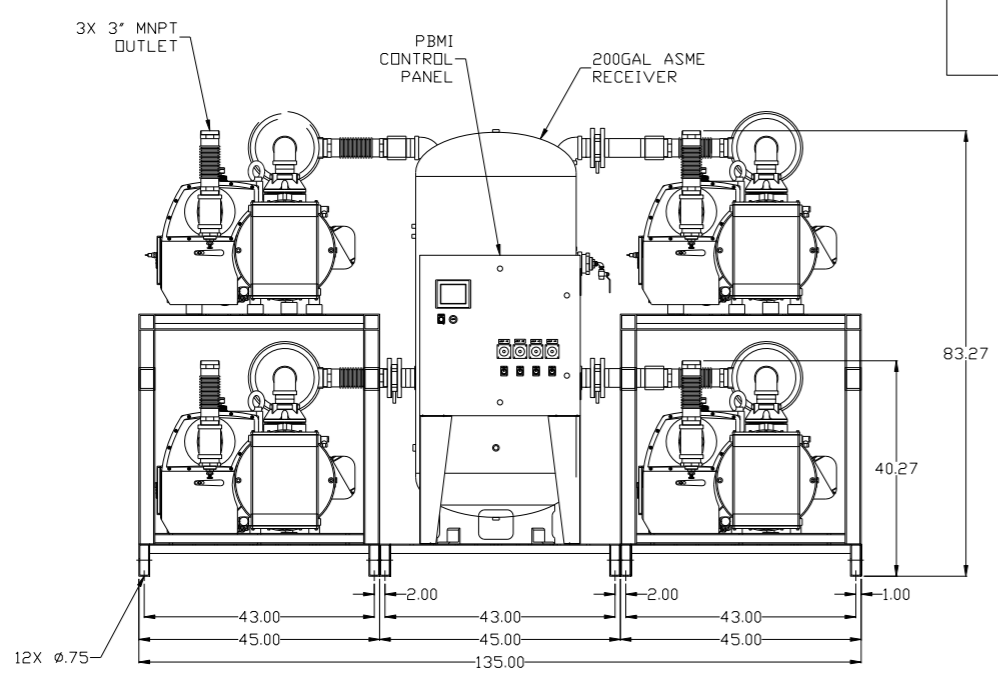
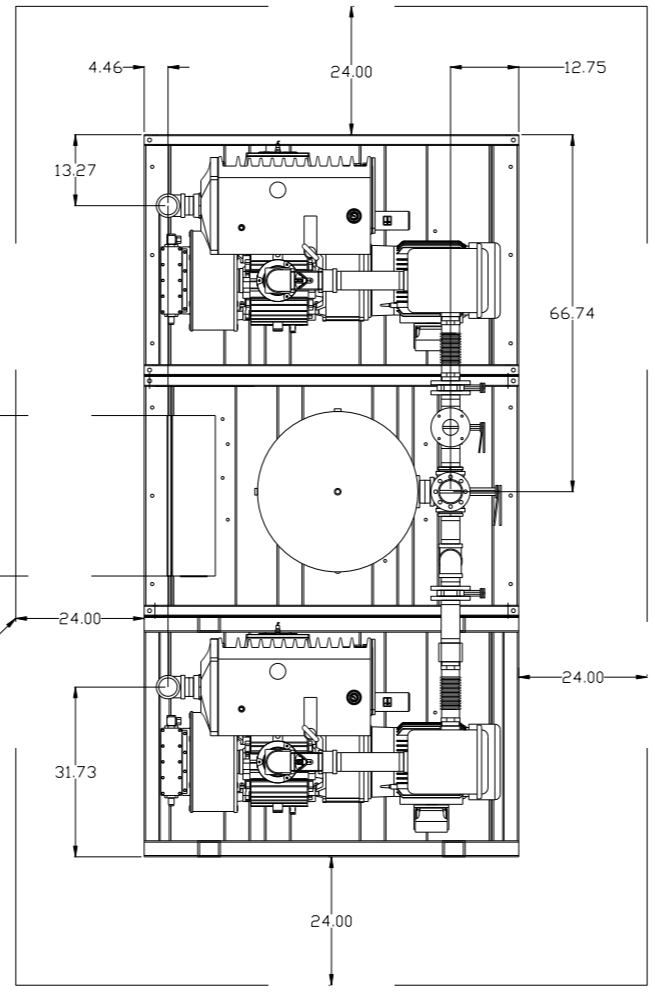
LEGEND	
	TEMP. SWITCH
	VACUUM SWITCH
	AIR FILTER
	BALL VALVE
	BUTTERFLY VALVE
	CHECK VALVE
	FLEX LINE
	UNION

NOTES:
1) TSH - TEMPERATURE SWITCH HIGH
2) PER NFPA THE SYSTEM WILL REQUIRE A SOURCE VALVE (SUPPLIED BY OTHERS).

SYMBOL LEGEND			ADDITIONAL CONTROL REQ'D	Drawings to conform to the current revision of the following ANSI standards
	MINUS DRAFT		BRINELL HARDNESS	Y14.3 Multi and sectional view dsgs. Y14.5M Dimensioning and tolerancing
TOLERANCES NOT SPECIFIED		AUTOCAD REL2008 LT		DO NOT SCALE DRAWING FOR DIMENSIONS
.XX ±		INCH		SCALE 1:18
.XXX ±				
<<DEG>> ±				
CONFIDENTIAL DISCLOSURE				
This drawing is the property of POWEREX, INC. of the SCOTT FETZER COMPANY and subject to return on demand. Its contents are confidential and must not be copied or submitted to outside parties for use or examination.				
DRAWN BY	CHECKED BY	APPROVED BY	MFG/MKTG	
AEK	GES	DMS	DFG	
11/17/08	11/17/08	11/17/08	11/17/08	
MATERIAL		N/A		
PART NAME		TRIPLEX-EXP VACUUM FLOW SCHEMATIC		
DWG NO		VPT2005-EXP		
SIZE		D		

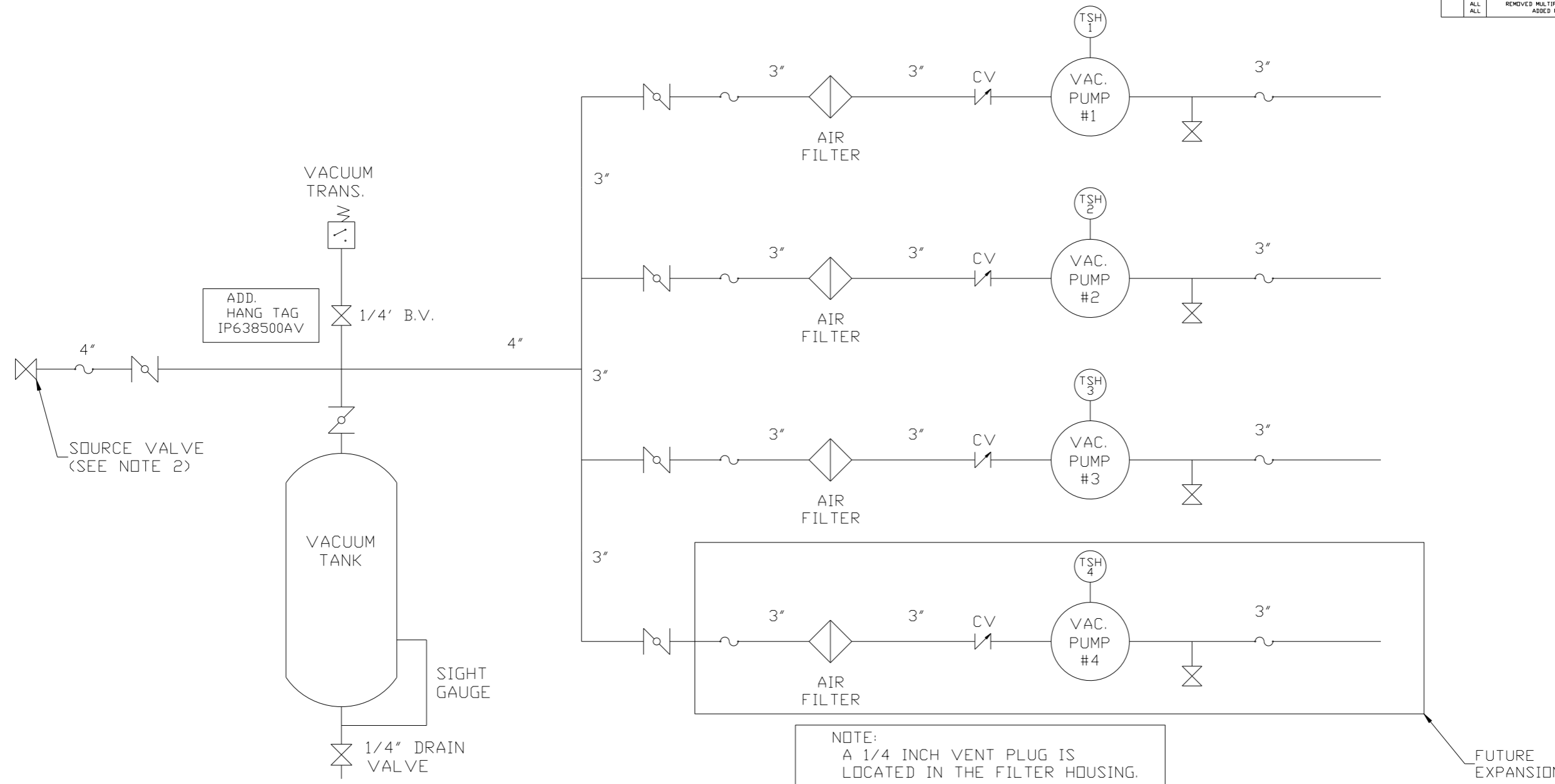
8 7 6 5 4 3 2 1

REV	ZONE	REVISION	DATE	ECN	NAME	CHKD
B-1	ALL	RELEASE TO PRODUCTION	11/17/08	21906	AEK	GES
2	ALL	ADDED SOURCE VALVE INFORMATION				
ALL	286	ADDED HIGH TEMP STANDARD ON BASIC CONTROLS				
ALL	ALL	ADDED SIGHT GAUGE				
C-1	ALL	CHANGED BALL VALVE/ONION TO BUTTERFLY VALVES	10/15/15	PXEC0093	AEK	GES
ALL	ALL	REMOVED MULTIPLE VOLTAGE SHEETS				
ALL	ALL	ADDED PBMI SHEETS				



SYMBOL LEGEND ⊖ = MINUS DRAFT ⊕ = PLUS DRAFT TOLERANCES NOT SPECIFIED .XX ± .XXX ± << DEG >> ±		= ADDITIONAL CONTROL REQ'D = BRINELL HARDNESS		Drawings to conform to the current revision of the following ANSI standards: Y14.3 Multi and sectional view dsgs. Y14.5M Dimensioning and tolerancing	
AUTOCAD REL2008 LT INCH		DO NOT SCALE DRAWING FOR DIMENSIONS Sheet 1 of 2 SCALE 1:18		CONFIDENTIAL DISCLOSURE This drawing is the property of POWEREX, INC. of the SCOTT FELTZER COMPANY and subject to return on demand. Its contents are confidential and must not be copied or submitted to outside parties for use or examination.	
DRAWN BY AEK		CHECKED BY GES		APPROVED BY ENGINEERING MFG/MKTG DMS DFG	
11/17/08		11/17/08		11/17/08 11/17/08	
MATERIAL N/A				PART NAME 20HP MEDICAL VACUUM 200GAL TRIPLEX-EXP	
DWG NO VPT2005-EXP		SIZE D		VP120059-EXP.dwg	

REV	ZONE	REVISION	DATE	ECN	NAME	CHKD
B-1	ALL	RELEASE TO PRODUCTION	11/17/08	21906	AEK	GES
2	ALL	ADDED SOURCE VALVE INFORMATION				
2	ALL	MADE HIGH TEMP STANDARD ON BASIC CONTROLS				
2	ALL	ADDED SIGHT GAUGE				
C-1	ALL	CHANGED BALL VALVE/UNION TO BUTTERFLY VALVES	10/15/15	PXEC0093	AEK	GES
C-1	ALL	REMOVED MULTIPLE VOLTAGE SHEETS				
C-1	ALL	ADDED P&ID SHEETS				



NOTE:
A 1/4 INCH VENT PLUG IS
LOCATED IN THE FILTER HOUSING.

FUTURE
EXPANSION

LEGEND	
	TEMP. SWITCH
	VACUUM SWITCH
	AIR FILTER
	CHECK VALVE
	BALL VALVE
	FLEX LINE
	BUTTERFLY VALVE
	UNION

NOTES:
1) TSH - TEMPERATURE SWITCH HIGH
2) PER NFPA THE SYSTEM WILL REQUIRE A SOURCE VALVE (SUPPLIED BY OTHERS).

SYMBOL LEGEND			ADDITIONAL CONTROL REQ'D	Drawings to conform to the current revision of the following ANSI standards
	MINUS DRAFT		BRINELL HARDNESS	Y14.3 Multi and sectional view dsgs. Y14.5M Dimensioning and tolerancing
TOLERANCES NOT SPECIFIED		AUTOCAD REL2008 LT	DO NOT SCALE DRAWING FOR DIMENSIONS	
.XX ±	.XXX ±	INCH	Sheet 2 of 2	SCALE 1:18
CONFIDENTIAL DISCLOSURE This drawing is the property of POWEREX, INC. of the SCOTT FETZER COMPANY and subject to return on demand. Its contents are confidential and must not be copied or submitted to outside parties for use or examination.				
DRAWN BY	CHECKED BY	APPROVED BY	ENGINEERING	MFG/MKTG
AEK	GES	DMS	DFG	
11/17/08	11/17/08	11/17/08	11/17/08	11/17/08
MATERIAL N/A				
PART NAME		150 PRODUCTION DRIVE, HARRISON, OHIO 45030 Ph: 888-769-7979 FAX: (513) 367-3125		
TRIPLEX-EXP VACUUM FLOW SCHEMATIC		DWG NO	VPT2005-EXP	SIZE D