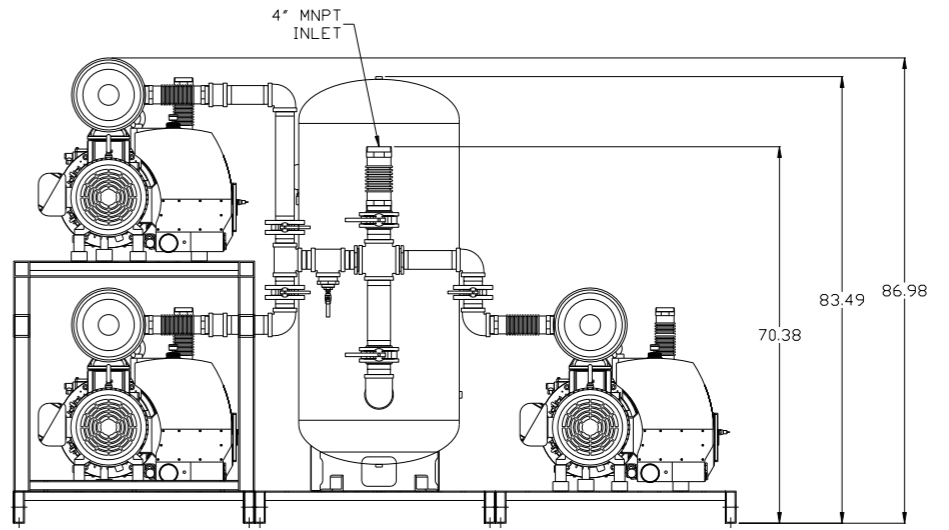
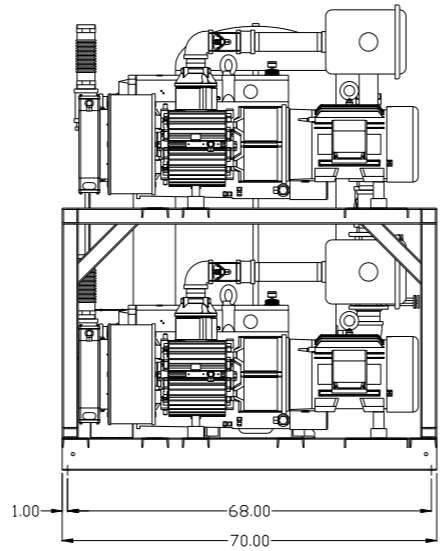
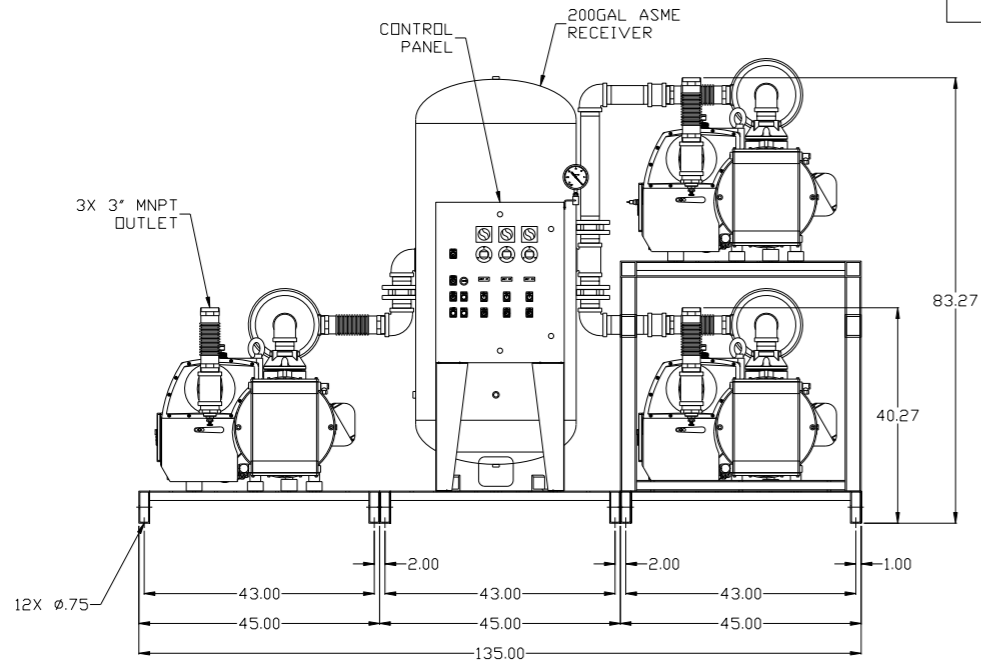
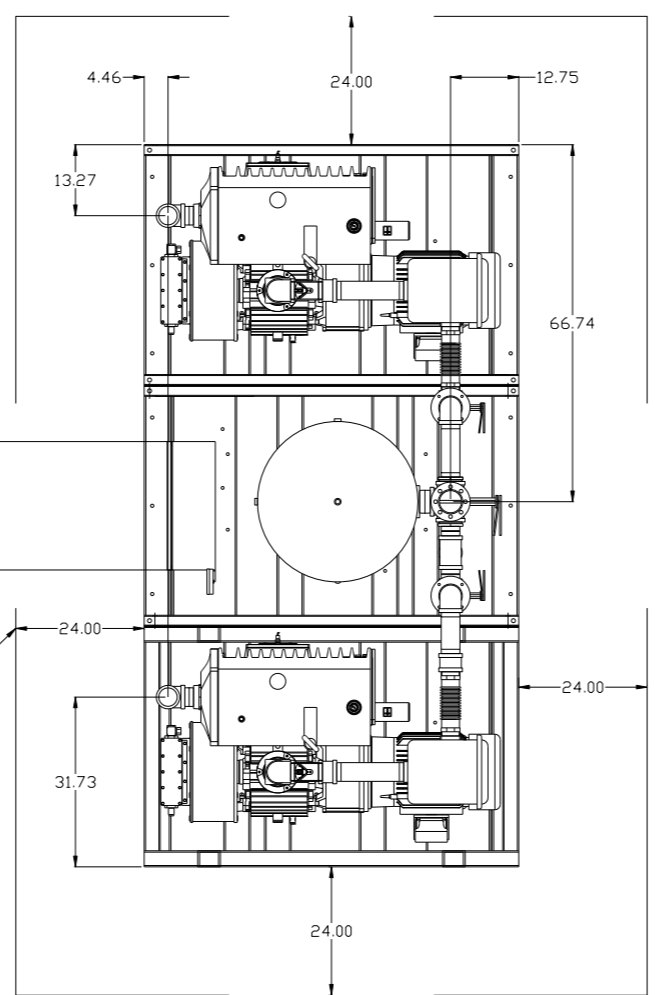


8 7 6 5 4 3 2 1

REV	ZONE	REVISION	DATE	ECN	NAME	CHKD
B-1	ALL	RELEASE TO PRODUCTION	4/7/08	21881	AEK	GES
B-2	ALL	REMOVED SIGHT GAUGE FROM FLOW SCHEMATIC MOUNTED PUMPS ON REDESIGNED FRAME	4/25/08	21881	AEK	GES
C-1	2 ALL	REMOVED LOW OIL LIGHT OPTION	8/15/08	21906	AEK	GES
D-1	1 ALL	REMOVED VACUUM SWITCHES FROM CONTROL PANEL	10/19/09	22127	AEK	GES
E-1	1 ALL 1 MATAB 2 BEZEL	CORRECTED INLET FLEX LENGTH ADDED SKID WIDTH DIMS ADDED DRIP LEG	10/5/10	22348	AEK	GES
F-1	ALL 2 BG 2 ALL ALL	CHANGED BALL VALVE/UNION TO BUTTERFLY VALVE ADDED SIGHT GAUGE ADDED SOURCE VALVE INFORMATION ADDED SHEETS 3 & 4 C.D.G. INFORMATION	9/2/17	PXEC0067	AEK	DMS
G-1	1 ALL	ADDED P&ID SHEETS	12/22/15	PXEC0093	AEK	GES

MINIMUM RECOMMENDED ELECTRICAL PANEL CLEARANCE PER OSHA/NEC REQUIREMENTS

MINIMUM RECOMMENDED MAINTENANCE CLEARANCE



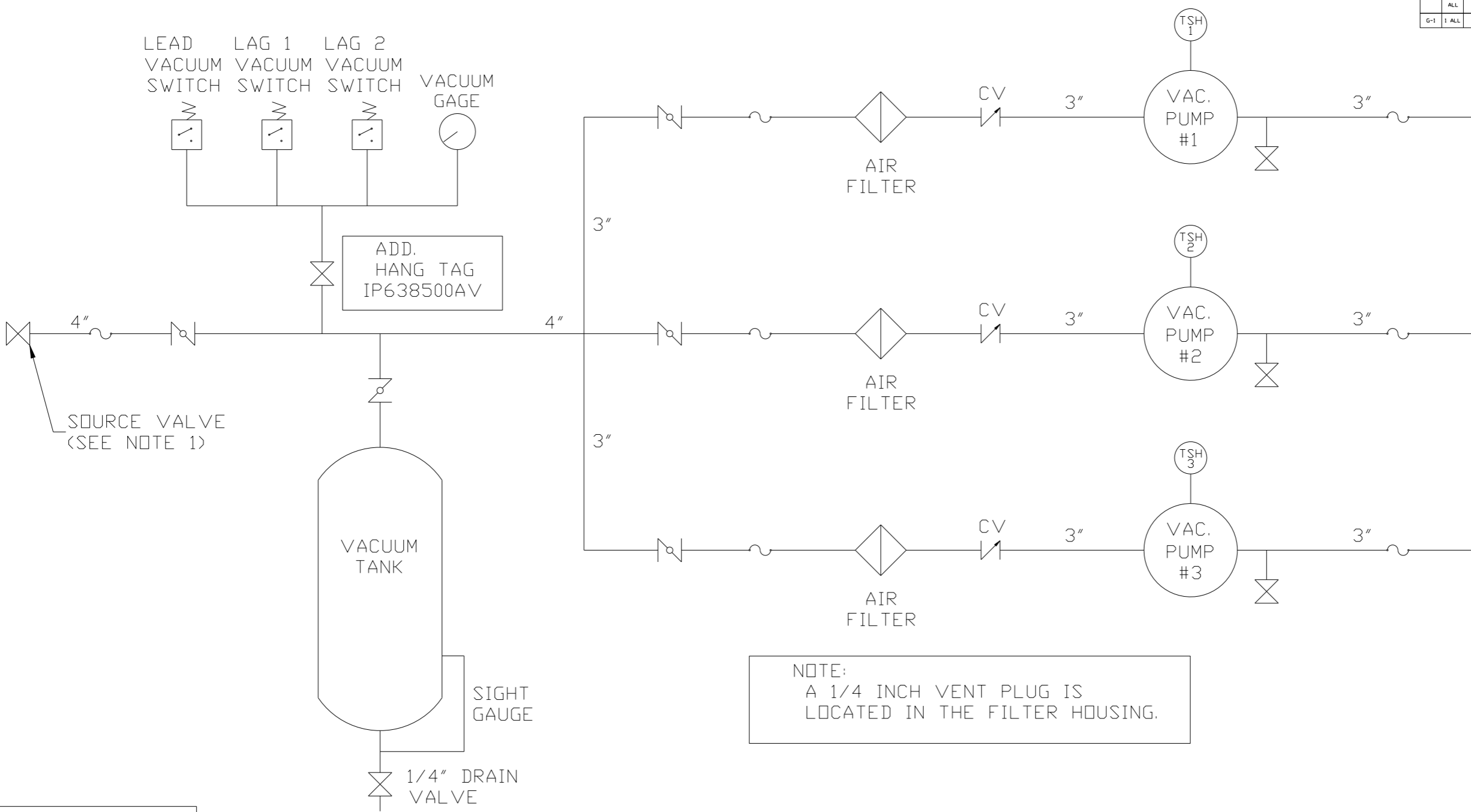
NOTE: SYSTEM DESIGNED IN COMPLIANCE WITH U.S. NFPA '99, LATEST EDITION.

SYMBOL LEGEND ⊖ = MINUS DRAFT ⊕ = PLUS DRAFT TOLERANCES NOT SPECIFIED .XX ± .XXX ± <<DEG>> ±		⊕ = ADDITIONAL CONTROL REQ'D HRC = BRINELL HARDNESS		Drawings to conform to the current revision of the following ANSI standards: Y14.3 Multi and sectional view dsgs. Y14.5M Dimensioning and tolerancing
AUTOCAD REL2008 LT INCH		DO NOT SCALE DRAWING FOR DIMENSIONS Sheet 1 of 4 SCALE 1:18		
CONFIDENTIAL DISCLOSURE This drawing is the property of POWEREX, INC. of the SCOTT FELTZER COMPANY and subject to return on demand. Its contents are confidential and must not be copied or submitted to outside parties for use or examination.		DRAWN BY AEK	CHECKED BY GES	APPROVED BY ENGINEERING DMS MFG/MKTG RJR
MATERIAL N/A		DATE 4/7/08	DATE 4/7/08	DATE 4/7/08
PART NAME 20HP VACUUM 200GAL TRIPLEX		 150 PRODUCTION DRIVE, HARRISON, OHIO 45030 Ph: 888-769-7979 FAX: (513) 367-3125		DWG NO VPT2005 SIZE D

8 7 6 5 4 3 2 1

VPT2005B.dwg

REV	ZONE	REVISION	DATE	ECN	NAME	CHKD
B-1	ALL	RELEASE TO PRODUCTION	4/7/08	21881	AEK	GES
B-2	ALL	REMOVED SIGHT GAUGE FROM FLOW SCHEMATIC MOUNTED PUMPS ON REDESIGNED FRAME	4/25/08	21881	AEK	GES
C-1	2 ALL	REMOVED LOW OIL LIGHT OPTION	8/15/08	21906	AEK	GES
D-1	1 ALL	REMOVED VACUUM SWITCHES FROM CONTROL PANEL	10/19/09	22127	AEK	GES
E-1	1 ALL 1 MATAB 2 BEZEL	CORRECTED INLET FLEX LENGTH ADDED SKID WIDTH DIMS ADDED DRIP LEG	10/5/10	22348	AEK	GES
F-1	ALL 2 BG 2 ALL ALL	CHANGED BALL VALVE/UNION TO BUTTERFLY VALVE ADDED SIGHT GAUGE ADDED SOURCE VALVE INFORMATION ADDED SHEETS 3 & 4 C.D.G. INFORMATION	9/2/17	PXEC0067	AEK	DMS
G-1	1 ALL	ADDED P&ID SHEETS	12/22/15	PXEC0093	AEK	GES



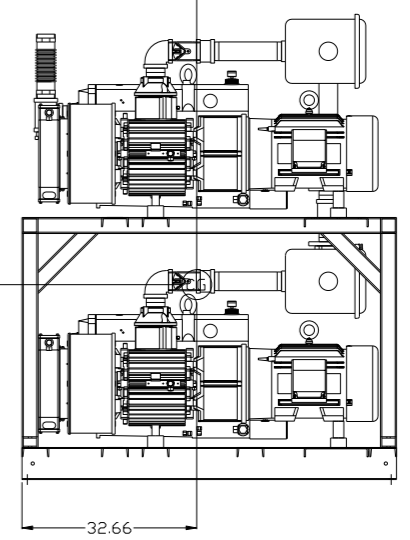
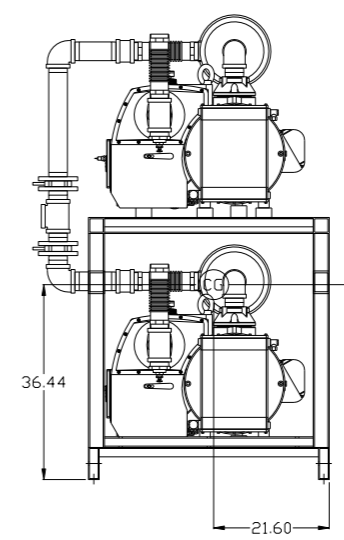
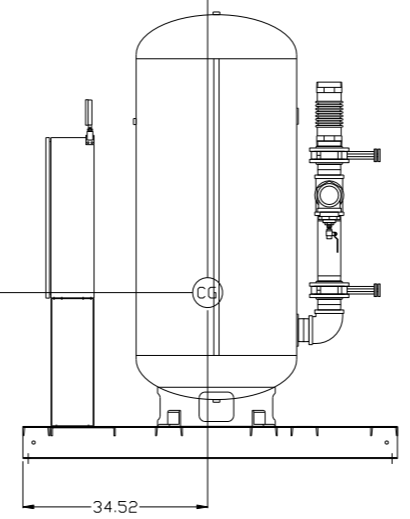
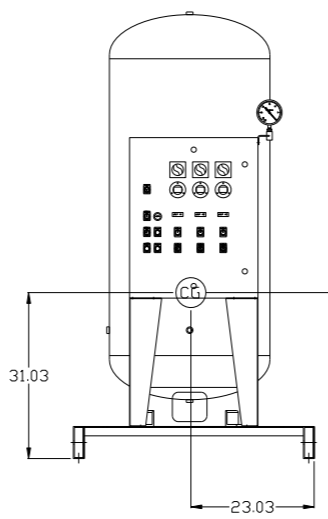
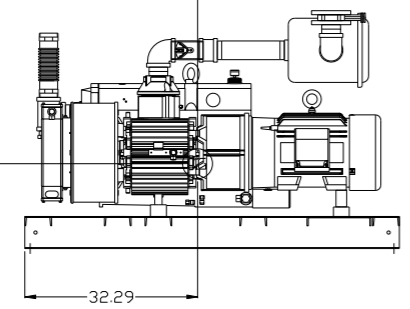
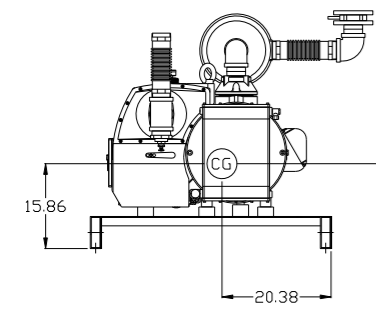
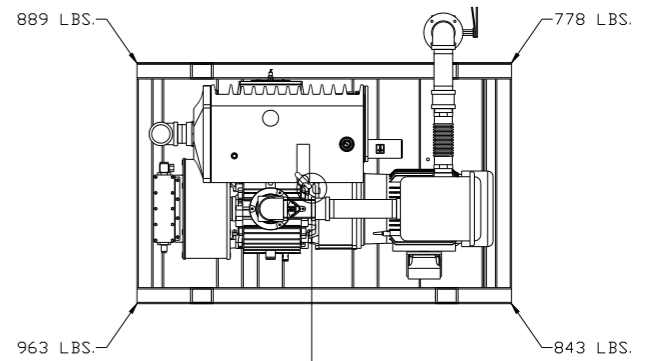
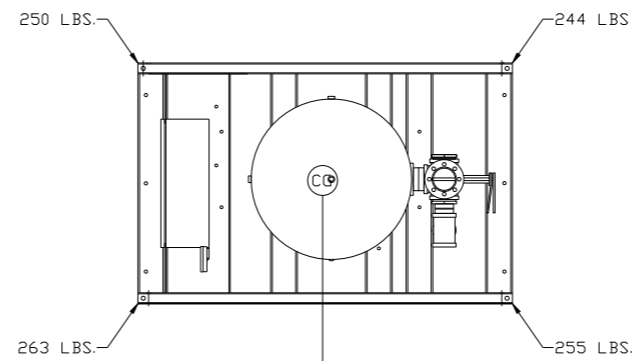
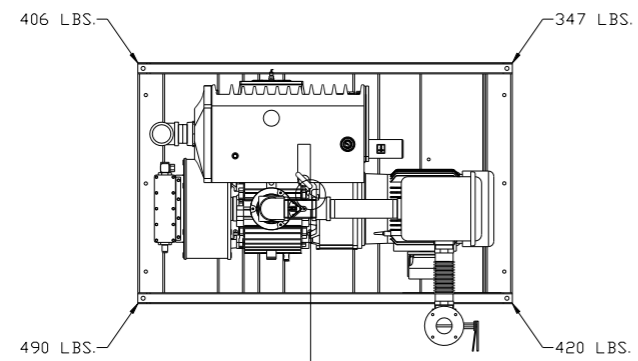
NOTE:
A 1/4 INCH VENT PLUG IS
LOCATED IN THE FILTER HOUSING.

LEGEND	
	TEMP. SWITCH
	VACUUM SWITCH
	AIR FILTER
	BALL VALVE
	BUTTERFLY VALVE
	CHECK VALVE
	FLEX LINE
	UNION

NOTES:
1) TSH - TEMPERATURE SWITCH HIGH
1) PER NFPA THE SYSTEM WILL REQUIRE A SOURCE VALVE (SUPPLIED BY OTHERS).

SYMBOL LEGEND			ADDITIONAL CONTROL REQ'D	Drawings to conform to the current revision of the following ANSI standards: Y14.3 Multi and sectional view dgs. Y14.5M Dimensioning and tolerancing
	MINUS DRAFT		BRINELL HARDNESS	
TOLERANCES NOT SPECIFIED		AUTOCAD REL2008 LT	DO NOT SCALE DRAWING FOR DIMENSIONS	
.XX ±	.XXX ±	<DEG> ±	INCH	SCALE 1:18
CONFIDENTIAL DISCLOSURE This drawing is the property of POWEREX, INC. of the SCOTT FETZER COMPANY and subject to return on demand. Its contents are confidential and must not be copied or submitted to outside parties for use or examination.		DRAWN BY AEK	CHECKED BY GES	APPROVED BY ENGINEERING MFG/MKTG DMS RJR
MATERIAL N/A		4/7/08	4/7/08	4/7/08 4/7/08
PART NAME VACUUM PACKAGE TRIPLEX FLOW SCHEMATIC				SIZE D
		DWG NO VPT2005		

REV	ZONE	REVISION	DATE	ECN	NAME	CHKD
F-1	ALL	CHANGED BALL VALVE/UNION TO BUTTERFLY VALVE				
	2	ADDED SIGHT GAUGE				
	2	ADDED SOURCE VALVE INFORMATION	9/2/17	PXEC0067	AEK	DMS
	ALL	ADDED SHEETS 3 & 4 (C.O.G. INFORMATION)				
G-1	1	ADDED PBM SHEETS	12/22/15	PXEC0093	AEK	GES



PUMP SKID #2:
 TOTAL WEIGHT: 1663 LBS
 C.O.G. DIMENSIONS
 X (FRONT): -20.38"
 Y (RIGHT): 32.29"
 Z (HEIGHT): 15.86"

PANEL/TANK SKID:
 TOTAL WEIGHT: 1012 LBS
 C.O.G. DIMENSIONS
 X (FRONT): -23.03"
 Y (RIGHT): 34.52"
 Z (HEIGHT): 31.03"

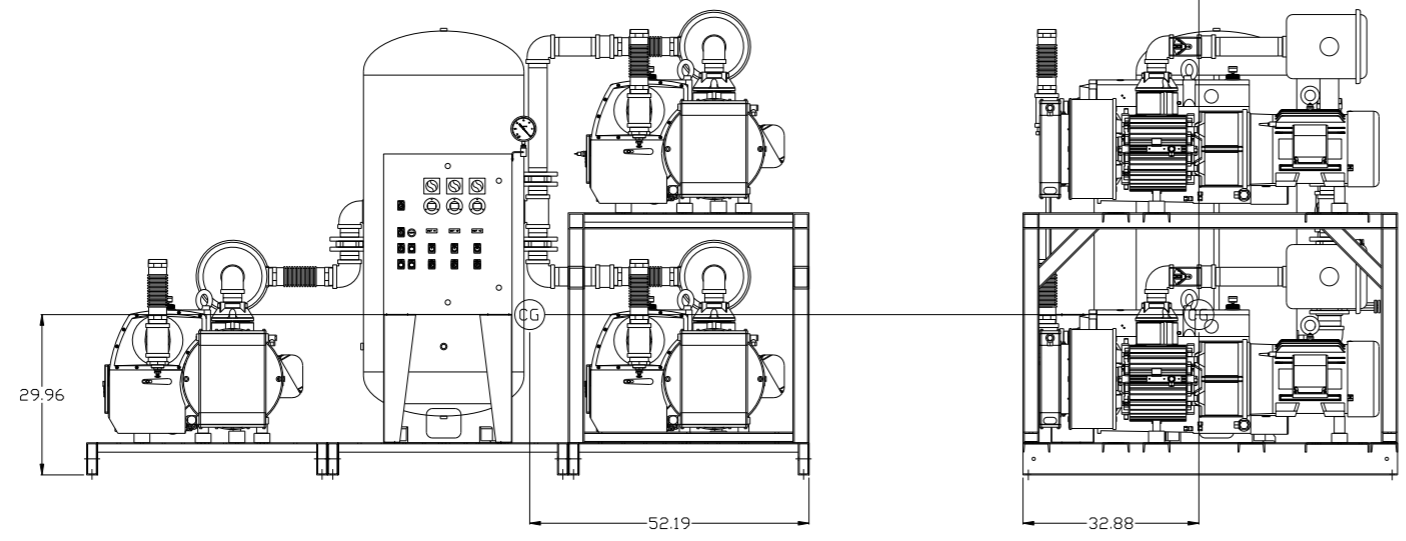
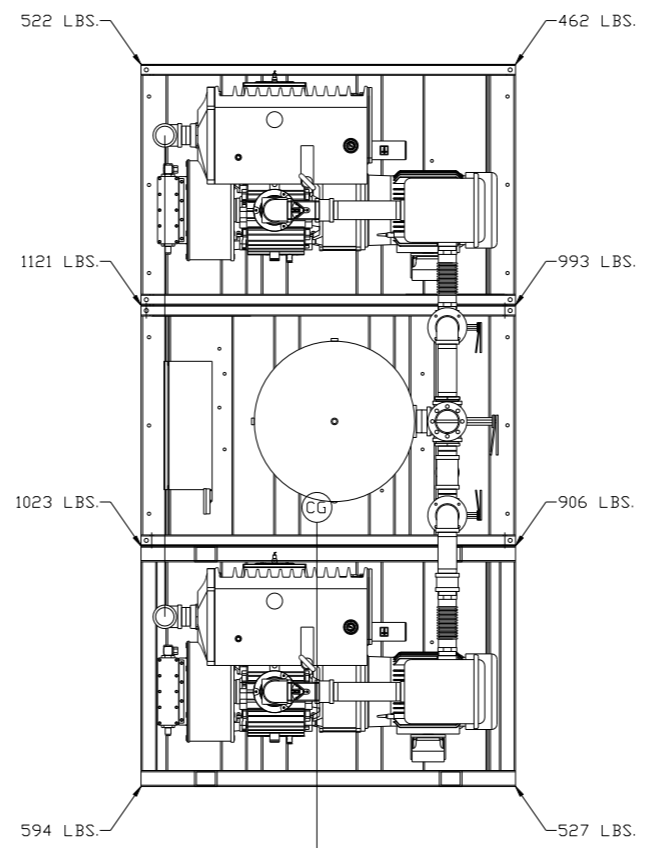
PUMP SKID #1:
 TOTAL WEIGHT: 3473 LBS
 C.O.G. DIMENSIONS
 X (FRONT): -21.60"
 Y (RIGHT): 32.29"
 Z (HEIGHT): 36.44"

denotes center of gravity (CG)

SYMBOL LEGEND ⊖ = MINUS DRAFT ⊕ = PLUS DRAFT HRC = BRINELL HARDNESS		= ADDITIONAL CONTROL REQ'D = BRINELL HARDNESS		Drawings to conform to the current revision of the following ANSI standards: Y14.3 Multi and sectional view dgs. Y14.5M Dimensioning and tolerancing
TOLERANCES NOT SPECIFIED .XX ± .XXX ± \angle (DEG) ±		AUTOCAD REL2014 LT INCH		DO NOT SCALE DRAWING FOR DIMENSIONS Sheet 3 of 4 SCALE 1:18
CONFIDENTIAL DISCLOSURE This drawing is the property of POWEREX, INC. of the SCOTT FETZER COMPANY and subject to return on demand. Its contents are confidential and must not be copied or submitted to outside parties for use or examination.				
DRAWN BY AEK		CHECKED BY DMS		APPROVED BY ENGINEERING MFG/MKTG DMS JJ
MATERIAL N/A		DATE 9/2/14		DATE 9/2/14 9/2/14 9/2/14
PART NAME 20HP VACUUM 200GAL TRIPLEX			POWEREX 150 PRODUCTION DRIVE, HARRISON, OHIO 45030 Ph 888-769-7979 FAX (513) 367-3125	
DWG NO VPT2005			SIZE D	

8 7 6 5 4 3 2 1

REV	ZONE	REVISION	DATE	ECN	NAME	CHKD
F-1	ALL 2 B6 2 ALL	CHANGED BALL VALVE/UNION TO BUTTERFLY VALVE ADDED SIGHT GAUGE ADDED SOURCE VALVE INFORMATION ADDED SHEETS 3 & 4 C.O.G. INFORMATION	9/2/17	PXEC0067	AEK	DMS
G-1	1 ALL	ADDED P&MI SHEETS	12/22/15	PXEC0093	AEK	GES



SYSTEM:
 TOTAL WEIGHT: 6148 LBS
 C.O.G. DIMENSIONS
 X (FRONT): -52.19"
 Y (RIGHT): 32.88"
 Z (HEIGHT): 29.96"

denotes center of gravity (CG)

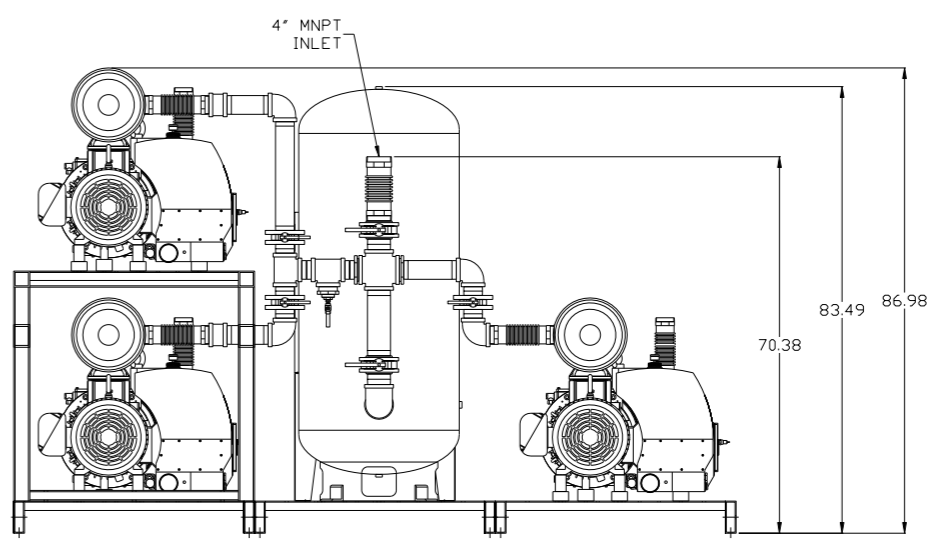
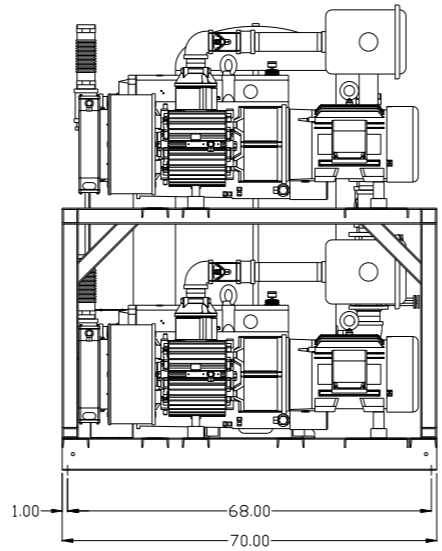
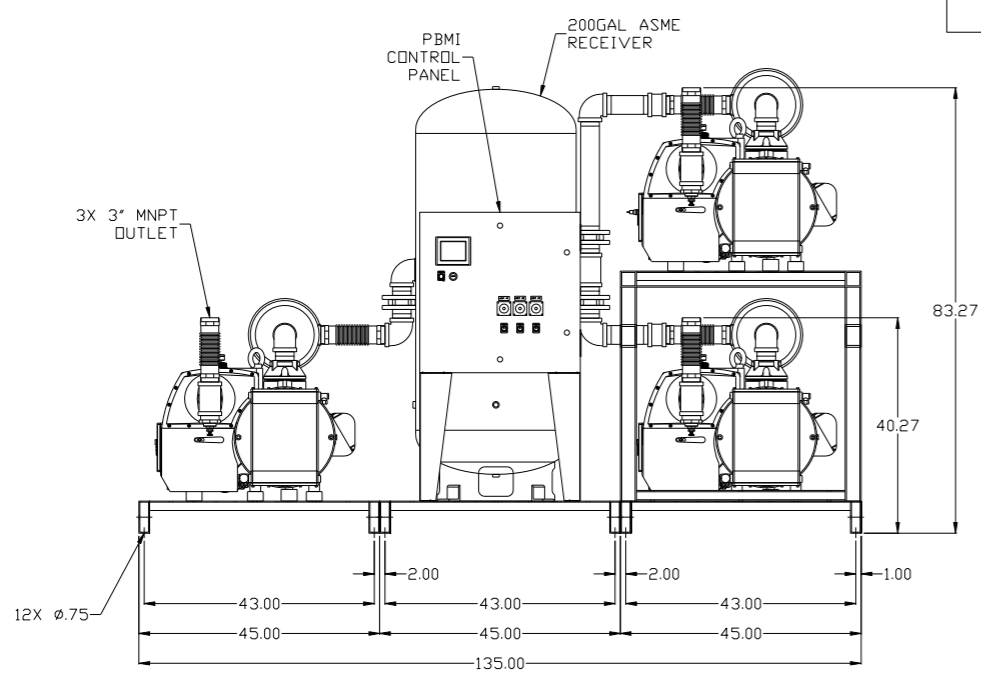
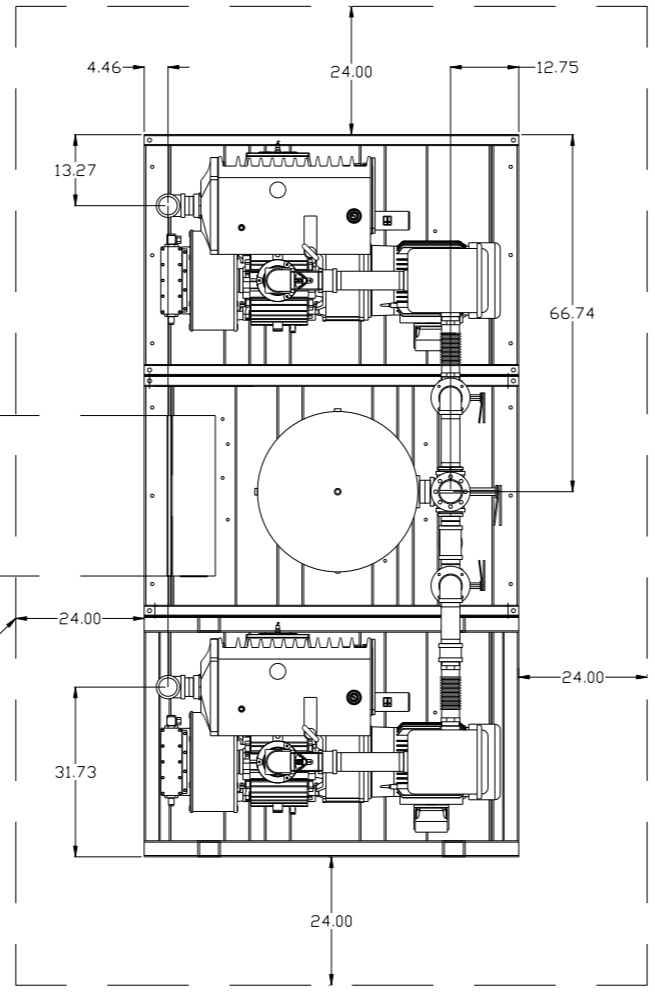
SYMBOL LEGEND ⊖ = MINUS DRAFT ⊕ = PLUS DRAFT ∇ = ADDITIONAL CONTROL REQ'D HRC = BRINELL HARDNESS		Drawings to conform to the current revision of the following ANSI standards: Y14.3 Multi and sectional view dgs. Y14.5M Dimensioning and tolerancing	
TOLERANCES NOT SPECIFIED .XX ± .XXX ± <<DEG> ±		AUTOCAD REL2014 LT INCH DO NOT SCALE DRAWING FOR DIMENSIONS Sheet 4 of 4 SCALE 1:18	
CONFIDENTIAL DISCLOSURE This drawing is the property of POWEREX, INC. of the SCOTT FEITZER COMPANY and subject to return on demand. Its contents are confidential and must not be copied or submitted to outside parties for use or examination.			
DRAWN BY AEK		CHECKED BY DMS	
9/2/14		APPROVED BY ENGINEERING MFG/MKTG DMS JJ 9/2/14 9/2/14	
MATERIAL N/A		PART NAME 20HP VACUUM 200GAL TRIPLEX	
DWG NO VPT2005		SIZE D	

8 7 6 5 4 3 2 1

REV	ZONE	REVISION	DATE	ECN	NAME	CHKD
G-1	ALL	ADDED PBMI SHEETS	12/22/15	PKEC0093	AEK	GES

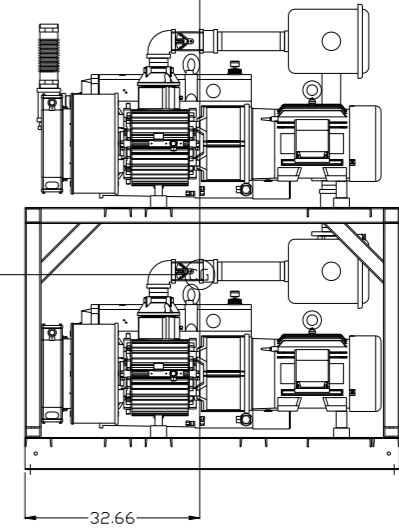
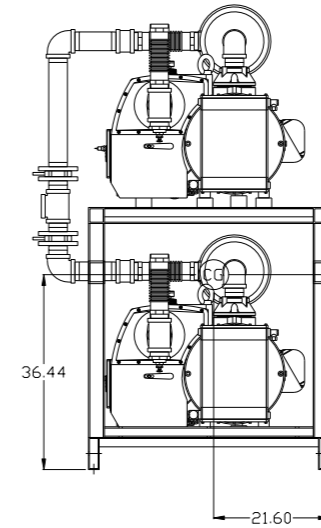
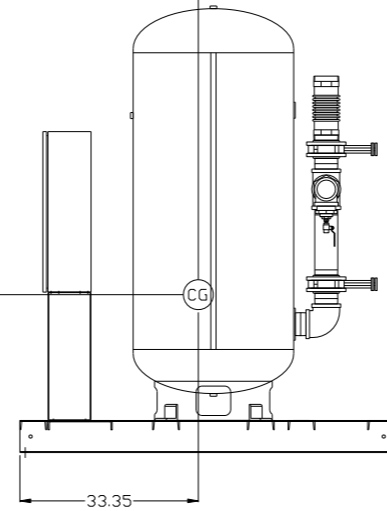
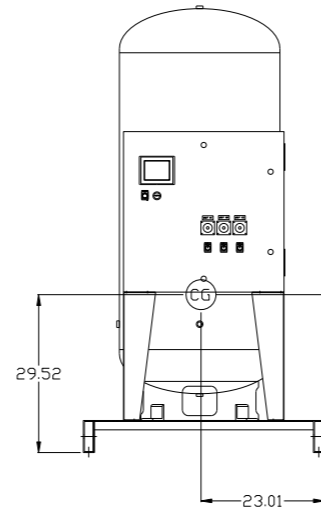
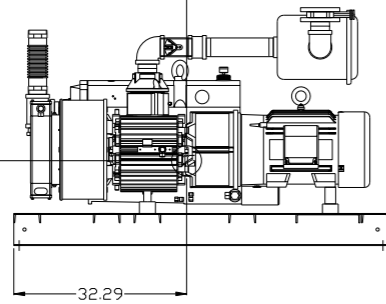
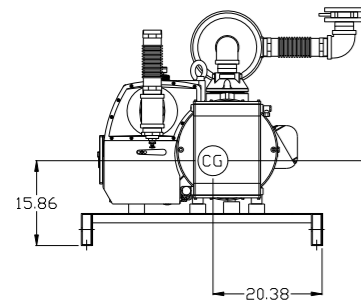
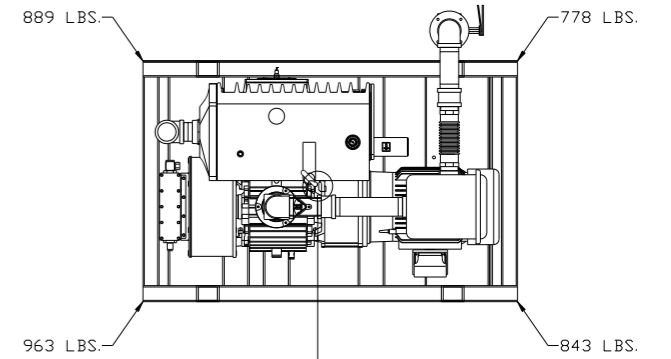
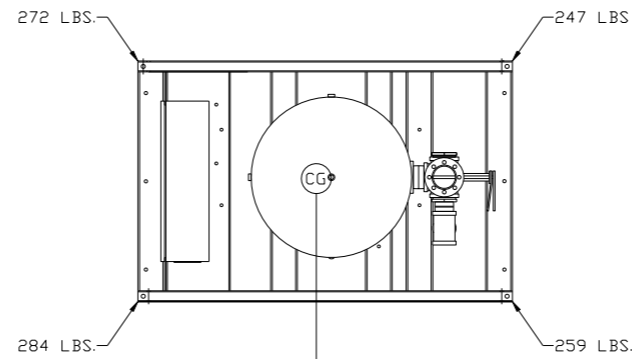
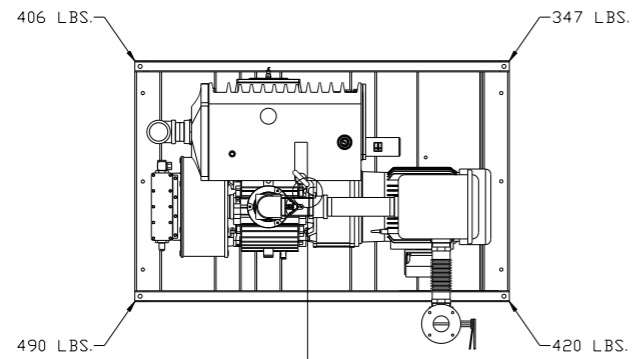
MINIMUM RECOMMENDED ELECTRICAL PANEL CLEARANCE PER OSHA/NEC REQUIREMENTS

MINIMUM RECOMMENDED MAINTENANCE CLEARANCE



SYMBOL LEGEND ⊖ = MINUS DRAFT ⊕ = PLUS DRAFT TOLERANCES NOT SPECIFIED .XX ± .XXX ± << DEG >> ±		= ADDITIONAL CONTROL REQ'D = BRINELL HARDNESS		Drawings to conform to the current revision of the following ANSI standards: Y14.3 Multi and sectional view dings Y14.5M Dimensioning and tolerancing	
AUTOCAD REL2014 LT INCH		DO NOT SCALE DRAWING FOR DIMENSIONS Sheet 1 of 4 SCALE 1:18		CONFIDENTIAL DISCLOSURE This drawing is the property of POWEREX, INC. of the SCOTT FELTZER COMPANY and subject to return on demand. Its contents are confidential and must not be copied or submitted to outside parties for use or examination.	
DRAWN BY AEK		CHECKED BY GES		APPROVED BY ENGINEERING MFG/MKTG KMD RJR	
MATERIAL N/A		DATE 12/22/15		DATE 12/22/15	
PART NAME 20HP VACUUM 200GAL TRIPLEX		DWG NO VPT2005		SIZE D	

REV	ZONE	REVISION	DATE	ECN	NAME	CHKD
G-1	1 ALL	ADDED PBM SHEETS	12/22/15	PXEC0093	AEK	GES



PUMP SKID #2:
 TOTAL WEIGHT: 1663 LBS
 C.O.G. DIMENSIONS
 X (FRONT): -20.38"
 Y (RIGHT): 32.29"
 Z (HEIGHT): 15.86"

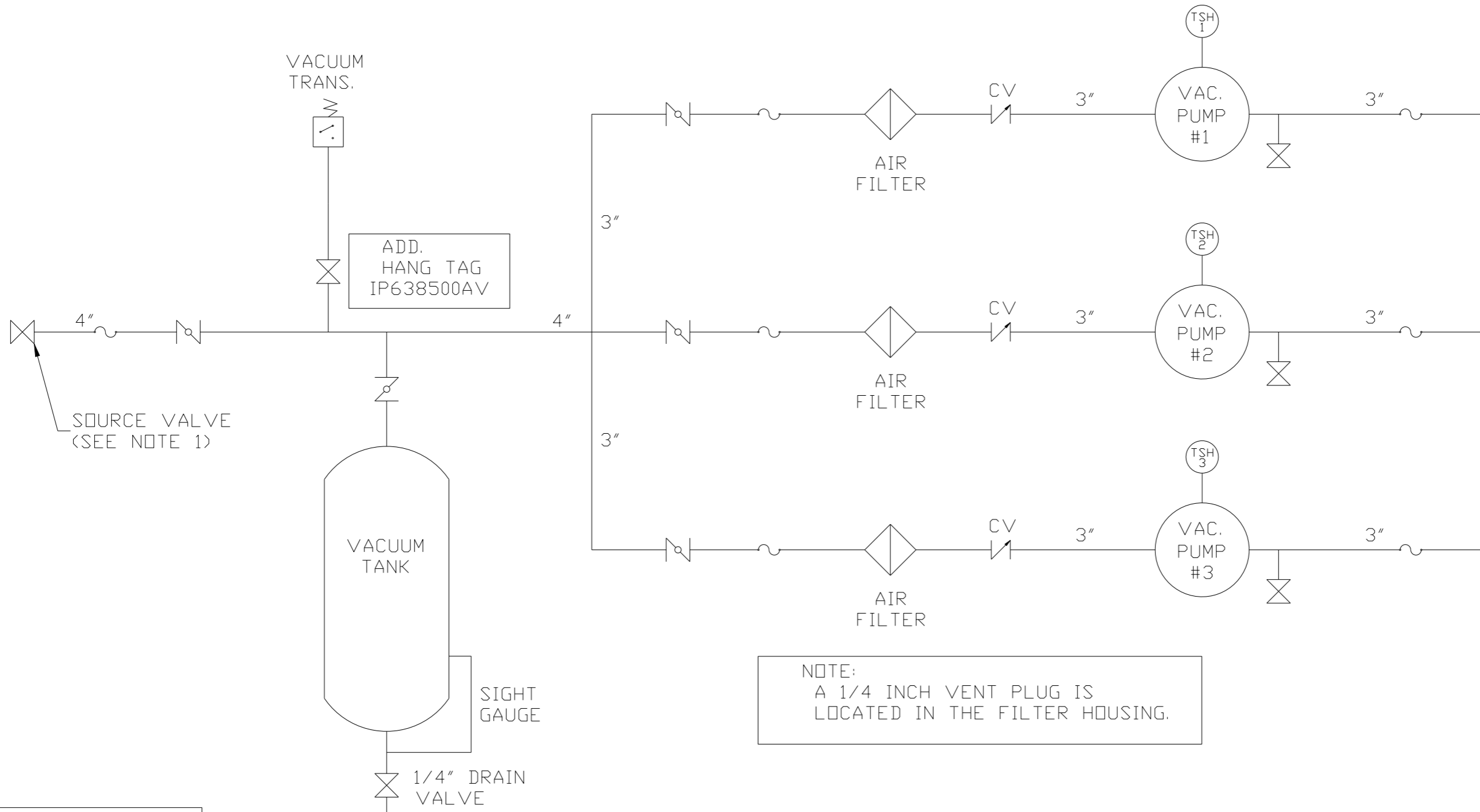
PANEL/TANK SKID:
 TOTAL WEIGHT: 1062 LBS
 C.O.G. DIMENSIONS
 X (FRONT): -23.01"
 Y (RIGHT): 33.35"
 Z (HEIGHT): 31.78"

PUMP SKID #1:
 TOTAL WEIGHT: 3473 LBS
 C.O.G. DIMENSIONS
 X (FRONT): -21.60"
 Y (RIGHT): 32.29"
 Z (HEIGHT): 36.44"

denotes center of gravity (CG)

SYMBOL LEGEND ⊖ = MINUS DRAFT ⊕ = PLUS DRAFT TOLERANCES NOT SPECIFIED .XX ± .XXX ± \angle (DEG) ±		= ADDITIONAL CONTROL REQ'D = BRINELL HARDNESS		Drawings to conform to the current revision of the following ANSI standards: Y14.3 Multi and sectional view dgs. Y14.5M Dimensioning and tolerancing
AUTOCAD REL2014 LT INCH		DO NOT SCALE DRAWING FOR DIMENSIONS Sheet 3 of 4 SCALE 1:18		
CONFIDENTIAL DISCLOSURE This drawing is the property of POWEREX, INC. of the SCOTT FETZER COMPANY and subject to return on demand. Its contents are confidential and must not be copied or submitted to outside parties for use or examination.				
DRAWN BY: AEK 12/22/15		CHECKED BY: GES 12/22/15		
APPROVED BY: KMD 12/22/15		APPROVED BY: RJR 12/22/15		
MATERIAL: N/A PART NAME: 20HP VACUUM 200GAL TRIPLEX		 150 PRODUCTION DRIVE, HARRISON, OHIO 45030 Ph: 888-769-7979 FAX: (513) 367-3125		
DWG NO: VPT2005		SIZE: D		

REV	ZONE	REVISION	DATE	ECN	NAME	CHKD
G-1	1 ALL	ADDED PBM SHEETS	12/22/15	PXEC0093	AEK	GES



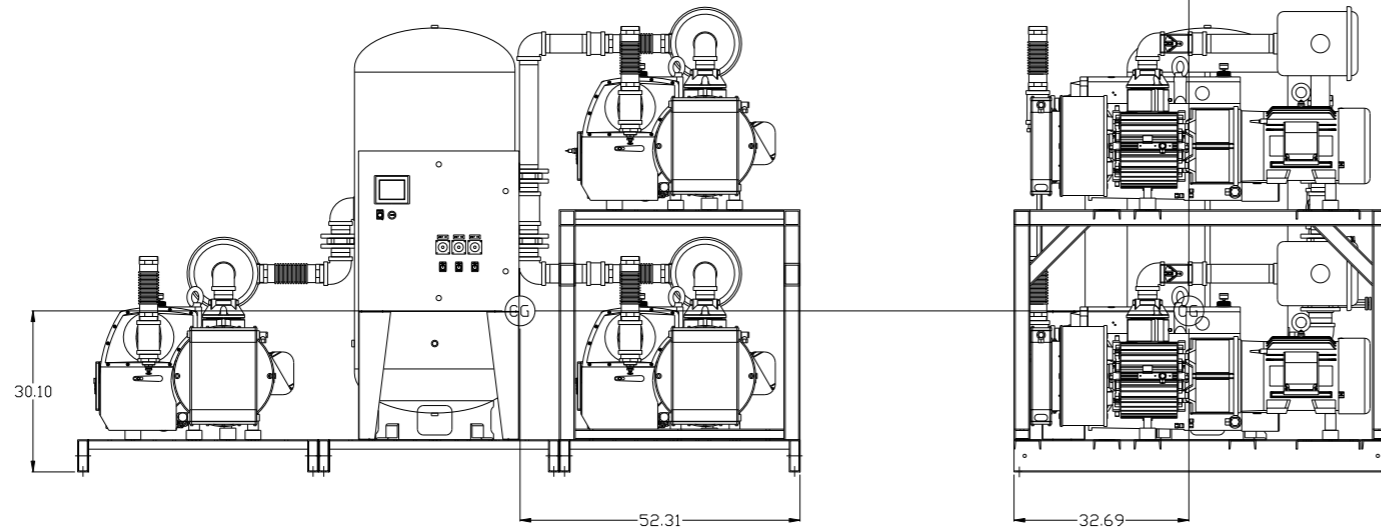
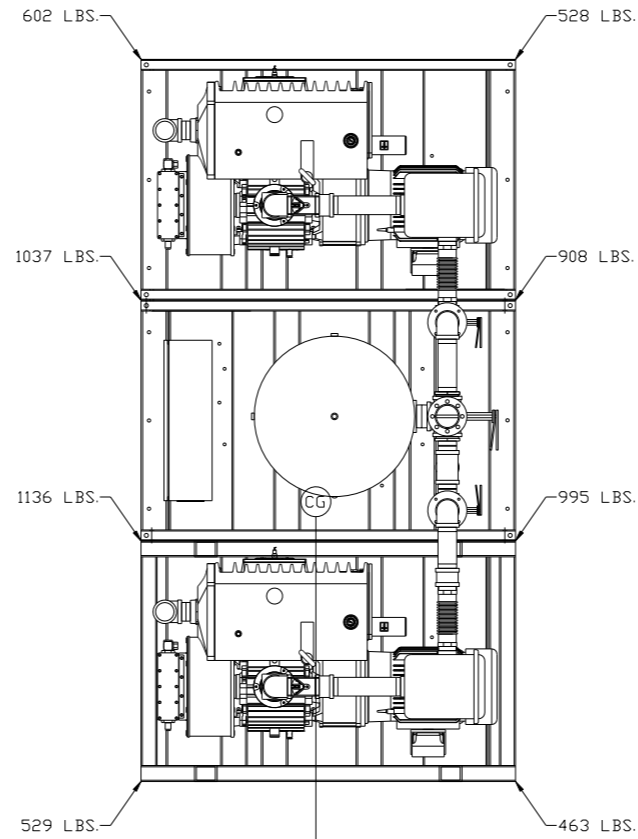
NOTE:
A 1/4 INCH VENT PLUG IS
LOCATED IN THE FILTER HOUSING.

LEGEND	
	TEMP. SWITCH
	AIR FILTER
	BALL VALVE
	BUTTERFLY VALVE
	VACUUM SWITCH
	CHECK VALVE
	FLEX LINE
	UNION

NOTES:
1) TSH - TEMPERATURE SWITCH HIGH
1) PER NFPA THE SYSTEM WILL REQUIRE A SOURCE VALVE (SUPPLIED BY OTHERS).

SYMBOL LEGEND ⊖ = MINUS DRAFT ⊕ = PLUS DRAFT ⊕ = BRINELL HARDNESS		Drawings to conform to the current revision of the following ANSI standards: Y14.3 Multi and sectional view dgs. Y14.5M Dimensioning and tolerancing	
TOLERANCES NOT SPECIFIED .XX ± .XXX ± \angle (DEG.) ±		DO NOT SCALE DRAWING FOR DIMENSIONS AUTOCAD REL2014 LT INCH Sheet 2 of 4 SCALE 1:18	
CONFIDENTIAL DISCLOSURE This drawing is the property of POWEREX, INC. of the SCOTT FETZER COMPANY and subject to return on demand. Its contents are confidential and must not be copied or submitted to outside parties for use or examination.			
DRAWN BY AEK		CHECKED BY GES	
12/22/15		APPROVED BY KMD 12/22/15	
MATERIAL N/A		POWEREX 150 PRODUCTION DRIVE, HARRISON, OHIO 45030 Ph: 888-769-7979 FAX: (513) 367-3125	
PART NAME VACUUM PACKAGE TRIPLEX FLOW SCHEMATIC		DWG NO VPT2005 SIZE D	

REV	ZONE	REVISION	DATE	ECN	NAME	CHKD
G-1	1 ALL	ADDED PBM SHEETS	12/22/15	PXEC0093	AEK	GES



SYSTEM:
 TOTAL WEIGHT: 6198 LBS
 C.O.G. DIMENSIONS
 X (FRONT): -52.31"
 Y (RIGHT): 32.69"
 Z (HEIGHT): 30.10"

denotes center of gravity (CG)

SYMBOL LEGEND ⊖ = MINUS DRAFT ⊕ = PLUS DRAFT TOLERANCES NOT SPECIFIED .XX ± .XXX ± \angle (DEG) ±		= ADDITIONAL CONTROL REQ'D = BRINELL HARDNESS		Drawings to conform to the current revision of the following ANSI standards: Y14.3 Multi and sectional view dgs. Y14.5M Dimensioning and tolerancing
AUTOCAD REL2014 LT INCH		DO NOT SCALE DRAWING FOR DIMENSIONS Sheet 4 of 4 SCALE 1:18		
CONFIDENTIAL DISCLOSURE This drawing is the property of POWEREX, INC. or the SCOTT FEITZER COMPANY and subject to return on demand. Its contents are confidential and must not be copied or submitted to outside parties for use or examination.				
DRAWN BY AEK		CHECKED BY GES		
12/22/15		APPROVED BY ENGINEERING MFG/MKTG KMD RJR 12/22/15 12/22/15 12/22/15 12/22/15		
MATERIAL N/A		PART NAME 20HP VACUUM 200GAL TRIPLEX		
DWG NO VPT2005		SIZE D		