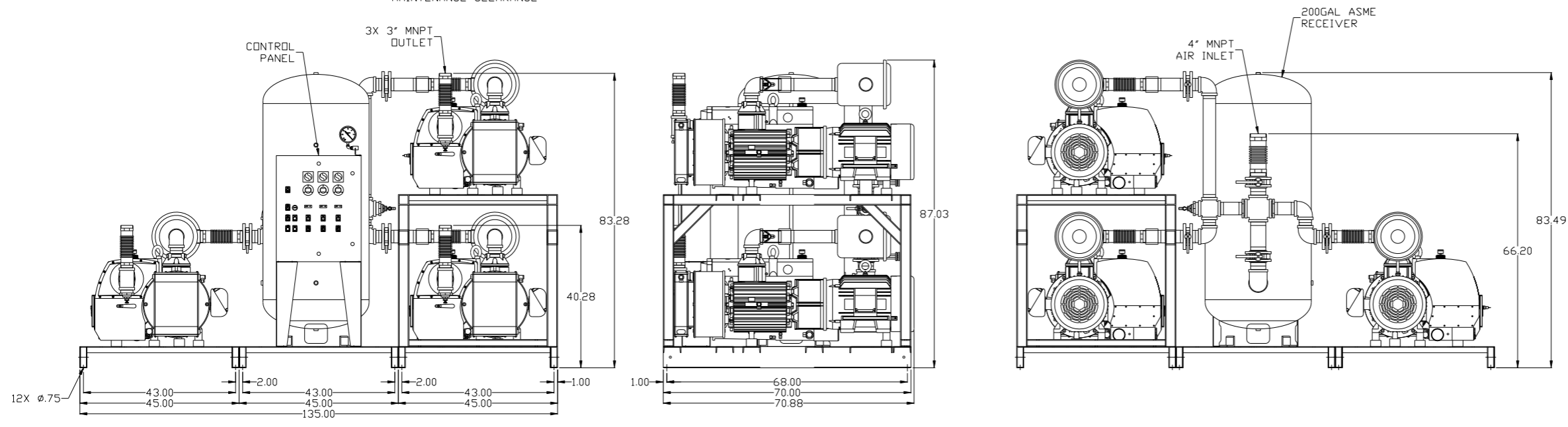


8 7 6 5 4 3 2 1

REV	ZONE	REVISION	DATE	ECN	NAME	CHKD
B-1	ALL	RELEASE TO PRODUCTION	3/26/08	21881	AEK	GES
C-1	1 ALL	REMOVED VACUUM SWITCHES FROM CONTROL PANEL	10/22/09	22127	AEK	GES
D-1	1 ALL 2 B6 2 B22.2	CORRECTED INLET FLEX LENGTH ADDED SKID WIDTH DIMS ADDED DRIP LEG	10/5/10	22348	AEK	GES
E-1	2 ALL 2 B6 ALL	ADDED SOURCE VALVE INFORMATION MADE HIGH TEMP STANDARD ON BASIC CONTROLS ADDED SIGHT GAUGE CHANGED BALL VALVE/ONION TO BUTTERFLY VALVE ADDED P&ID SHEETS	11/4/15	PXEC0091	AEK	GES

MINIMUM RECOMMENDED ELECTRICAL PANEL CLEARANCE PER OSHA/NEC REQUIREMENTS

MINIMUM RECOMMENDED MAINTENANCE CLEARANCE



SYMBOL LEGEND

- ⊖ = MINUS DRAFT
- ⊕ = PLUS DRAFT
- ⊕ = ADDITIONAL CONTROL REQ'D
- ⊕ = BRINELL HARDNESS

Drawings to conform to the current revision of the following ANSI standards:
Y14.3 Multi and sectional view dsgs.
Y14.5M Dimensioning and tolerancing

TOLERANCES NOT SPECIFIED: .XX ±, .XXX ±, \angle (DEG) ±

AUTOCAD REL2008 LT

DO NOT SCALE DRAWING FOR DIMENSIONS

Sheet 1 of 2 SCALE 1:18

CONFIDENTIAL DISCLOSURE
This drawing is the property of POWEREX, INC. of the SCOTT FELTZER COMPANY and subject to return on demand. Its contents are confidential and must not be copied or submitted to outside parties for use or examination.

DRAWN BY	CHECKED BY	APPROVED BY	MFG/MKTG
AEK	GES	DMS	RJR
3/26/08	3/26/08	3/26/08	3/26/08

MATERIAL: N/A

PART NAME: 25HP VACUUM PKG 200GAL TRIPLEX

DWG NO: VPT2505

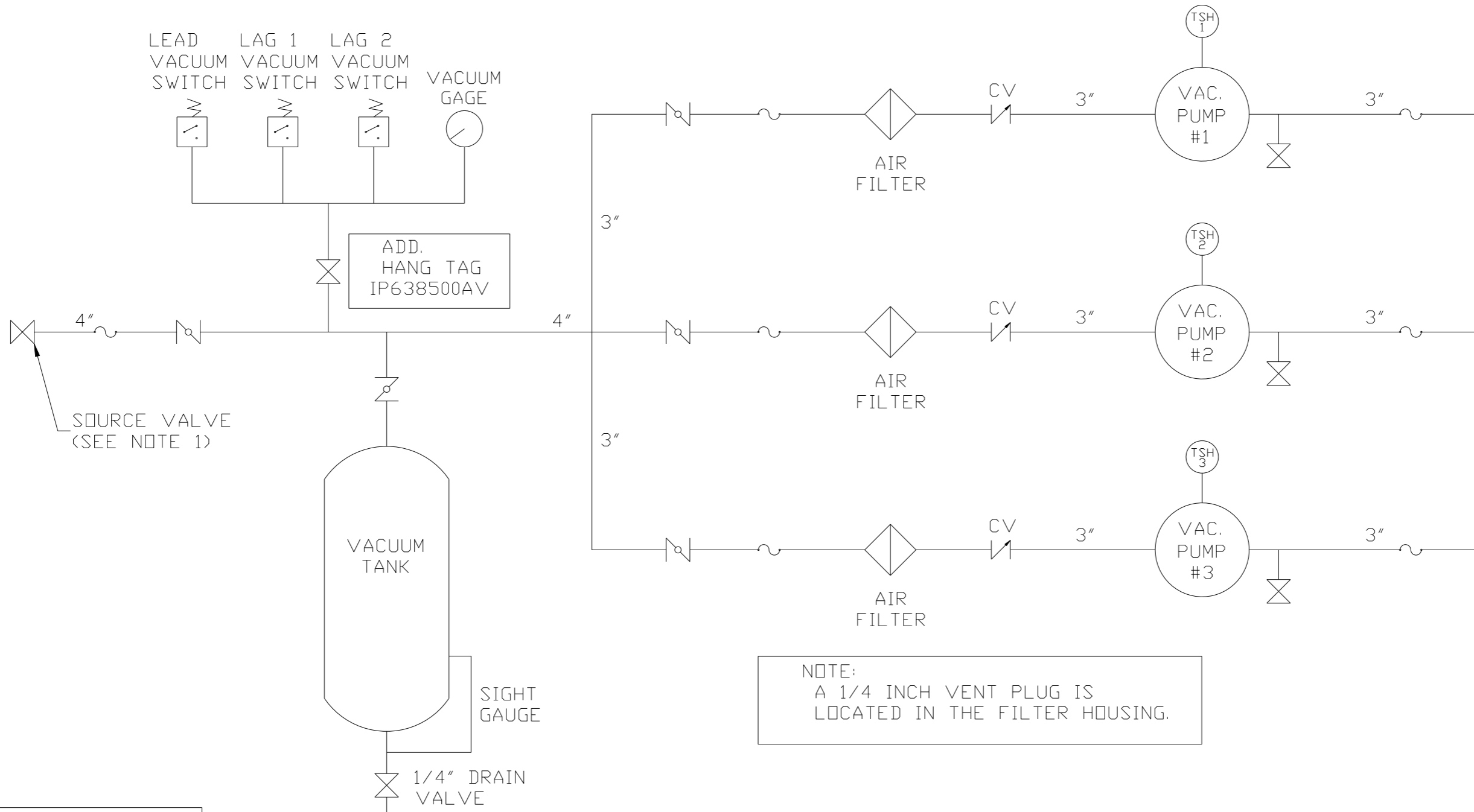
SIZE: D

POWEREX
150 PRODUCTION DRIVE, HARRISON, OHIO 45030
Ph: 888-769-7979 FAX: (513) 367-3125

VPT2505B.dwg

8 7 6 5 4 3 2 1

REV	ZONE	REVISION	DATE	ECN	NAME	CHKD
B-1	ALL	RELEASE TO PRODUCTION	3/26/08	21881	AEK	GES
C-1	1 ALL	REMOVED VACUUM SWITCHES FROM CONTROL PANEL	10/22/09	22127	AEK	GES
D-1	1 ALL 2 B6 3 B6 4 B6	CORRECTED INLET FLEX LENGTH ADDED SKID WIDTH DIMS ADDED DRIP LEG	10/5/10	22348	AEK	GES
E-1	2 ALL 3 ALL 4 ALL	ADDED SOURCE VALVE INFORMATION MADE HIGH TEMP STANDARD ON BASIC CONTROLS ADDED SIGHT GAUGE CHANGED BALL VALVE/UNION TO BUTTERFLY VALVE ADDED P&MI SHEETS	11/4/15	PXEC0091	AEK	GES



NOTE:
A 1/4 INCH VENT PLUG IS
LOCATED IN THE FILTER HOUSING.

NOTES:
1) TSH - TEMPERATURE SWITCH HIGH
1) PER NFPA THE SYSTEM WILL REQUIRE A SOURCE VALVE (SUPPLIED BY OTHERS).

LEGEND	
	TEMP. SWITCH
	VACUUM SWITCH
	AIR FILTER
	BALL VALVE
	BUTTERFLY VALVE
	CHECK VALVE
	FLEX LINE
	UNION

SYMBOL LEGEND		AUTOCAD REL2008 LT		DO NOT SCALE DRAWING FOR DIMENSIONS	
	MINUS DRAFT			Sheet 2 of 2	
	PLUS DRAFT	INCH		SCALE 1:18	
<small>CONFIDENTIAL DISCLOSURE This drawing is the property of POWEREX, INC. of the SCOTT FETZER COMPANY and subject to return on demand. Its contents are confidential and must not be copied or submitted to outside parties for use or examination.</small>		DRAWN BY	CHECKED BY	APPROVED BY	DATE
		AEK	GES	DMS	RJR
		3/26/08	3/26/08	3/26/08	3/26/08
MATERIAL		N/A			
PART NAME		TRIPLEX VAC PACKAGE			
FLOW SCHEMATIC		DVG NO VPT2505			
		SIZE D			

REV	ZONE	REVISION	DATE	ECN	NAME	CHKD
2	ALL	ADDED SOURCE VALVE INFORMATION				
1	ALL	MADE HIGH TEMP STANDARD ON BASIC CONTROLS				
E-1	B6	ADDED SIGHT GAUGE	11/4/15	PXEC0091	AEK	GES
	ALL	CHANGED BALL VALVE/UNION TO BUTTERFLY VALVE				
	ALL	ADDED PBMI SHEETS				

MINIMUM RECOMMENDED ELECTRICAL PANEL CLEARANCE PER OSHA/NEC REQUIREMENTS

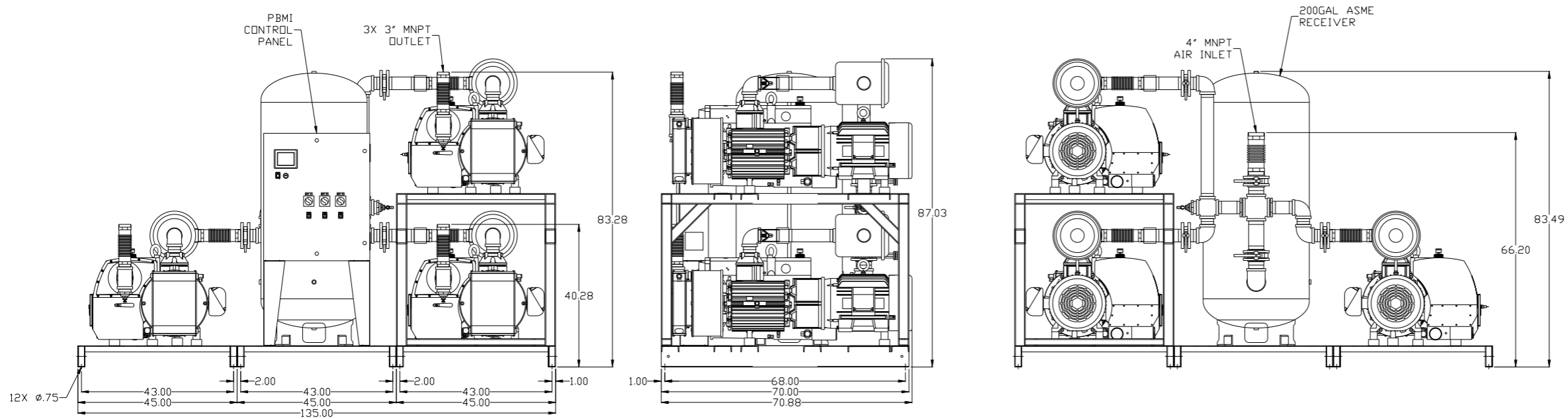
MINIMUM RECOMMENDED MAINTENANCE CLEARANCE

PBMI CONTROL PANEL

3X 3" MNPT OUTLET

200GAL ASME RECEIVER

4" MNPT AIR INLET



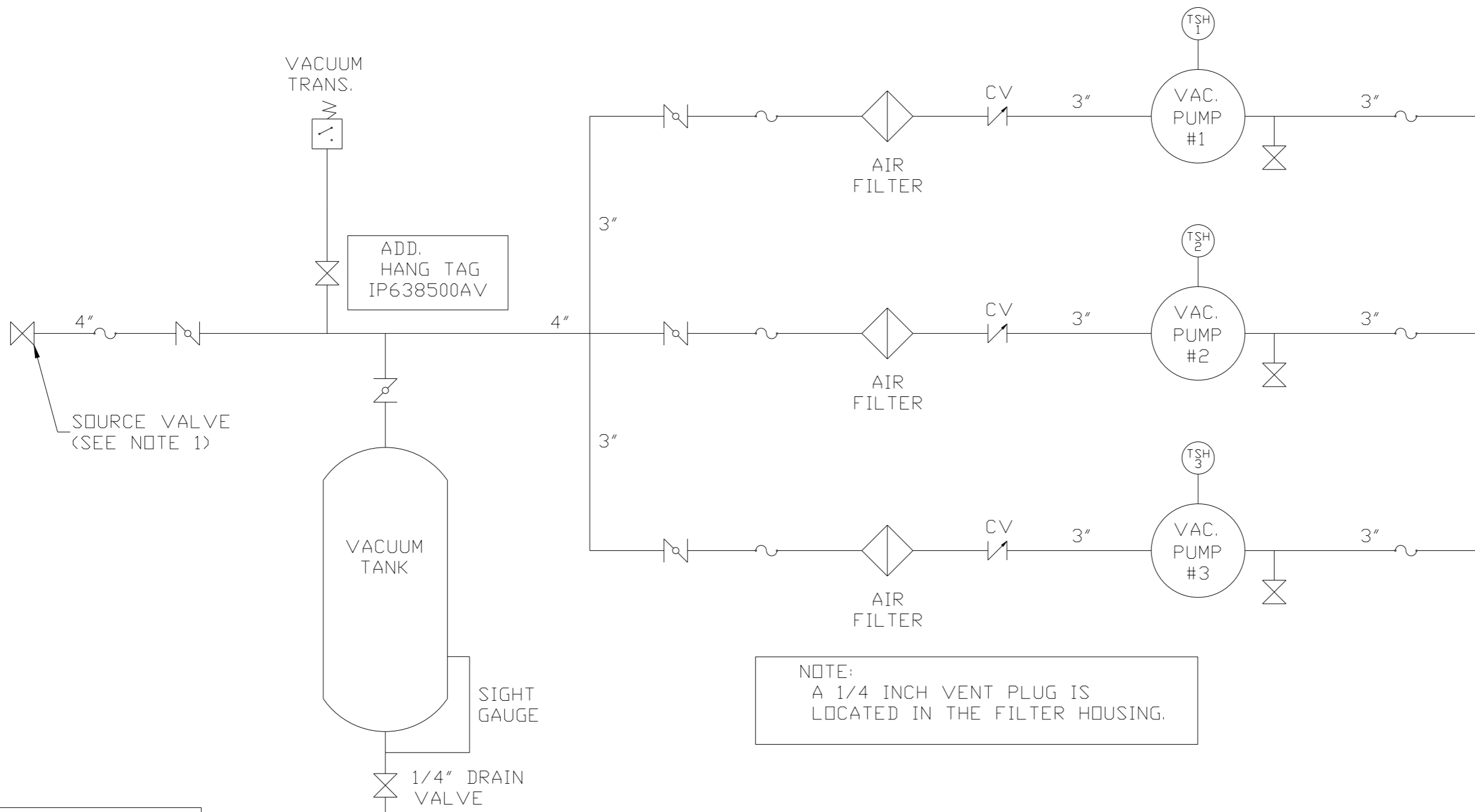
SYMBOL LEGEND ⊖ = MINUS DRAFT ⊕ = PLUS DRAFT .XX ± .XXX ± \angle DEG ±	= ADDITIONAL CONTROL REQ'D = BRINELL HARDNESS	Drawings to conform to the current revision of the following ANSI standards: Y14.3 Multi and sectional view dsgs. Y14.5M Dimensioning and tolerancing
--	--	---

TOLERANCES NOT SPECIFIED	AUTOCAD REL2014 LT	DO NOT SCALE DRAWING FOR DIMENSIONS
	INCH	Sheet 1 of 2
		SCALE 1:18

CONFIDENTIAL DISCLOSURE This drawing is the property of POWEREX, INC. of the SCOTT FETZER COMPANY and subject to return on demand. Its contents are confidential and must not be copied or submitted to outside parties for use or examination.			
DRAWN BY	CHECKED BY	APPROVED BY	
AEK	GES	KMD	RJR
11/4/15	11/4/15	11/4/15	11/4/15

MATERIAL	N/A	 150 PRODUCTION DRIVE, HARRISON, OHIO 45030 Ph 888-769-7979 FAX (513) 367-3125
PART NAME	25HP VACUUM PKG 200GAL TRIPLEX	
DWG NO	VPT2505	SIZE D

REV	ZONE	REVISION	DATE	ECN	NAME	CHKD
2	ALL	ADDED SOURCE VALVE INFORMATION				
1	ALL	MADE HIGH TEMP STANDARD DN BASIC CONTROLS				
E-1	2 B6	ADDED SIGHT GAUGE	11/4/15	PXEC0091	AEK	GES
	ALL	CHANGED BALL VALVE/UNION TO BUTTERFLY VALVE				
	ALL	ADDED P&ID SHEETS				



NOTE:
A 1/4 INCH VENT PLUG IS
LOCATED IN THE FILTER HOUSING.

LEGEND	
	TEMP. SWITCH
	AIR FILTER
	BALL VALVE
	BUTTERFLY VALVE
	VACUUM SWITCH
	CHECK VALVE
	FLEX LINE
	UNION

NOTES:
1) TSH - TEMPERATURE SWITCH HIGH
1) PER NFPA THE SYSTEM WILL REQUIRE A SOURCE VALVE (SUPPLIED BY OTHERS).

SYMBOL LEGEND			= ADDITIONAL CONTROL REQ'D		Drawings to conform to the current revision of the following ANSI standards: Y14.3 Multi and sectional view dgs. Y14.5M Dimensioning and tolerancing
	= MINUS DRAFT		= BRINELL HARDNESS		
TOLERANCES NOT SPECIFIED		AUTOCAD REL2014 LT	DO NOT SCALE DRAWING FOR DIMENSIONS		
.XX ±		INCH	Sheet 2 of 2	SCALE	1:18
CONFIDENTIAL DISCLOSURE This drawing is the property of POWEREX, INC. of the SCOTT FELTZER COMPANY and subject to return on demand. Its contents are confidential and must not be copied or submitted to outside parties for use or examination.					
DRAWN BY	CHECKED BY	ENGINEERING	APPROVED BY	MFG/MKTG	
AEK	GES	KMD	RJR		
11/4/15	11/4/15	11/4/15	11/4/15		
MATERIAL		N/A			
PART NAME		TRIPLEX VAC PACKAGE			
FLOW SCHEMATIC		DWG NO VPT2505			
		SIZE D			