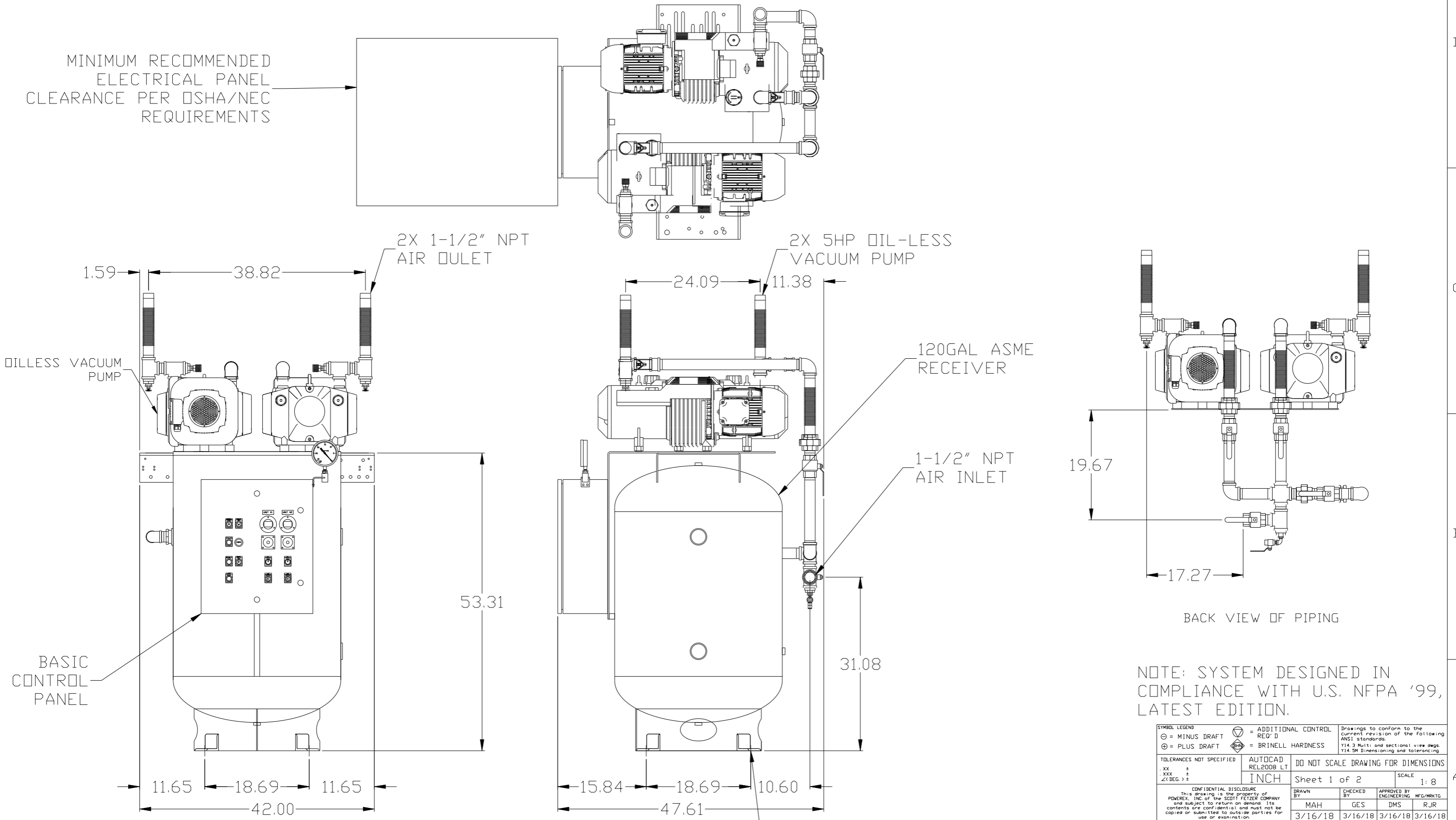


REV	ZONE	REVISION	DATE	ECN	NAME	CHKD
B-1	ALL	RELEASE TO PRODUCTION	3/16/18	PKC020	MAH	GES

MINIMUM RECOMMENDED ELECTRICAL PANEL CLEARANCE PER OSHA/NEC REQUIREMENTS



BASIC CONTROL PANEL

2X 1-1/2" NPT AIR OULET

2X 5HP OIL-LESS VACUUM PUMP

120GAL ASME RECEIVER

1-1/2" NPT AIR INLET

BACK VIEW OF PIPING

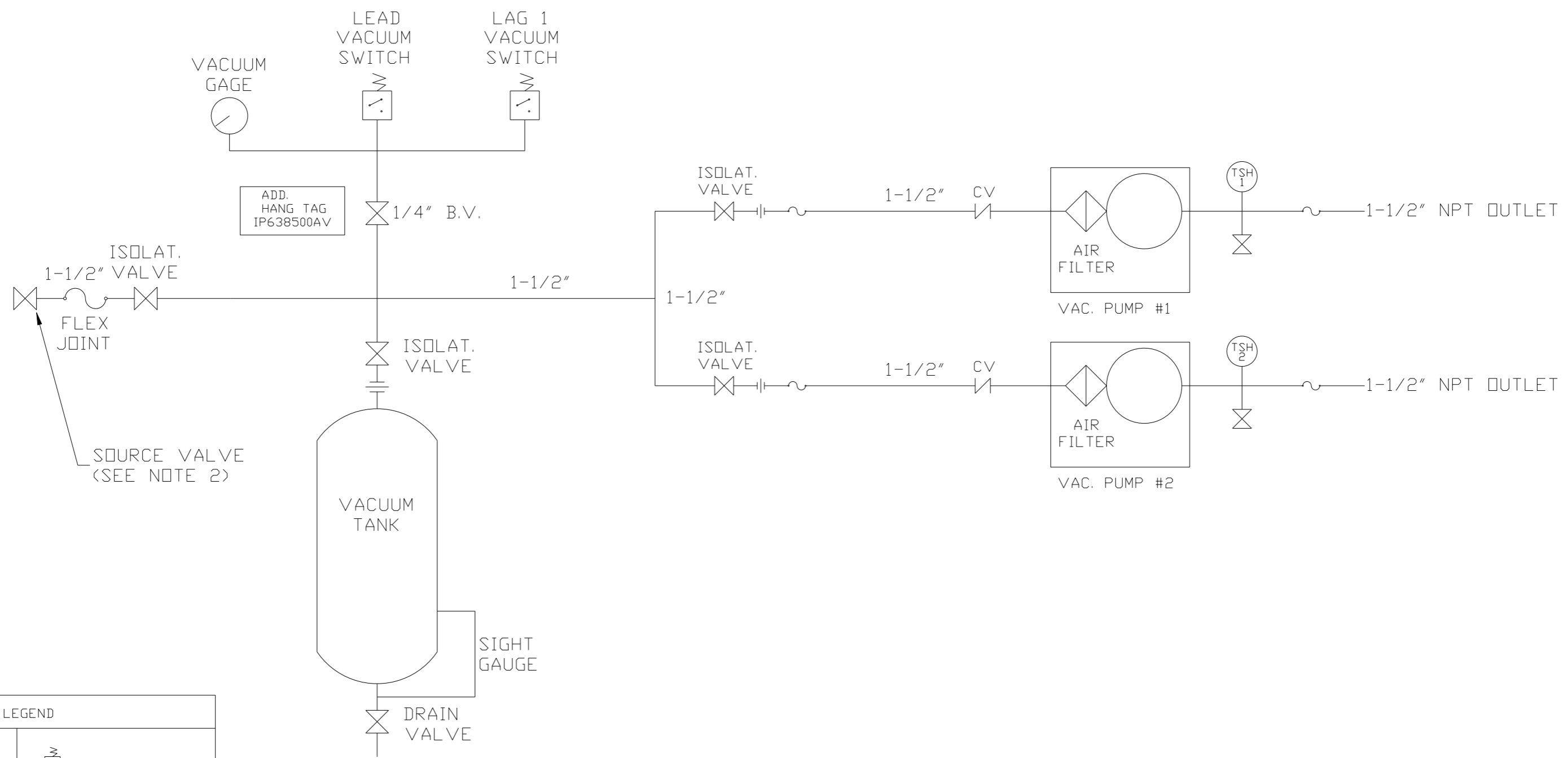
NOTE: SYSTEM DESIGNED IN COMPLIANCE WITH U.S. NFPA '99, LATEST EDITION.

NOTE: A MINIMUM OF 24" CLEARANCE IS RECOMMENDED AROUND THE ENTIRE UNIT.

APPROXIMATE WEIGHT: 1200 LBS.

<b>SYMBOL LEGEND</b> ⊖ = MINUS DRAFT ⊕ = PLUS DRAFT ∅ = ADDITIONAL CONTROL REQ'D HB = BRINELL HARDNESS		Drawings to conform to the current revision of the following ANSI standards: Y14.3 Multi and sectional view dgs. Y14.5M Dimensioning and tolerancing	
TOLERANCES NOT SPECIFIED .XX ± .XXX ± <math>\angle</math>(DEG) ±		<b>DO NOT SCALE DRAWING FOR DIMENSIONS</b> Sheet 1 of 2 SCALE 1:8	
<b>CONFIDENTIAL DISCLOSURE</b> This drawing is the property of POWEREX, INC. of the SCOTT FETZER COMPANY and subject to return on demand. Its contents are confidential and must not be copied or submitted to outside parties for use or examination.		DRAWN BY: MAH CHECKED BY: GES APPROVED BY: DMS, RJR 3/16/18 3/16/18 3/16/18 3/16/18	
MATERIAL: N/A		<b>POWEREX</b> 150 PRODUCTION DRIVE, HARRISON, OHIO 45030 Ph: 888-769-7979 FAX: (513) 367-3125	
PART NAME: 5 HP OILLESS VACUUM DUPLEX 120 GAL		DWG NO: VVOTD0504B SIZE: D	

REV	ZONE	REVISION	DATE	ECN	NAME	CHKD
B-1	ALL	RELEASED FOR PRODUCTION	3/16/18	PRECORRO	MAH	GES



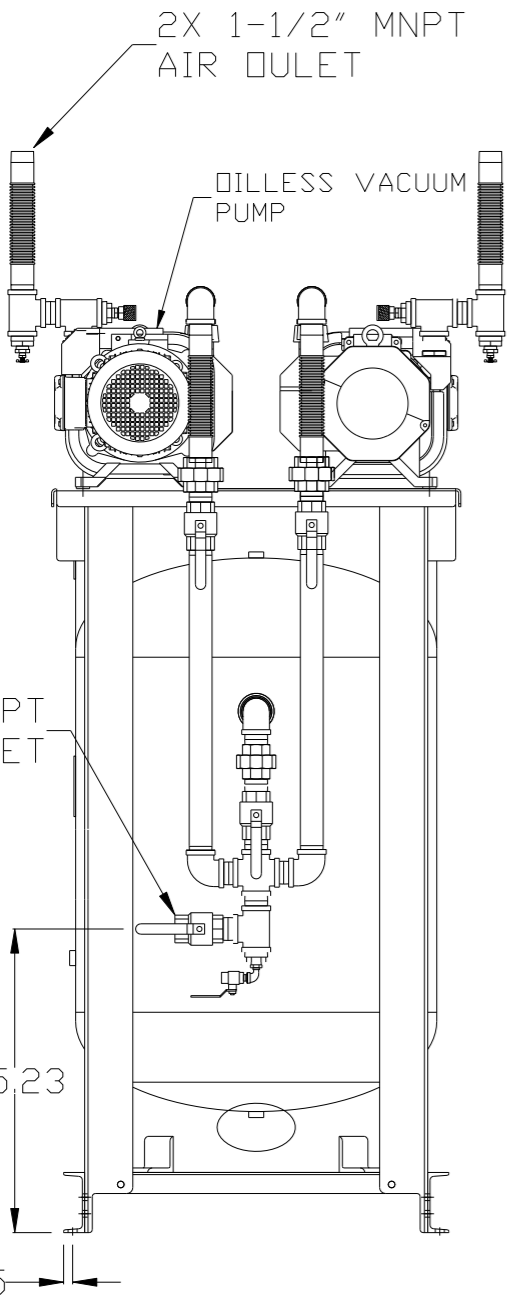
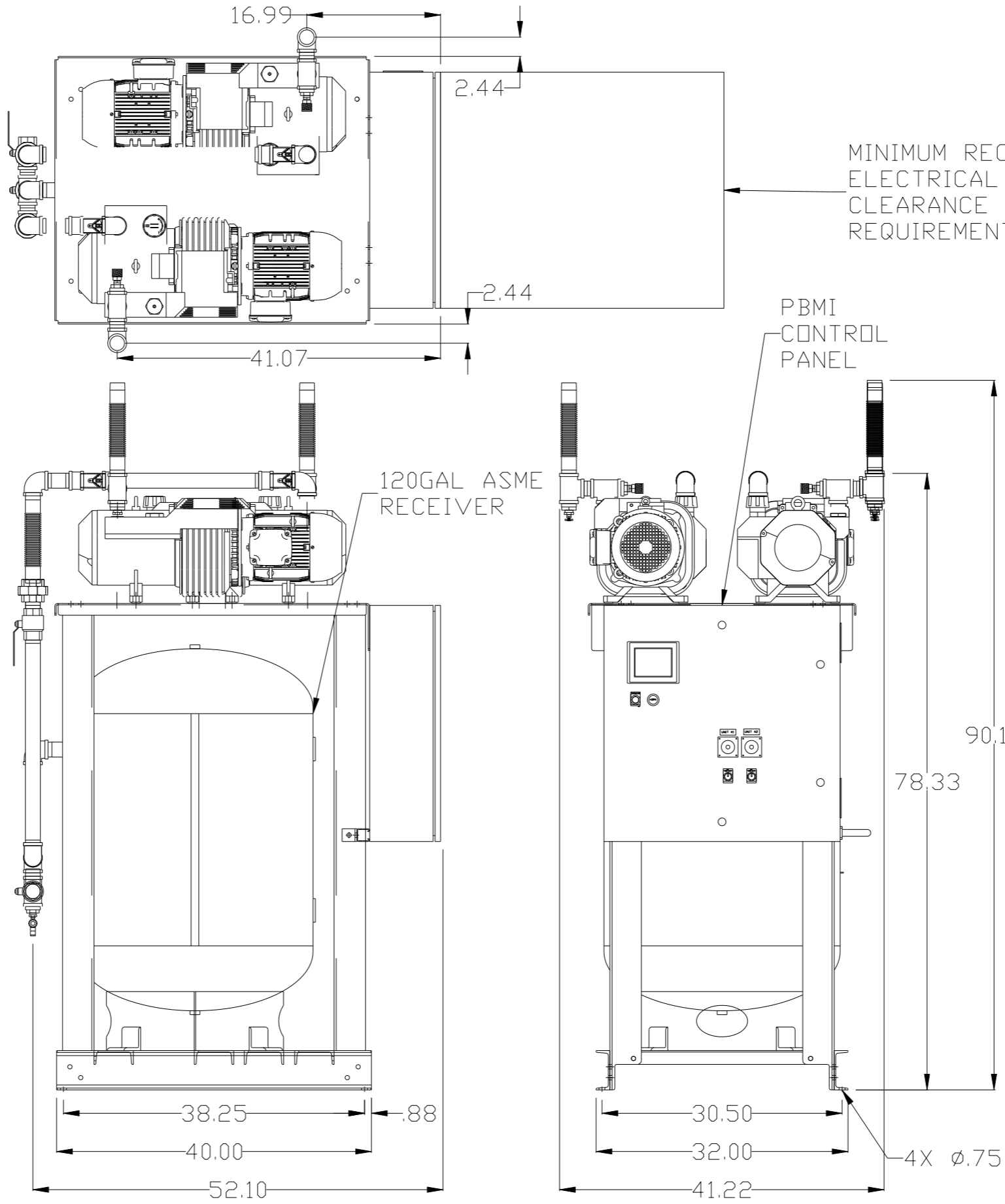
LEGEND

	TEMP. SWITCH		VACUUM SWITCH
	LOW OIL LEVEL SW.		CHECK VALVE
	AIR FILTER		FLEX LINE
	BALL VALVE		UNION
	SOLENOID VALVE		

NOTES:  
 1) TSH - TEMPERATURE SWITCH HIGH  
 2) PER NFPA THE SYSTEM WILL REQUIRE A SOURCE VALVE (SUPPLIED BY OTHERS).

SYMBOL LEGEND ⊖ = MINUS DRAFT ⊕ = PLUS DRAFT		⊕ = ADDITIONAL CONTROL REQ'D HB = BRINELL HARDNESS		Drawings to conform to the current revision of the following ANSI standards: Y14.3 Multi and sectional view dgs. Y14.5M Dimensioning and tolerancing	
TOLERANCES NOT SPECIFIED .XX ± .XXX ± <math>\angle</math> (DEG) ±		AUTOCAD REL2008 LT INCH		DO NOT SCALE DRAWING FOR DIMENSIONS Sheet 2 of 2 SCALE 1:8	
CONFIDENTIAL DISCLOSURE This drawing is the property of POWEREX, INC. of the SCOTT FETZER COMPANY and subject to return on demand. Its contents are confidential and must not be copied or submitted to outside parties for use or examination.					
DRAWN BY MAH		CHECKED BY GES		APPROVED BY ENGINEERING MFG/MRKTG DMS RJR	
DATE 3/16/18		DATE 3/16/18		DATE 3/16/18	
MATERIAL N/A		 150 PRODUCTION DRIVE, HARRISON, OHIO 45030 Ph: 888-769-7979 FAX: (513) 367-3125		SIZE D	
PART NAME DUPLEX OL VACUUM FLOW SCHEMATIC		DWG NO VVOTD0504B		VVOTD0504B.dwg	

REV	ZONE	REVISION	DATE	ECN	NAME	CHKD
B-1	ALL	RELEASE TO PRODUCTION	3/16/18	PKC0020	MAH	GES



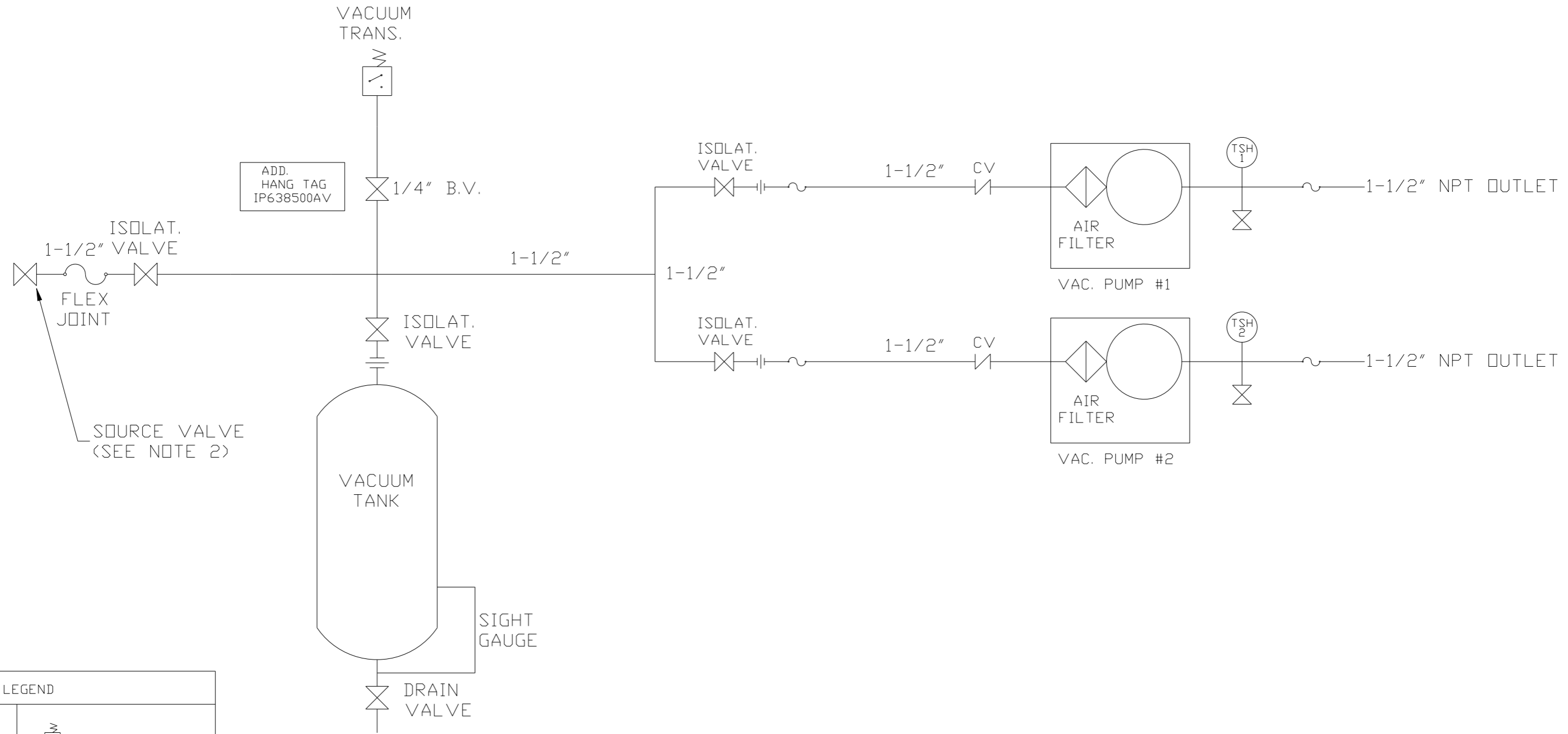
NOTE: A MINIMUM OF 24" CLEARANCE IS RECOMMENDED AROUND THE ENTIRE UNIT.

NOTE: SYSTEM DESIGNED IN COMPLIANCE WITH U.S. NFPA '99, LATEST EDITION.

<b>SYMBOL LEGEND</b> ⊖ = MINUS DRAFT ⊕ = PLUS DRAFT ⊕ = BRINELL HARDNESS		= ADDITIONAL CONTROL REQ'D = BRINELL HARDNESS		Drawings to conform to the current revision of the following ANSI standards: Y14.3 Multi and sectional view dsgs. Y14.5M Dimensioning and tolerancing
TOLERANCES NOT SPECIFIED .XX ± .XXX ± <Z( DEG ) ±		AUTOCAD REL2008 LT INCH		DO NOT SCALE DRAWING FOR DIMENSIONS Sheet 1 of 2 SCALE 1:8
<b>CONFIDENTIAL DISCLOSURE</b> This drawing is the property of POWEREX, INC. of the SCOTT FETZER COMPANY and subject to return on demand. Its contents are confidential and must not be copied or submitted to outside parties for use or examination.				
DRAWN BY MAH		CHECKED BY GES		APPROVED BY ENGINEERING MFG/MRKTG DMS RJR
MATERIAL N/A		DATE 3/16/18		DATE 3/16/18
PART NAME 5 HP ØILLESS VACUUM DUPLEX 120 GAL				SIZE D
DWG NO VV0TD0504B		DATE 3/16/18		DATE 3/16/18

APPROXIMATE WEIGHT: 1400 LBS.

REV	ZONE	REVISION	DATE	ECN	NAME	CHKD
B-1	ALL	RELEASED FOR PRODUCTION	3/16/18	PRECORRO	MAH	GES



LEGEND

	TEMP. SWITCH		VACUUM SWITCH
	LOW OIL LEVEL SW.		CHECK VALVE
	AIR FILTER		FLEX LINE
	BALL VALVE		UNION
	SOLENOID VALVE		

NOTES:  
 1) TSH - TEMPERATURE SWITCH HIGH  
 2) PER NFPA THE SYSTEM WILL REQUIRE A SOURCE VALVE (SUPPLIED BY OTHERS).

SYMBOL LEGEND ⊖ = MINUS DRAFT ⊕ = PLUS DRAFT		⊕ = ADDITIONAL CONTROL REQ'D HB = BRINELL HARDNESS		Drawings to conform to the current revision of the following ANSI standards: Y14.3 Multi and sectional view dsgs. Y14.5M Dimensioning and tolerancing	
TOLERANCES NOT SPECIFIED .XX ± .XXX ± <DEG> ±		AUTOCAD REL2008 LT INCH		DO NOT SCALE DRAWING FOR DIMENSIONS Sheet 2 of 2 SCALE 1:8	
CONFIDENTIAL DISCLOSURE This drawing is the property of POWEREX, INC. of the SCOTT FETZER COMPANY and subject to return on demand. Its contents are confidential and must not be copied or submitted to outside parties for use or examination.		DRAWN BY MAH	CHECKED BY GES	APPROVED BY ENGINEERING DMS	MFG/MKTG RJR
MATERIAL N/A		3/16/18	3/16/18	3/16/18	3/16/18
PART NAME DUPLEX OL VACUUM FLOW SCHEMATIC		 150 PRODUCTION DRIVE, HARRISON, OHIO 45030 Ph: 888-769-7979 FAX: (513) 367-3125		DWG NO VVOTD0504B SIZE D	