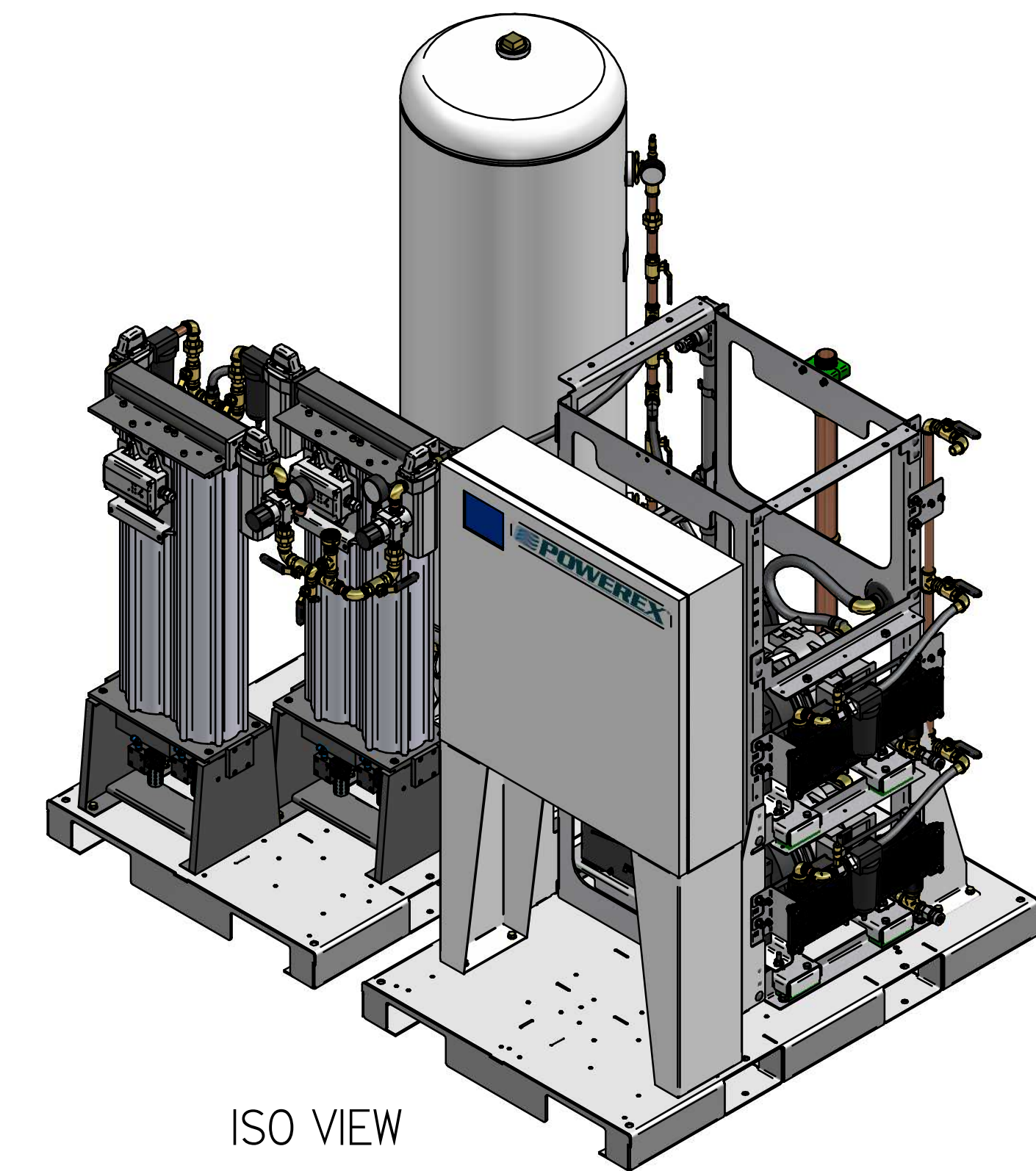
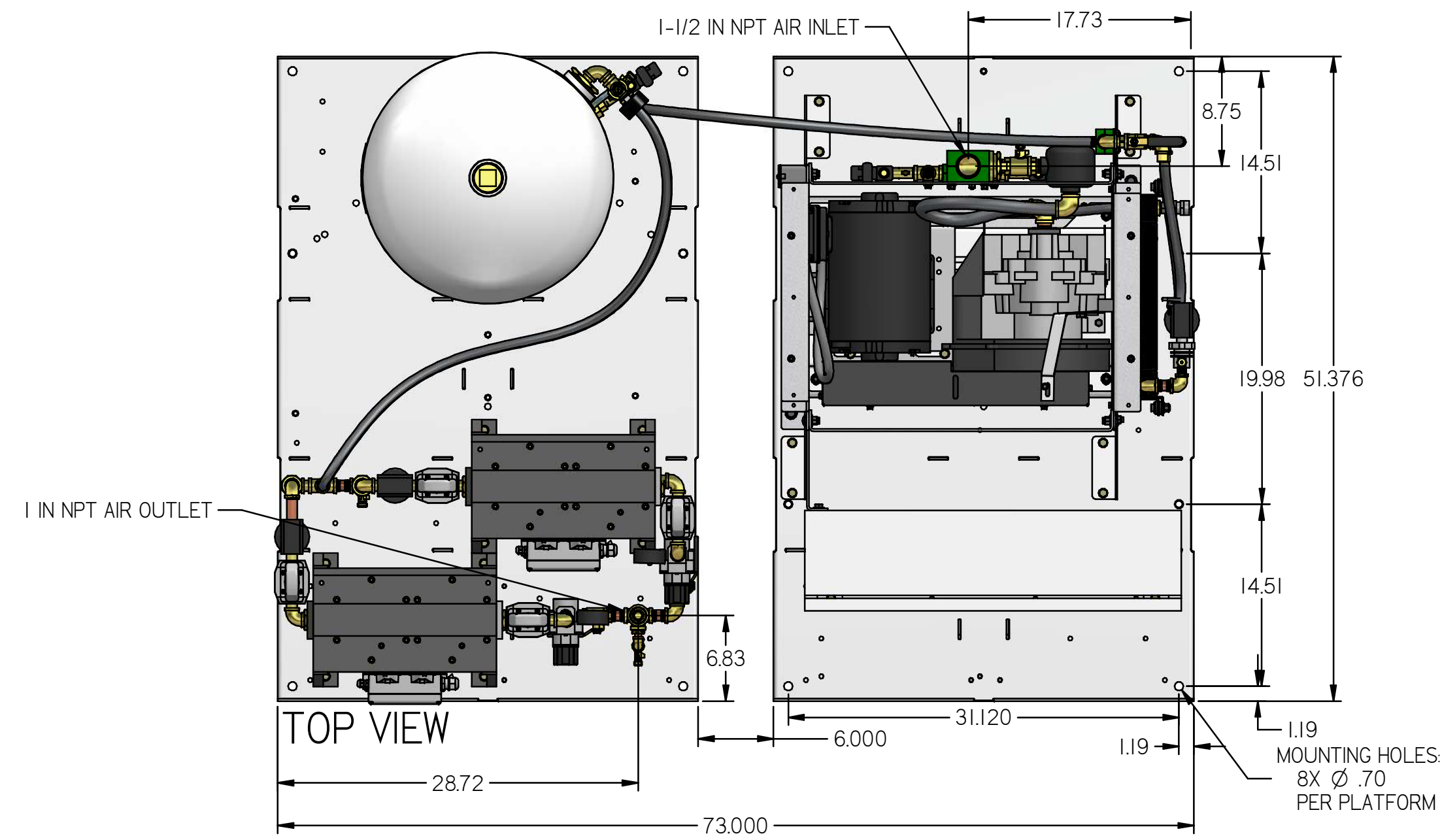


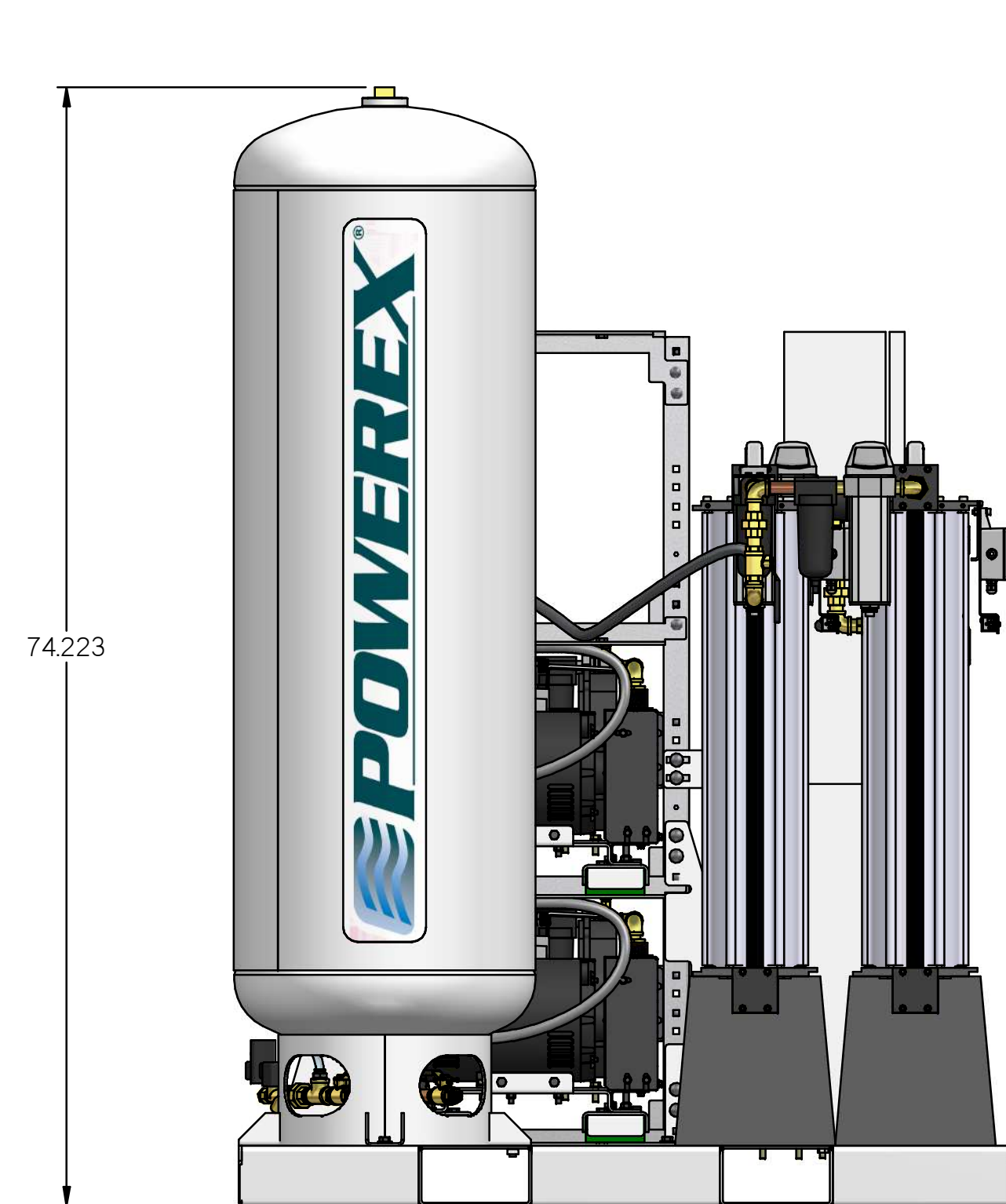
# LSD05A3-EX3

LAB OPEN SCROLL SYSTEM  
5 HP DUPLEX EXPANDABLE  
TO TRI WITH 80 TANK

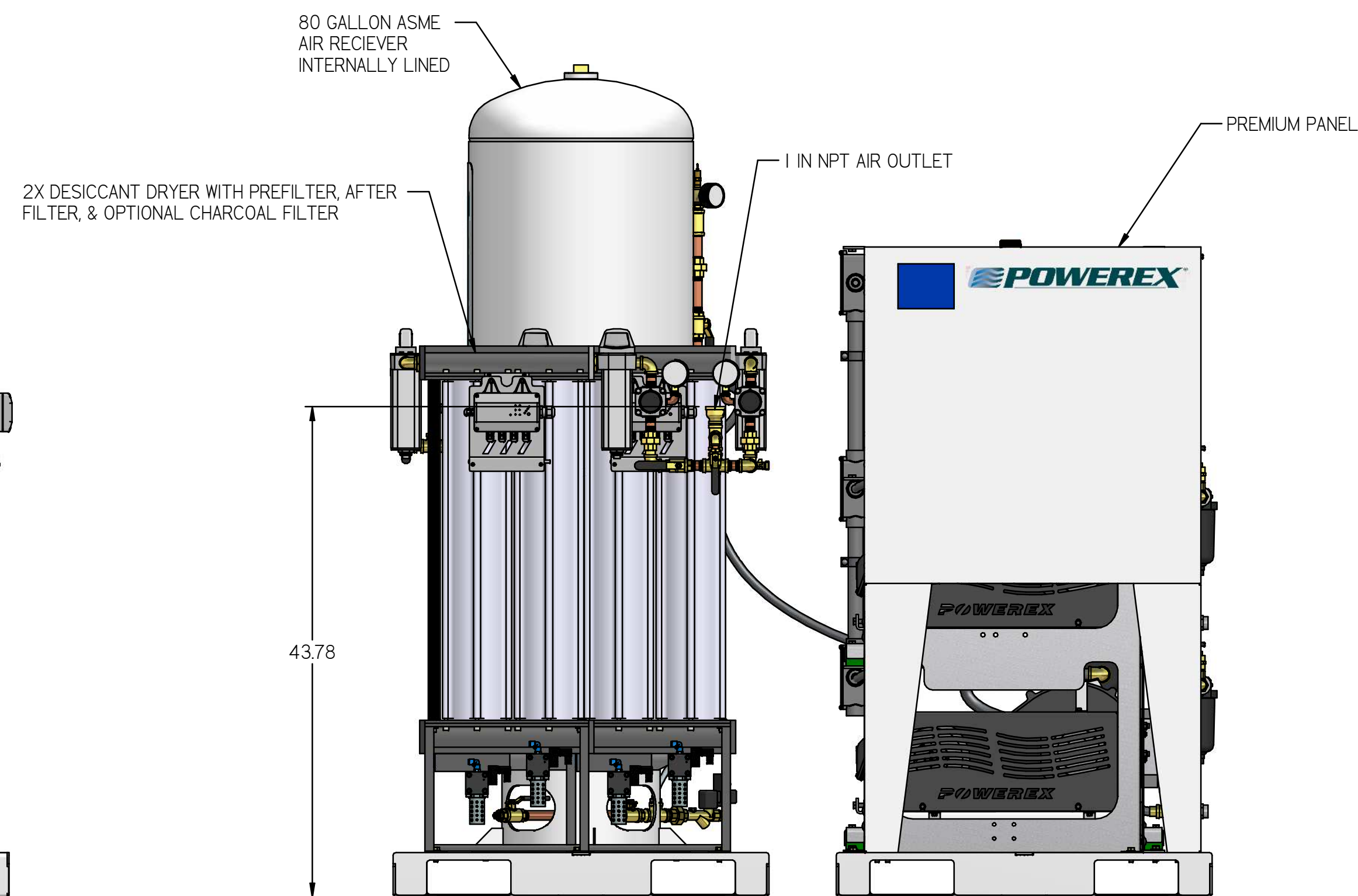
REVISION NOTES		
DESCRIPTION	ECN	PR/NOR
PRODUCTION RELEASE	PXEC0169	N/A



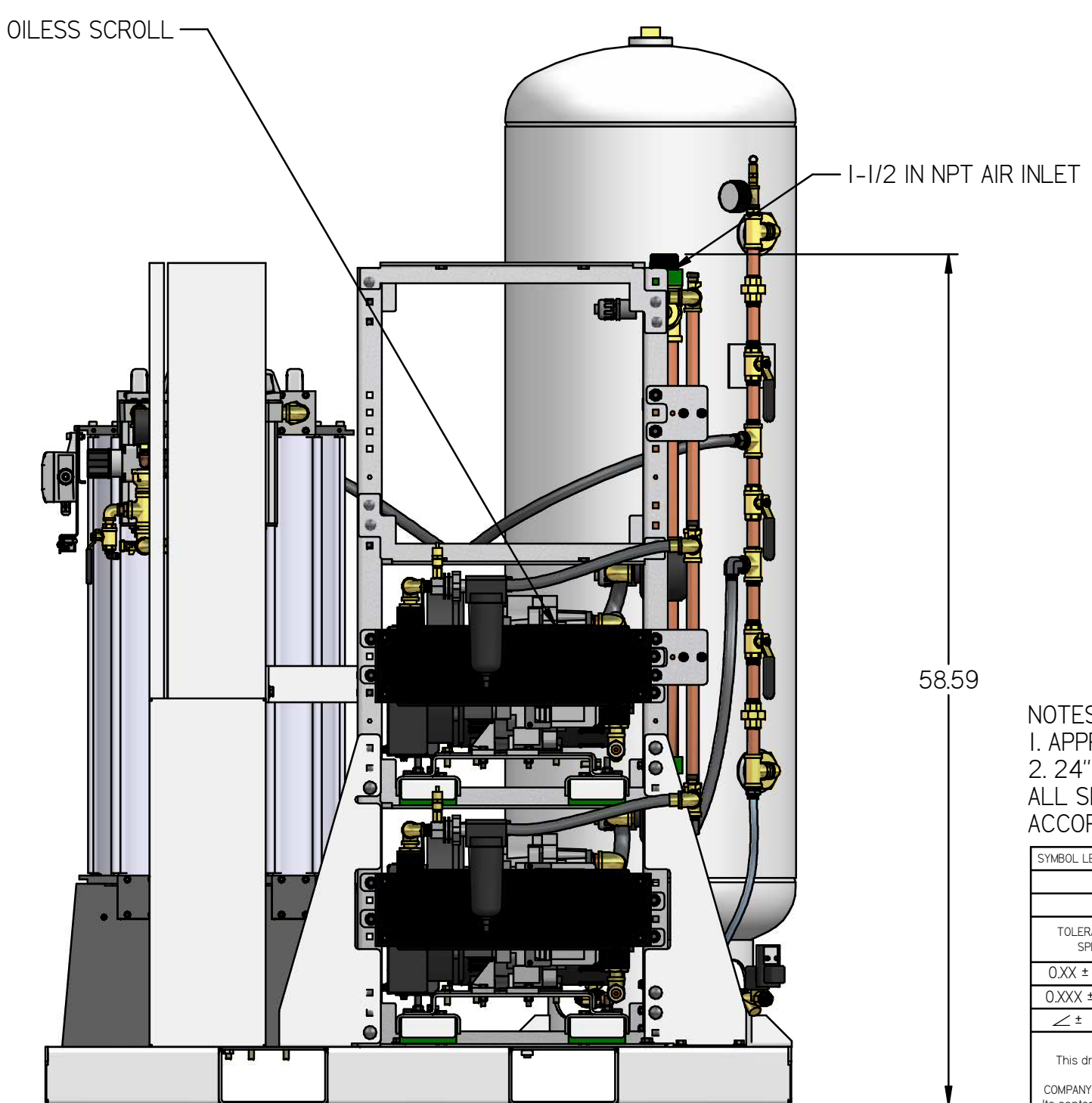
ISO VIEW



RIGHT VIEW



FRONT VIEW



LEFT VIEW

- NOTES:  
1. APPROX SYSTEM WEIGHT: 1529 LB  
2. 24" MINIMUM MAINTENANCE CLEARANCE RECOMMENDED ALL SIDES. CLEARANCE FOR CONTROL PANEL SHALL BE IN ACCORDANCE WITH OSHA/NEC REQUIREMENTS

SYMBOL LEGEND		DRAWINGS TO CONFORM TO CURRENT REVISION OF THE FOLLOWING ANSI STANDARDS:	
TOLERANCES NOT SPECIFIED	SOLID EDGE DRAWING	DO NOT SCALE DRAWING FOR DIMENSIONS	
0.XXX ± .01	INCH	SHEET 1 OF 4	SCALE 1:10
0.XXX ± .005		APPROVALS ON FILE IN PLM	
<small>CONFIDENTIAL DISCLOSURE</small> This drawing is the property of POWEREX of the SCOTT FETTER COMPANY and is subject to return on demand. Its contents are confidential and must not be copied or submitted to outside parties for use or examination.		AUTHOR	ORIGINATION DATE
TITLE: 716011		ASoulek	11/1/2018
MATERIAL: SEE PART NOTES			
DESCRIPTION: LAB OPEN SCROLL SYSTEM 5 HP DUPLEX EXPANDABLE TO TRI WITH 80 TANK		DRAWING NUMBER: LSD05A3-EX3	REVISION: B
			D

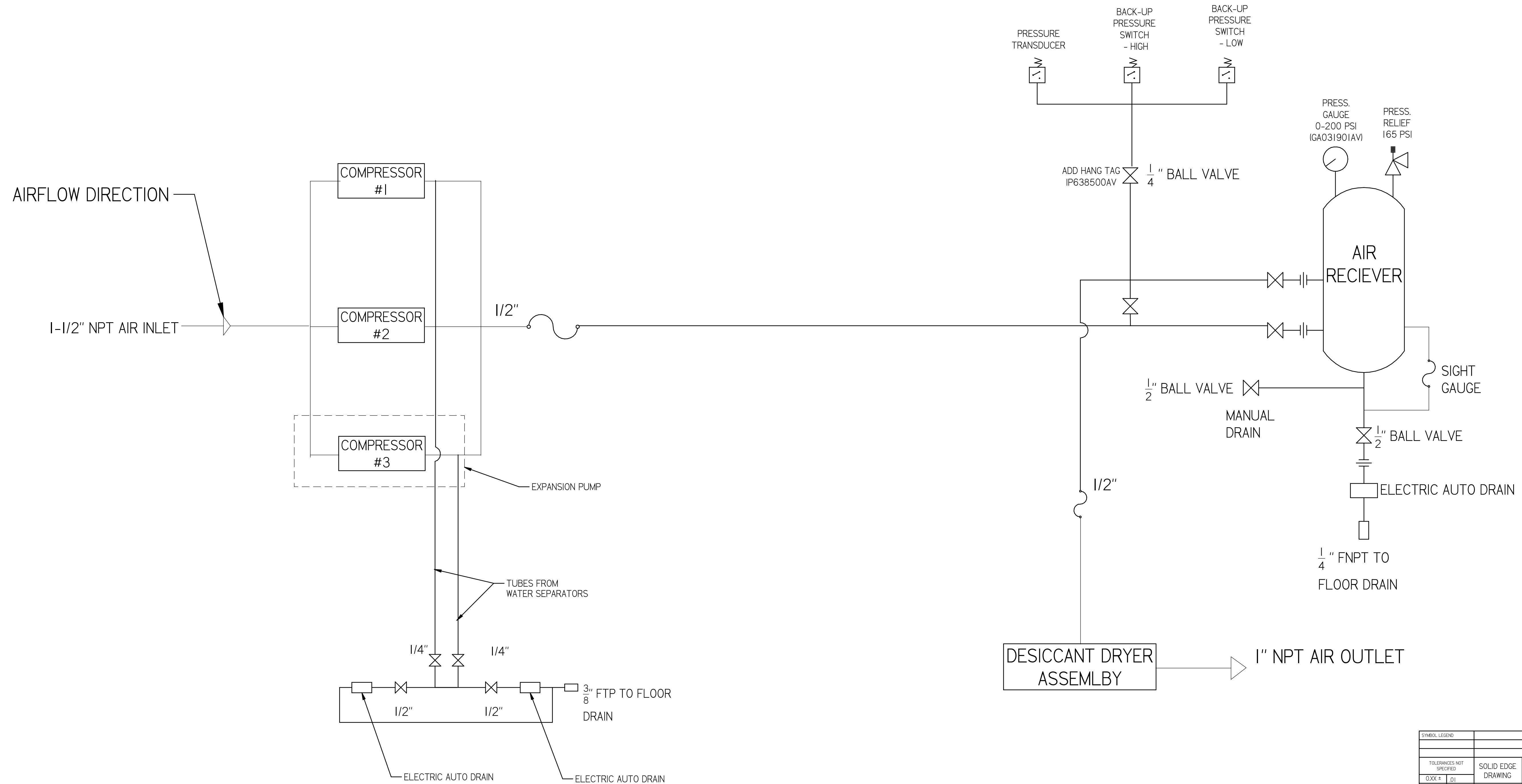


# LSD05A3-EX3

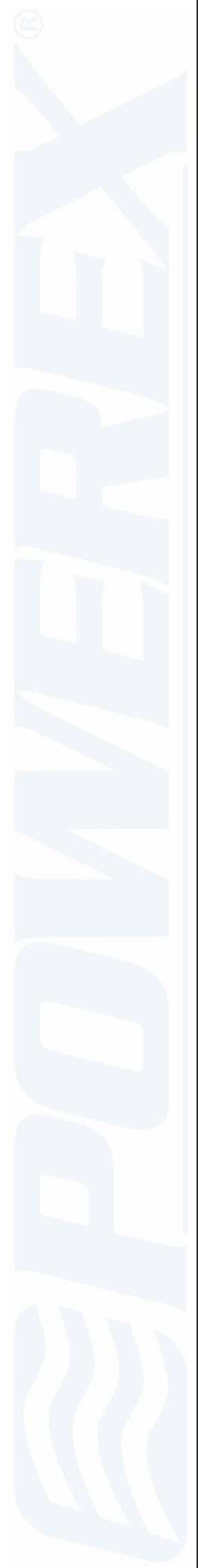
LAB OPEN SCROLL SYSTEM  
5 HP DUPLEX EXPANDABLE  
TO TRI WITH 80 TANK

## SYSTEM FLOW DIAGRAM

REVISION NOTES		
DESCRIPTION	ECN	PR/NOR
PRODUCTION RELEASE	PXECO169	N/A



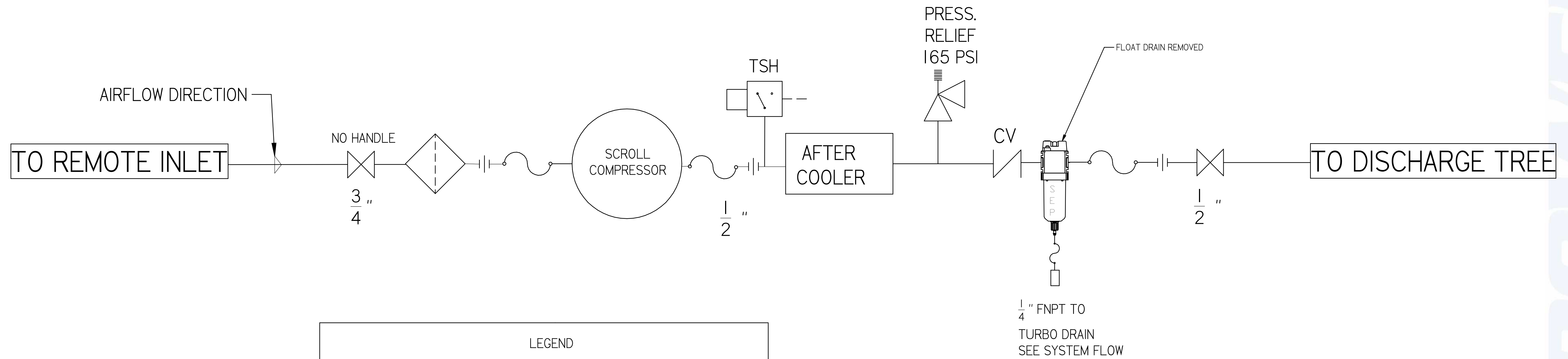
SYMBOL LEGEND		DRAWINGS TO CONFORM TO CURRENT REVISION OF THE FOLLOWING ANSI STANDARDS:	
		Y14.3 MULTI-VIEW AND SECTIONAL VIEW DWGS	
		Y14.5 DIMENSIONING AND TOLERANCING	
TOLERANCES NOT SPECIFIED	SOLID EDGE DRAWING	DO NOT SCALE DRAWING FOR DIMENSIONS	
0.0001 ± 0.01		SHEET 2 OF 4	SCALE 1:1
0.0001 ± 0.005	INCH		
± 0.005			
<small>CONFIDENTIAL DISCLOSURE</small> This drawing is the property of POWEREX or the SCOTT FETTER COMPANY and is subject to return on demand. Its contents are confidential and must not be copied or submitted to outside parties for use or examination.		AUTHOR	APPROVALS ON FILE IN PLM
TITLE: 716011 MATERIAL: SEE PART NOTES		ASoulek	11/1/2018
DESCRIPTION: LAB OPEN SCROLL SYSTEM 5 HP DUPLEX EXPANDABLE TO TRI WITH 80 TANK		DRAWING NUMBER: LSD05A3-EX3	REVISION: B
			SIZE: D



REVISION NOTES		
DESCRIPTION	ECN	PR/NOR
PRODUCTION RELEASE	PXECO169	N/A

# LSD05A3-EX3

LAB OPEN SCROLL SYSTEM  
5 HP DUPLEX EXPANDABLE  
TO TRI WITH 80 TANK  
LAB COMPRESSOR  
FLOW DIAGRAM



LEGEND	
	RELIEF VALVE
	INTAKE FILTER
	AIR FILTER
	3 WAY VALVE
	CARBON FILTER
	BALL VALVE
	PRESSURE SWITCH
	REGULATOR
	SEPARATOR
	CHECK VALVE
	FLEX LINE
	TSH HIGH TEMP SWITCH

SYMBOL LEGEND		DRAWINGS TO CONFORM TO CURRENT REVISION OF THE FOLLOWING ANSI STANDARDS:	
TOLERANCES NOT SPECIFIED:		Y14.3 MULTI AND SECTIONAL VIEW DWGS	
0.001 ± .01	SOLID EDGE DRAWING	Y14.5 DIMENSIONING AND TOLERANCING	
0.0005 ± .0005		DO NOT SCALE DRAWING FOR DIMENSIONS	
± .5	INCH	SHEET 3 OF 4	SCALE 1:1
<small>CONFIDENTIAL DISCLOSURE</small> This drawing is the property of POWEREX of the SCOTT FETTER COMPANY and is subject to return on demand. Its contents are confidential and must not be copied or submitted to outside parties for use or examination.		AUTHOR	APPROVALS ON FILE IN PLM
TITLE: 716011 MATERIAL: SEE PART NOTES		ASoulek	11/1/2018
DESCRIPTION: LAB OPEN SCROLL SYSTEM 5 HP DUPLEX EXPANDABLE TO TRI WITH 80 TANK		DRAWING NUMBER: LSD05A3-EX3	REVISION: B D

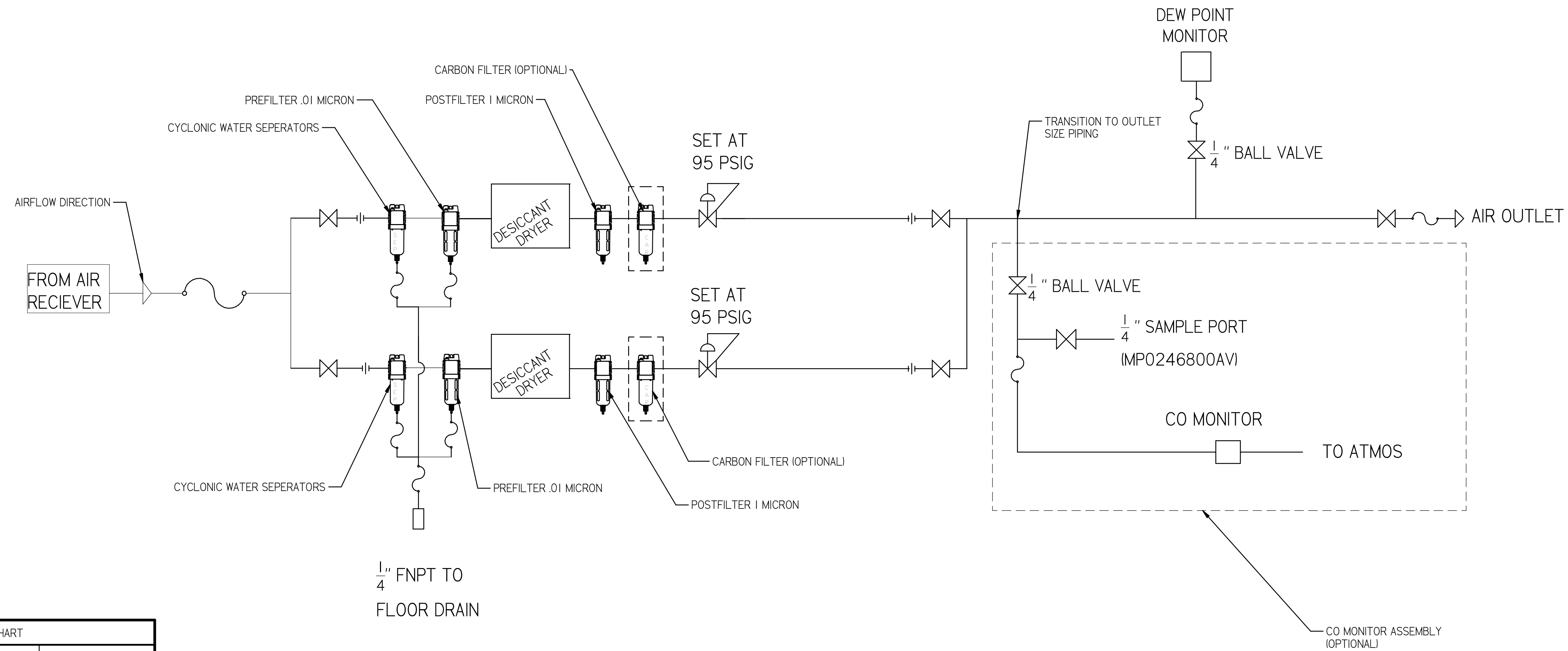


REVISION NOTES		
DESCRIPTION	ECN	PR/NOR
PRODUCTION RELEASE	PXECO169	N/A

# LSD05A3-EX3

LAB OPEN SCROLL SYSTEM  
5 HP DUPLEX EXPANDABLE  
TO TRI WITH 80 TANK

LAB DRYER  
FLOW DIAGRAM



PIPE SIZE CHART		
PUMP COUNT	DRYER PLUMBING SIZE	OUTLET PIPE SIZE
2	1/2"	1/2"
3	1/2"	1"
4	1"	1-1/4"
6	1"	1-1/2"
8	1"	1-1/2"
9	1"	1-1/2"
12	1-1/2"	2"
15	1-1/2"	2"
18	1-1/2"	2"

SYMBOL LEGEND		DRAWINGS TO CONFORM TO CURRENT REVISION OF THE FOLLOWING ANSI STANDARDS: Y14.3 MULTI AND SECTIONAL VIEW DIMS Y14.5 DIMENSIONING AND TOLERANCING	
TOLERANCES NOT SPECIFIED	SOLID EDGE DRAWING	DO NOT SCALE DRAWING FOR DIMENSIONS	
0.XXX ± .01	INCH	SHEET 4 OF 4	SCALE 1:1
0.XXX ± .005			
± .5			
<small>CONFIDENTIAL DISCLOSURE</small> This drawing is the property of POWEREX of the SCOTT FETTER COMPANY and is subject to return on demand. Its contents are confidential and must not be copied or submitted to outside parties for use or examination.		AUTHOR	APPROVALS ON FILE IN PLM
<small>TRAINER</small> 716011		ASoulek	11/1/2018
<small>MATERIAL</small> SEE PART NOTES			
<small>DESCRIPTION</small> LAB OPEN SCROLL SYSTEM 5 HP DUPLEX EXPANDABLE TO TRI WITH 80 TANK		<small>DRAWING NUMBER</small> LSD05A3-EX3	<small>REVISION</small> B
			<small>SIZE</small> D

