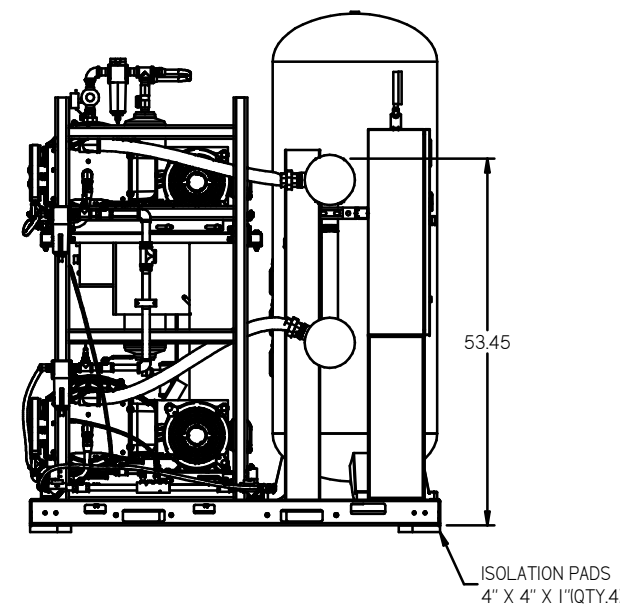
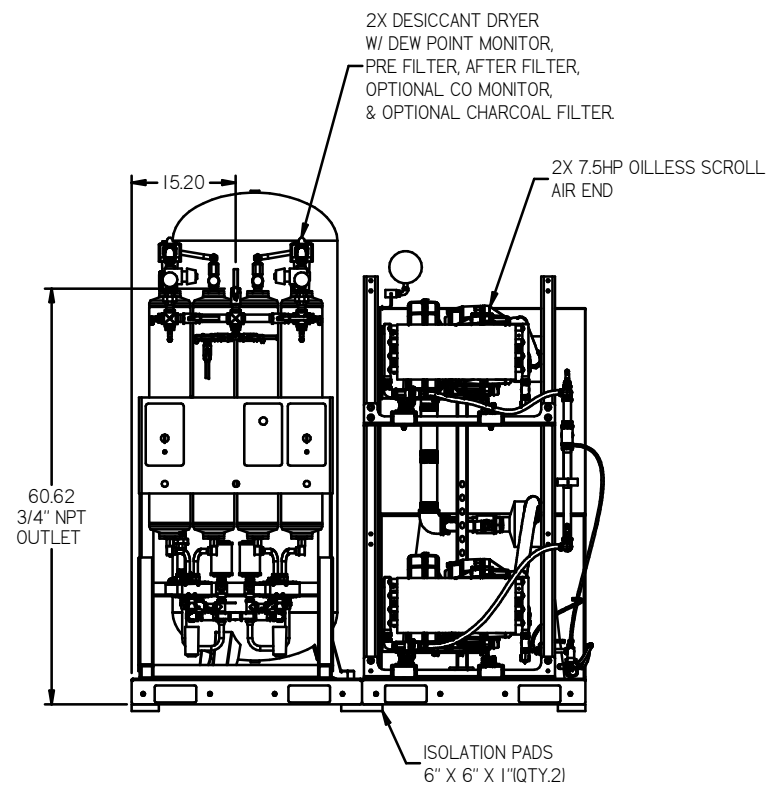
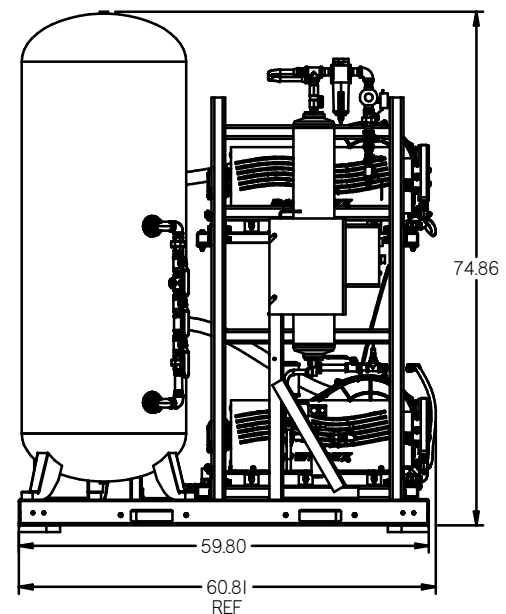
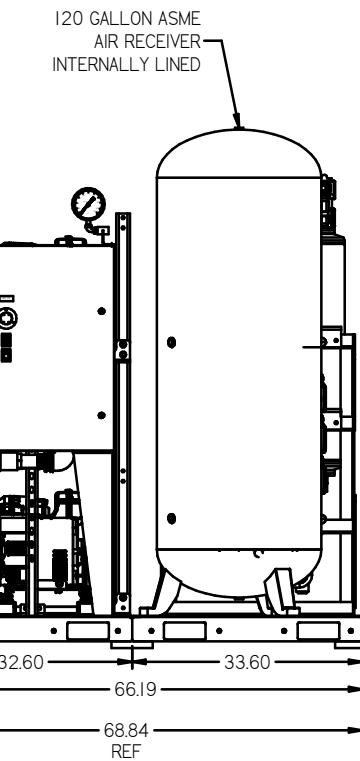
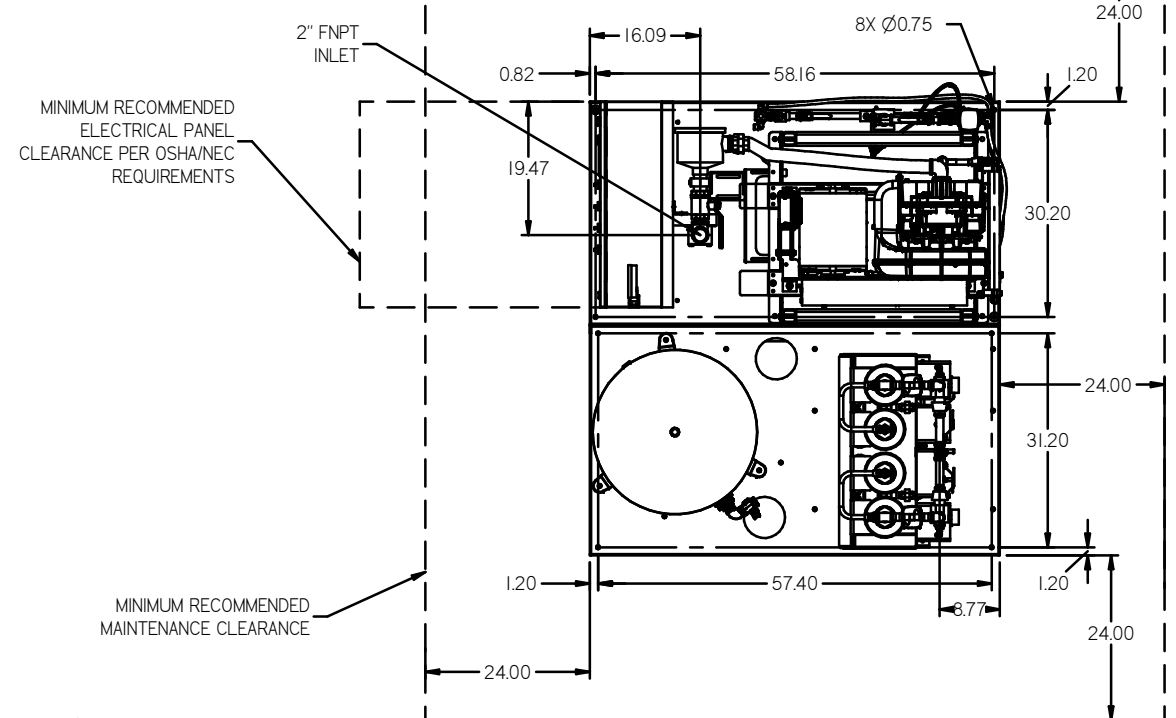


REV	ZONE	REVISION	DATE	ECN	NAME	CHKD
B	ALL	RELEASE TO PRODUCTION	3/2/15	PREC005	JBE	DPB
C-1	ALL	UPDATED TO CURRENT PRODUCTION	8/2/15	PREC009	AEK	GES
D-1	2 ALL 2 ALL 1 ALL 1 ALL	CORRECTED SEPARATOR DRAIN LINES TO 1/4" ADDED NOTE TO REMOVE SEPARATOR FLOAT ADDED OVERALL DIMENSIONS ADDED OUTLINE FOR RECOMMENDED CLEARANCES UPDATED INLET TUBE	01/17/17	PREC017	MJD	GES
E	ALL	ADDED UNION AND UPDATED TO 9/10	1/15/18	PREC025	MMT	SA

D  
C  
B  
A



NOTE: SYSTEM DESIGNED IN COMPLIANCE WITH US NFPA'99, LATEST EDITION.

SYMBOL LEGEND ⊖ = MINUS DRAFT ⊕ = PLUS DRAFT H = HARDNESS	= ADDITIONAL CONTROL REQ'D = BRINELL HARDNESS	Drawings to conform to the current revision of the following ASME standards: Y14.3 Multi and sectional view dgs Y14.9 Dimensioning and tolerancing
TOLERANCES NOT SPECIFIED .XX ± .XXX ± .4 DEC. ±	AUTOCAD REL20001 INCH	DO NOT SCALE DRAWING FOR DIMENSIONS Sheet 1 of 2 SCALE 1:14
CONFIDENTIAL DISCLOSURE This drawing is the property of POWEREX, INC. or THE SCOTT FETZER COMPANY and subject to return on demand. Its contents are confidential and must not be copied or submitted to outside parties for use or examination.		
MATERIAL N/A	DRAWN BY JBE 3/2/15	CHECKED BY AEK 3/2/15
PART NAME DUPLEX LAB SCROLL 7.5HP, 120GAL. BASEMOUNT DUPLEX DESICCANT	APPROVED BY JA 3/2/15	CT 3/2/15
POWEREX 10000 WALKER DRIVE, SUITE 100 WALKER, MO 64080-3000		DIM NO LSD0754 SIZE D

D  
C  
B  
A

8 7 6 5 4 3 2 1

8 7 6 5 4 3 2 1

8 7 6 5 4 3 2 1

8 7 6 5 4 3 2 1

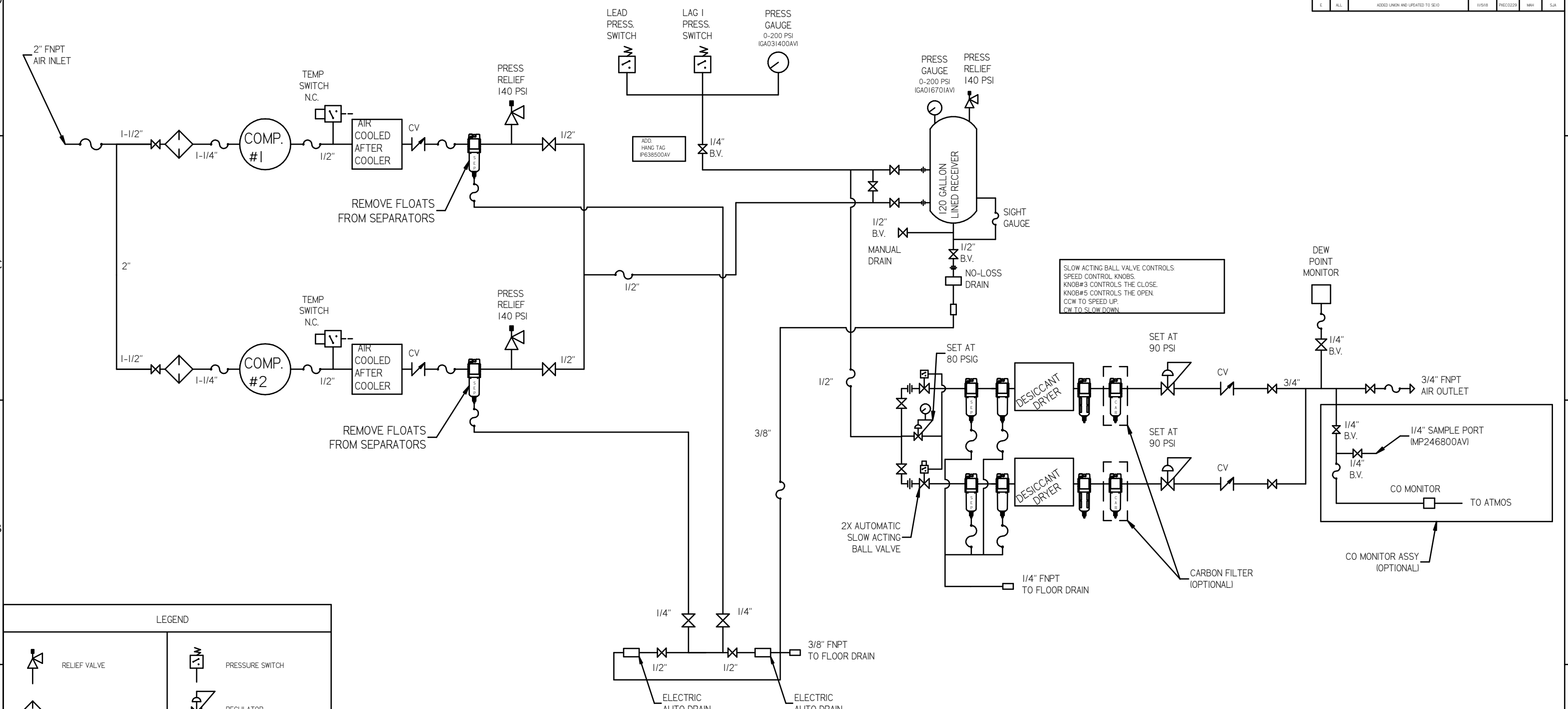
8 7 6 5 4 3 2 1

8 7 6 5 4 3 2 1

8 7 6 5 4 3 2 1

8 7 6 5 4 3 2 1

REV	ZONE	REVISION	DATE	ECN	NAME	CHKD
B-1	ALL	RELEASE TO PRODUCTION	3/2/15	PXC0015	JBE	SHS
C-1	ALL	UPDATED TO CURRENT PRODUCTION	8/2/15	PXC0099	AEK	GES
D-1	2 ALL	CORRECTED SEPARATOR DRAIN LINES TO 1/4"				
	2 ALL	ADDED NOTE TO REMOVE SEPARATOR FLOAT				
	1 ALL	ADDED OVERALL DIMENSIONS	01/17	PXC0167	MJD	GES
	1 ALL	ADDED OUTLINE FOR RECOMMENDED CLEARANCES				
	1 ALL	UPDATED INLET TREE				
E	ALL	ADDED UNION AND UPDATED TO SEIO	11/5/18	PXC0229	MH	SJA



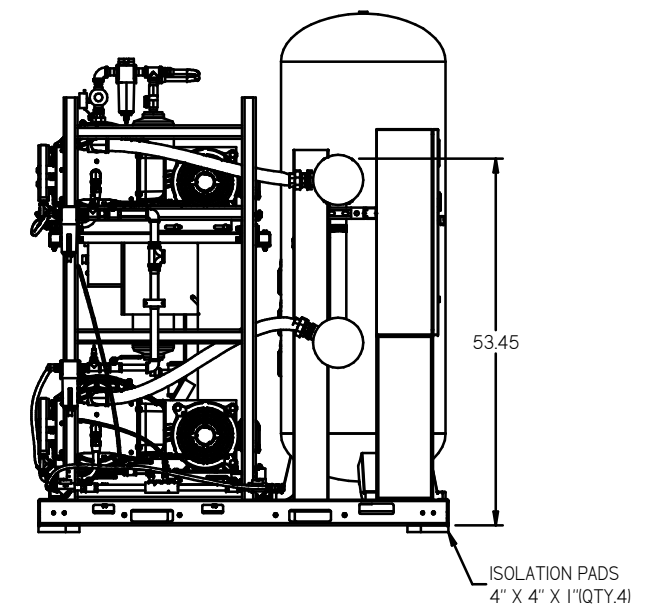
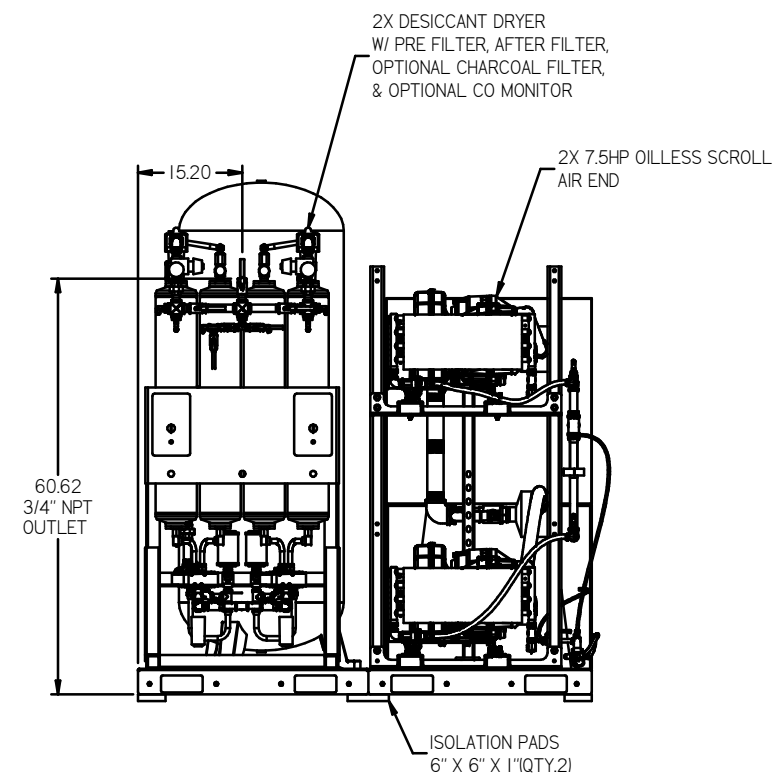
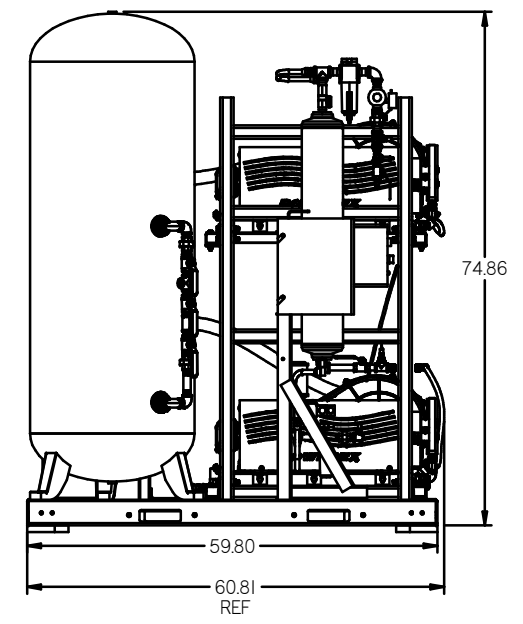
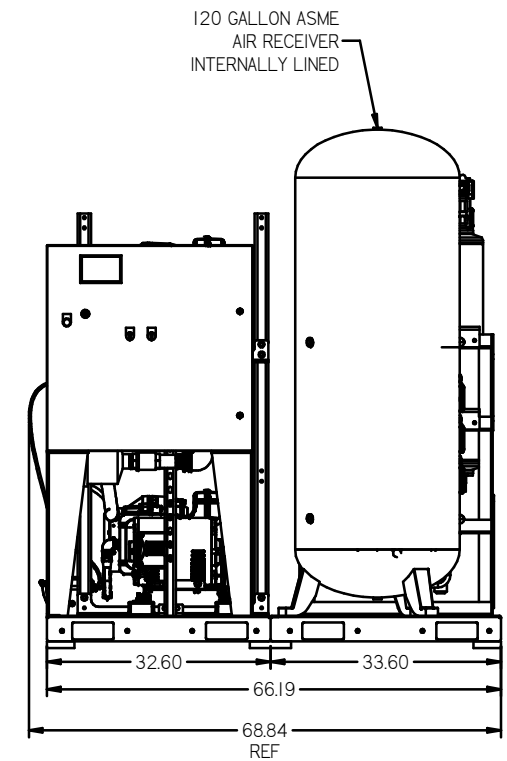
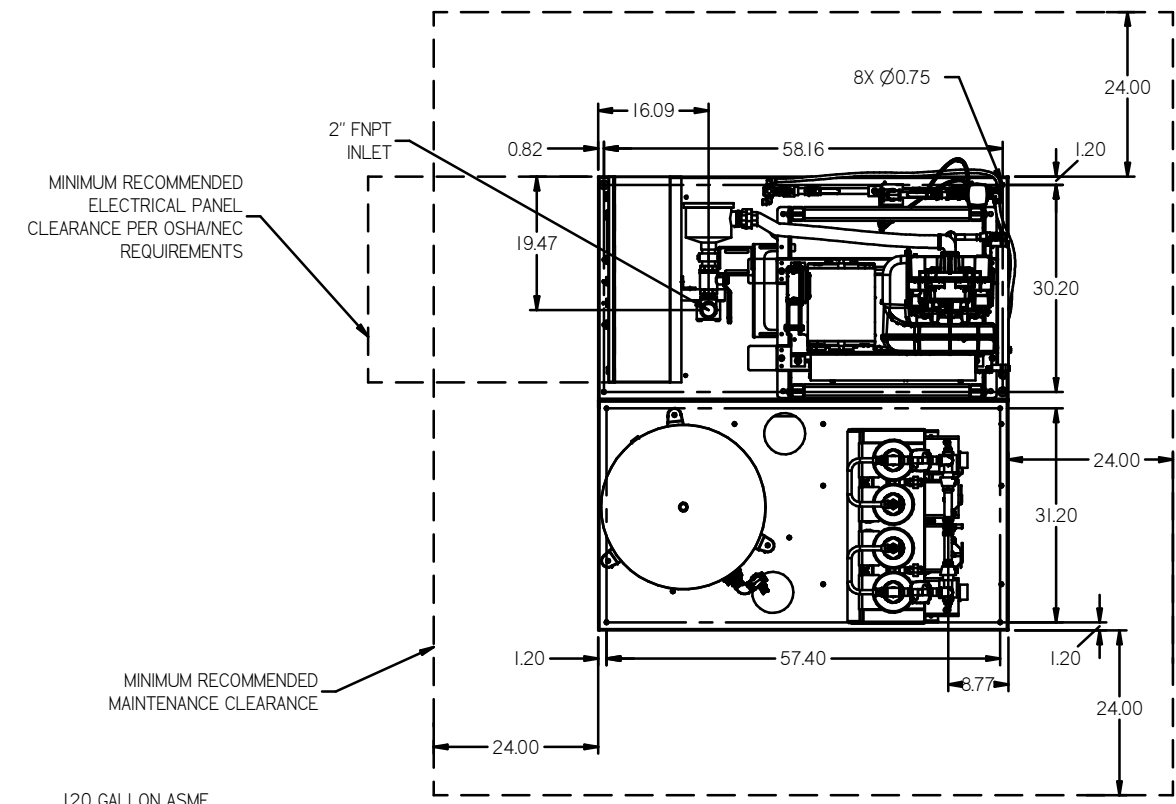
**LEGEND**

	RELIEF VALVE		PRESSURE SWITCH
	INTAKE FILTER		REGULATOR
	AIR FILTER		SEPARATOR
	3 WAY VALVE		CHECK VALVE
	CARBON FILTER		FLEX LINE
	BALL VALVE		HIGH TEMP SWITCH
			UNION

**NOTES:**  
 1) PIPING TO THE INLET BY OTHERS AND TO BE PER NFPA99 4-3.1.1.9(b)  
 2) INSTRUMENTS DOWN STREAM OF SOURCE VALVE TO BE SUPPLIED BY OTHERS.  
 3) IF LOW PRESSURE IS DETECTED ALARM WILL OCCUR.

<small>UNLESS NOTED OTHERWISE:</small> ⊖ = MINUS DRAFT ⊕ = PLUS DRAFT <small>CONFIDENTIAL DISCLOSURE</small> This drawing is the property of POWEREX, Inc. or the SCOTT FETZER COMPANY and subject to return on demand. Its contents are confidential and must not be copied or submitted to outside parties for use or exhibition.	ADDITIONAL CONTROL REQ'D = BRINELL HARDNESS	Drawings to conform to the current revision of the following ANSI standards: Y14.3 Multi and sectional view dgs Y14.5M Dimensioning and tolerancing
<small>TOLERANCES NOT SPECIFIED:</small> XX ± .01 XXX ± .005 4 DEC ± .001	AUTOCAD REL2000 I <b>INCH</b>	<b>DO NOT SCALE DRAWING FOR DIMENSIONS</b> Sheet 2 of 2 SCALE 1:14
DRAWN BY: JBE CHECKED BY: AEK 3/2/15	APPROVED BY: JA 3/2/15	DATE: 3/2/15
MATERIAL: N/A		
PART NAME: 7.5HP LAB SCROLL DUPLEX FLOW SCHEMATIC		Dwg No: LSD0754

REV	ZONE	REVISION	DATE	ECN	NAME	Q/HD
B-1	ALL	RELEASE TO PRODUCTION	3/2/15	PREC003	AEK	DES
C-1	ALL	UPDATED TO CURRENT PRODUCTION	8/2/15	PREC003	AEK	DES
D-1	2 ALL	CORRECTED SEPARATOR DRAIN LINES TO UNIT	01/11/17	PREC017	MJD	DES
	1 ALL	ADDED NOTE TO REMOVE SEPARATOR FLOAT				
	1 ALL	ADDED OVERALL DIMENSIONS				
	1 ALL	ADDED OUTLINE FOR RECOMMENDED CLEARANCES				
	1 ALL	UPDATED INLET TREE				
E	ALL	ADDED UNION AND UPDATED TO 3/10	10/5/18	PREC029	MW	SA

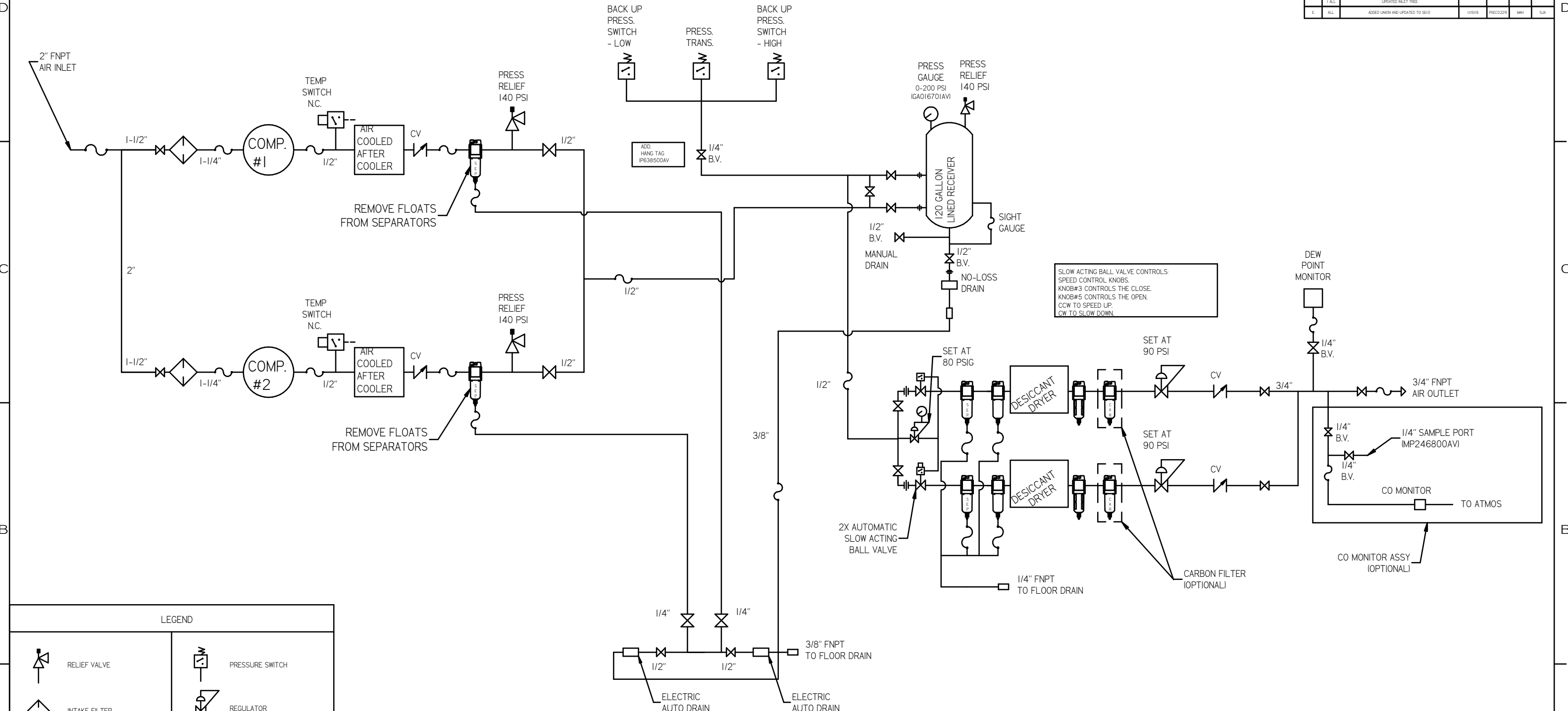


NOTE: SYSTEM DESIGNED IN COMPLIANCE WITH US NFPA'99, LATEST EDITION.

TOLERANCES NOT SPECIFIED XX ± XXX ± 4 DEC. ±	AUTOCAD REL2000 INCH	DO NOT SCALE DRAWING FOR DIMENSIONS Sheet 1 of 2 SCALE 1:14
CONFIDENTIAL DISCLOSURE This drawing is the property of POWEREX, INC. of the SCOTT FETZER COMPANY and subject to return on demand. Its contents are confidential and must not be copied or submitted to outside parties for use or reproduction.	DRAWN BY: JBE CHECKED BY: AEK APPROVED BY: JA DATE: 3/2/15	DRAWING BY: CT DATE: 3/2/15
MATERIAL: N/A	PART NAME: DUPLEX LAB SCROLL 7.5HP, 120GAL. BASEMOUNT DUPLEX DESICCANT	DRAWING NO: LSD0754 SIZE: D



REV	ZONE	REVISION	DATE	ECN	NAME	CHKD
0-1	ALL	RELEASE TO PRODUCTION	2/2/15	PREC003	AEK	GES
C-1	ALL	UPDATED TO CURRENT PRODUCTION	8/2/15	PREC003	AEK	GES
D-1	2 ALL 1 ALL 1 ALL	CORRECTED SEPARATOR DOWN LINES TO IN4 ADDED NOTE TO REMOVE SEPARATOR FLOAT ADDED OVERALL DIMENSIONS ADDED OUTLINE FOR RECOMMENDED CLEARANCES UPDATED INLET TREE	01/18/17	PREC017	MD	GES
E	ALL	ADDED LUBIN AND UPDATED TO SE10	1/9/18	PREC029	MM	GA



**LEGEND**

	RELIEF VALVE		PRESSURE SWITCH
	INTAKE FILTER		REGULATOR
	AIR FILTER		SEPARATOR
	3 WAY VALVE		CHECK VALVE
	CARBON FILTER		FLEX LINE
	BALL VALVE		HIGH TEMP SWITCH
			UNION

**NOTES:**  
 1) PIPING TO THE INLET BY OTHERS AND TO BE PER NFPA99 4-3.1.1.9(b)  
 2) INSTRUMENTS DOWN STREAM OF SOURCE VALVE TO BE SUPPLIED BY OTHERS.  
 3) IF LOW PRESSURE IS DETECTED ALARM WILL OCCUR

SYMBOL LEGEND ⊖ = MINUS DRAFT ⊕ = PLUS DRAFT HRC = HARDNESS ADDITIONAL CONTROL REQ'D BRINELL HARDNESS		Drawings to conform to the current revision of the following standards: ASME Y14.3 Multi and sectional view dsgs. Y14.9 Dimensioning and tolerancing	
TOLERANCES NOT SPECIFIED XX ± .01 XXX ± .005 .4 (REC.) ± .001		AUTOCAD REL2000 INCH DO NOT SCALE DRAWING FOR DIMENSIONS Sheet 2 of 2 SCALE 1:14	
CONFIDENTIAL DISCLOSURE This drawing is the property of POWEREX, INC. or the SCOTT FETZER COMPANY and subject to return on demand. Its contents are confidential and must not be copied or submitted to outside parties for use or examination.		DRAWN BY JBE	CHECKED BY AEK
MATERIAL N/A		APPROVED BY JA	DATE 3/2/15
PART NAME 7.5HP LAB SCROLL DUPLEX FLOW SCHEMATIC		DATE 3/2/15	
DWG NO LSD0754		SIZE D	