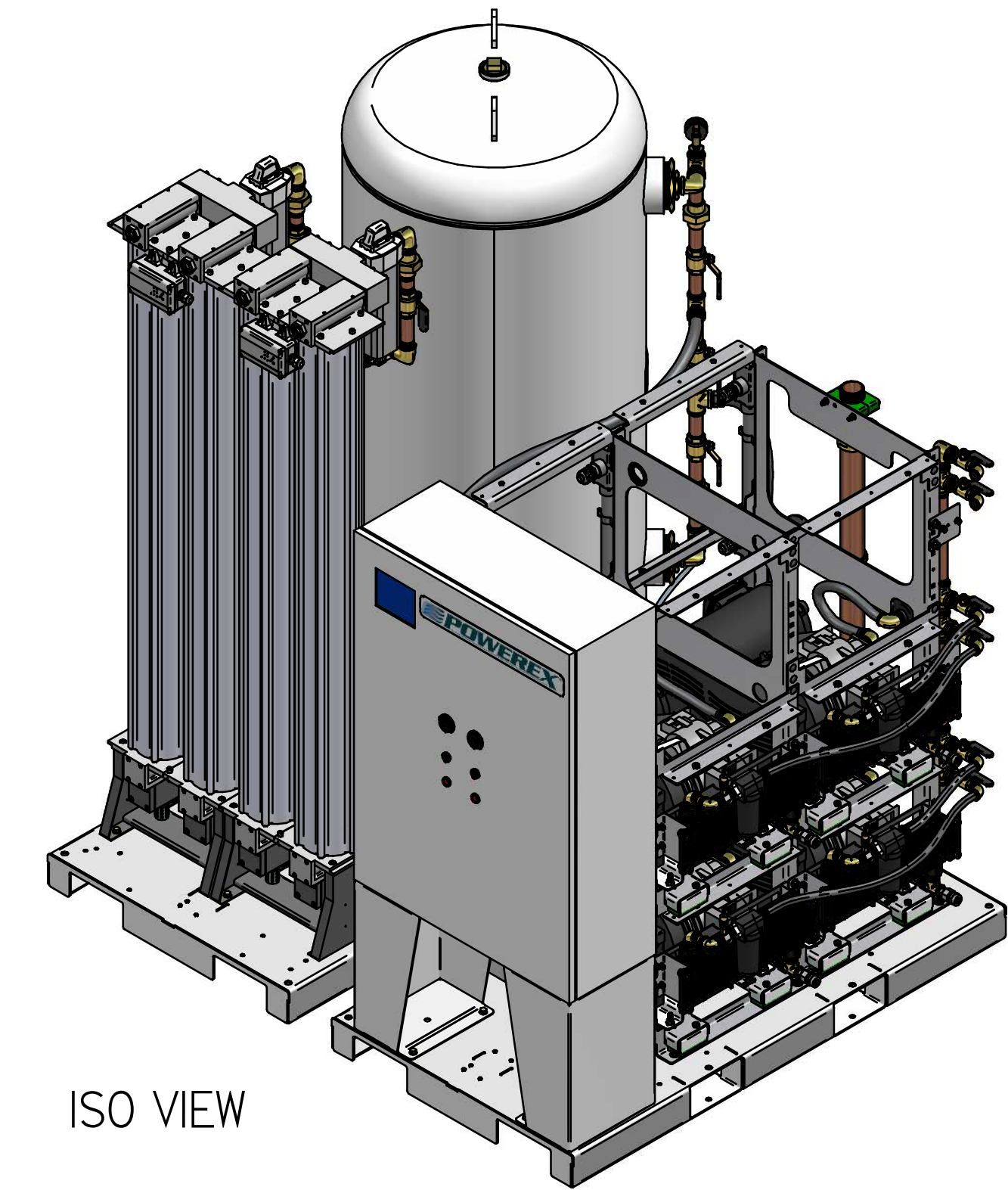
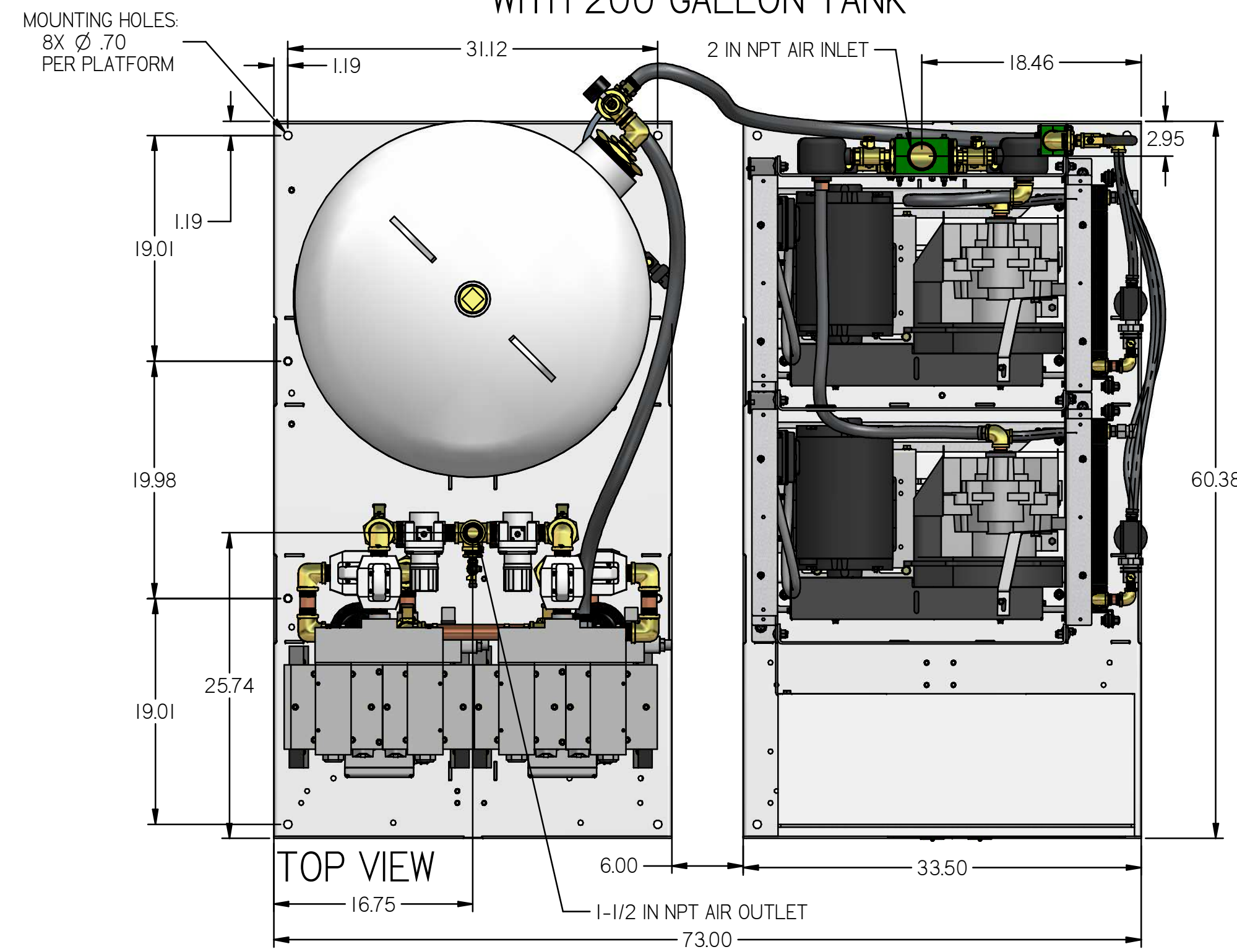


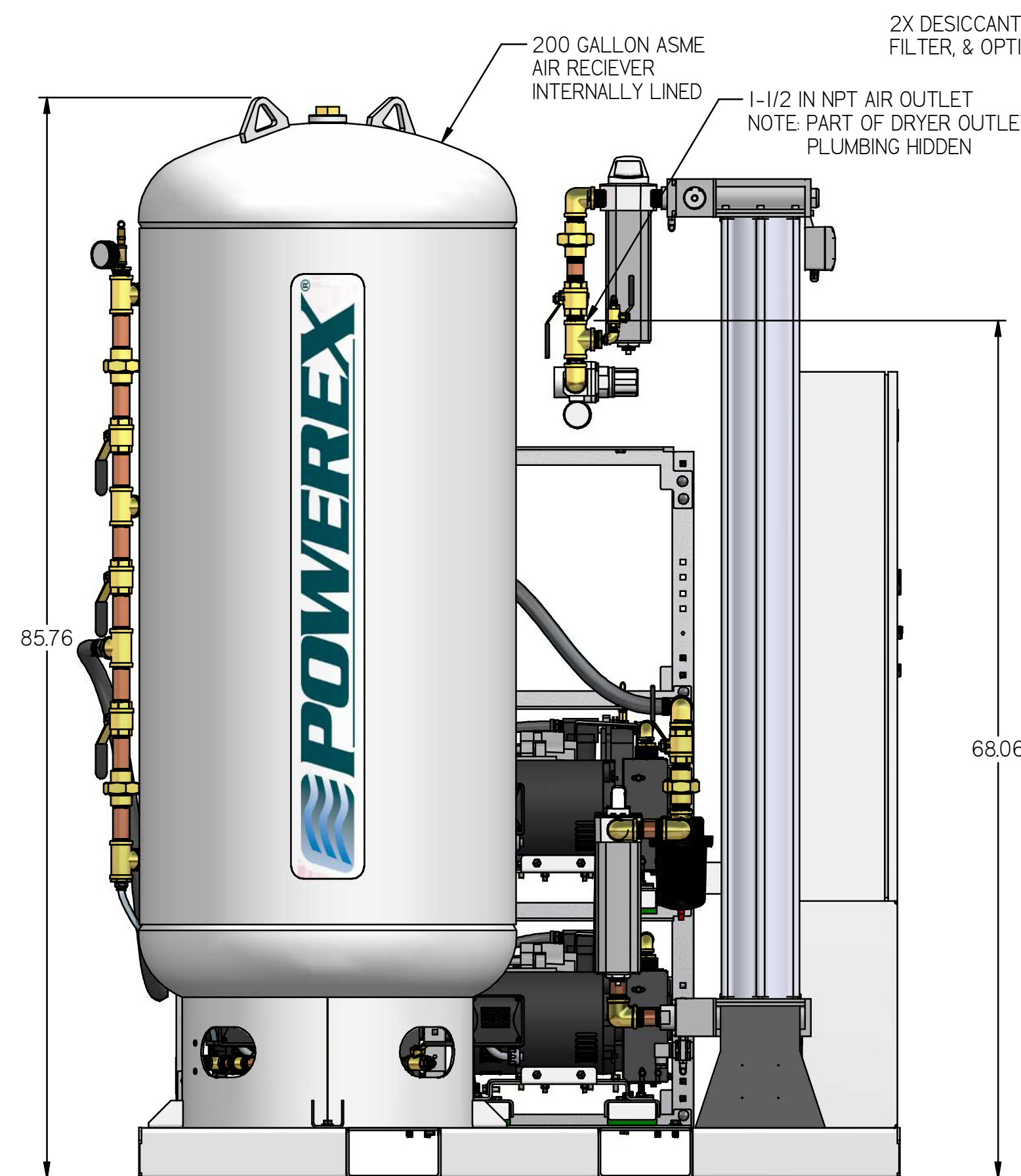
REVISION NOTES		
DESCRIPTION	ECN	PR/NOR
PRODUCTION RELEASE	PXEC0169	N/A

# LSD10A5-EX3

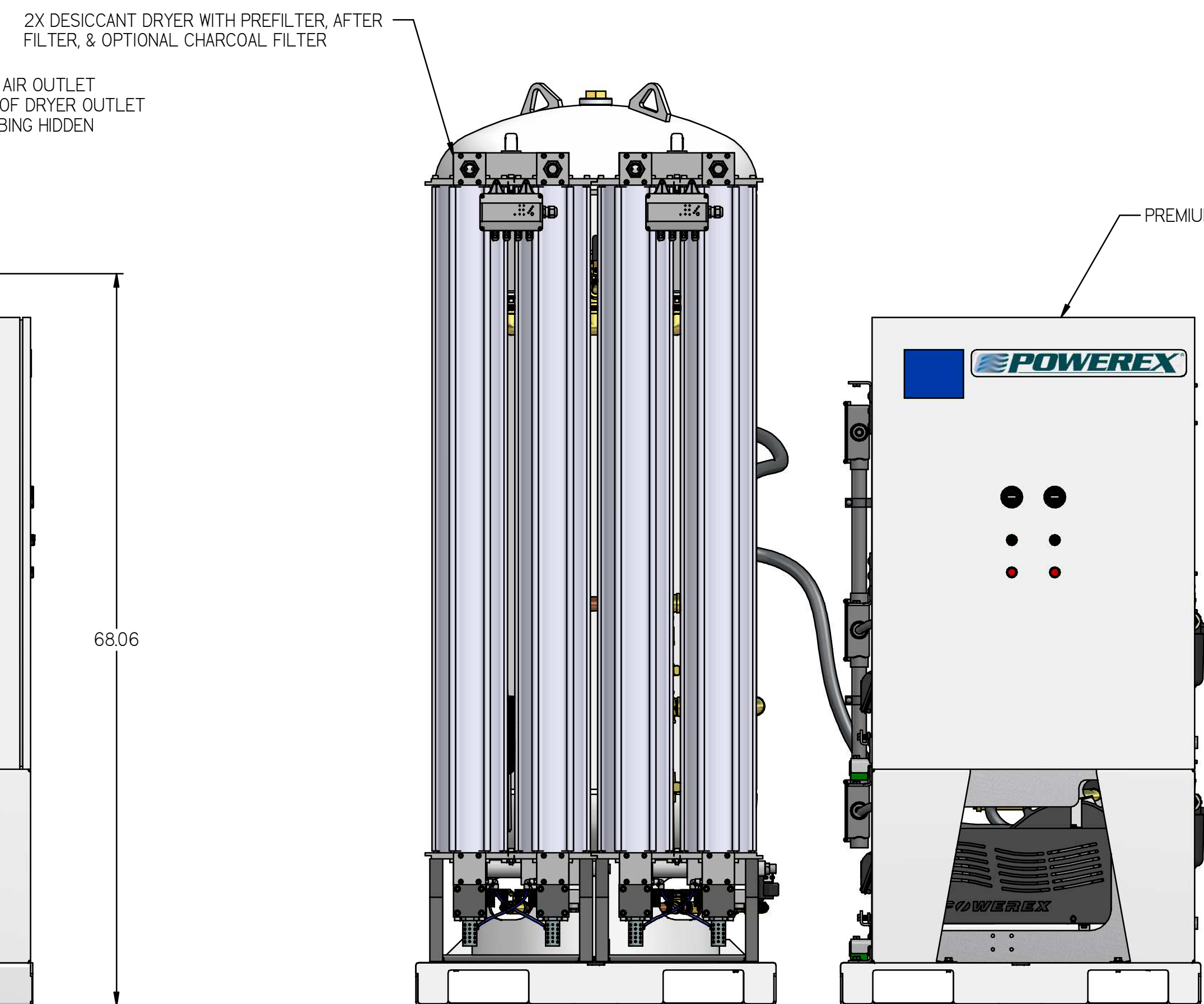
LAB OPEN SCROLL 10HP  
 DUPLEX EXPANDABLE TO TRI  
 WITH 200 GALLON TANK



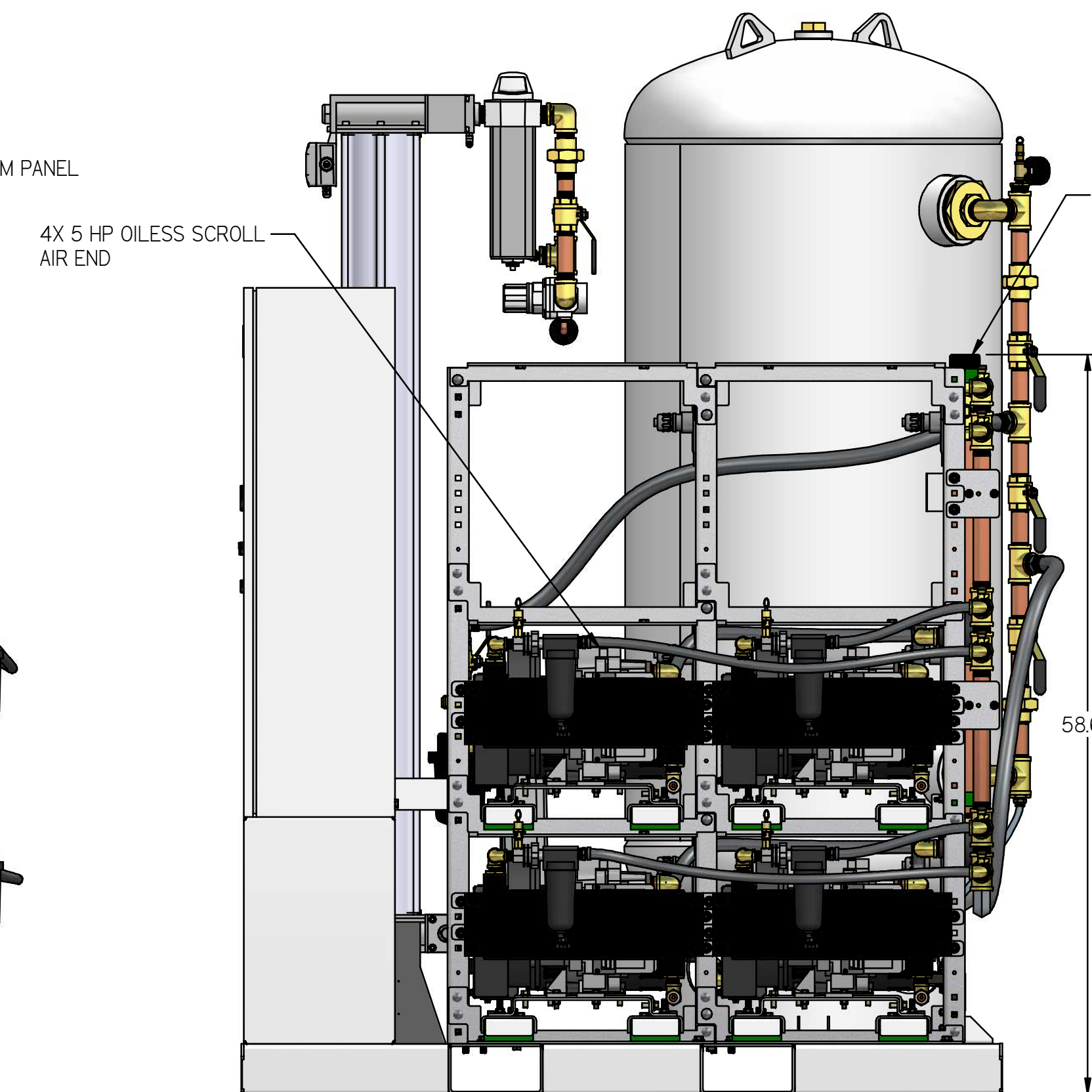
ISO VIEW



LEFT VIEW



FRONT VIEW



RIGHT VIEW

- NOTES:
- APPROX SYSTEM WEIGHT: 2271 LB
  - 24" MINIMUM MAINTENANCE CLEARANCE RECOMMENDED ALL SIDES. CLEARANCE FOR CONTROL PANEL SHALL BE IN ACCORDANCE WITH OSHA/NEC REQUIREMENTS

SYMBOL LEGEND		DRAWINGS TO CONFORM TO CURRENT REVISION OF THE FOLLOWING ANSI STANDARDS:	
TOLERANCES NOT SPECIFIED	SOLID EDGE DRAWING	1:4:3 MULTI AND SECTIONAL VIEW DIMS	1:4:5 DIMENSIONING AND TOLERANCING
0.XXX ± .01	DRAWING	DO NOT SCALE DRAWING FOR DIMENSIONS	SHEET 1 OF 4
0.XXX ± .005			
∠ ± .5	INCH	APPROVALS ON FILE IN PLM	
<small>CONFIDENTIAL DISCLOSURE</small> This drawing is the property of POWEREX of the SCOTT FETTER COMPANY and is subject to return on demand. Its contents are confidential and must not be copied or submitted to outside parties for use or examination.		AUTHOR	ORIGINATION DATE
TITLE: 716277 MATERIAL: SEE PART DRAWINGS		ASulek	10/31/2018
DESCRIPTION: LAB OPEN SCROLL 10HP DUPLEX EXPANDABLE TO TRI WITH 200 GALLON TANK		DRAWING NUMBER: LSD10A5-EX3	REVISION: B
		SIZE: B	D



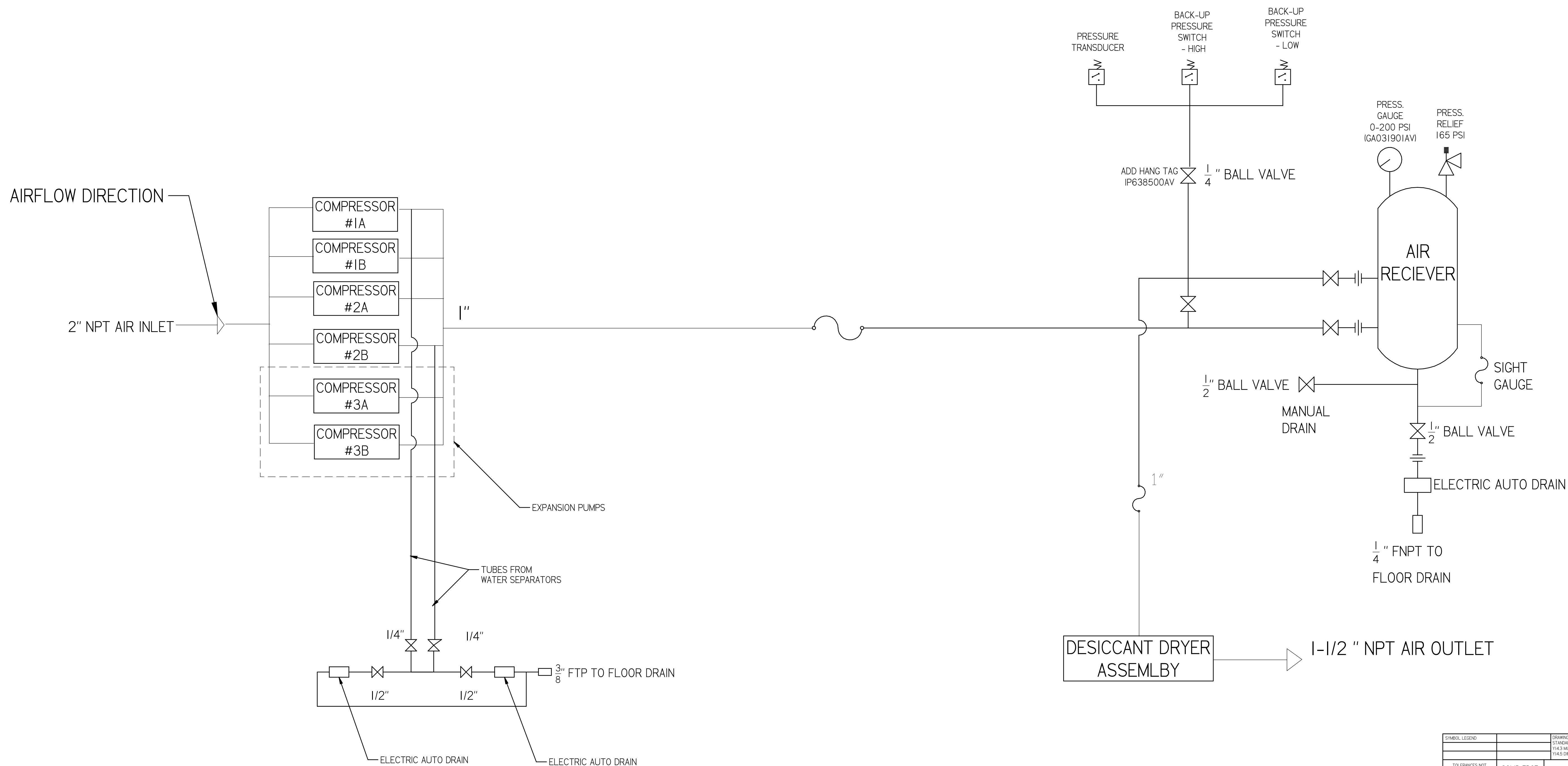


# LSD10A5-EX3

LAB OPEN SCROLL 10HP  
 DUPLEX EXPANDABLE TO TRI  
 WITH 200 GALLON TANK

FLOW DIAGRAM

REVISION NOTES		
DESCRIPTION	ECN	PR/NOR
PRODUCTION RELEASE	PXECO169	N/A

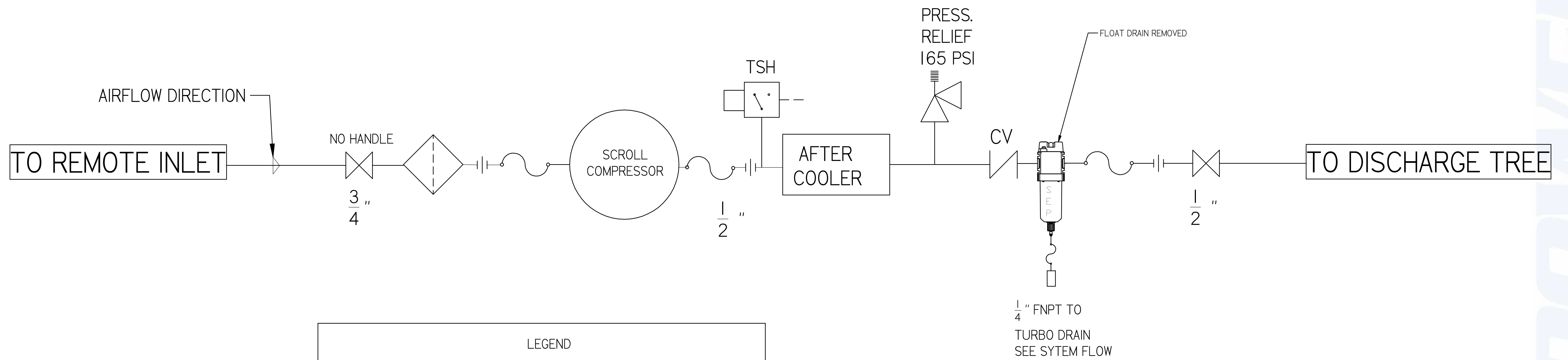


SYMBOL LEGEND		DRAWINGS TO CONFORM TO CURRENT REVISION OF THE FOLLOWING ANSI STANDARDS:	
		Y14.3 MULTI AND SECTIONAL VIEW DWGS	
		Y14.5 DIMENSIONING AND TOLERANCING	
TOLERANCES NOT SPECIFIED	SOLID EDGE DRAWING	DO NOT SCALE DRAWING FOR DIMENSIONS	
0.000 ± .01	INCH	SHEET 2 OF 4	SCALE 1:1
0.000 ± .005			
± .5			
<small>CONFIDENTIAL DISCLOSURE</small> This drawing is the property of POWEREX or the SCOTT FETTER COMPANY and is subject to return on demand. Its contents are confidential and must not be copied or submitted to outside parties for use or examination.		AUTHOR	APPROVALS ON FILE IN PLM
DRAWN BY: 716277 MATERIAL: SEE PART DRAWINGS		ORIGINATION DATE: 10/31/2018	
DESCRIPTION: LAB OPEN SCROLL 10HP DUPLEX EXPANDABLE TO TRI WITH 200 GALLON TANK			
DRAWING NUMBER: LSD10A5-EX3		REVISION: B	SIZE: D

REVISION NOTES		
DESCRIPTION	ECN	PR/NOR
PRODUCTION RELEASE	PXECO169	N/A

# LSD10A5-EX3

LAB OPEN SCROLL 10HP  
 DUPLEX EXPANDABLE TO TRI  
 WITH 200 GALLON TANK  
 LAB COMPRESSOR  
 FLOW DIAGRAM



LEGEND	
	RELIEF VALVE
	INTAKE FILTER
	AIR FILTER
	3 WAY VALVE
	CARBON FILTER
	BALL VALVE
	PRESSURE SWITCH
	REGULATOR
	SEPARATOR
	CHECK VALVE
	FLEX LINE
	TSH HIGH TEMP SWITCH

SYMBOL LEGEND		DRAWINGS TO CONFORM TO CURRENT REVISION OF THE FOLLOWING ANSI STANDARDS:	
TOLERANCES NOT SPECIFIED:		Y14.3 MULTI AND SECTIONAL VIEW DWGS	
0.0001 ± .01		Y14.5 DIMENSIONING AND TOLERANCING	
0.0001 ± .005		SHEET 3 OF 4	
± .5		SCALE 1:1	
CONFIDENTIAL DISCLOSURE This drawing is the property of POWEREX of the SCOTT FETTER COMPANY and is subject to return on demand. Its contents are confidential and must not be copied or submitted to outside parties for use or examination.		APPROVALS ON FILE IN PLM	
DRAWN BY: 716277		AUTHOR: ASoulek	
MATERIAL: SEE PART DRAWINGS		ORIGINATION DATE: 10/31/2018	
DESCRIPTION: LAB OPEN SCROLL 10HP DUPLEX EXPANDABLE TO TRI WITH 200 GALLON TANK		DRAWING NUMBER: LSD10A5-EX3	
		REVISION: B	
		SIZE: D	

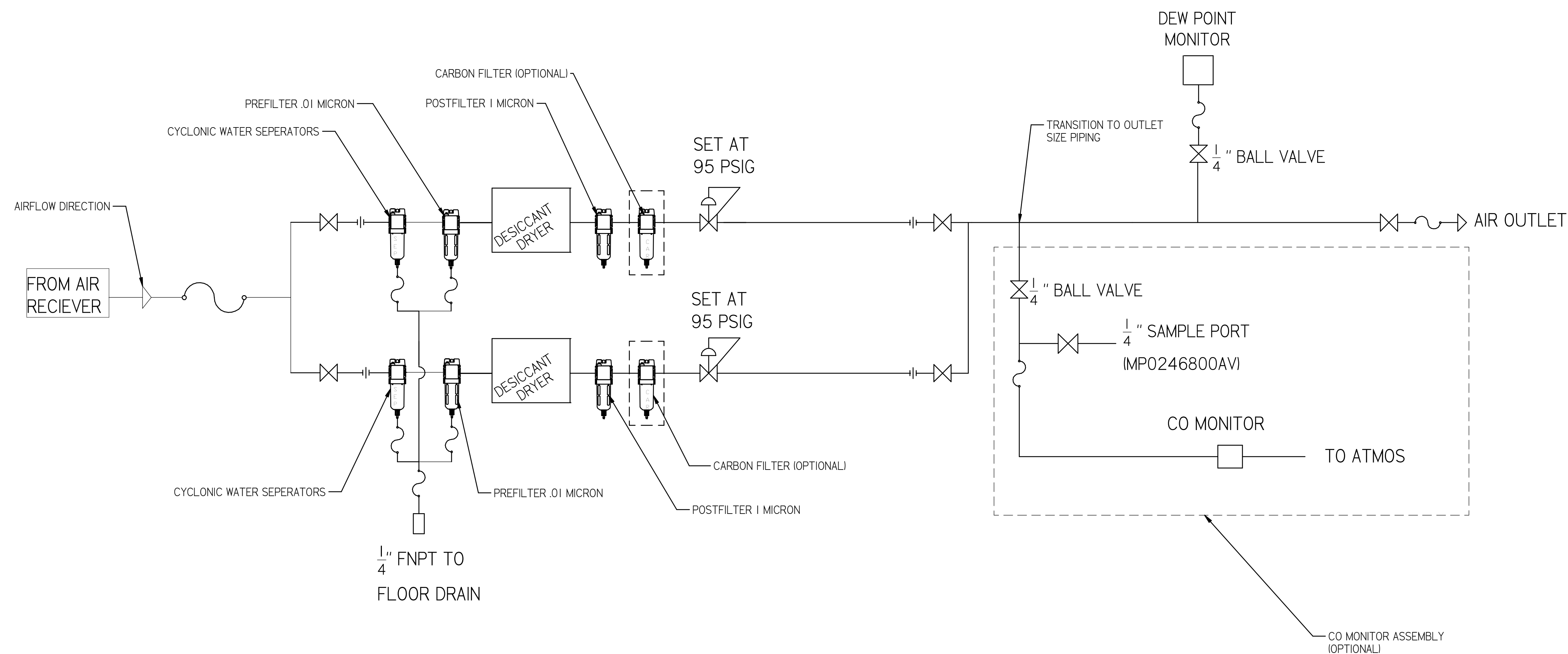
POWEREX

# LSD10A5-EX3

LAB OPEN SCROLL 10HP  
 DUPLEX EXPANDABLE TO TRI  
 WITH 200 GALLON TANK

## LAB DRYER FLOW DIAGRAM

REVISION NOTES		
DESCRIPTION	ECN	PR/NOR
PRODUCTION RELEASE	PXECO169	N/A



PIPE SIZE CHART		
PUMP COUNT	DRYER PLUMBING SIZE	OUTLET PIPE SIZE
2	1/2"	1/2"
3	1/2"	1"
4	1"	1-1/4"
6	1"	1-1/2"
8	1"	1-1/2"
9	1"	1-1/2"
12	1-1/2"	2"
15	1-1/2"	2"
18	1-1/2"	2"

SYMBOL LEGEND		DRAWINGS TO CONFORM TO CURRENT REVISION OF THE FOLLOWING ANSI STANDARDS: Y14.3 MULTI AND SECTIONAL VIEW DWGS Y14.5 DIMENSIONING AND TOLERANCING	
TOLERANCES NOT SPECIFIED	SOLID EDGE DRAWING	DO NOT SCALE DRAWING FOR DIMENSIONS	
0.XXX ± .01	INCH	SHEET 4 OF 4	SCALE 1:1
0.XXX ± .005			
± .5	CONFIDENTIAL DISCLOSURE This drawing is the property of POWEREX of the SCOTT FETTER COMPANY and is subject to return on demand. Its contents are confidential and must not be copied or submitted to outside parties for use or examination.	AUTHOR	ORIGINATION DATE
11/01/18	ASoulek	10/31/2018	APPROVALS ON FILE IN PLM
716277			
SEE PART DRAWINGS	ISO PRODUCTION DRIVE, HARRISON OH 45030 (888) 716-7277		
DESCRIPTION LAB OPEN SCROLL 10HP DUPLEX EXPANDABLE TO TRI WITH 200 GALLON TANK	DRAWING NUMBER LSD10A5-EX3	REVISION B	SIZE D