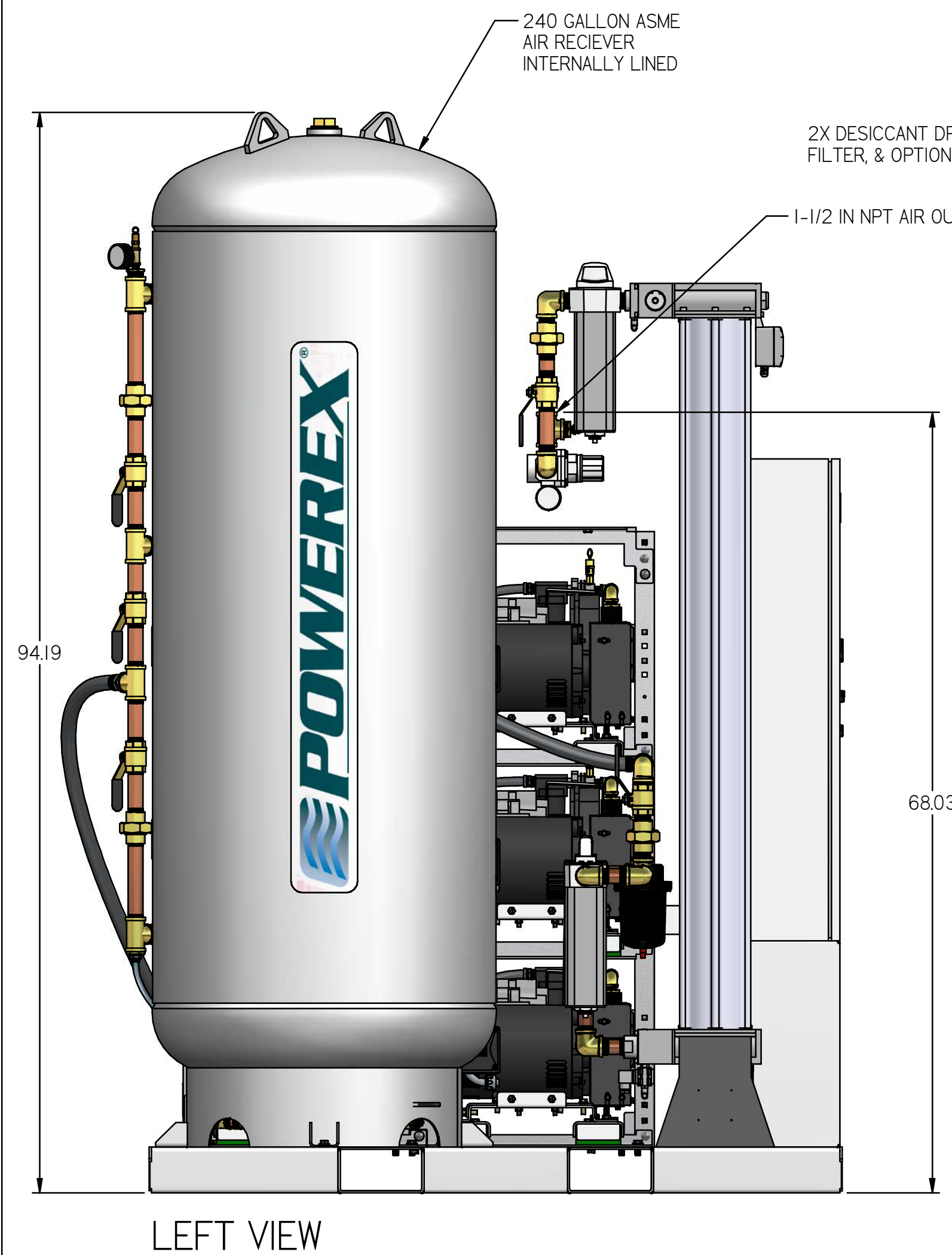
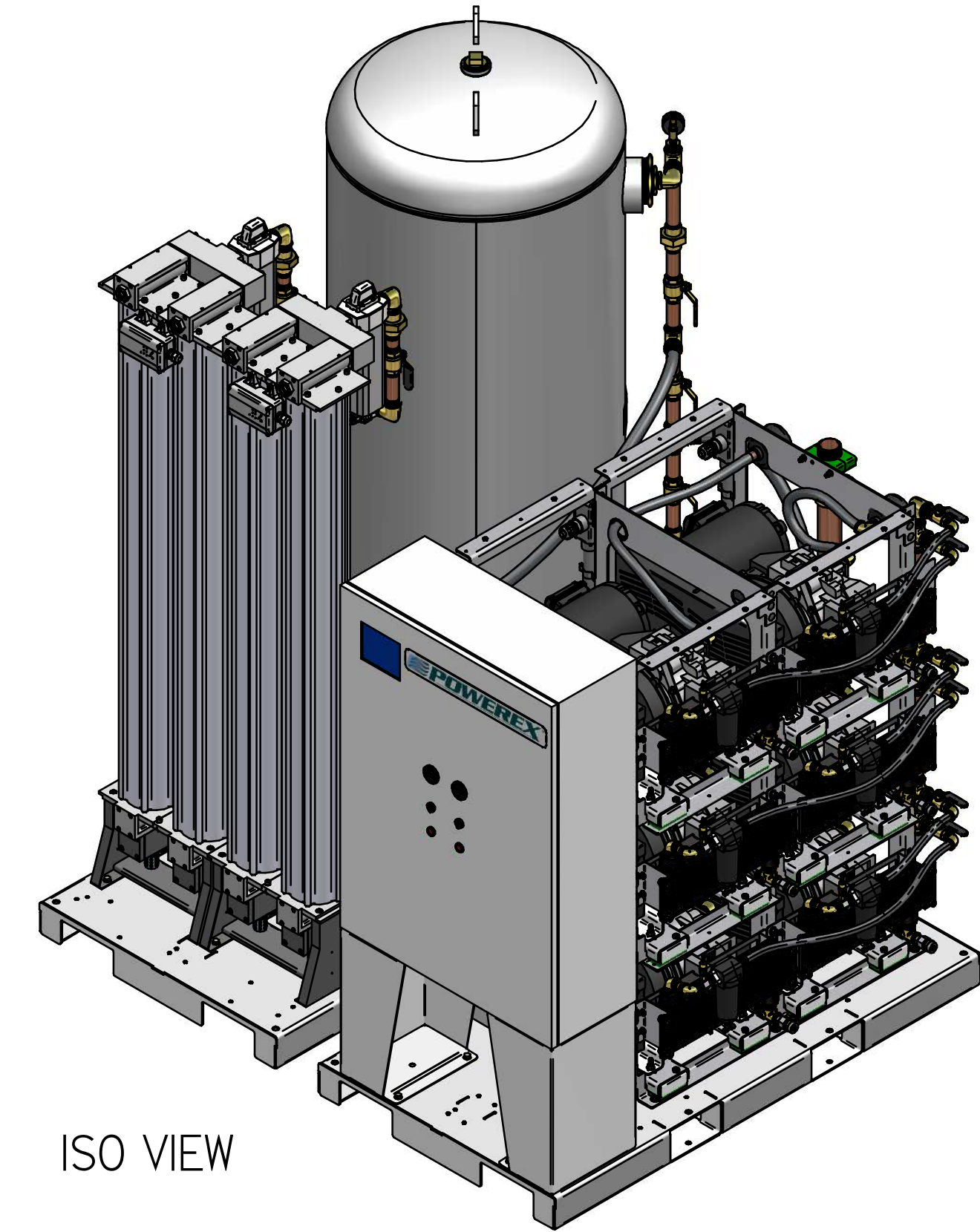
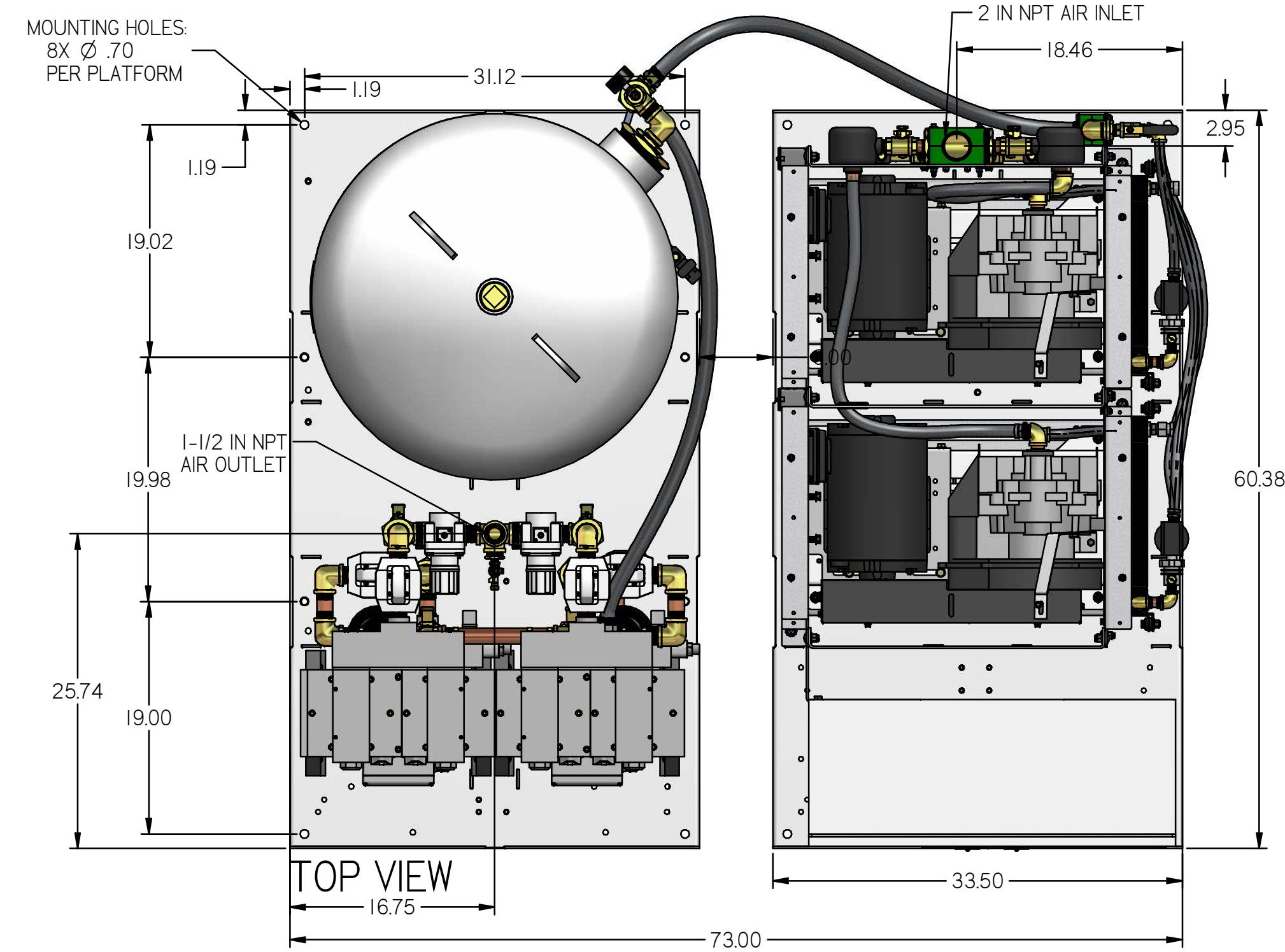


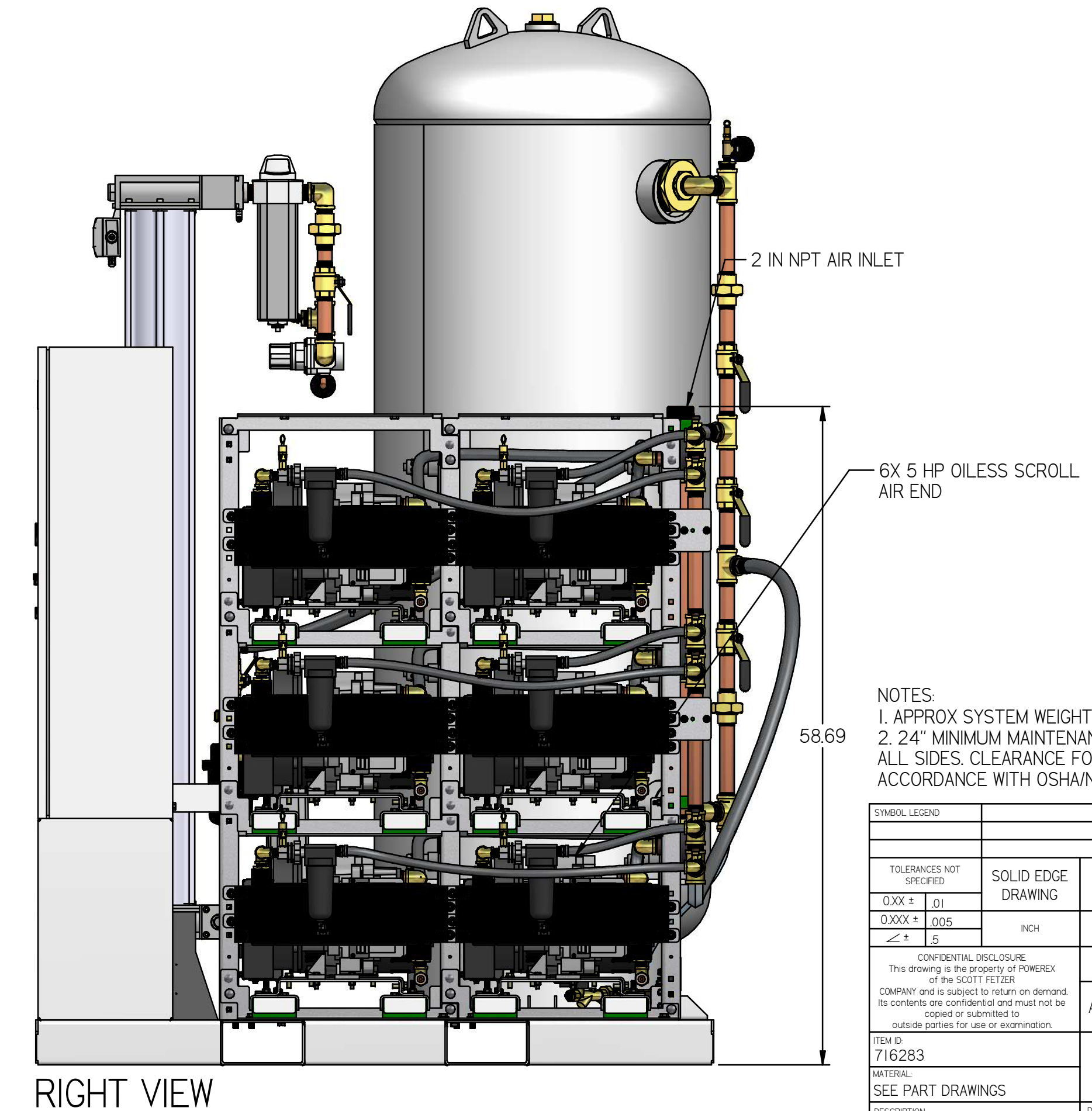
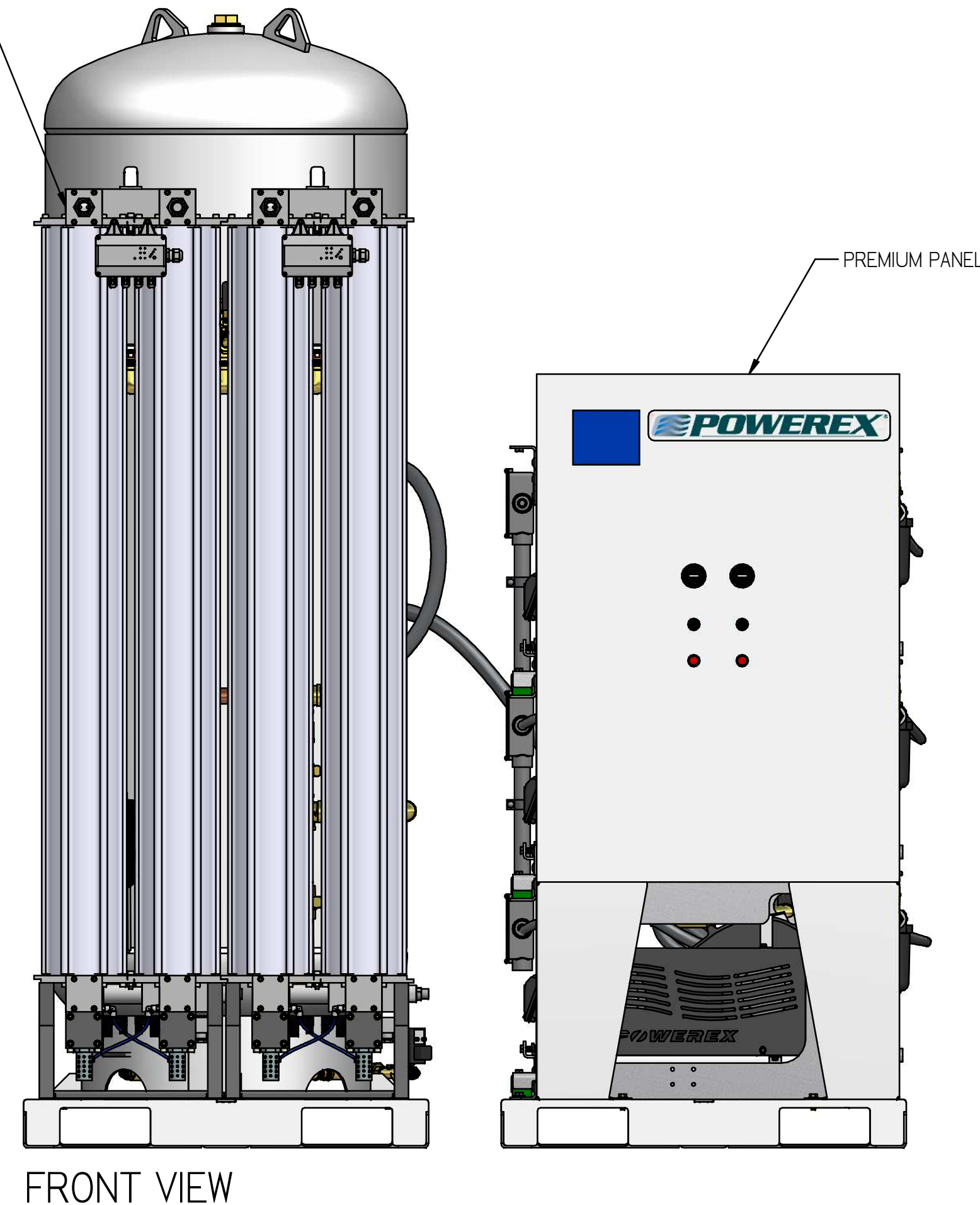
REVISION NOTES		
DESCRIPTION	ECN	PR/NOR
PRODUCTION RELEASE	PXEC0169	N/A

LSDI5A6

LAB OPEN SCROLL 15HP TRIPLEX WITH 240 GALLON TANK



2X DESICCANT DRYER WITH PREFILTER, AFTER FILTER, & OPTIONAL CHARCOAL FILTER



- NOTES
- APPROX SYSTEM WEIGHT: 3342 LB
 - 2.24" MINIMUM MAINTENANCE CLEARANCE RECOMMENDED ALL SIDES. CLEARANCE FOR CONTROL PANEL SHALL BE IN ACCORDANCE WITH OSHA/NEC REQUIREMENTS

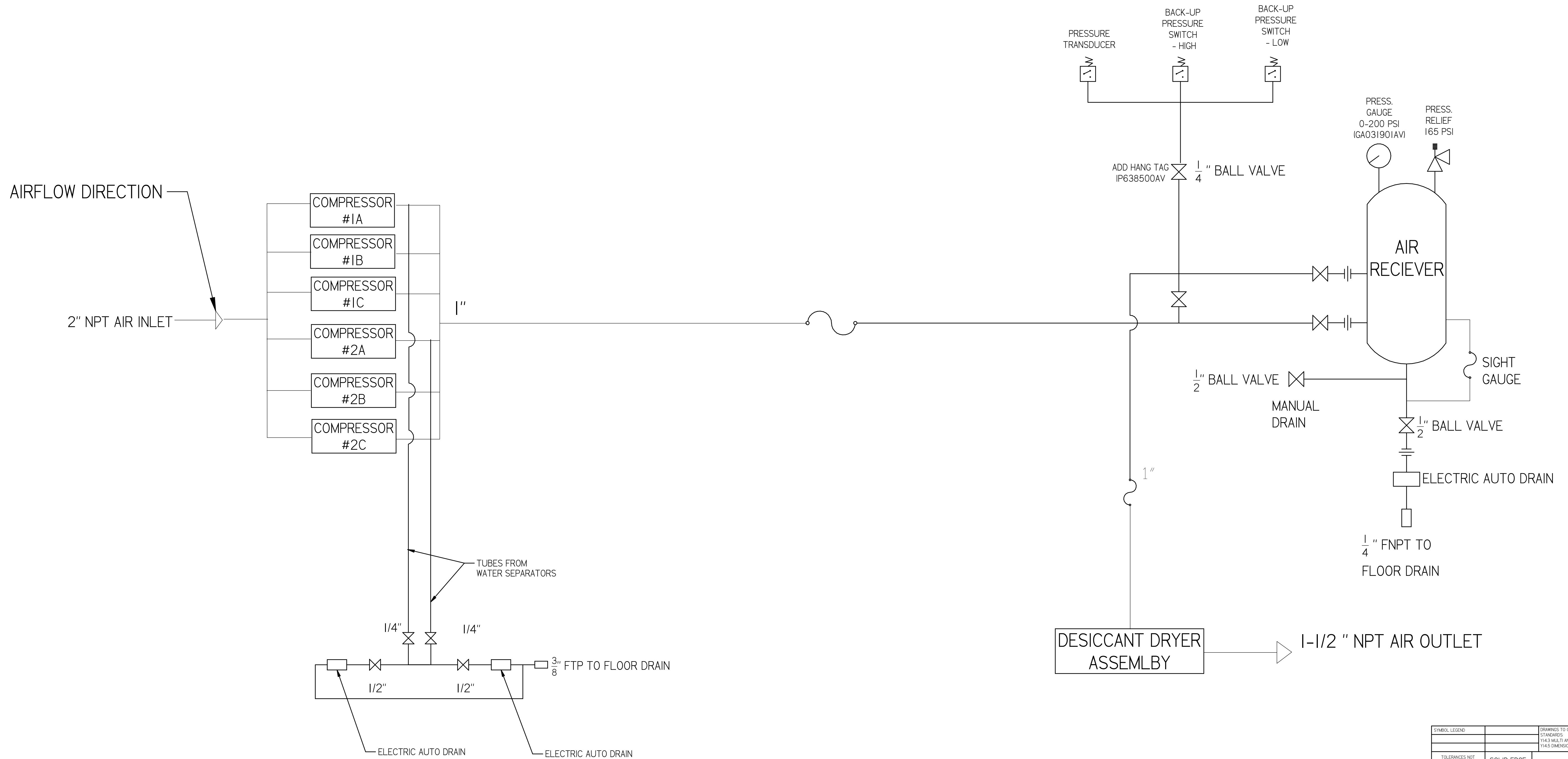
SYMBOL LEGEND		DRAWINGS TO CONFORM TO CURRENT REVISION OF THE FOLLOWING ANSI STANDARDS:		
TOLERANCES NOT SPECIFIED	SOLID EDGE DRAWING	DO NOT SCALE DRAWING FOR DIMENSIONS		
0.00X ± .01	INCH	SHEET 1 OF 4	SCALE	1:10
0.00X ± .005				
CONFIDENTIAL DISCLOSURE		AUTHOR	ORIGINATION DATE	APPROVALS ON FILE IN PLM
This drawing is the property of POWEREX of the SCOTT FETTER COMPANY and is subject to return on demand. Its contents are confidential and must not be copied or submitted to outside parties for use or examination.		ASoulek	10/31/2018	
FIGURE: 716283				
MATERIAL: SEE PART DRAWINGS				
DESCRIPTION: LAB OPEN SCROLL 15HP TRIPLEX WITH 240 GALLON TANK	DRAWING NUMBER: LSDI5A6	REVISION: B	SIZE: D	

REVISION NOTES		
DESCRIPTION	ECN	PR/NOR
PRODUCTION RELEASE	PXECO169	N/A

LSDI5A6

LAB OPEN SCROLL 15HP
TRIPLEX WITH 240 GALLON
TANK

FLOW DIAGRAM

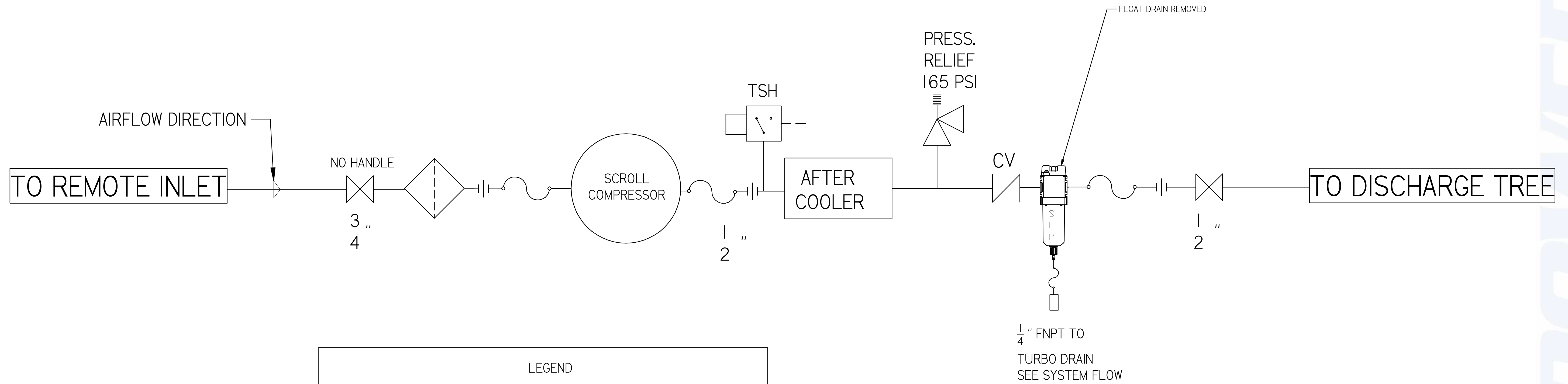


SYMBOL LEGEND		DRAWINGS TO CONFORM TO CURRENT REVISION OF THE FOLLOWING ANSI STANDARDS:	
		Y14.3 MULTI-VIEW AND SECTIONAL VIEW DWGS	
		Y14.5 DIMENSIONING AND TOLERANCING	
TOLERANCES NOT SPECIFIED	SOLID EDGE DRAWING	DO NOT SCALE DRAWING FOR DIMENSIONS	
0.000 ± .01	INCH	SHEET 2 OF 4	SCALE 1:1
0.000 ± .005			
∠ ± .5			
<small>CONFIDENTIAL DISCLOSURE</small> This drawing is the property of POWEREX or the SCOTT FETTER COMPANY and is subject to return on demand. Its contents are confidential and must not be copied or submitted to outside parties for use or examination.		AUTHOR	APPROVALS ON FILE IN PLM
DRAWN BY: 716283		ORIGINATION DATE	10/31/2018
MATERIAL: SEE PART DRAWINGS			
DESCRIPTION: LAB OPEN SCROLL 15HP TRIPLEX WITH 240 GALLON TANK		DRAWING NUMBER	LSDI5A6
		REVISION	B
		SIZE	D

REVISION NOTES		
DESCRIPTION	ECN	PR/NOR
PRODUCTION RELEASE	PXECO169	N/A

LSDI5A6

LAB OPEN SCROLL 15HP
TRIPLEX WITH 240 GALLON
TANK
LAB COMPRESSOR
FLOW DIAGRAM



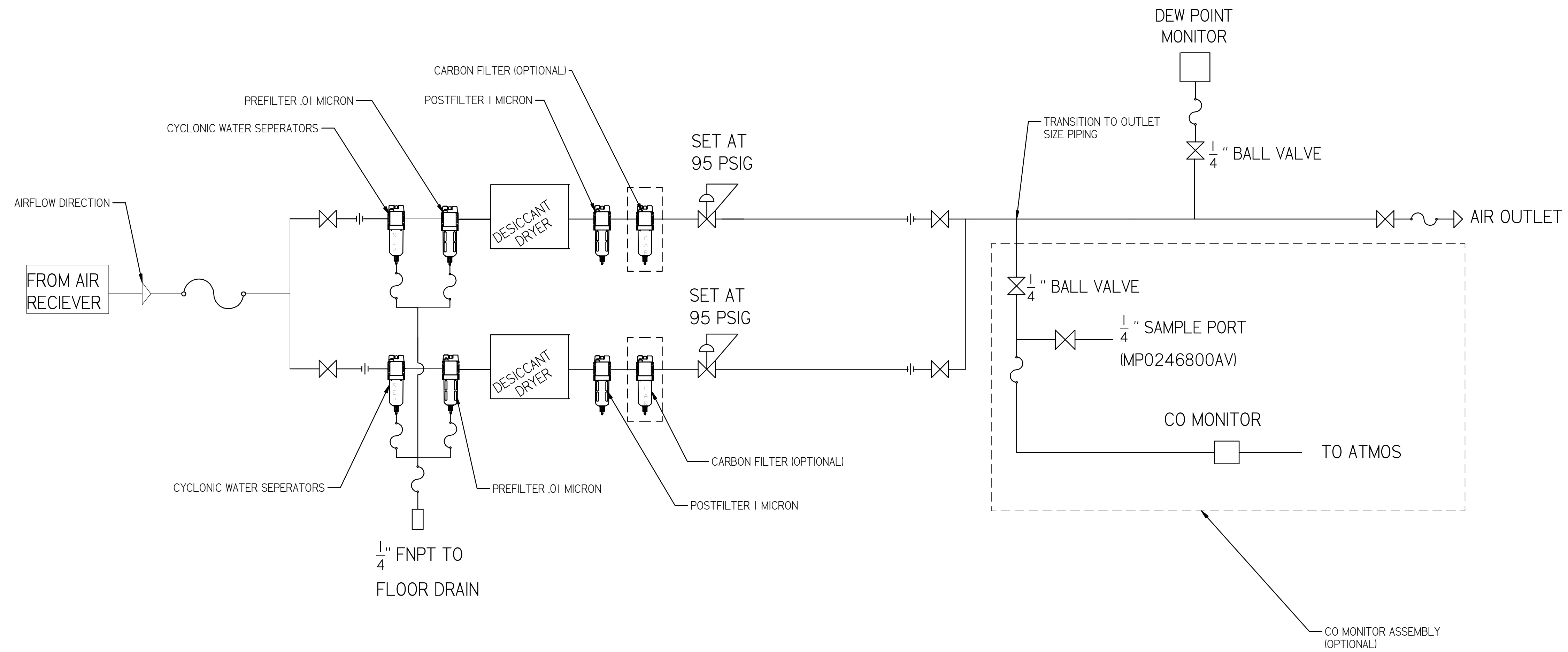
LEGEND	
	RELIEF VALVE
	INTAKE FILTER
	AIR FILTER
	3 WAY VALVE
	CARBON FILTER
	BALL VALVE
	PRESSURE SWITCH
	REGULATOR
	SEPARATOR
	CHECK VALVE
	FLEX LINE
	TSH HIGH TEMP SWITCH

SYMBOL LEGEND		DRAWINGS TO CONFORM TO CURRENT REVISION OF THE FOLLOWING ANSI STANDARDS:	
TOLERANCES NOT SPECIFIED:		Y14.3 MULTI AND SECTIONAL VIEW DWGS	
0.001 ± .01	SOLID EDGE DRAWING	DO NOT SCALE DRAWING FOR DIMENSIONS	
0.0005 ± .005		SHEET 3 OF 4	SCALE 1:1
CONFIDENTIAL DISCLOSURE This drawing is the property of POWEREX of the SCOTT FETTER COMPANY and is subject to return on demand. Its contents are confidential and must not be copied or submitted to outside parties for use or examination.		AUTHOR	APPROVALS ON FILE IN PLM
DRAWN BY: 716283		ASoulek	10/31/2018
MATERIAL: SEE PART DRAWINGS			
DESCRIPTION: LAB OPEN SCROLL 15HP TRIPLEX WITH 240 GALLON TANK		DRAWING NUMBER: LSDI5A6	REVISION: B
			SIZE: D


REVISION NOTES		
DESCRIPTION	ECN	PR/NOR
PRODUCTION RELEASE	PXECO169	N/A

LSDI5A6

LAB OPEN SCROLL 15HP
TRIPLEX WITH 240 GALLON
TANK
LAB DRYER
FLOW DIAGRAM



PUMP COUNT	DRYER PLUMBING SIZE	OUTLET PIPE SIZE
2	1/2"	1/2"
3	1/2"	1"
4	1"	1-1/4"
6	1"	1-1/2"
8	1"	1-1/2"
9	1"	1-1/2"
12	1-1/2"	2"
15	1-1/2"	2"
18	1-1/2"	2"

SYMBOL LEGEND		DRAWINGS TO CONFORM TO CURRENT REVISION OF THE FOLLOWING ANSI STANDARDS: Y14.3 MULTI AND SECTIONAL VIEW DWGS Y14.5 DIMENSIONING AND TOLERANCING	
TOLERANCES NOT SPECIFIED	SOLID EDGE DRAWING	DO NOT SCALE DRAWING FOR DIMENSIONS	
0.XXX ± .01	INCH	SHEET 4 OF 4	SCALE 1:1
0.XXX ± .005			
± .5			
<small>CONFIDENTIAL DISCLOSURE</small> This drawing is the property of POWEREX or the SCOTT FETTER COMPANY and is subject to return on demand. Its contents are confidential and must not be copied or submitted to outside parties for use or examination.		AUTHOR	APPROVALS ON FILE IN PLM
TITLE: 716283 MATERIAL: SEE PART DRAWINGS		ASoulek	10/31/2018
DESCRIPTION: LAB OPEN SCROLL 15HP TRIPLEX WITH 240 GALLON TANK		 150 PRODUCTION DRIVE, HARRISON OH 45030 (938) 768-7079	
DRAWING NUMBER: LSDI5A6		REVISION: B	SIZE: D

