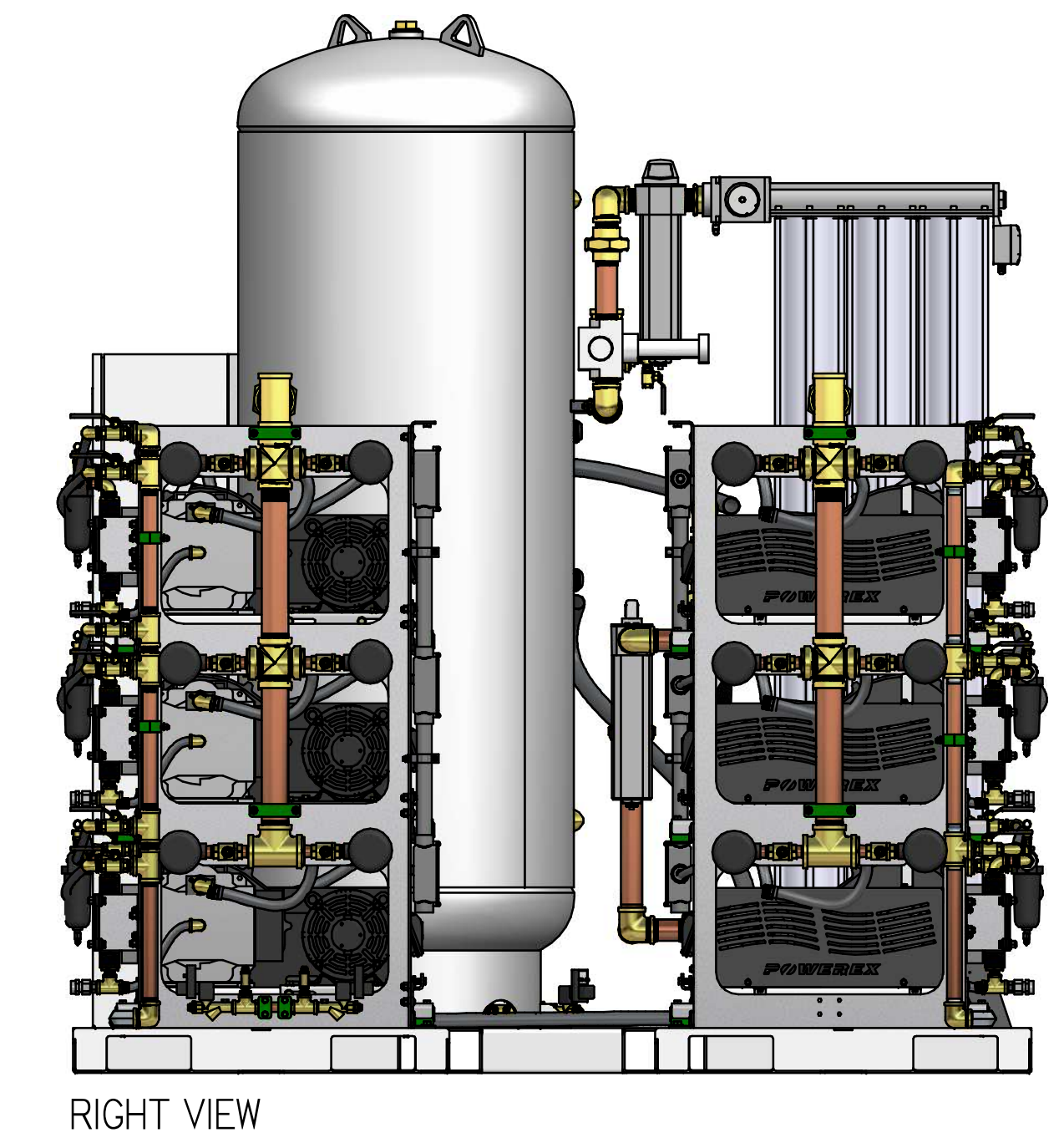
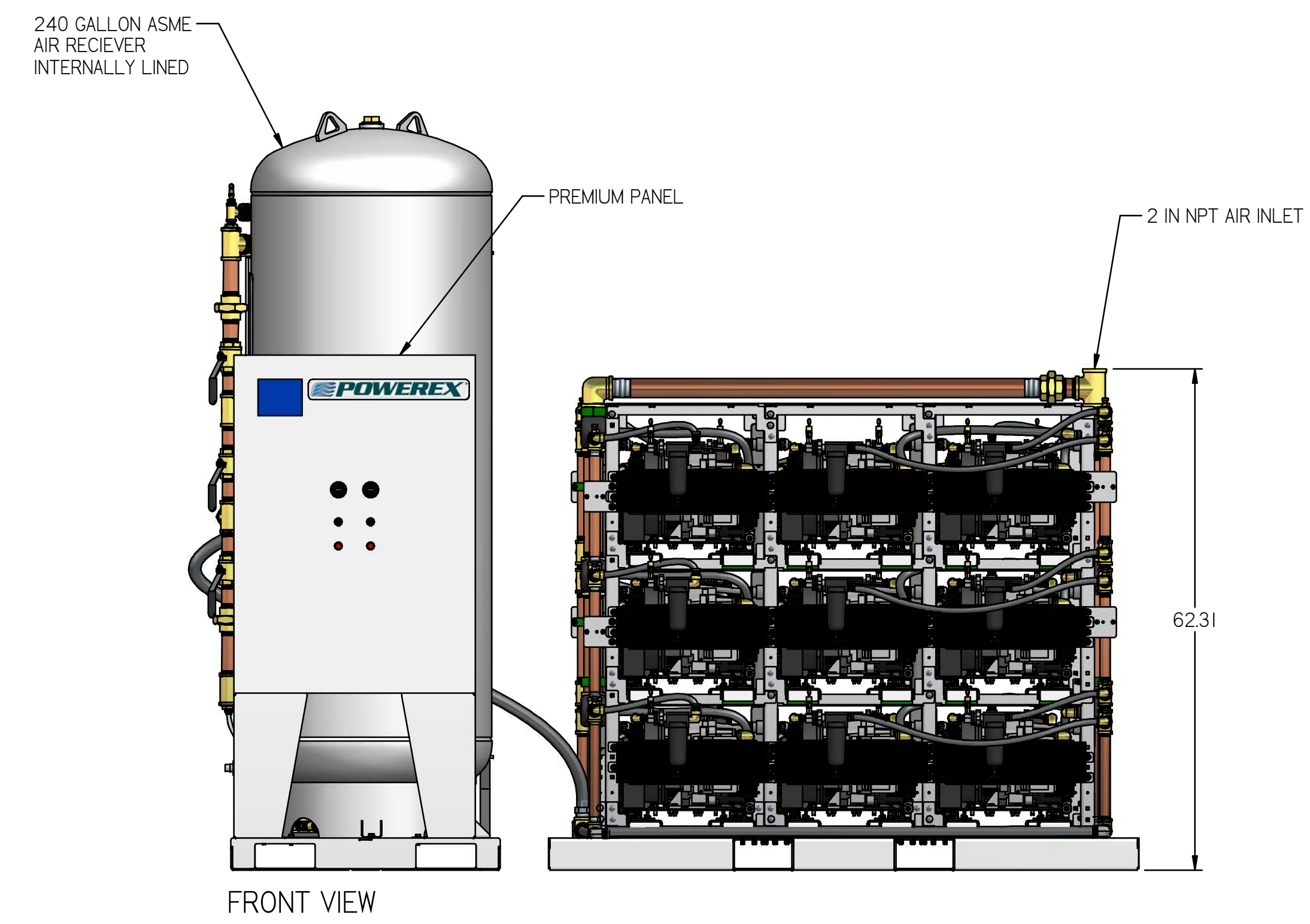
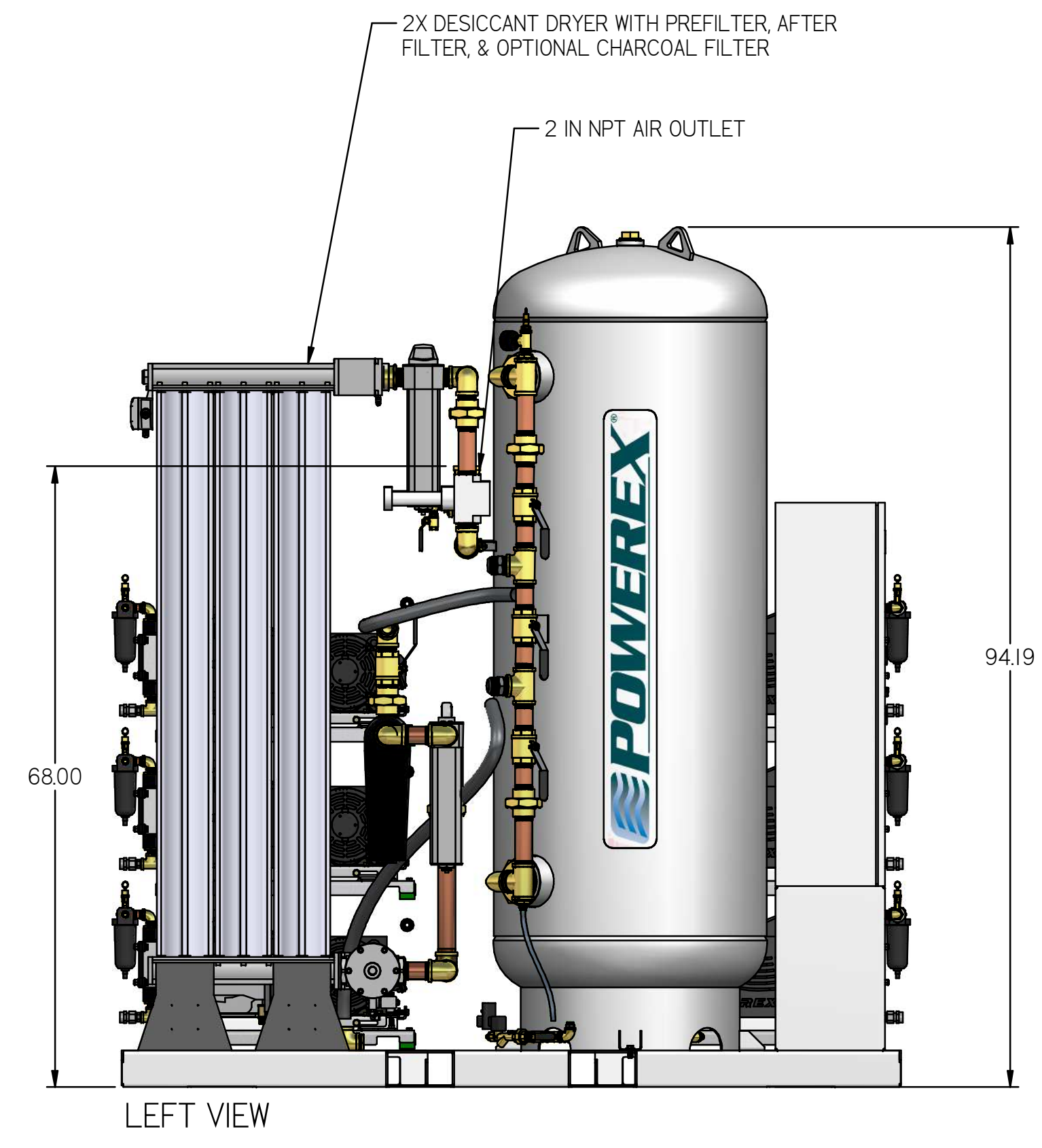
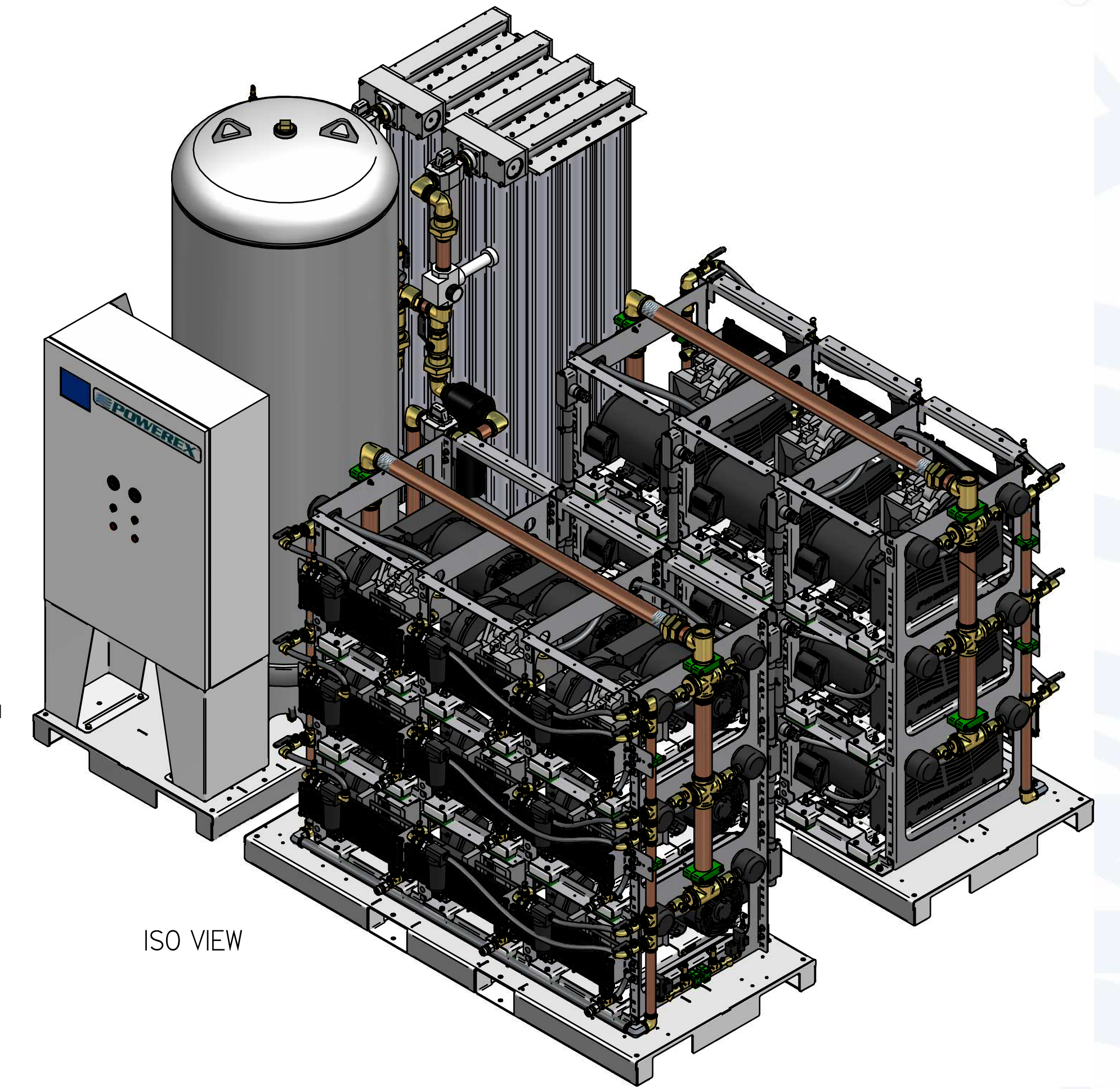
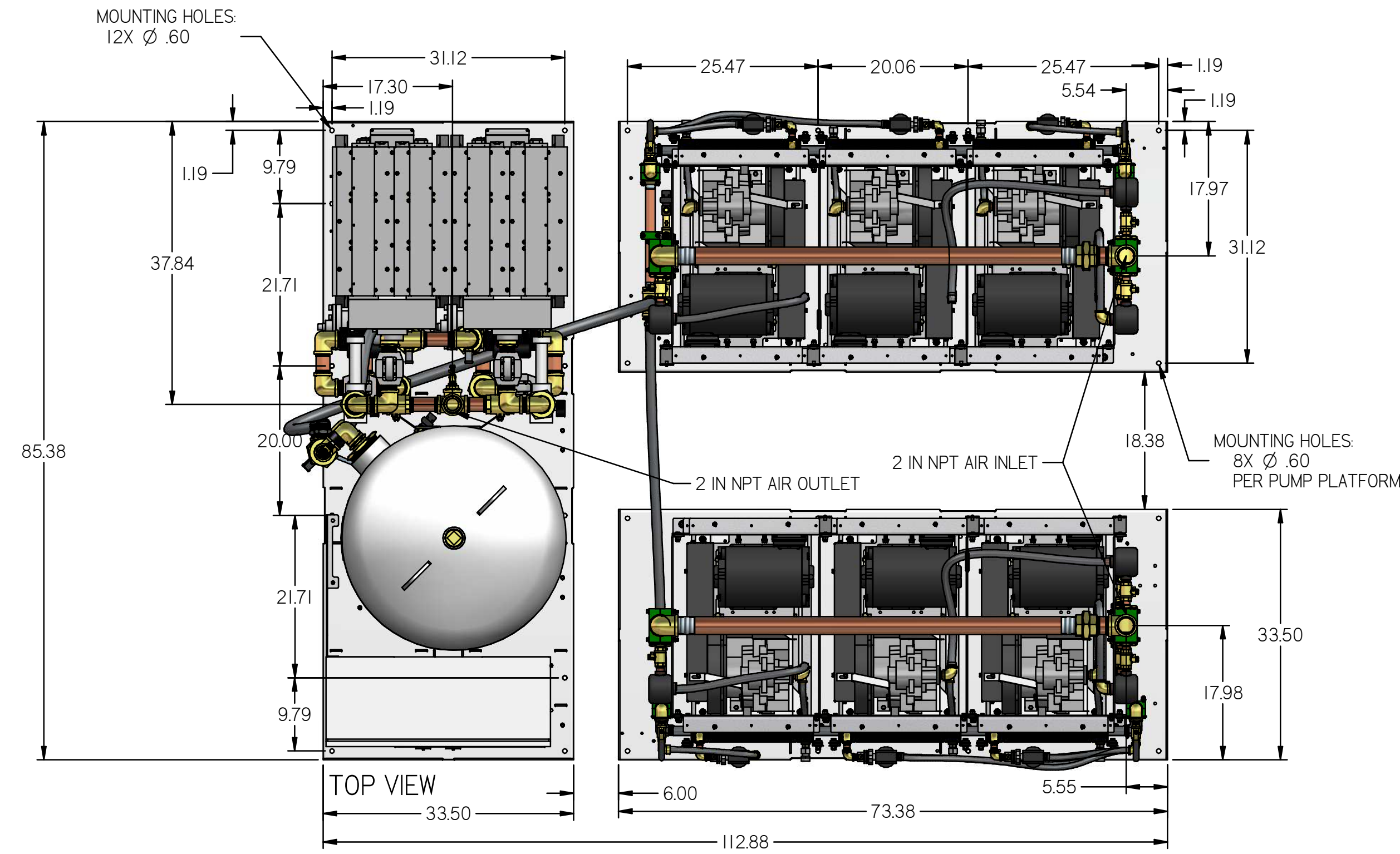


REVISION NOTES		
DESCRIPTION	ECN	PR/NOR
PRODUCTION RELEASE	PXECO169	N/A

# LSHI5A6

LAB SCROLL 15 HP  
HEXAPLEX WITH 240 GALLON  
AIR RECIEVER



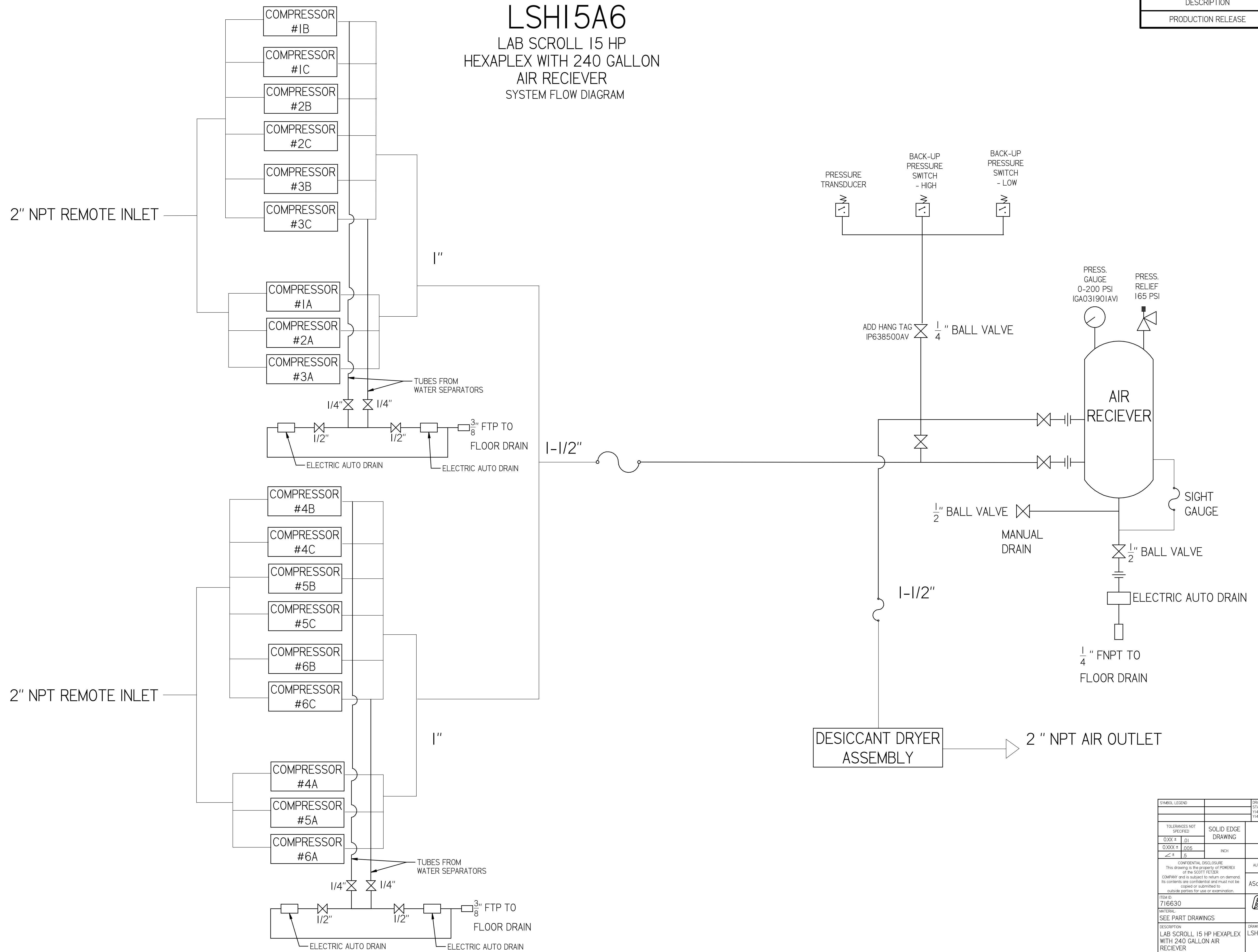
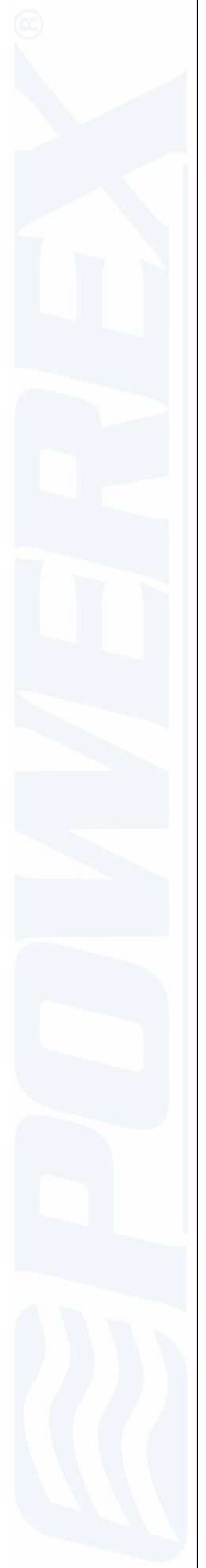
- NOTES:
- APPROX SYSTEM WEIGHT: 8019 LB
  - 24" MINIMUM MAINTENANCE CLEARANCE RECOMMENDED ALL SIDES. CLEARANCE FOR CONTROL PANELS SHALL BE IN ACCORDANCE WITH OSHA/NEC REQUIREMENTS

SYMBOL LEGEND		DRAWINGS TO CONFORM TO CURRENT REVISION OF THE FOLLOWING ANSI STANDARDS:	
TOLERANCES NOT SPECIFIED	SOLID EDGE DRAWING	DO NOT SCALE DRAWING FOR DIMENSIONS	
0.XXX ± .01	INCH	SHEET 1 OF 4	SCALE 1:14.29
0.XXX ± .005		APPROVALS ON FILE IN PLM	
± .5		AUTHOR	ORIGINATION DATE
CONFIDENTIAL DISCLOSURE: This drawing is the property of POWEREX of the SCOTT FETTER COMPANY and is subject to return on demand. Its contents are confidential and must not be copied or submitted to outside parties for use or examination.		ASoulek	10/31/2018
PART NUMBER: 716630			
MATERIAL: SEE PART DRAWINGS		150 PRODUCTION DRIVE, HARRISON OH 45030 888-768-7929	
DESCRIPTION: LAB SCROLL 15 HP HEXAPLEX WITH 240 GALLON AIR RECIEVER		DRAWING NUMBER: LSHI5A6	REVISION: B
		SIZE: B	D

REVISION NOTES		
DESCRIPTION	ECN	PR/NOR
PRODUCTION RELEASE	PXECO169	N/A

# LSHI5A6

LAB SCROLL 15 HP  
HEXAPLEX WITH 240 GALLON  
AIR RECIEVER  
SYSTEM FLOW DIAGRAM

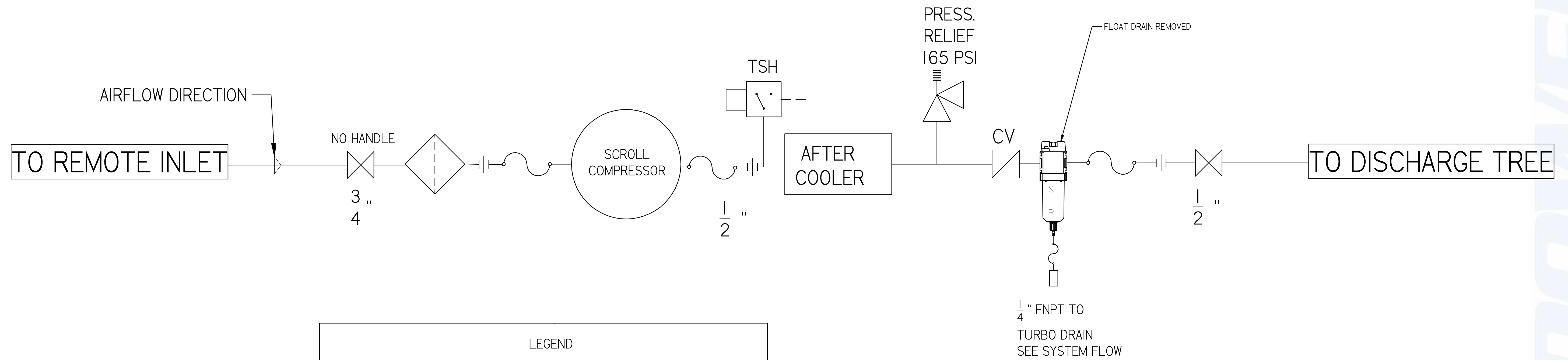


SYMBOL LEGEND		DRAWINGS TO CONFORM TO CURRENT REVISION OF THE FOLLOWING ANSI STANDARDS:	
		Y14.3 MULTI AND SECTIONAL VIEW DWGS	
		Y14.5 DIMENSIONING AND TOLERANCING	
TOLERANCES NOT SPECIFIED	SOLID EDGE DRAWING	DO NOT SCALE DRAWING FOR DIMENSIONS	
0.XXX ± .01		SHEET 2 OF 4	SCALE 1:1
0.XXX ± .005	INCH		
± .5			
<small>CONFIDENTIAL DISCLOSURE</small> This drawing is the property of POWEREX of the SCOTT FETTER COMPANY and is subject to return on demand. Its contents are confidential and must not be copied or submitted to outside parties for use or examination.		AUTHOR	APPROVALS ON FILE IN PLM
ITEM # 716630 MATERIAL SEE PART DRAWINGS		ASoulek	10/31/2018
DRAWING NUMBER LSHI5A6 REVISION B SIZE D			

REVISION NOTES		
DESCRIPTION	ECN	PR/NOR
PRODUCTION RELEASE	PXECO169	N/A

# LSHI5A6

LAB SCROLL 15 HP  
HEXAPLEX WITH 240 GALLON  
AIR RECIEVER  
LAB COMPRESSOR  
FLOW DIAGRAM



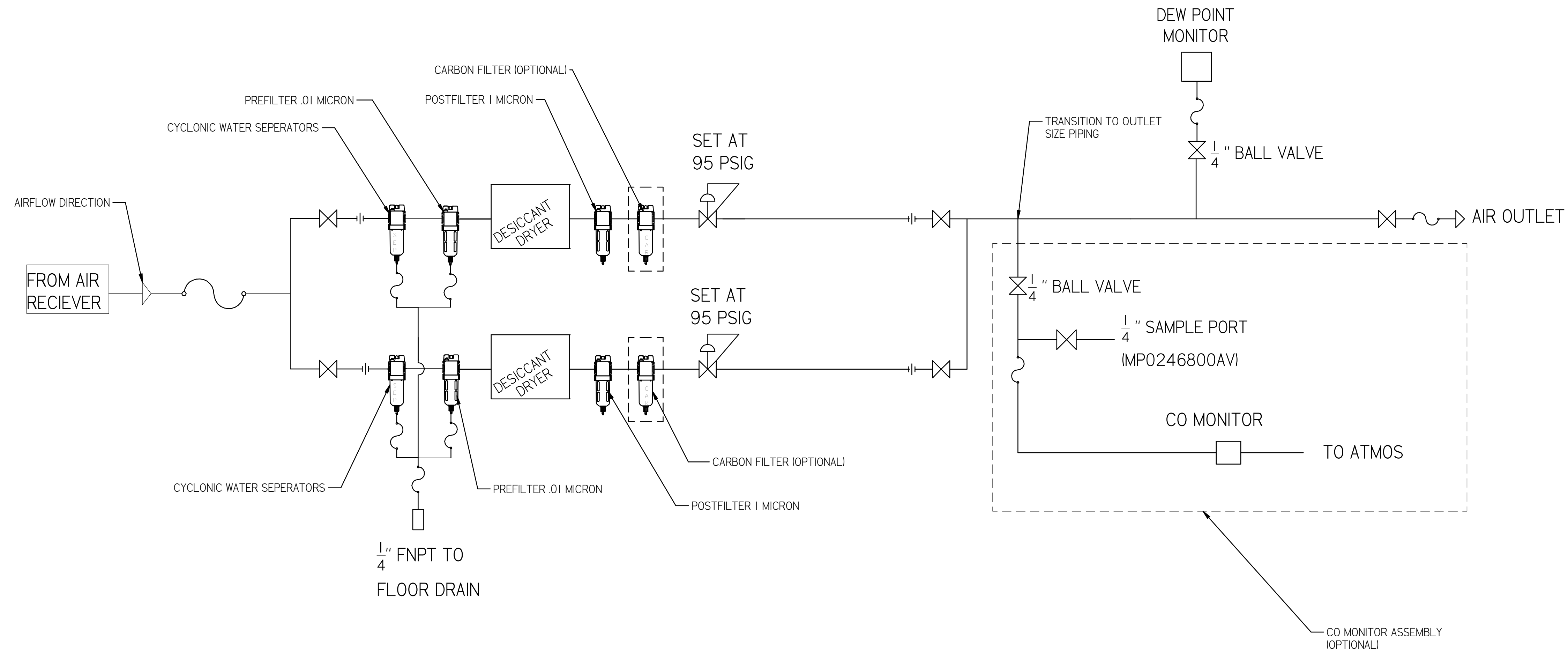
LEGEND	
	RELIEF VALVE
	INTAKE FILTER
	AIR FILTER
	3 WAY VALVE
	CARBON FILTER
	BALL VALVE
	PRESSURE SWITCH
	REGULATOR
	SEPARATOR
	CHECK VALVE
	FLEX LINE
	TSH HIGH TEMP SWITCH

SYMBOL LEGEND		DRAWINGS TO CONFORM TO CURRENT REVISION OF THE FOLLOWING ANSI STANDARDS:	
TOLERANCES NOT SPECIFIED		Y14.3 MULTI AND SECTIONAL VIEW DWGS Y14.5 DIMENSIONING AND TOLERANCING	
0.0001 ± .001	SOLID EDGE DRAWING	DO NOT SCALE DRAWING FOR DIMENSIONS	
0.0001 ± .005		SHEET 3 OF 4	SCALE 1:1
CONFIDENTIAL DISCLOSURE This drawing is the property of POWEREX of the SCOTT FETTER COMPANY and is subject to return on demand. Its contents are confidential and must not be copied or submitted to outside parties for use or examination.		AUTHOR	APPROVALS ON FILE IN PLM
716630		ASoulek	10/31/2018
MATERIAL SEE PART DRAWINGS			
DESCRIPTION LAB SCROLL 15 HP HEXAPLEX WITH 240 GALLON AIR RECIEVER		DRAWING NUMBER LSHI5A6	REVISION B D

REVISION NOTES		
DESCRIPTION	ECN	PR/NOR
PRODUCTION RELEASE	PXECO169	N/A

# LSHI5A6

LAB SCROLL 15 HP  
HEXAPLEX WITH 240 GALLON  
AIR RECIEVER  
LAB DRYER  
FLOW DIAGRAM



PIPE SIZE CHART		
PUMP COUNT	DRYER PLUMBING SIZE	OUTLET PIPE SIZE
2	1/2"	1/2"
3	1/2"	1"
4	1"	1-1/4"
6	1"	1-1/2"
8	1"	1-1/2"
9	1"	1-1/2"
12	1-1/2"	2"
15	1-1/2"	2"
18	1-1/2"	2"

SYMBOL LEGEND		DRAWINGS TO CONFORM TO CURRENT REVISION OF THE FOLLOWING ANSI STANDARDS: Y14.3 MULTI AND SECTIONAL VIEW DWGS Y14.5 DIMENSIONING AND TOLERANCING	
TOLERANCES NOT SPECIFIED	SOLID EDGE DRAWING	DO NOT SCALE DRAWING FOR DIMENSIONS	
0.001 ± .001		SHEET 4 OF 4	SCALE 1:1
0.005 ± .005	APPROVALS ON FILE IN PLM		
0.010 ± .010	<small>CONFIDENTIAL DISCLOSURE</small> <small>This drawing is the property of POWEREX or the SCOTT FETTER COMPANY and is subject to return on demand. Its contents are confidential and must not be copied or submitted to outside parties for use or examination.</small>		<small>AUTHOR</small> ASoulek
	<small>ORIGINATION DATE</small> 10/31/2018		<small>APPROVALS ON FILE IN PLM</small>
<small>ITEM NO.</small> 716630 <small>MATERIAL</small> SEE PART DRAWINGS			<small>ISO PRODUCTION DRIVE, HARRISON OH 45030</small> <small>888-768-7279</small>
<small>DESCRIPTION</small> LAB SCROLL 15 HP HEXAPLEX WITH 240 GALLON AIR RECIEVER	<small>DRAWING NUMBER</small> LSHI5A6	<small>REVISION</small> B	<small>SIZE</small> D