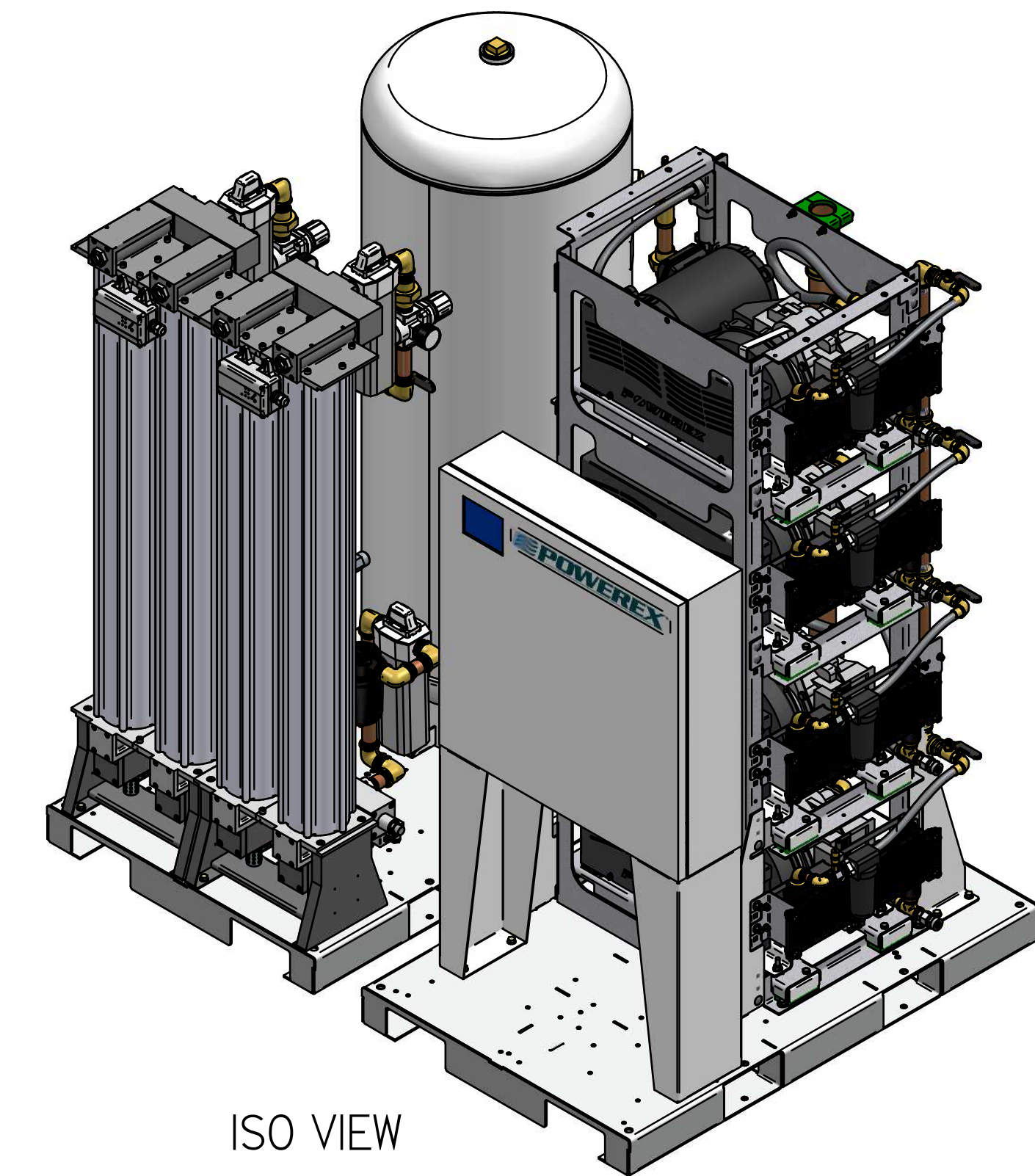
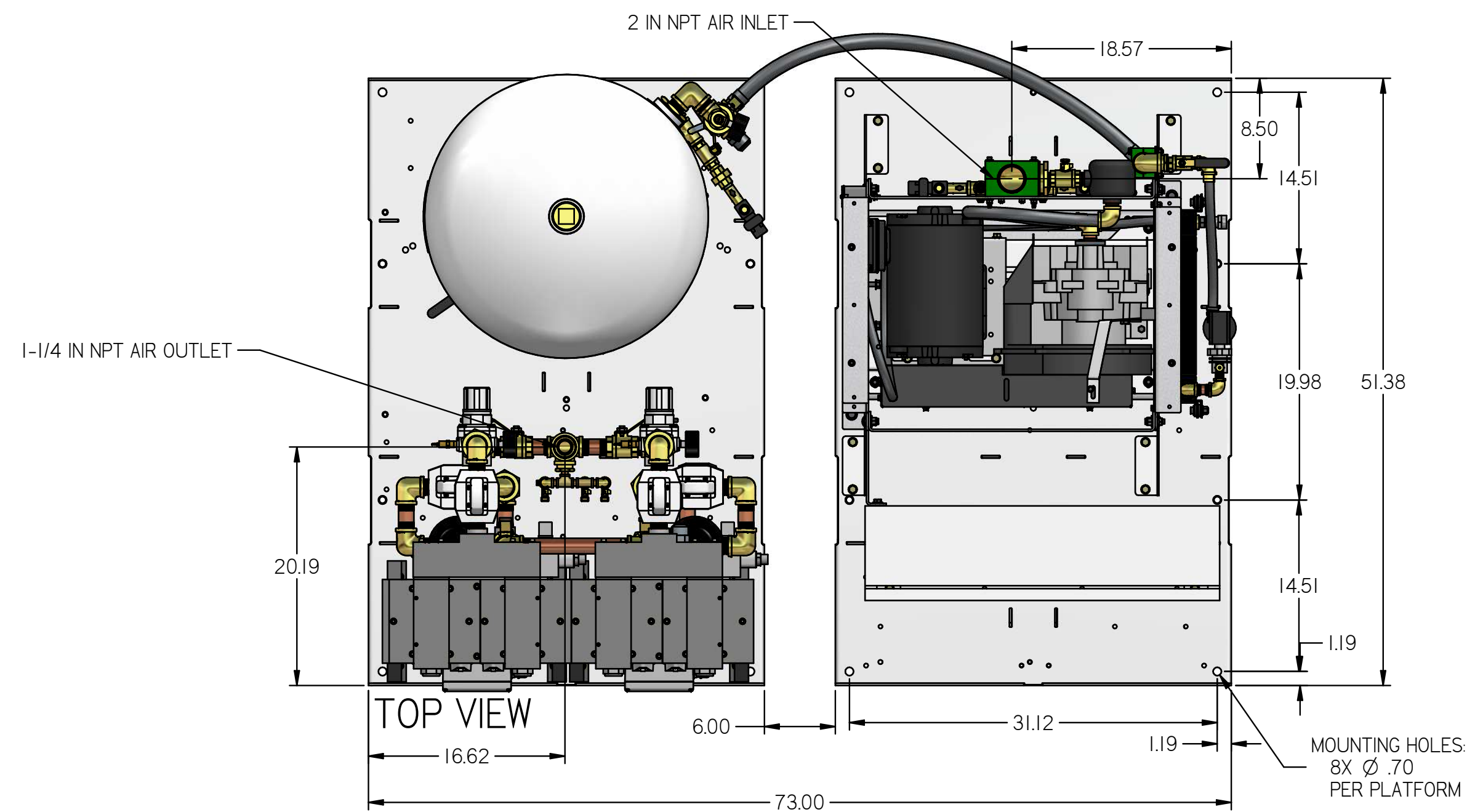


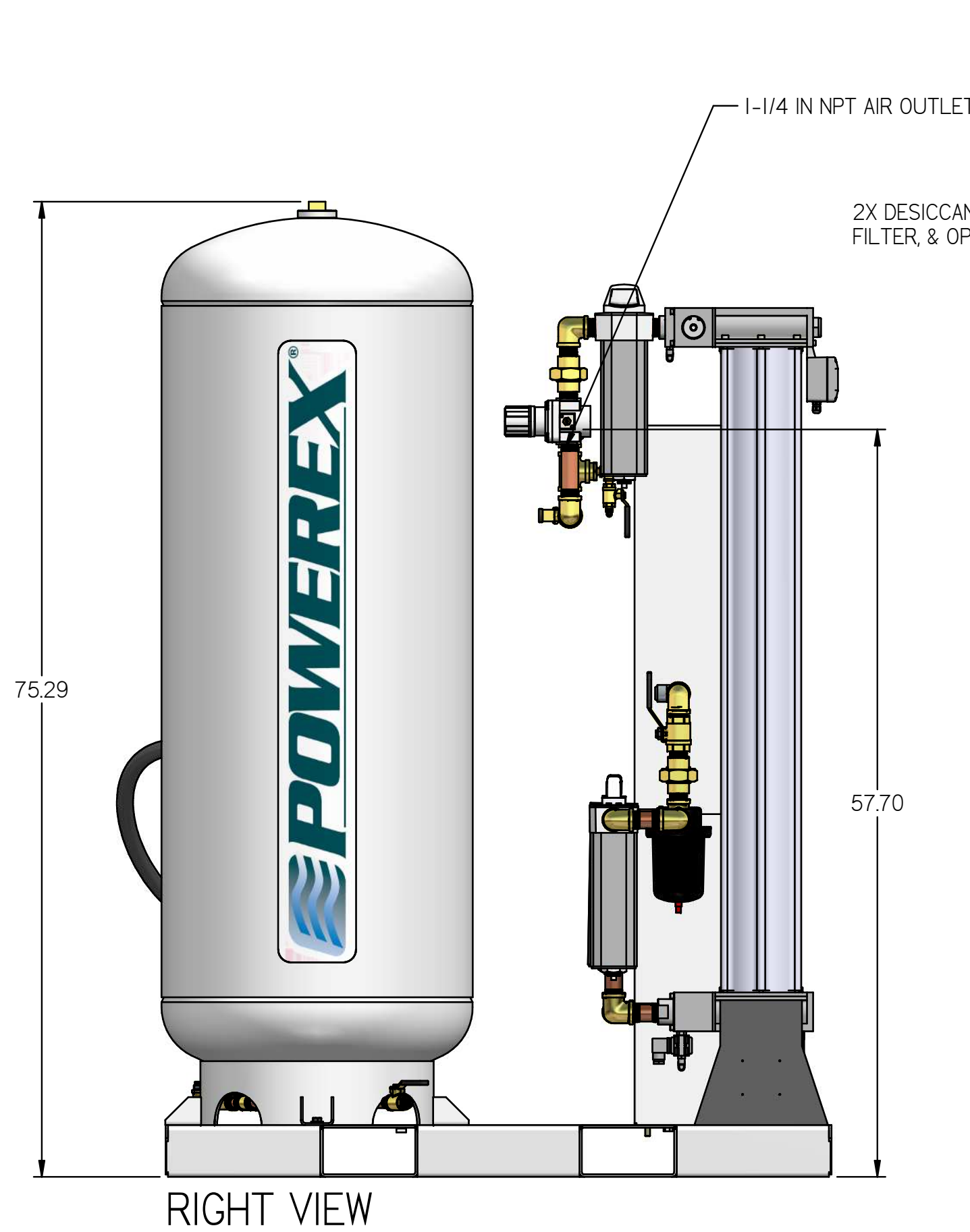
REVISION NOTES		
DESCRIPTION	ECN	PR/NOR
PRODUCTION RELEASE	PXECO169	N/A

# LSQ05A4

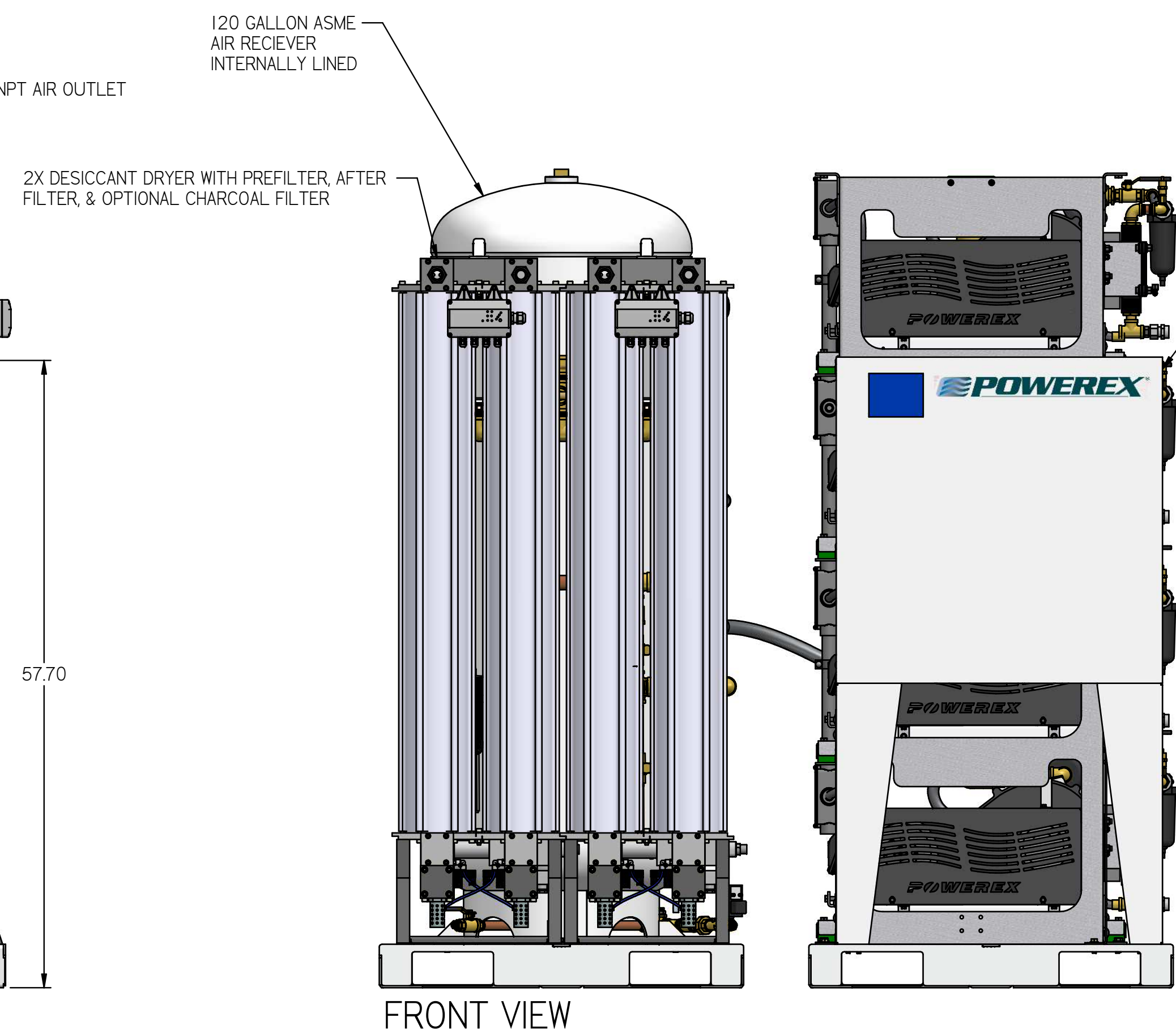
## LAB OPEN SCROLL SYSTEM 5 HP QUADPLEX WITH 120 GALLON TANK



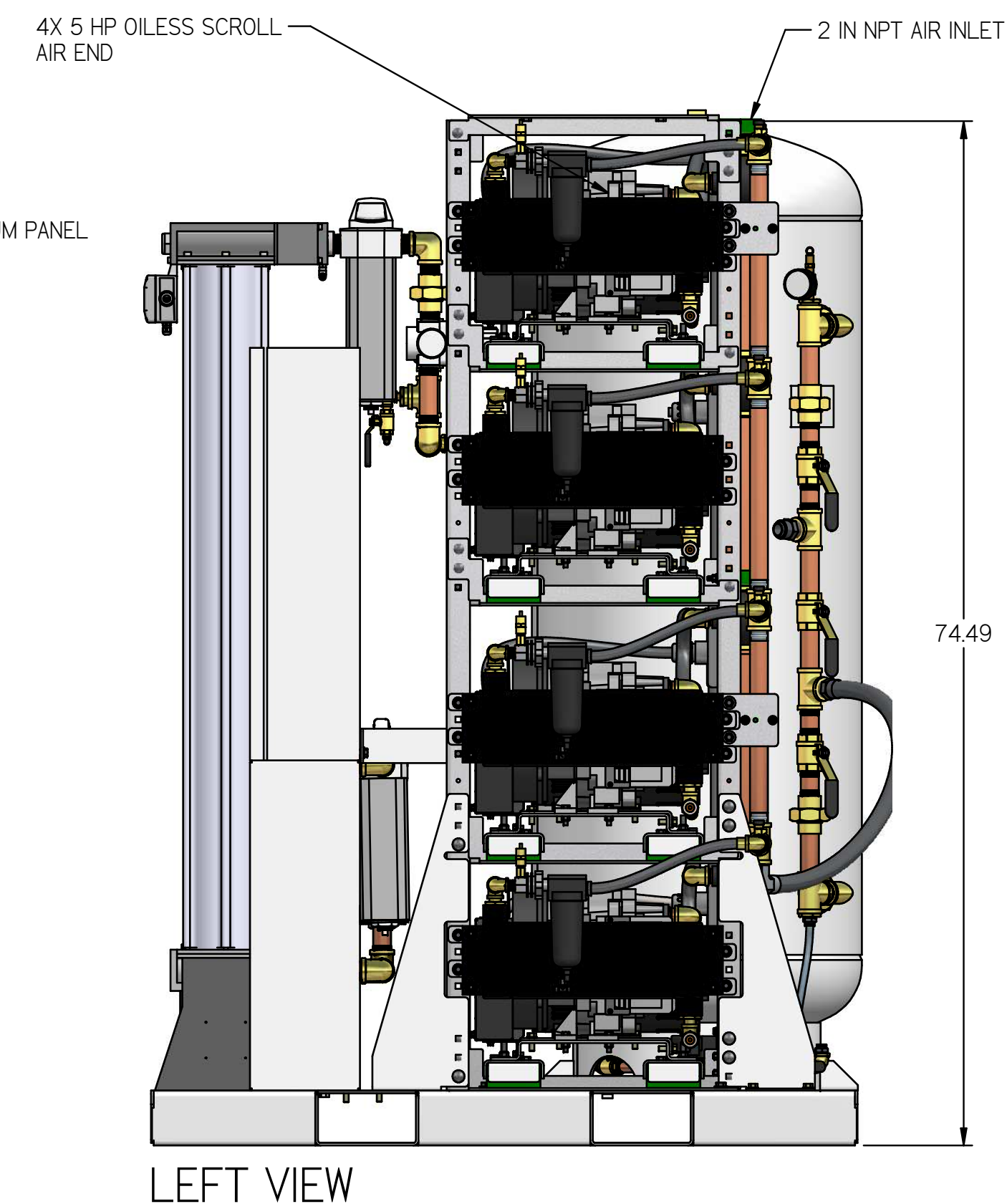
ISO VIEW



RIGHT VIEW



FRONT VIEW



LEFT VIEW

- NOTES:  
 1. APPROX SYSTEM WEIGHT: 2424 LB  
 2. 24" MINIMUM MAINTENANCE CLEARANCE RECOMMENDED  
 ALL SIDES. CLEARANCE FOR CONTROL PANEL SHALL BE IN ACCORDANCE WITH OSHA/NEC REQUIREMENTS

SYMBOL LEGEND		DRAWINGS TO CONFORM TO CURRENT REVISION OF THE FOLLOWING ANSI STANDARDS:	
TOLERANCES NOT SPECIFIED	SOLID EDGE DRAWING	Y14.3 MULTI AND SECTIONAL VIEW DIMS	DO NOT SCALE DRAWING FOR DIMENSIONS
0.00X ± .01	INCH	Y14.5 DIMENSIONING AND TOLERANCING	SHEET 1 OF 4
0.00X ± .005		SCALE	1:10
CONFIDENTIAL DISCLOSURE: This drawing is the property of POWEREX of the SCOTT FETTER COMPANY and is subject to return on demand. Its contents are confidential and must not be copied or submitted to outside parties for use or examination.		AUTHOR	APPROVALS ON FILE IN PLM
716189		ORIGINATION DATE	11/5/2018
MATERIAL: SEE PART NOTES			
DESCRIPTION: LAB OPEN SCROLL SYSTEM 5 HP QUADPLEX WITH 120 GALLON TANK		DRAWING NUMBER: LSQ05A4	REVISION: B
		SIZE: B	D

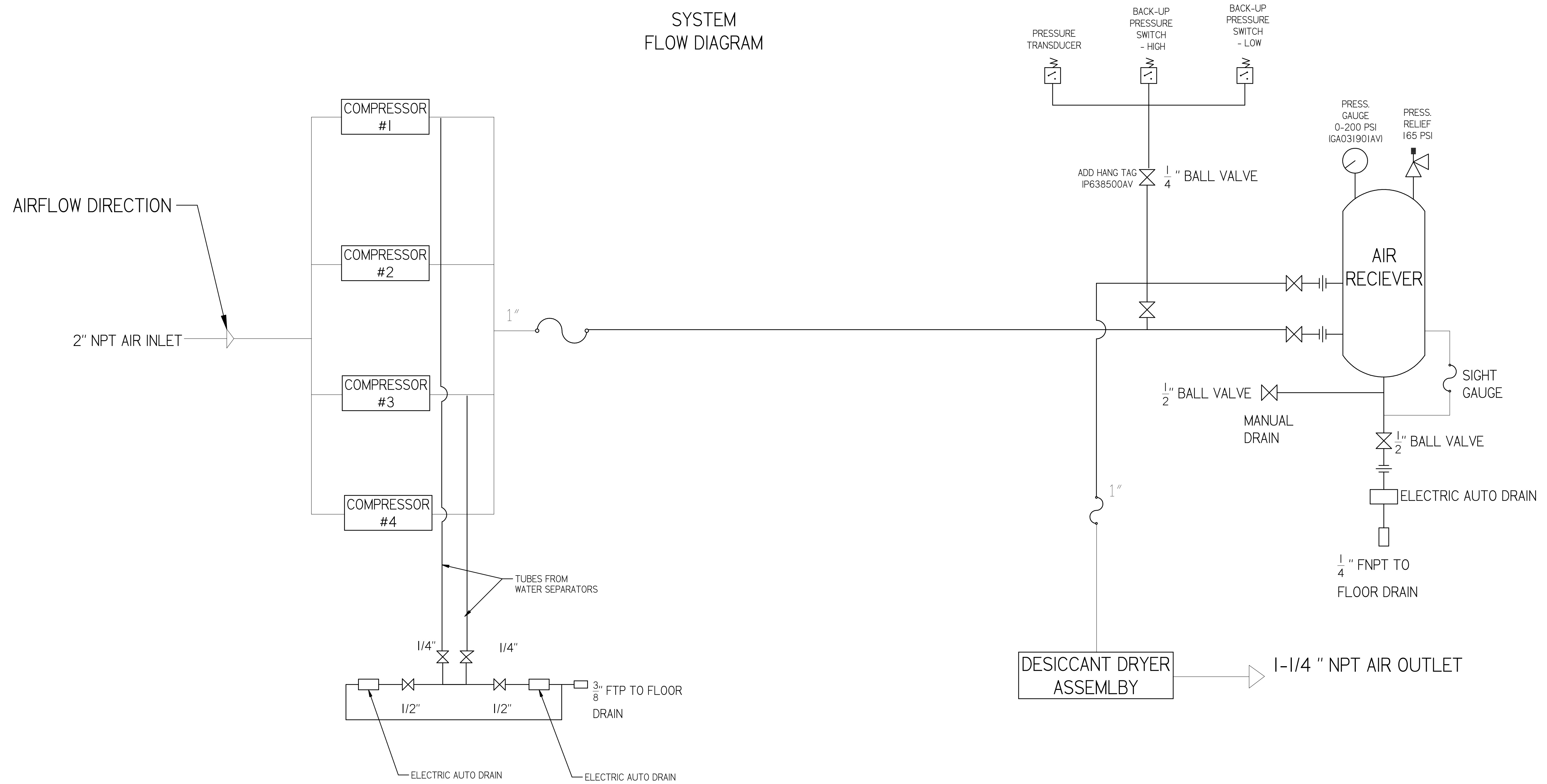


REVISION NOTES		
DESCRIPTION	ECN	PR/NOR
PRODUCTION RELEASE	PXECO169	N/A

# LSQ05A4

## LAB OPEN SCROLL SYSTEM 5 HP QUADPLEX WITH 120 GALLON TANK

### SYSTEM FLOW DIAGRAM

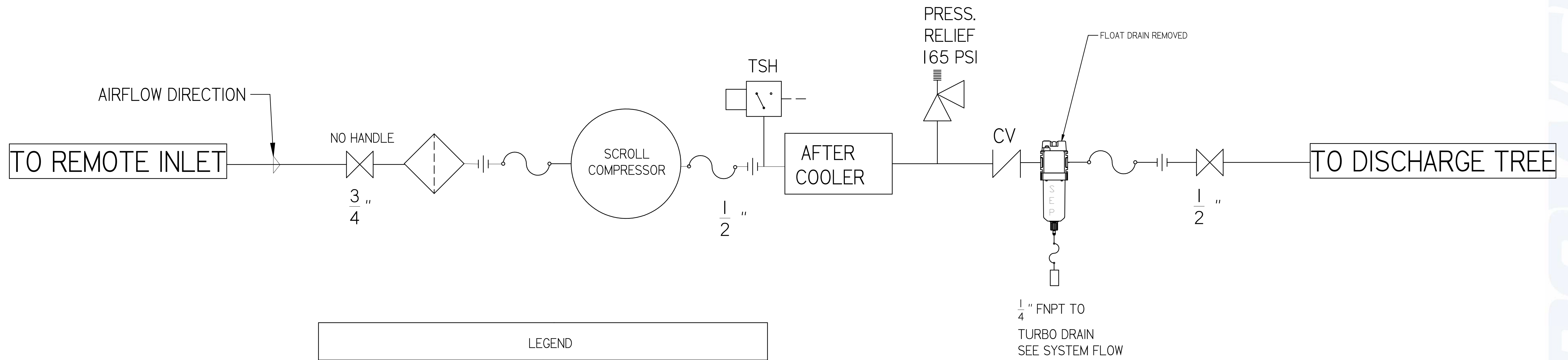


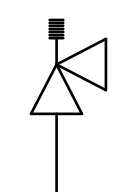
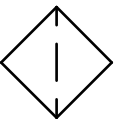
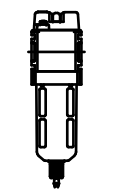

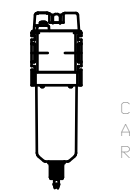

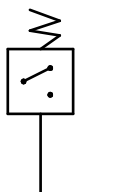
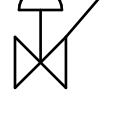
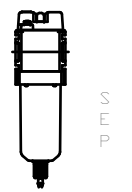

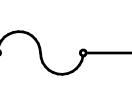
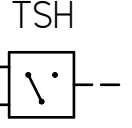
SYMBOL LEGEND		DRAWINGS TO CONFORM TO CURRENT REVISION OF THE FOLLOWING ANSI STANDARDS: #14.3 MULTI AND SECTIONAL VIEW DIMS #14.5 DIMENSIONING AND TOLERANCING	
TOLERANCES NOT SPECIFIED	SOLID EDGE DRAWING	DO NOT SCALE DRAWING FOR DIMENSIONS	
0.000 + .001		SHEET 2 OF 4	SCALE   1:1
0.000 + .005	INCH		
<small>CONFIDENTIAL DISCLOSURE</small> This drawing is the property of POWEREX of the SCOTT FETTER COMPANY and is subject to return on demand. Its contents are confidential and must not be copied or submitted to outside parties for use or examination.		AUTHOR	APPROVALS ON FILE IN PLM
<small>FROM:</small> 716189		ORIGINATION DATE	11/5/2018
<small>MATERIAL:</small> SEE PART NOTES			
<small>DESCRIPTION:</small> LAB OPEN SCROLL SYSTEM 5 HP QUADPLEX WITH 120 GALLON TANK		<small>DRAWING NUMBER:</small>	LSQ05A4
		<small>REVISION:</small>	B
		<small>SIZE:</small>	D

REVISION NOTES		
DESCRIPTION	ECN	PR/NOR
PRODUCTION RELEASE	PXECO169	N/A

# LSQ05A4

LAB OPEN SCROLL SYSTEM  
5 HP QUADPLEX WITH 120  
GALLON TANK  
LAB COMPRESSOR  
FLOW DIAGRAM



LEGEND	
	RELIEF VALVE
	INTAKE FILTER
	AIR FILTER
	3 WAY VALVE
	CARBON FILTER
	BALL VALVE
	PRESSURE SWITCH
	REGULATOR
	SEPARATOR
	CHECK VALVE
	FLEX LINE
	TSH HIGH TEMP SWITCH

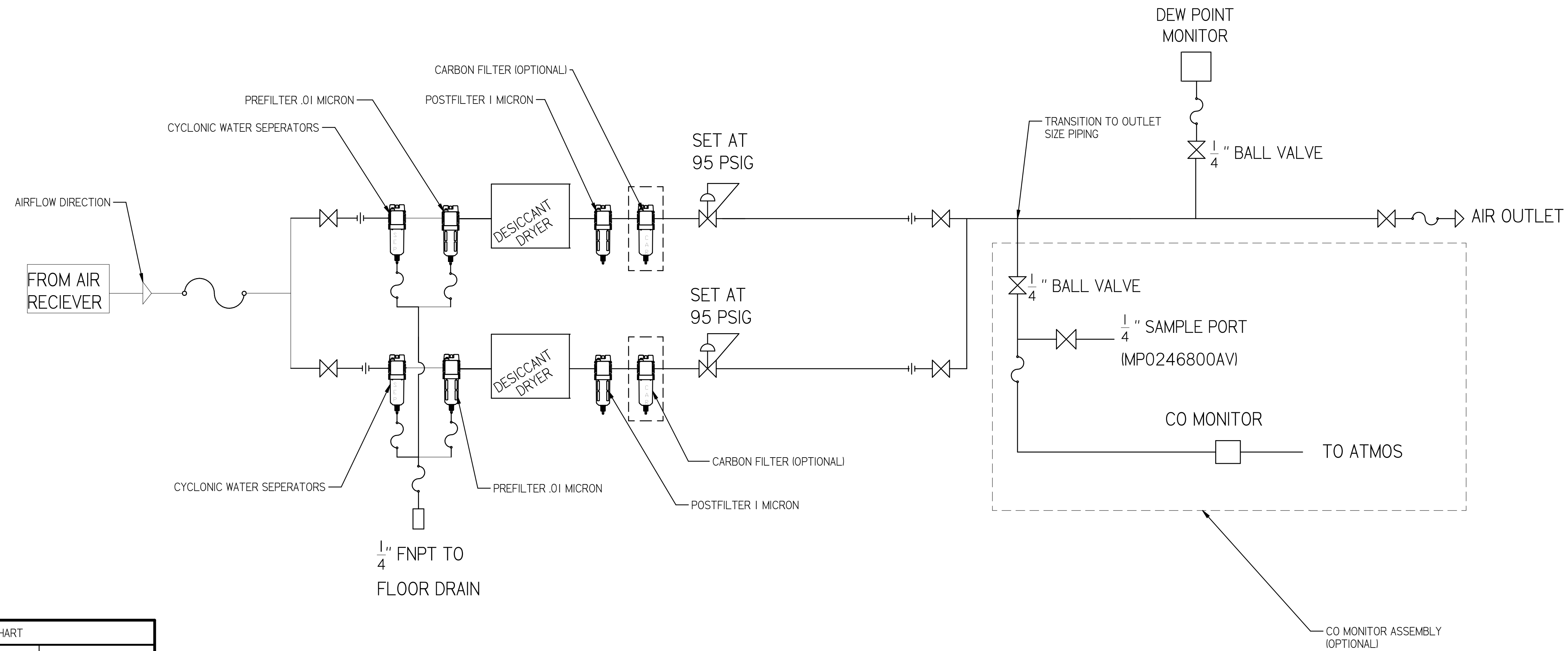
SYMBOL LEGEND		DRAWINGS TO CONFORM TO CURRENT REVISION OF THE FOLLOWING ANSI STANDARDS:	
		Y14.3 MULTI AND SECTIONAL VIEW DWGS Y14.5 DIMENSIONING AND TOLERANCING	
TOLERANCES NOT SPECIFIED:	SOLID EDGE DRAWING	DO NOT SCALE DRAWING FOR DIMENSIONS	
0.001 ± .01		SHEET 3 OF 4	SCALE 1:1
0.0005 ± .0005	INCH		
<small>CONFIDENTIAL DISCLOSURE</small> This drawing is the property of POWEREX of the SCOTT FETTER COMPANY and is subject to return on demand. Its contents are confidential and must not be copied or submitted to outside parties for use or examination.		AUTHOR	APPROVALS ON FILE IN PLM
DRAWN BY: 716189 MATERIAL: SEE PART NOTES		ASoulek	11/5/2018
DESCRIPTION: LAB OPEN SCROLL SYSTEM 5 HP QUADPLEX WITH 120 GALLON TANK		DRAWING NUMBER: LSQ05A4	REVISION: B SIZE: D



REVISION NOTES		
DESCRIPTION	ECN	PR/NOR
PRODUCTION RELEASE	PXECO169	N/A

# LSQ05A4

LAB OPEN SCROLL SYSTEM  
5 HP QUADPLEX WITH 120  
GALLON TANK  
LAB DRYER  
FLOW DIAGRAM



PIPE SIZE CHART		
PUMP COUNT	DRYER PLUMBING SIZE	OUTLET PIPE SIZE
2	1/2"	1/2"
3	1/2"	1"
4	1"	1-1/4"
6	1"	1-1/2"
8	1"	1-1/2"
9	1"	1-1/2"
12	1-1/2"	2"
15	1-1/2"	2"
18	1-1/2"	2"

SYMBOL LEGEND		DRAWINGS TO CONFORM TO CURRENT REVISION OF THE FOLLOWING ANSI STANDARDS: Y14.3 MULTI AND SECTIONAL VIEW DIMS Y14.5 DIMENSIONING AND TOLERANCING	
TOLERANCES NOT SPECIFIED	SOLID EDGE DRAWING	DO NOT SCALE DRAWING FOR DIMENSIONS	
0.XXX ± .01	INCH	SHEET 4 OF 4	SCALE 1:1
0.XXX ± .005			
± .5			
<small>CONFIDENTIAL DISCLOSURE</small> This drawing is the property of POWEREX of the SCOTT FETTER COMPANY and is subject to return on demand. Its contents are confidential and must not be copied or submitted to outside parties for use or examination.		AUTHOR	ORIGINATION DATE
<small>CONFIDENTIAL DISCLOSURE</small> This drawing is the property of POWEREX of the SCOTT FETTER COMPANY and is subject to return on demand. Its contents are confidential and must not be copied or submitted to outside parties for use or examination.		ASoulek	11/5/2018
<small>CONFIDENTIAL DISCLOSURE</small> This drawing is the property of POWEREX of the SCOTT FETTER COMPANY and is subject to return on demand. Its contents are confidential and must not be copied or submitted to outside parties for use or examination.			
<small>CONFIDENTIAL DISCLOSURE</small> This drawing is the property of POWEREX of the SCOTT FETTER COMPANY and is subject to return on demand. Its contents are confidential and must not be copied or submitted to outside parties for use or examination.		150 PRODUCTION DRIVE, HARRISON OH 45030 (888) 768-7079	
FROM: 716189 MATERIAL: SEE PART NOTES	DRAWING NUMBER: LSQ05A4	REVISION: B	SIZE: D
DESCRIPTION: LAB OPEN SCROLL SYSTEM 5 HP QUADPLEX WITH 120 GALLON TANK			