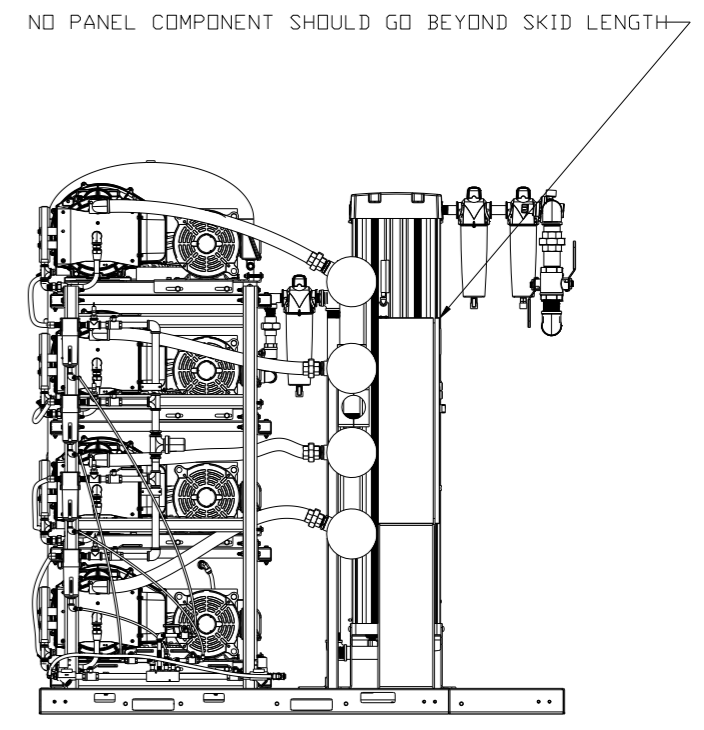
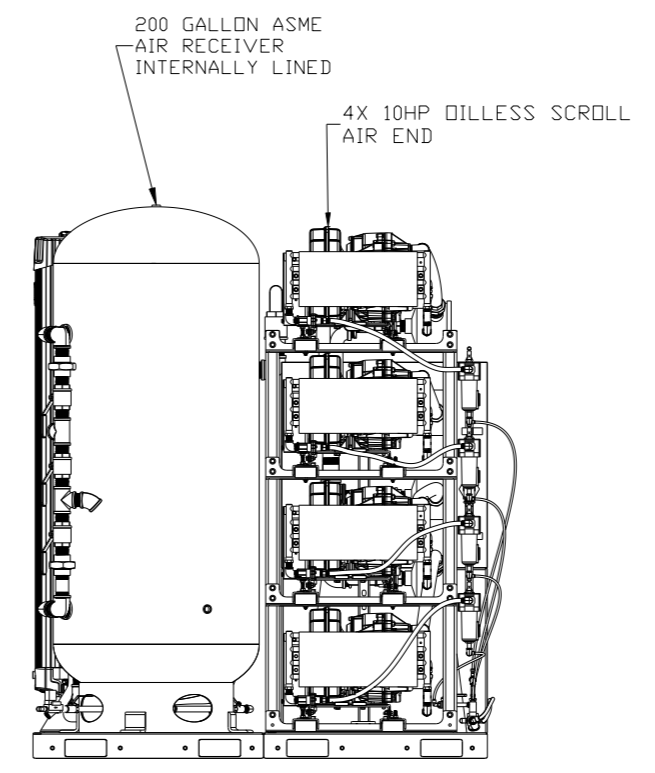
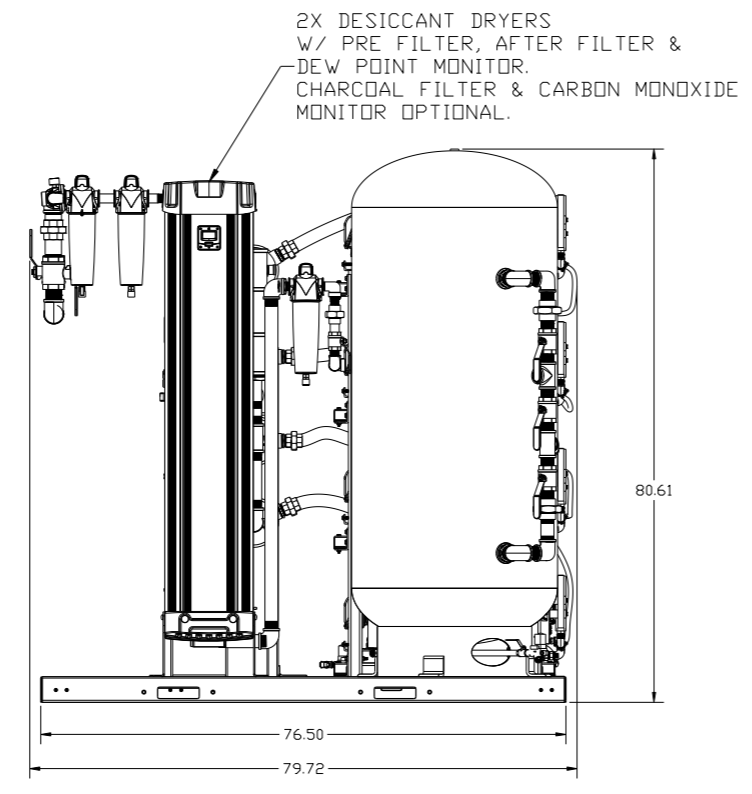
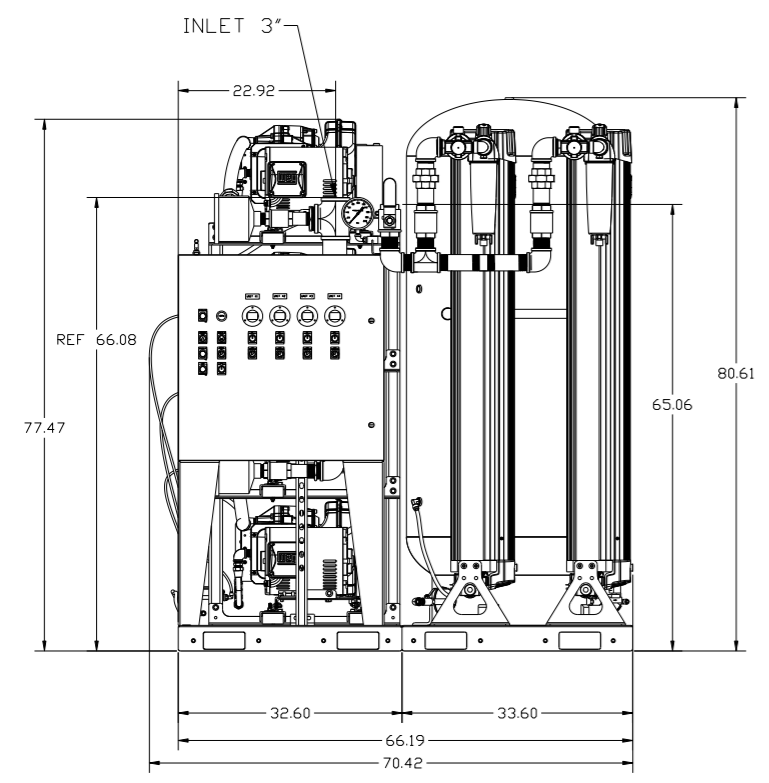
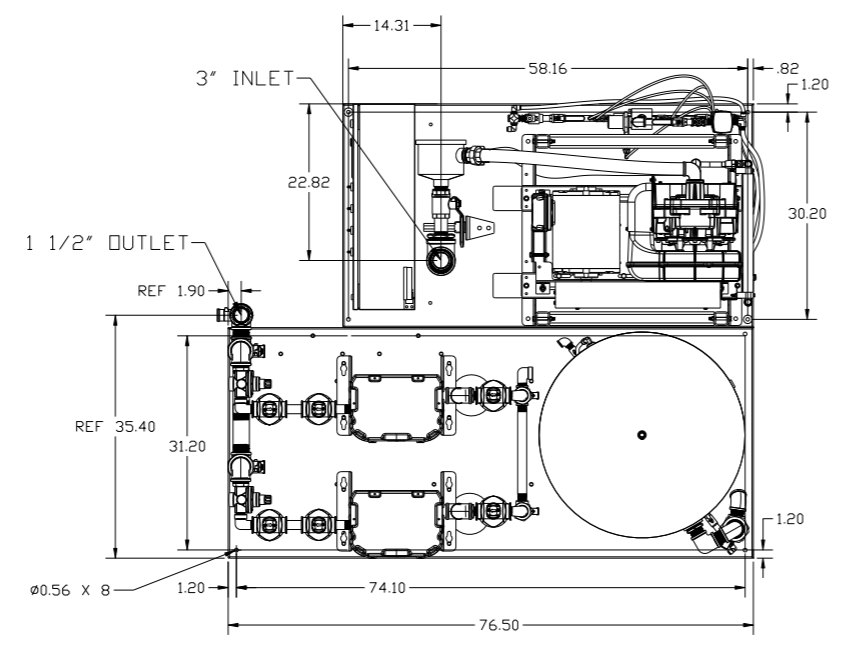


REV	ZONE	REVISION	DATE	ECN	NAME	CHKD
B-1	ALL	RELEASE TO PRODUCTION	3/2/15	PXEC0057	AEK	DMS
C-1	ALL	WAVE1_RED0_REDESIGN_SMALLER_FOOTPRINT	2/23/2015	PXEC0057	JBE	AEK
D-1	ALL	ADDED PRESS GAUGE, NO-LOSS DRAIN, TL DIM, CORR PRM BORDER NAME, LAG ALARM NOTE, CORR OUTLET NOTE & PANEL NOTE SPELLING, CORR DRAIN SCHEMATIC ON FLOW	10/27/15	PXEC0099	GES	KMD

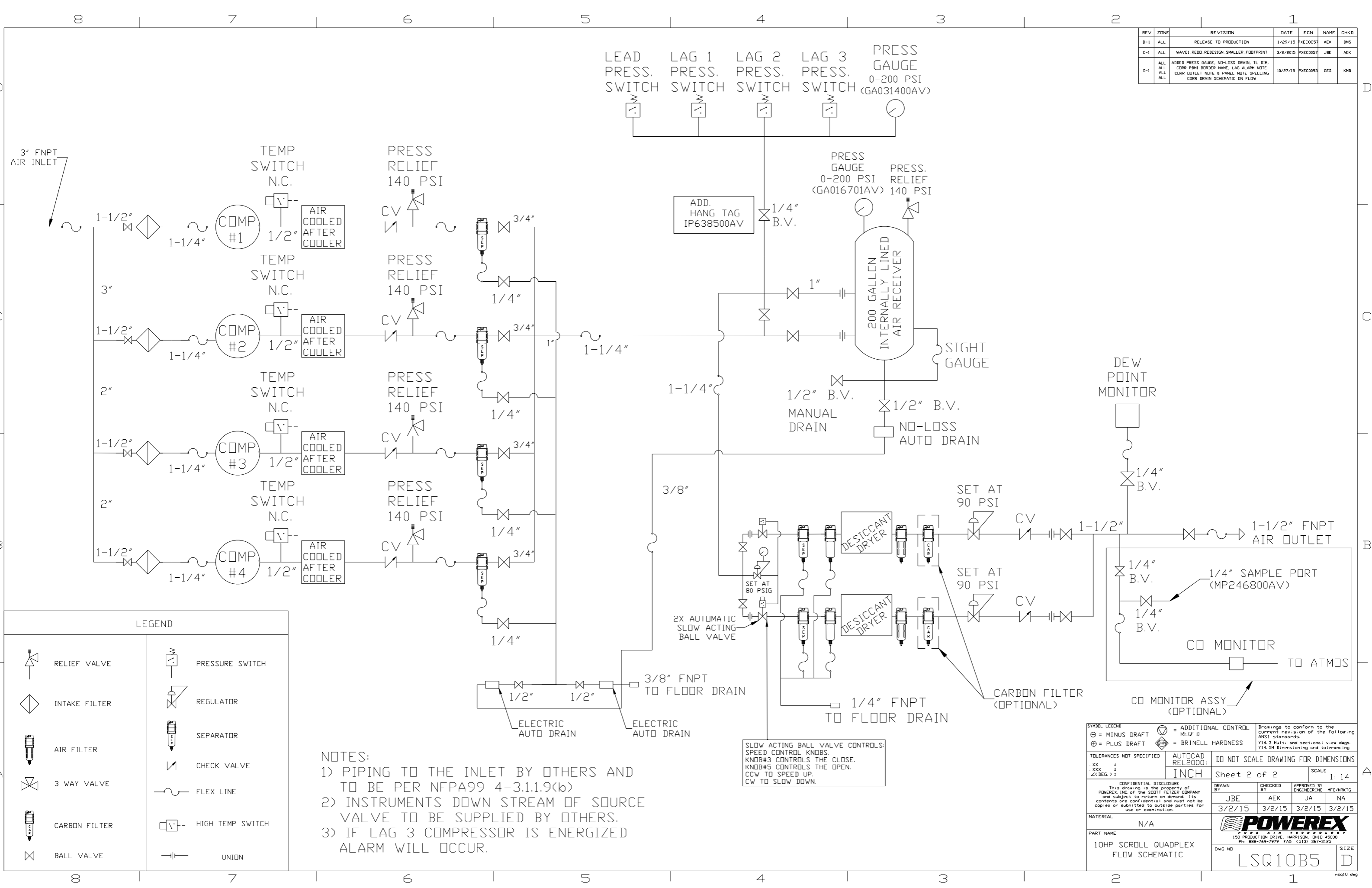


NOTES:  
 1) RECOMMENDED 24" CLEARANCE AROUND SYSTEM  
 2) INSTALL ELECTRICAL CONTROL PANEL WITH CLEARANCE PER OSHA/NEC RECOMMENDATIONS

NOTE: SYSTEM DESIGNED IN COMPLIANCE WITH US NFPA'99, LATEST EDITION.

SYMBOL LEGEND ⊖ = MINUS DRAFT ⊕ = PLUS DRAFT HRC = ADDITIONAL CONTROL REQ'D HB = BRINELL HARDNESS		Drawings to conform to the current revision of the following ANSI standards: Y14.3 Multi and sectional view dwgs. Y14.5M Dimensioning and tolerancing	
TOLERANCES NOT SPECIFIED .XX ± .XXX ± <<BEG. > ±		AUTOCAD REL2000 INCH	
CONFIDENTIAL DISCLOSURE This drawing is the property of POWEREX, INC. of the SCOTT FETZER COMPANY and subject to return on demand. Its contents are confidential and must not be copied or submitted to outside parties for use or examination.		DO NOT SCALE DRAWING FOR DIMENSIONS Sheet 1 of 2 SCALE 1:14	
MATERIAL N/A		DRAWN BY: JBE CHECKED BY: AEK APPROVED BY: JA, NA MFG/MKTG: 3/2/15, 3/2/15, 3/2/15, 3/2/15	
PART NAME QUADPLEX OILLESS SCROLL 10HP, 200GAL. BASEMOUNT DUPLEX DESICCANT		DWG NO: LSQ10B5 SIZE: D LSG10B5	

REV	ZONE	REVISION	DATE	ECN	NAME	CHKD
B-1	ALL	RELEASE TO PRODUCTION	1/29/15	PXEC0057	AEK	DMS
C-1	ALL	WAVEL_REDO_REDESIGN_SMALLER_FOOTPRINT	3/2/2015	PXEC0057	JBE	AEK
D-1	ALL	ADDED PRESS GAUGE, NO-LOSS DRAIN, TL DIM. CORR PBM BORDER NAME, LAG ALARM NOTE CORR OUTLET NOTE & PANEL NOTE SPELLING CORR DRAIN SCHEMATIC ON FLOW	10/27/15	PXEC0093	GES	KMD



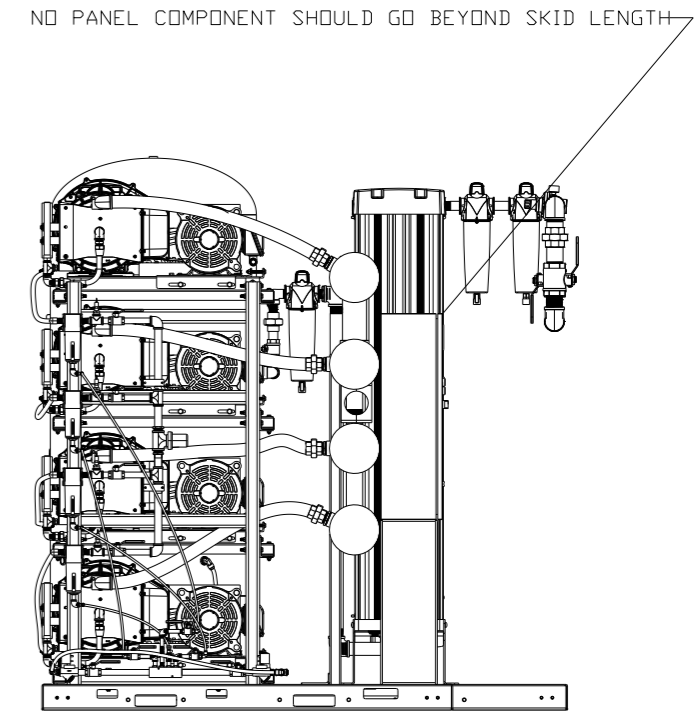
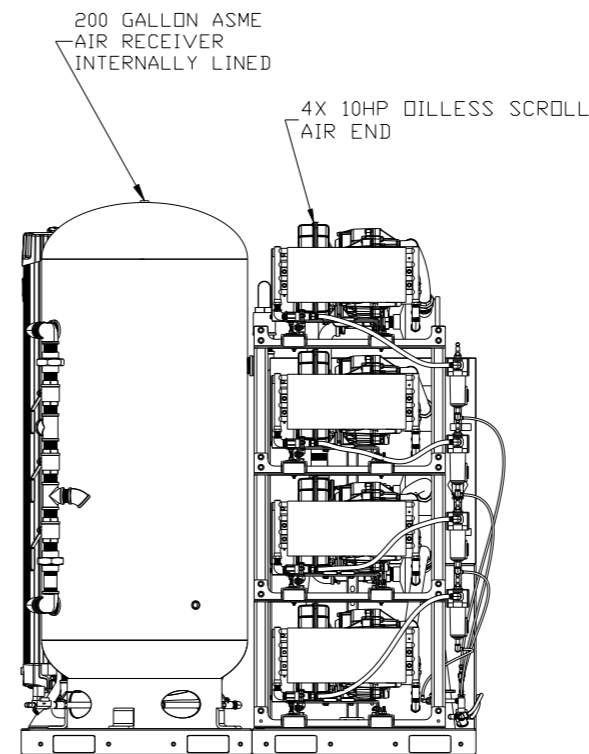
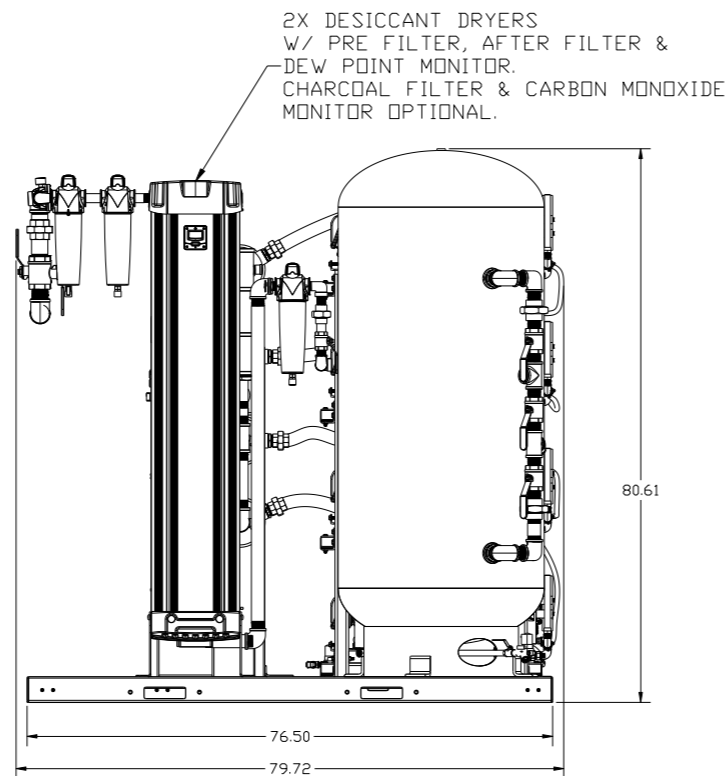
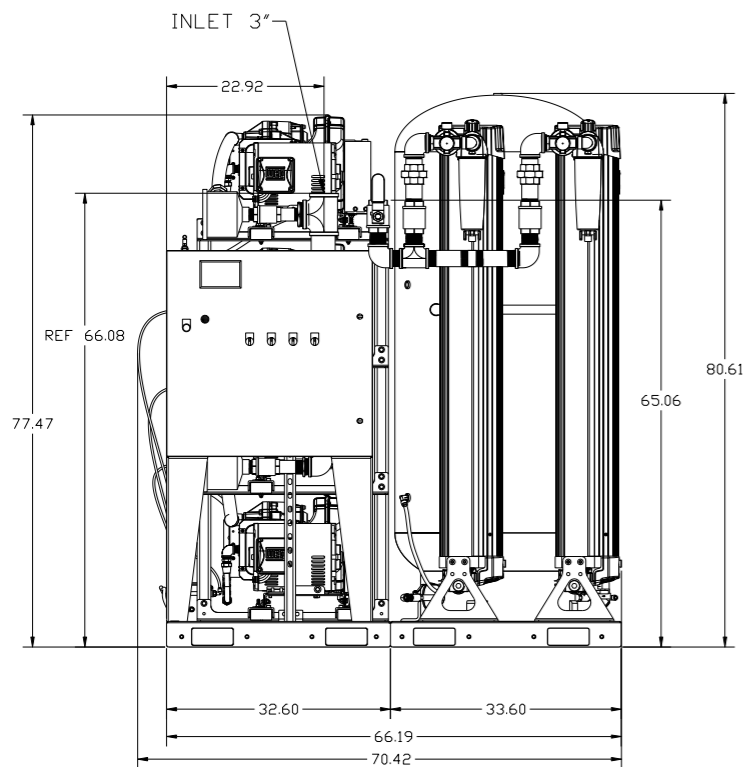
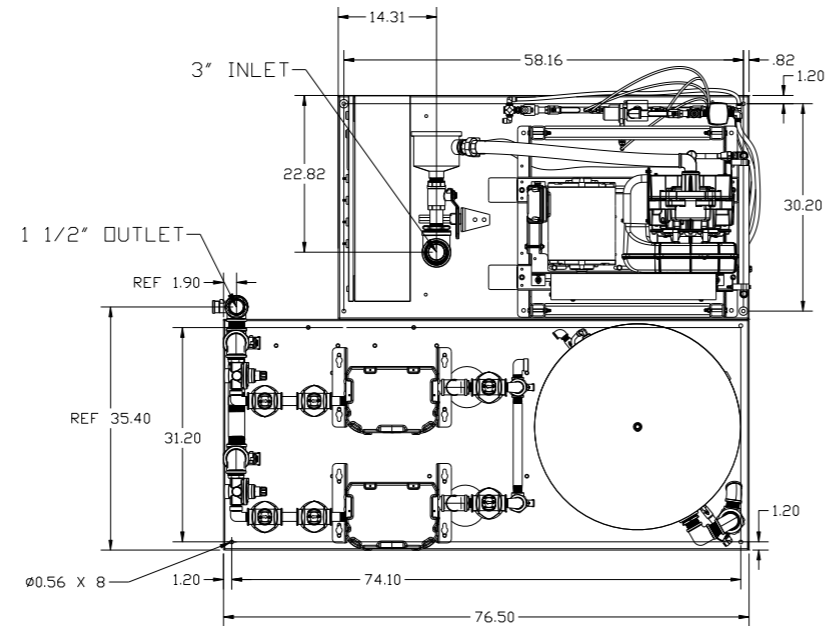
LEGEND	
	RELIEF VALVE
	INTAKE FILTER
	AIR FILTER
	3 WAY VALVE
	CARBON FILTER
	BALL VALVE
	PRESSURE SWITCH
	REGULATOR
	SEPARATOR
	CHECK VALVE
	FLEX LINE
	HIGH TEMP SWITCH
	UNION

NOTES:  
 1) PIPING TO THE INLET BY OTHERS AND TO BE PER NFPA99 4-3.1.1.9(b)  
 2) INSTRUMENTS DOWN STREAM OF SOURCE VALVE TO BE SUPPLIED BY OTHERS.  
 3) IF LAG 3 COMPRESSOR IS ENERGIZED ALARM WILL OCCUR.

SLOW ACTING BALL VALVE CONTROLS: SPEED CONTROL KNOBS. KNOB#3 CONTROLS THE CLOSE. KNOB#5 CONTROLS THE OPEN. CCW TO SPEED UP. CW TO SLOW DOWN.

SYMBOL LEGEND	⊖ = MINUS DRAFT ⊕ = PLUS DRAFT	⊕ = ADDITIONAL CONTROL REQ'D ⊕ = BRINELL HARDNESS	Drawings to conform to the current revision of the following ANSI standards: Y14.3 Multi and sectional view dsgs Y14.9M Dimensioning and tolerancing
TOLERANCES NOT SPECIFIED	AUTOCAD REL2000: INCH	DO NOT SCALE DRAWING FOR DIMENSIONS	Sheet 2 of 2 SCALE 1:14
CONFIDENTIAL DISCLOSURE	This drawing is the property of POWEREX, INC. of the SCOTT FETZER COMPANY and subject to return on demand. Its contents are confidential and must not be copied or submitted to outside parties for use or examination.		
DRAWN BY	CHECKED BY	APPROVED BY	MFG/MRKTG
JBE	AEK	JA	NA
3/2/15	3/2/15	3/2/15	3/2/15
MATERIAL	N/A		
PART NAME	10HP SCROLL QUADPLEX FLOW SCHEMATIC		
DWG NO	LSQ10B5		SIZE D

REV	ZONE	REVISION	DATE	ECN	NAME	CHKD
B-1	ALL	RELEASE TO PRODUCTION	3/2/15	PXEC0057	AEK	DMS
C-1	ALL	WAVE1_REDD_REDESIGN_SMALLER_FOOTPRINT	2/23/2015	PXEC0057	JBE	AEK
D-1	ALL	ADDED PRESS GAUGE, NO-LOSS DRAIN, TL DIM, CORR PIPING BORDER NAME, LAG ALARM NOTE	10/27/15	PXEC0093	GES	KMD
	ALL	CORR OUTLET NOTE & PANEL NOTE SPELLING				
	ALL	CORR DRAIN SCHEMATIC ON FLOW				

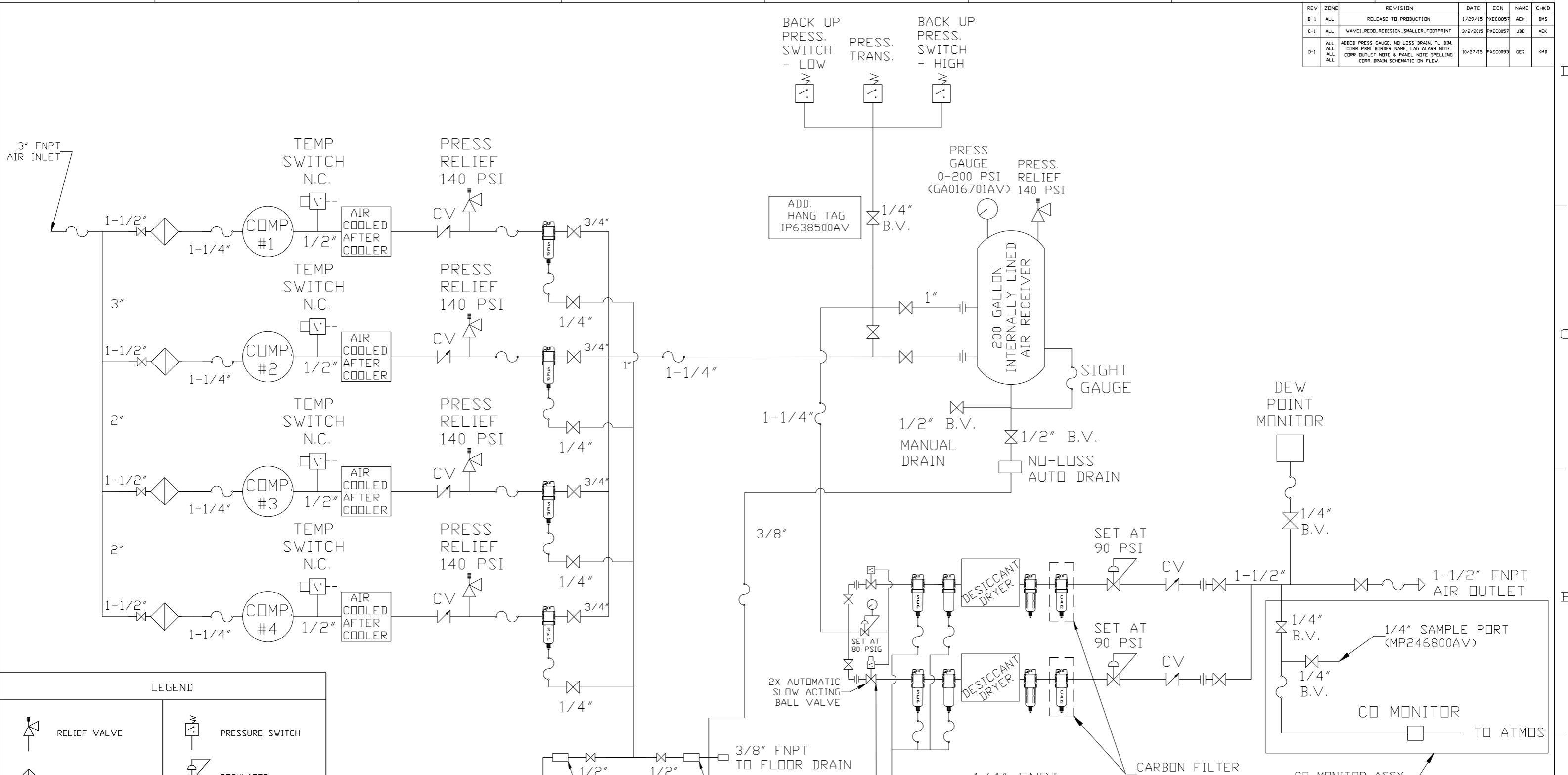


NOTES:  
 1) RECOMMENDED 24" CLEARANCE AROUND SYSTEM  
 2) INSTALL ELECTRICAL CONTROL PANEL WITH CLEARANCE PER OSHA/NEC RECOMMENDATIONS

NOTE: SYSTEM DESIGNED IN COMPLIANCE WITH US NFPA'99, LATEST EDITION.

SYMBOL LEGEND		= ADDITIONAL CONTROL REQ'D		Drawings to conform to the current revision of the following ANSI standards: Y14.3 Multi and sectional view dgs Y14.5M Dimensioning and tolerancing	
⊖	= MINUS DRAFT	⊕	= PLUS DRAFT		
TOLERANCES NOT SPECIFIED		AUTOCAD REL2000		DO NOT SCALE DRAWING FOR DIMENSIONS	
.XX ± .XXX ± ∠(DEG.) ±		INCH		SCALE 1: 14	
CONFIDENTIAL DISCLOSURE This drawing is the property of POWEREX, INC. or the SCOTT FEITZER COMPANY and subject to return on demand. Its contents are confidential and must not be copied or submitted to outside parties for use or examination.		DRAWN BY JBE	CHECKED BY AEK	APPROVED BY JA	MFG/MRKTG NA
MATERIAL N/A		3/2/15	3/2/15	3/2/15	3/2/15
PART NAME QUADPLEX OILLESS SCROLL 10HP, 200GAL. BASEMOUNT DUPLX DESICCANT		DVG NO LSQ10B5		SIZE D	LSQ10B5

REV	ZONE	REVISION	DATE	ECN	NAME	CHKD
B-1	ALL	RELEASE TO PRODUCTION	1/29/15	PXEC0057	AEK	DMS
C-1	ALL	WAVE1_REDD_REDESIGN_SMALLER_FOOTPRINT	3/2/2015	PXEC0057	JBE	AEK
D-1	ALL	ADDED PRESS GAUGE, NO-LOSS DRAIN, TL, DIM, CORR PBM BORDER NAME, LAG ALARM NOTE, CORR OUTLET NOTE & PANEL NOTE SPELLING, CORR DRAIN SCHEMATIC ON FLOW	10/27/15	PXEC0093	GES	KMD



LEGEND	
	RELIEF VALVE
	INTAKE FILTER
	AIR FILTER
	3 WAY VALVE
	CARBON FILTER
	BALL VALVE
	PRESSURE SWITCH
	REGULATOR
	SEPARATOR
	CHECK VALVE
	FLEX LINE
	HIGH TEMP SWITCH
	UNION

NOTES:  
 1) PIPING TO THE INLET BY OTHERS AND TO BE PER NFPA99 4-3.1.1.9(k)  
 2) INSTRUMENTS DOWN STREAM OF SOURCE VALVE TO BE SUPPLIED BY OTHERS.  
 3) IF LAG 3 COMPRESSOR IS ENERGIZED ALARM WILL OCCUR.

SLOW ACTING BALL VALVE CONTROLS:  
 SPEED CONTROL KNOBS.  
 KNOB#3 CONTROLS THE CLOSE.  
 KNOB#5 CONTROLS THE OPEN.  
 CCW TO SPEED UP.  
 CW TO SLOW DOWN.

SYMBOL LEGEND		TOLERANCES NOT SPECIFIED		DO NOT SCALE DRAWING FOR DIMENSIONS	
	= MINUS DRAFT	.XX ±	INCH	Sheet 2 of 2	SCALE 1:14
	= PLUS DRAFT	.XXX ±	INCH		
	= ADDITIONAL CONTROL REQ'D	AUTOCAD REL2000			
	= BRINELL HARDNESS	DRAWINGS TO CONFORM TO THE CURRENT REVISION OF THE FOLLOWING ANSI STANDARDS: Y14.3 Multi and sectional view dsgs. Y14.5M Dimensioning and tolerancing			
CONFIDENTIAL DISCLOSURE This drawing is the property of POWEREX, INC. of the SCOTT FETZER COMPANY and subject to return on demand. Its contents are confidential and must not be copied or submitted to outside parties for use or examination.		DRAWN BY	CHECKED BY	APPROVED BY	DATE
		JBE	AEK	JA	NA
		3/2/15	3/2/15	3/2/15	3/2/15
MATERIAL		N/A			
PART NAME		10HP SCROLL QUADPLEX FLOW SCHEMATIC			
DWG NO		LSQ10B5		SIZE D	