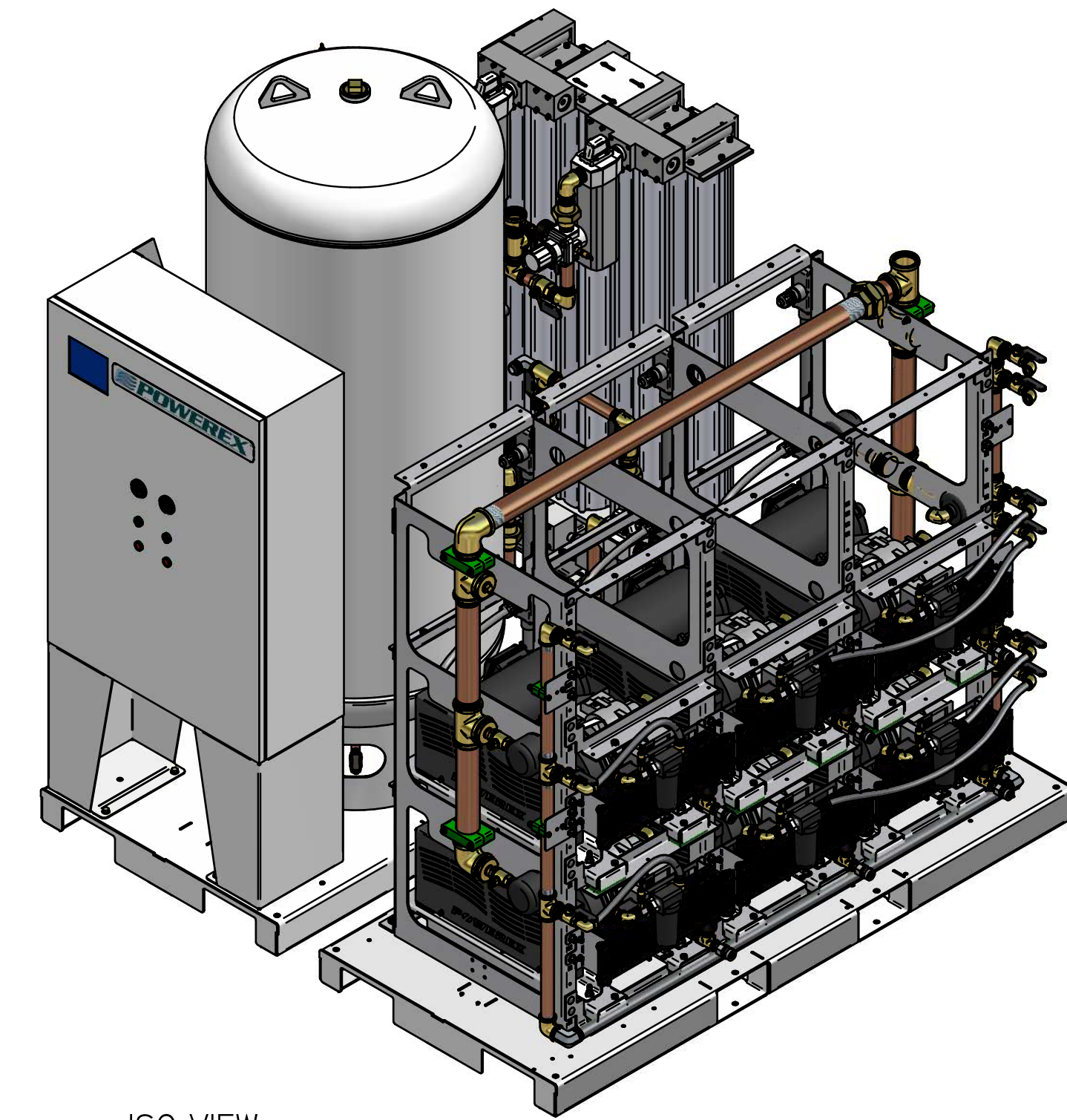
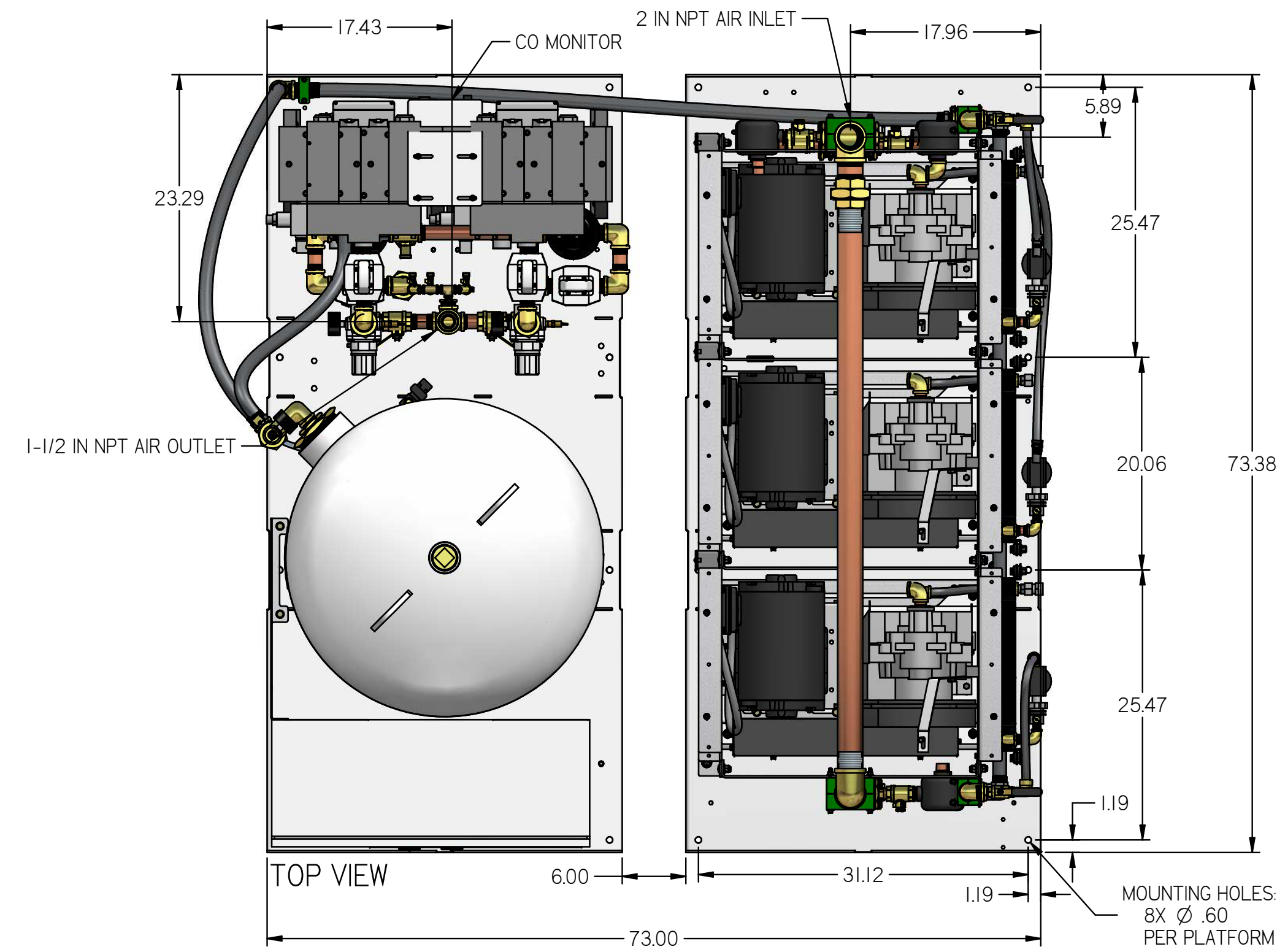


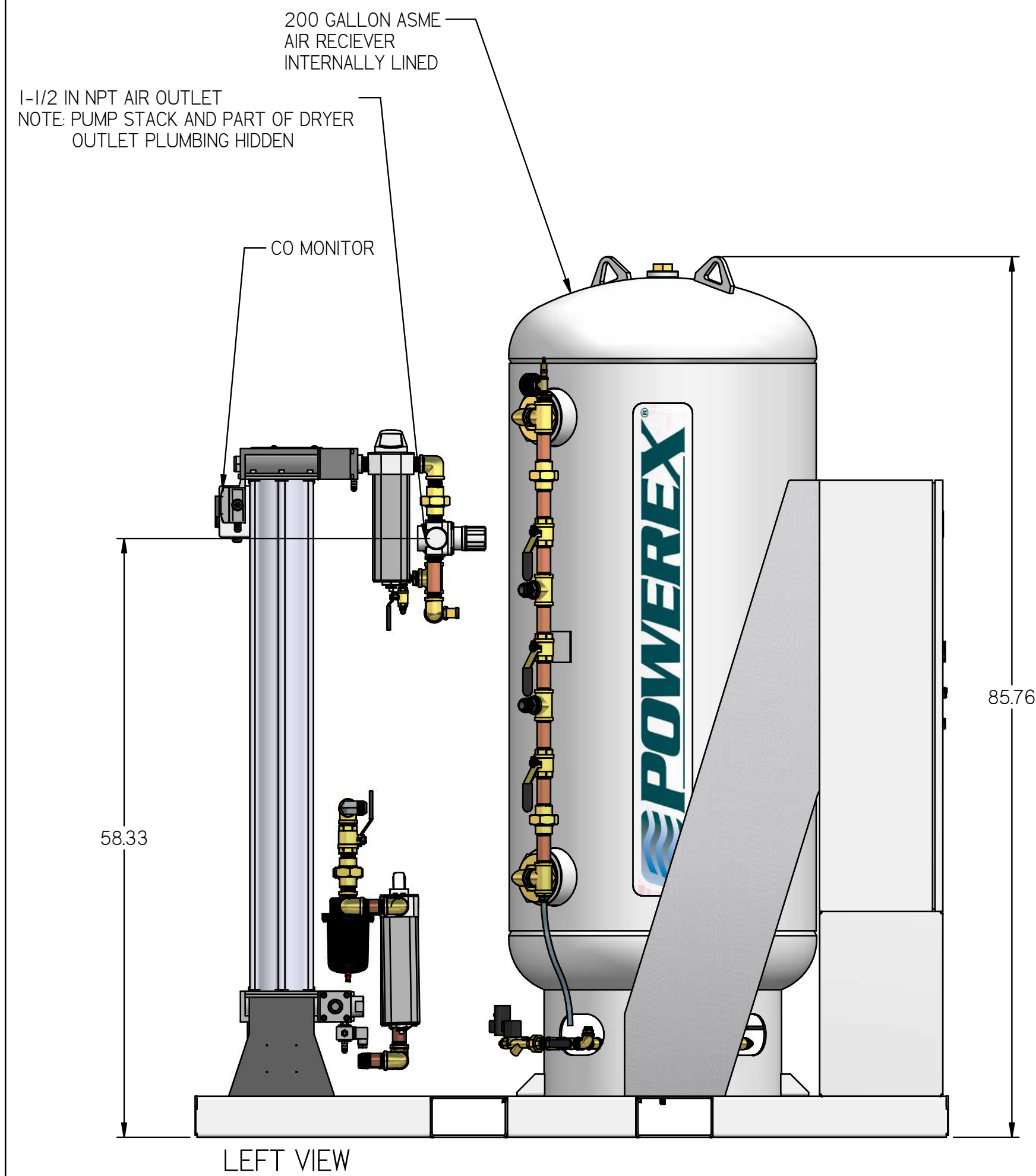
# MSDI5A5-EX3

MED OPEN SCROLL 15HP  
 DUPLLEX EXPANDABLE TO  
 TRI WITH 200 GALLON TANK  
 PREMIUM PANEL

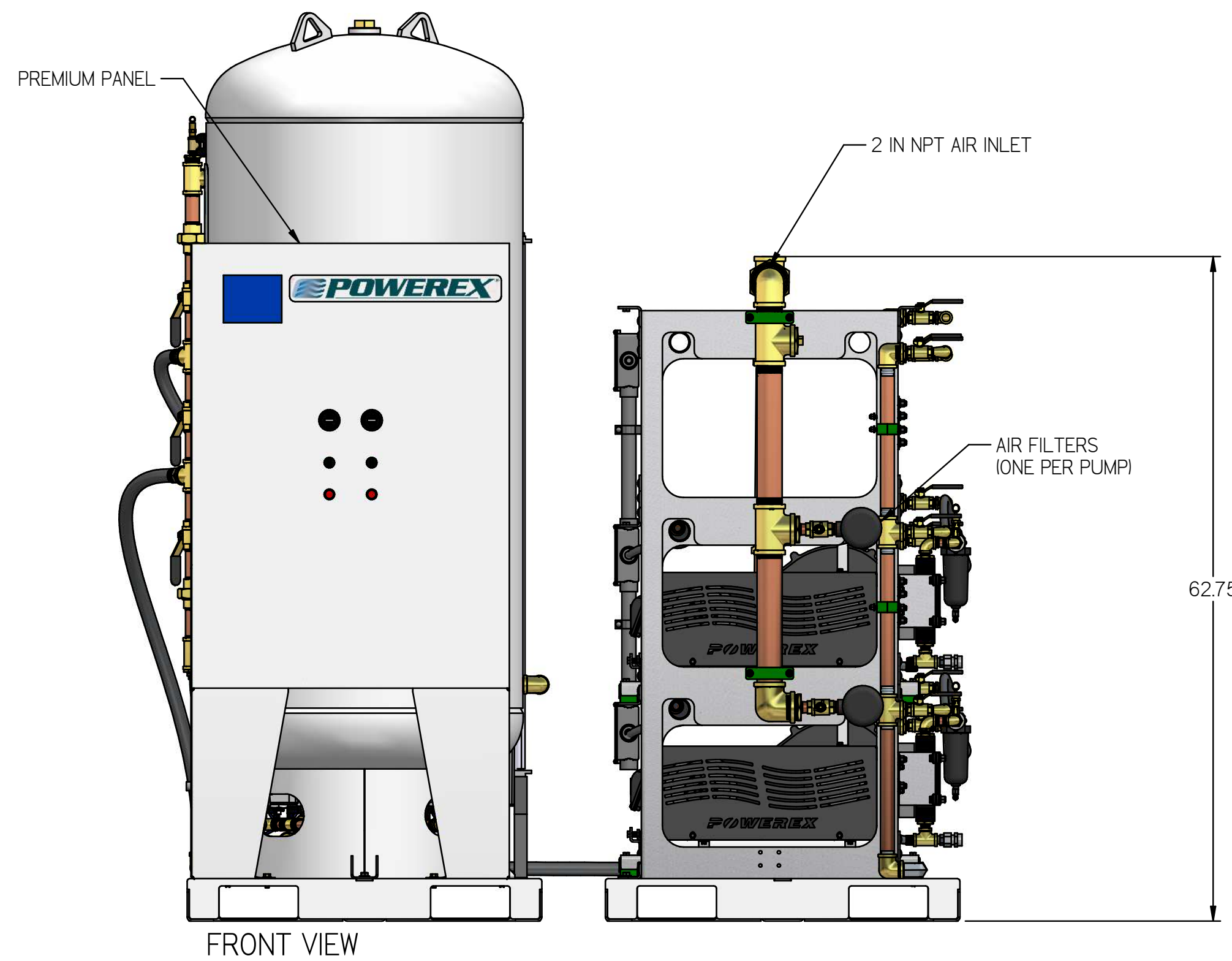
REVISION NOTES		
DESCRIPTION	ECN	PR/NOR
PRODUCTION RELEASE	PXEC0169	N/A



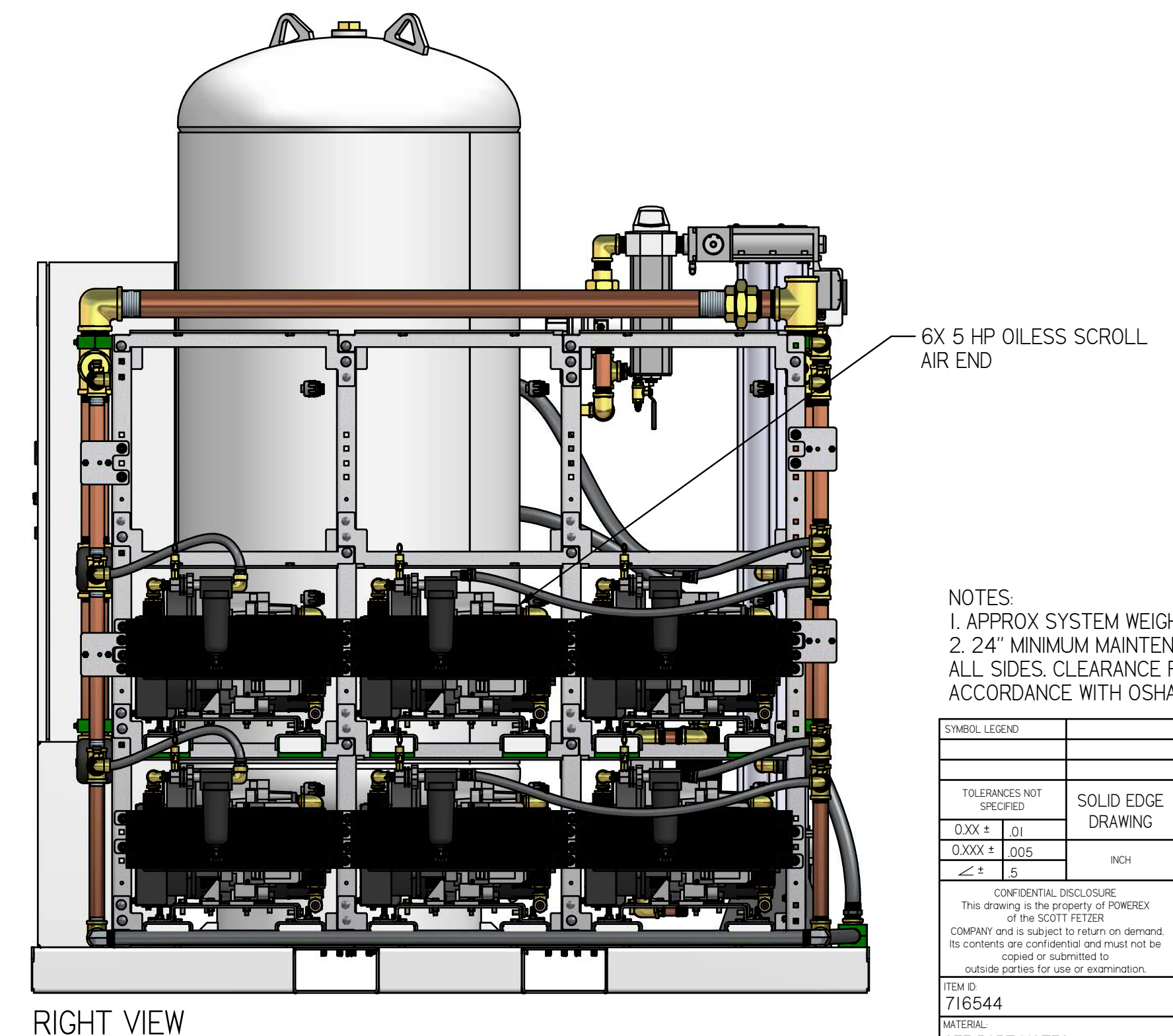
ISO VIEW



LEFT VIEW



FRONT VIEW



RIGHT VIEW

- NOTES:  
 1. APPROX SYSTEM WEIGHT: 4199 LB  
 2. 24" MINIMUM MAINTENANCE CLEARANCE RECOMMENDED  
 ALL SIDES. CLEARANCE FOR CONTROL PANEL SHALL BE IN ACCORDANCE WITH OSHA/NEC REQUIREMENTS

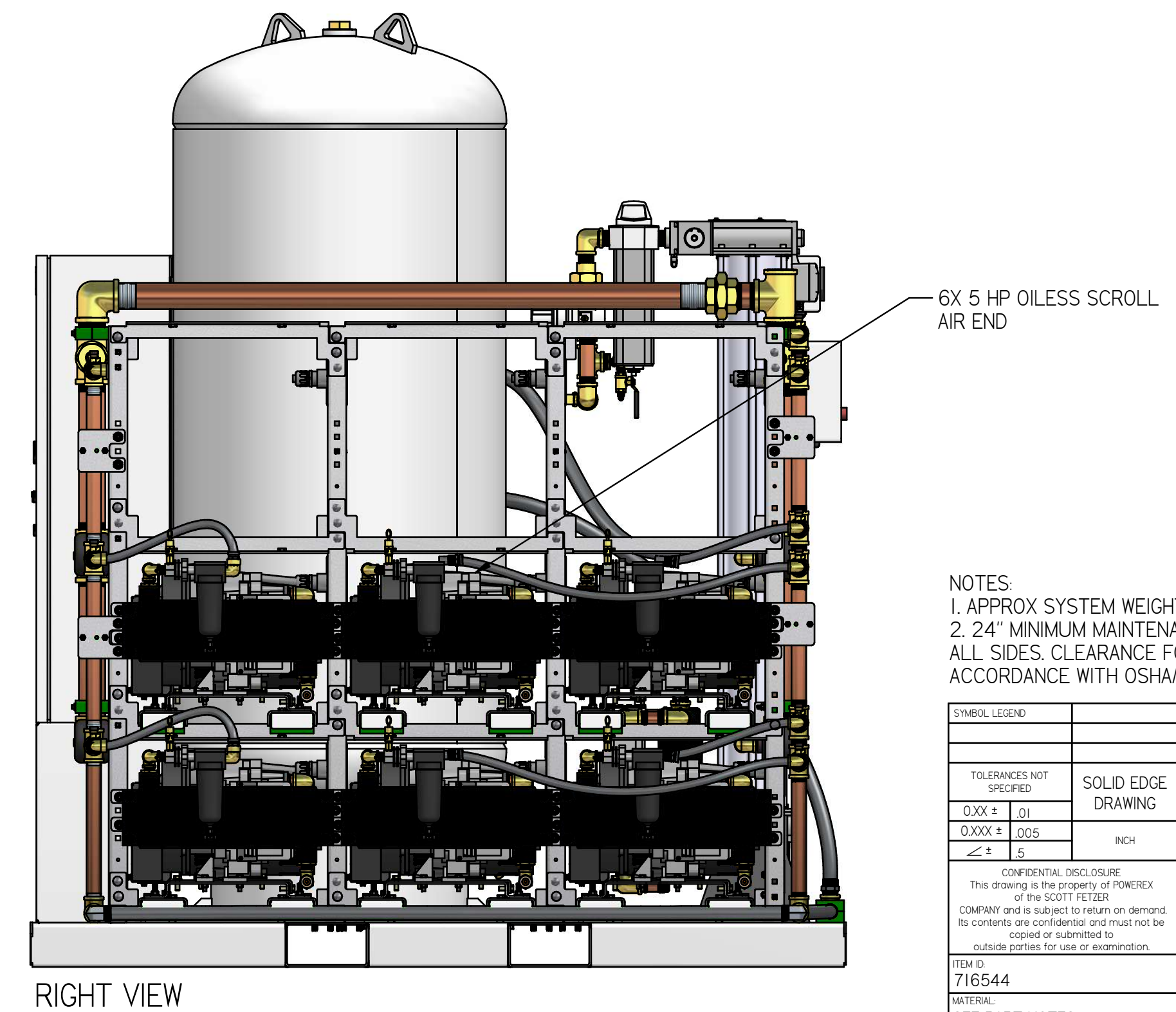
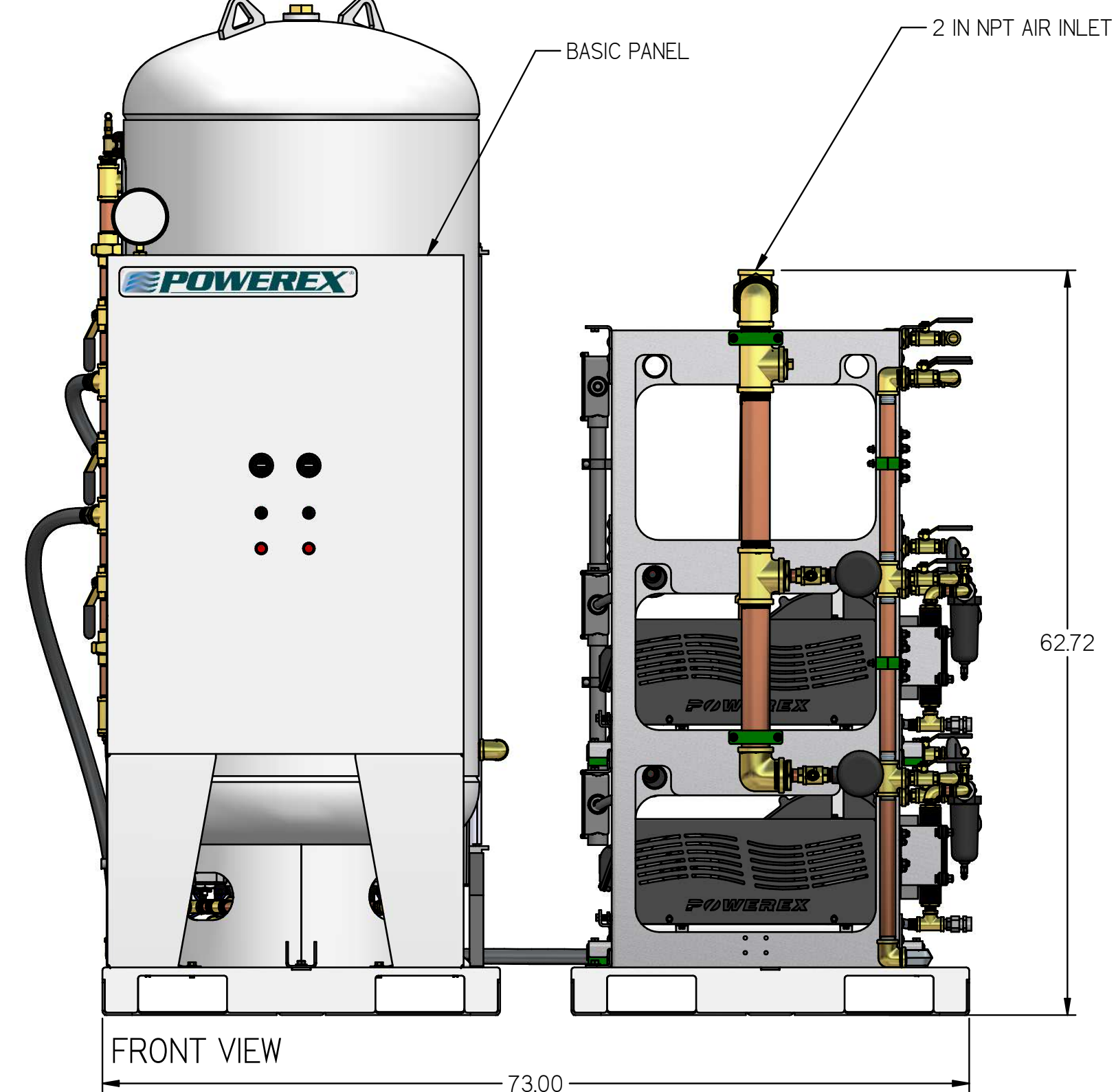
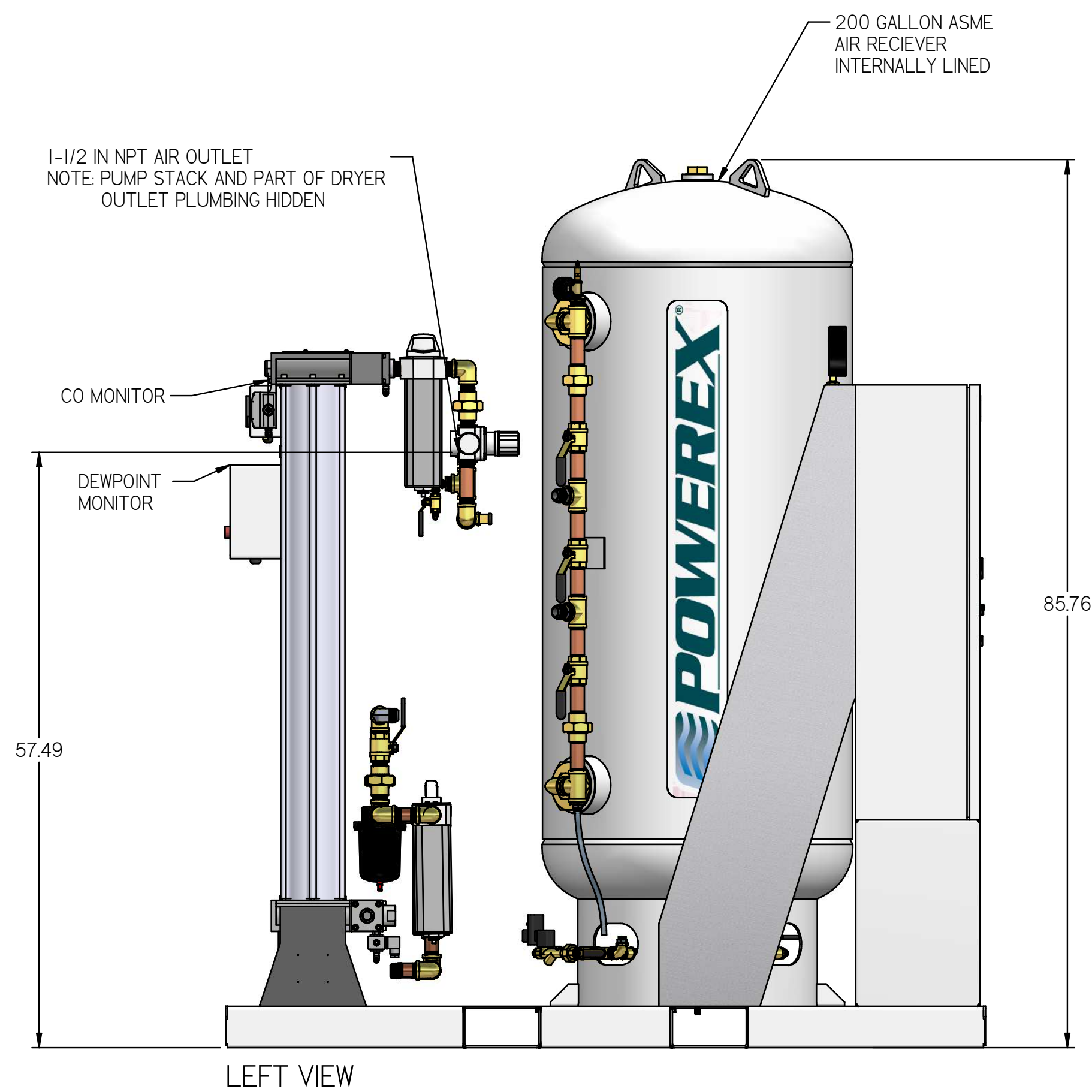
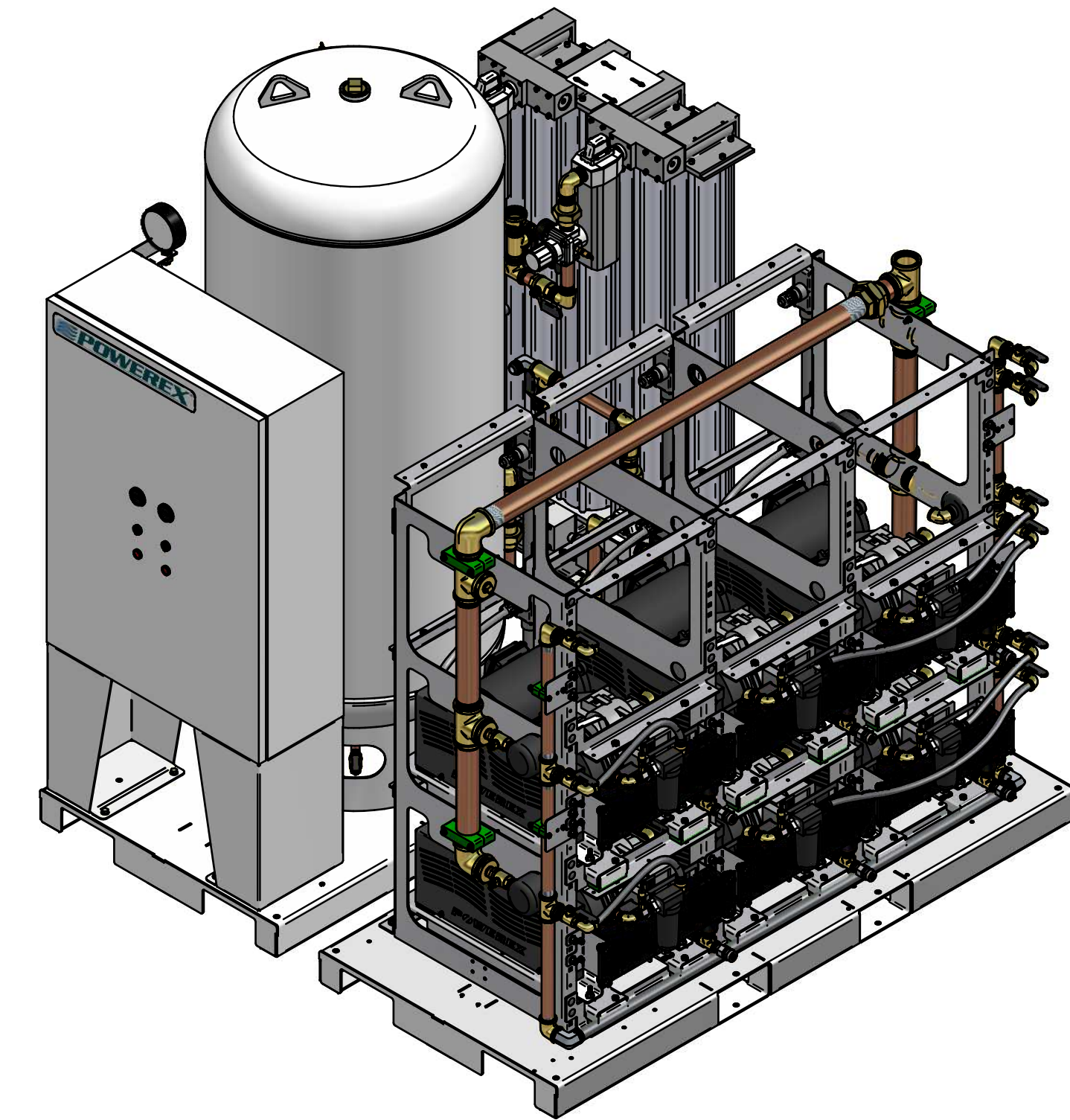
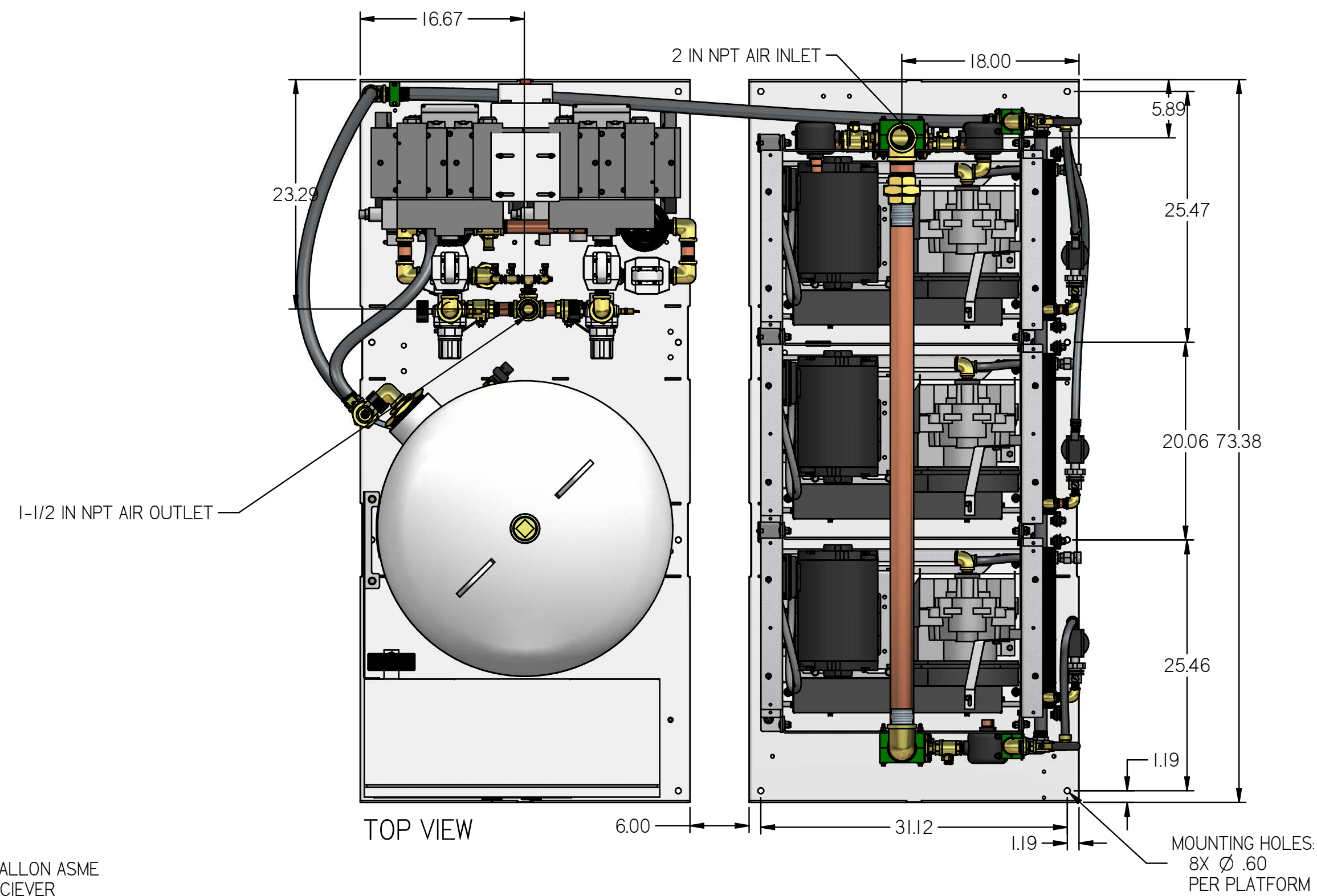
SYMBOL LEGEND		DRAWINGS TO CONFORM TO CURRENT REVISION OF THE FOLLOWING ANSI STANDARDS:		
TOLERANCES NOT SPECIFIED	SOLID EDGE DRAWING	DO NOT SCALE DRAWING FOR DIMENSIONS		
0.XXX ± .01	INCH	SHEET 1 OF 5	SCALE	1:1.11
0.XXX ± .005				
CONFIDENTIAL DISCLOSURE: This drawing is the property of POWEREX or the SCOTT FETTER COMPANY and is subject to return on demand. Its contents are confidential and must not be copied or submitted to outside parties for use or examination.		AUTHOR	ORIGINATION DATE	APPROVALS ON FILE IN PLM
PART NO: 716544		ASoulek	11/5/2018	
MATERIAL: SEE PART NOTES				
DESCRIPTION: MED OPEN SCROLL 15HP DUPLLEX EXPANDABLE TO TRI WITH 200 GALLON TANK				
DRAWING NUMBER: MSDI5A5-EX3		REVISION: B	SIZE: D	



# MSDI5A5-EX3

MED OPEN SCROLL 15HP  
 DUPLLEX EXPANDABLE TO  
 TRI WITH 200 GALLON TANK  
 BASIC PANEL

REVISION NOTES		
DESCRIPTION	ECN	PR/NOR
PRODUCTION RELEASE	PXEC0169	N/A



- NOTES:  
 1. APPROX SYSTEM WEIGHT: 4199 LB  
 2. 24" MINIMUM MAINTENANCE CLEARANCE RECOMMENDED ALL SIDES. CLEARANCE FOR CONTROL PANEL SHALL BE IN ACCORDANCE WITH OSHA/NEC REQUIREMENTS

SYMBOL LEGEND		DRAWINGS TO CONFORM TO CURRENT REVISION OF THE FOLLOWING ANSI STANDARDS:		
TOLERANCES NOT SPECIFIED	SOLID EDGE DRAWING	1:43 MULTI AND SECTIONAL VIEW DIMS	1:43 DIMENSIONING AND TOLERANCING	
0.XXX ± .01	DRAWING	DO NOT SCALE DRAWING FOR DIMENSIONS		
0.XXX ± .005		SHEET 2 OF 5	SCALE	1:1.11
CONFIDENTIAL DISCLOSURE: This drawing is the property of POWEREX of the SCOTT FETTER COMPANY and is subject to return on demand. Its contents are confidential and must not be copied or submitted to outside parties for use or examination.		AUTHOR	ORIGINATION DATE	APPROVALS ON FILE IN PLM
716544		ASoulek	11/5/2018	
MATERIAL: SEE PART NOTES				
DESCRIPTION: MED OPEN SCROLL 15HP DUPLLEX EXPANDABLE TO TRI WITH 200 GALLON TANK		DRAWING NUMBER: MSDI5A5-EX3	REVISION: B	SIZE: D

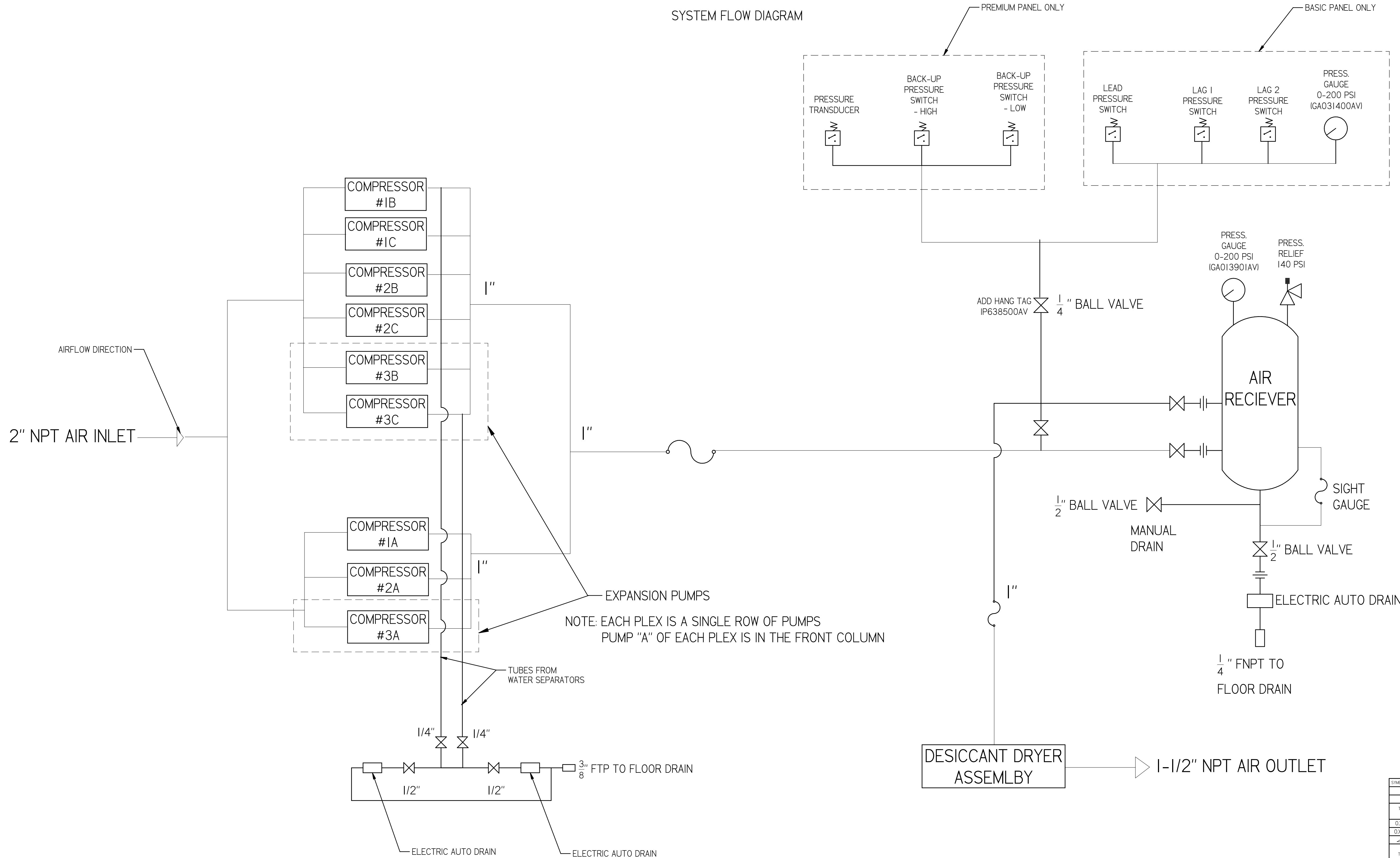


# MSDI5A5-EX3

MED OPEN SCROLL 15HP  
 DUPLEX EXPANDABLE TO  
 TRI WITH 200 GALLON TANK

SYSTEM FLOW DIAGRAM

REVISION NOTES		
DESCRIPTION	ECN	PR/NOR
PRODUCTION RELEASE	PXECO169	N/A

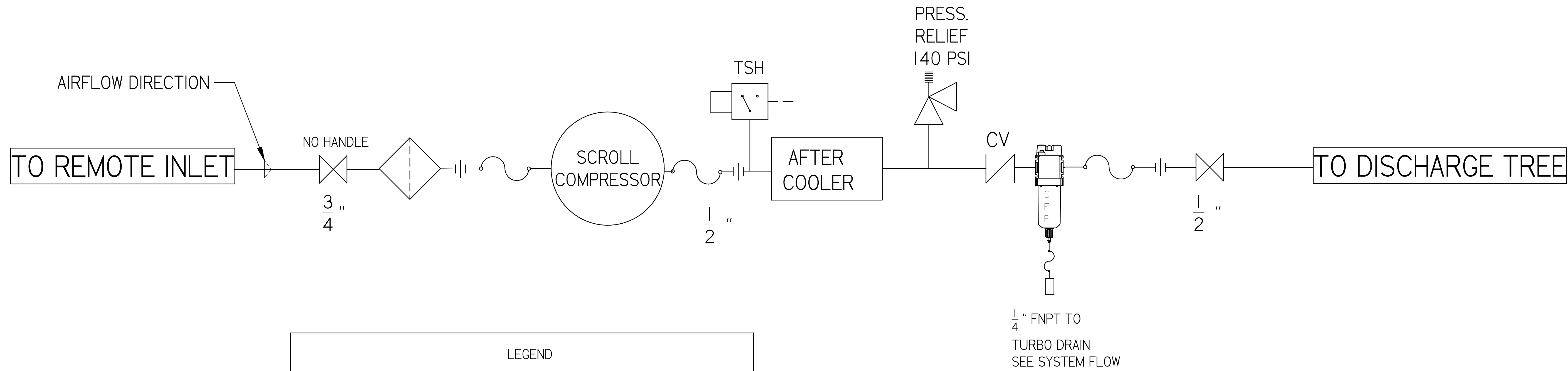


SYMBOL LEGEND		DRAWINGS TO CONFORM TO CURRENT REVISION OF THE FOLLOWING ANSI STANDARDS:	
		Y14.3 MULTI-VIEW AND SECTIONAL VIEW DIMS	
		Y14.5 DIMENSIONING AND TOLERANCING	
TOLERANCES NOT SPECIFIED	SOLID EDGE DRAWING	DO NOT SCALE DRAWING FOR DIMENSIONS	
0.XXX ± .01	INCH	SHEET 3 OF 5	SCALE 1:1
0.XXX ± .005			
± .5			
CONFIDENTIAL DISCLOSURE This drawing is the property of POWEREX of the SCOTT FETTER COMPANY and is subject to return on demand. Its contents are confidential and must not be copied or submitted to outside parties for use or examination.		AUTHOR	ORIGINATION DATE
		ASoulek	11/5/2018
TITLE: 716544 MATERIAL: SEE PART NOTES			
DESCRIPTION: MED OPEN SCROLL 15HP DUPLEX EXPANDABLE TO TRI WITH 200 GALLON TANK		DRAWING NUMBER: MSDI5A5-EX3	REVISION: B
			SIZE: D

REVISION NOTES		
DESCRIPTION	ECN	PR/NOR
PRODUCTION RELEASE	PXECO169	N/A

# MSDI5A5-EX3

MED OPEN SCROLL 15HP  
 DUPLEX EXPANDABLE TO  
 TRI WITH 200 GALLON TANK  
 MEDICAL COMPRESSOR  
 FLOW DIAGRAM



LEGEND	
	RELIEF VALVE
	INTAKE FILTER
	AIR FILTER
	3 WAY VALVE
	CARBON FILTER
	BALL VALVE
	PRESSURE SWITCH
	REGULATOR
	SEPARATOR
	CHECK VALVE
	FLEX LINE
	TSH HIGH TEMP SWITCH

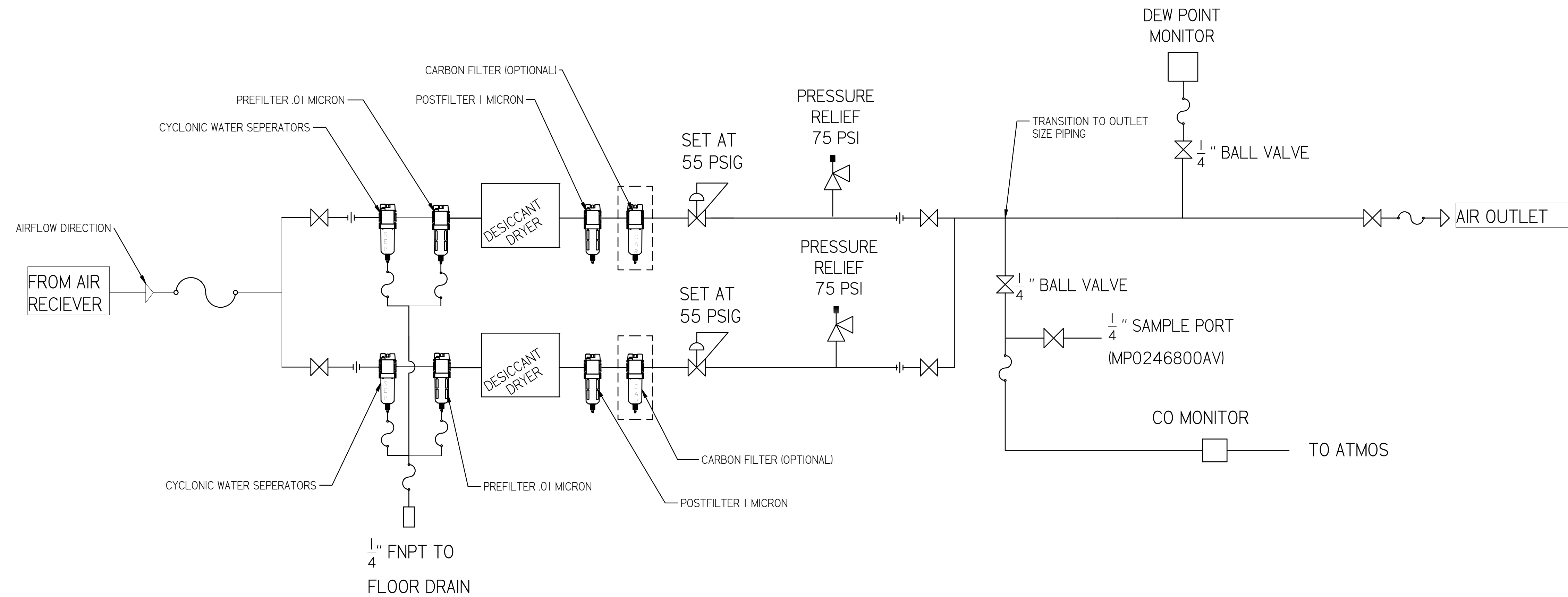
SYMBOL LEGEND		DRAWINGS TO CONFORM TO CURRENT REVISION OF THE FOLLOWING ANSI STANDARDS:	
TOLERANCES NOT SPECIFIED:		Y14.3 MULTI AND SECTIONAL VIEW DIMS	
0.XXX ± .01	SOLID EDGE DRAWING	Y14.5 DIMENSIONING AND TOLERANCING	
0.XXX ± .005		DO NOT SCALE DRAWING FOR DIMENSIONS	
∠ ± .5	INCH	SHEET 4 OF 5	SCALE 1:1
<small>CONFIDENTIAL DISCLOSURE</small> This drawing is the property of POWEREX of the SCOTT FETTER COMPANY and is subject to return on demand. Its contents are confidential and must not be copied or submitted to outside parties for use or examination.		AUTHOR	APPROVALS ON FILE IN PLM
DRAWN BY: 716544 MATERIAL: SEE PART NOTES	ASoulek	ORIGINATION DATE: 11/5/2018	
DESCRIPTION: MED OPEN SCROLL 15HP DUPLEX EXPANDABLE TO TRI WITH 200 GALLON TANK		DRAWING NUMBER: MSDI5A5-EX3	REVISION: B SIZE: D



REVISION NOTES		
DESCRIPTION	ECN	PR/NOR
PRODUCTION RELEASE	PXECO169	N/A

# MSDI5A5-EX3

MED OPEN SCROLL 15HP  
 DUPLEX EXPANDABLE TO  
 TRI WITH 200 GALLON TANK  
 MEDICAL DRYER  
 FLOW DIAGRAM



PUMP COUNT	DRYER PLUMBING SIZE	OUTLET PIPE SIZE
2	1/2"	1/2"
3	1/2"	1"
4	1/2"	1"
6	1"	1-1/2"
8	1"	1-1/2"
9	1"	1-1/2"
12	1-1/2"	2"
15	1-1/2"	2"
18	1-1/2"	2"

SYMBOL LEGEND		DRAWINGS TO CONFORM TO CURRENT REVISION OF THE FOLLOWING ANSI STANDARDS: Y14.3 MULTI AND SECTIONAL VIEW DIMS Y14.5 DIMENSIONING AND TOLERANCING	
TOLERANCES NOT SPECIFIED	SOLID EDGE DRAWING	DO NOT SCALE DRAWING FOR DIMENSIONS	
0.001 ± .001		SHEET 5 OF 5	SCALE 1:1
0.005 ± .005	INCH	APPROVALS ON FILE IN PLM	
0.010 ± .010	INCH	A Soulek	11/5/2018
<small>CONFIDENTIAL DISCLOSURE</small> This drawing is the property of POWEREX or the SCOTT FETTER COMPANY and is subject to return on demand. Its contents are confidential and must not be copied or submitted to outside parties for use or examination.			
FROM: 716544 MATERIAL: SEE PART NOTES		DRAWING NUMBER: MSDI5A5-EX3	REVISION: B SIZE: D
DESCRIPTION: MED OPEN SCROLL 15HP DUPLEX EXPANDABLE TO TRI WITH 200 GALLON TANK			

