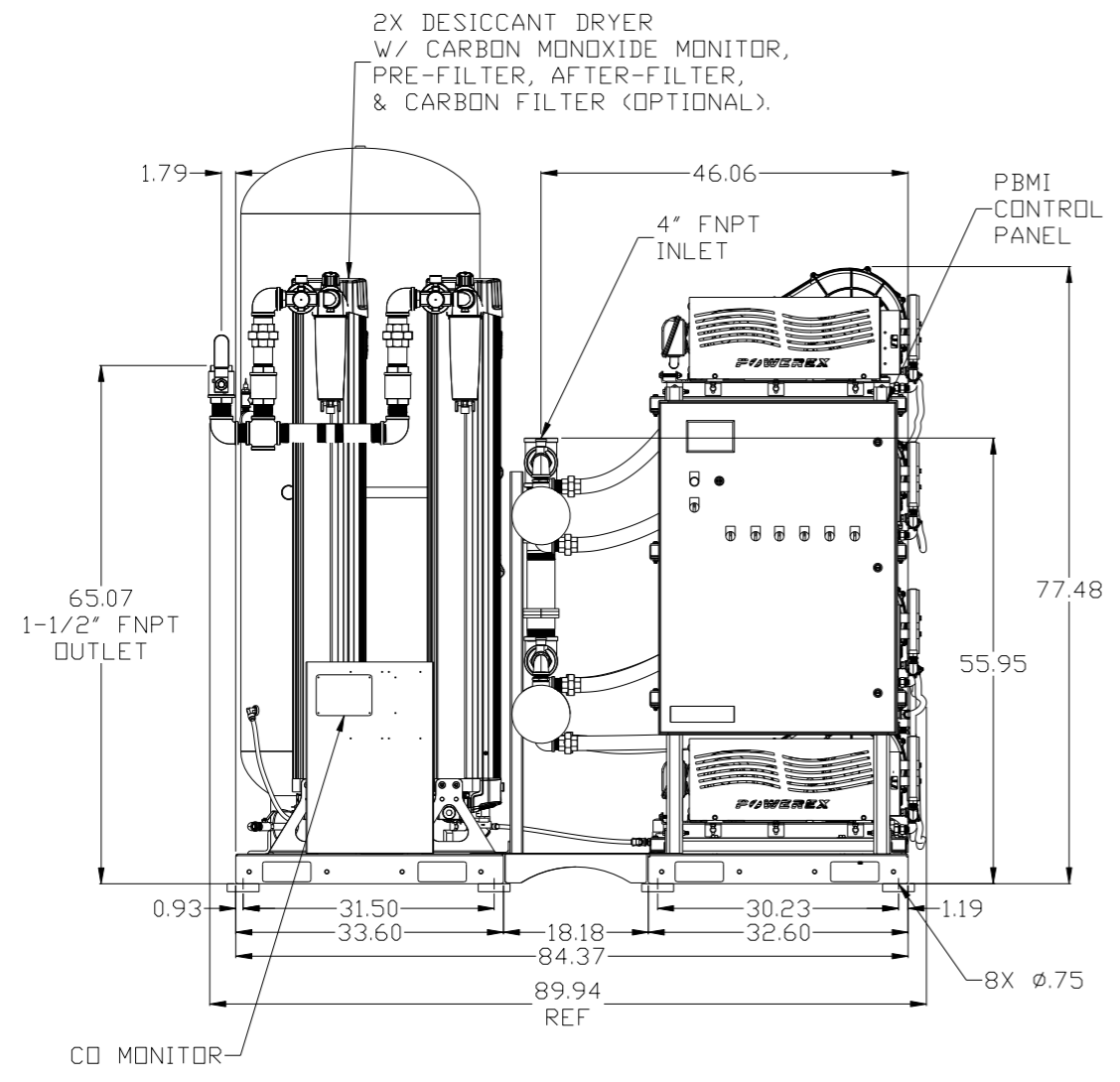
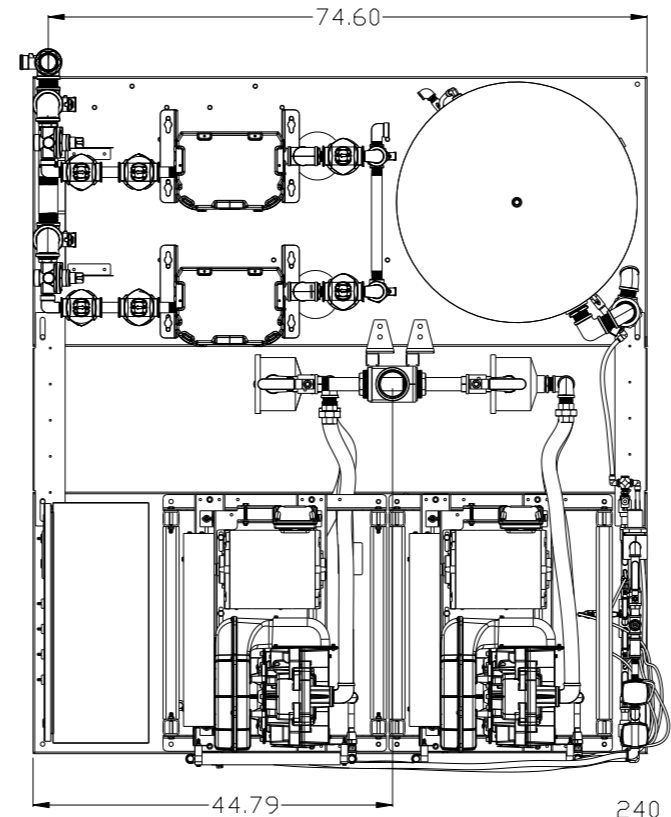


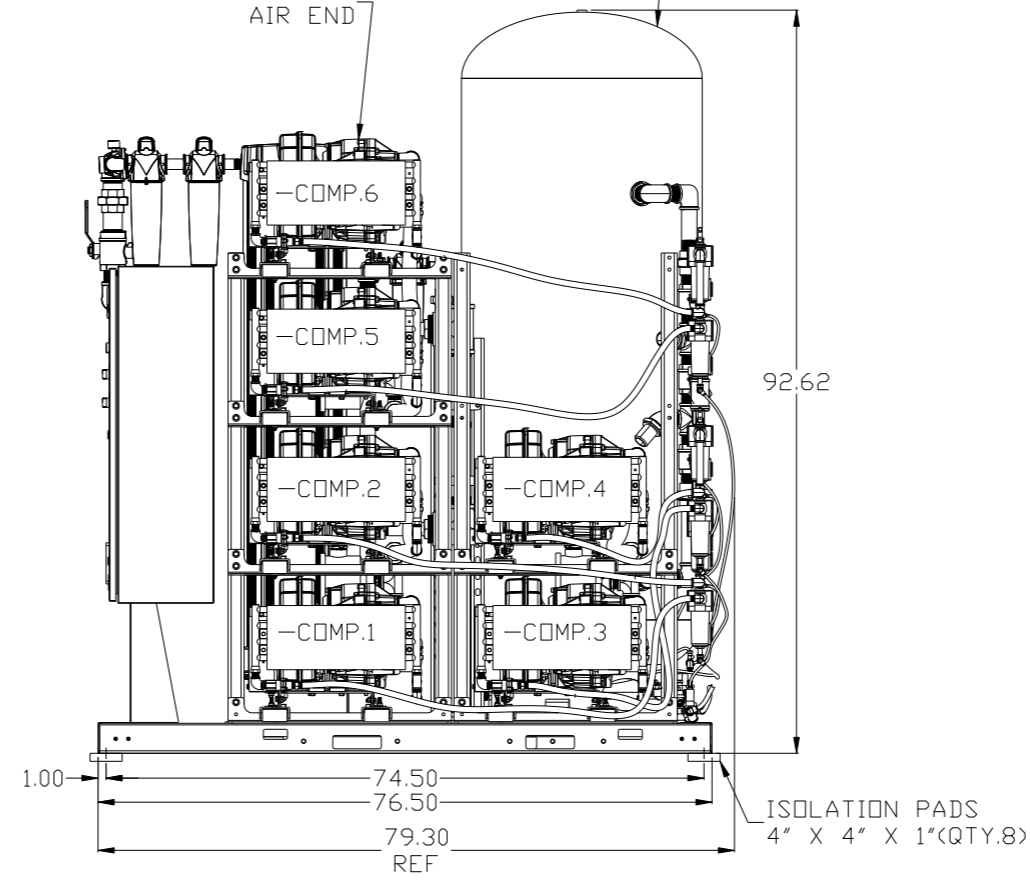
8 7 6 5 4 3 2 1

NOTE: A MINIMUM OF 24" CLEARANCE IS RECOMMENDED AROUND THE ENTIRE UNIT.

REV	ZONE	REVISION	DATE	ECN	NAME	CHKD
B-1	ALL	RELEASE TO PRODUCTION	5/22/14	PXEC0057	AEK	GES
C-1	ALL	UPDATED TO WAVE 2 DESIGN	6/10/15	PXEC0093	AEK	GES
D-1	BK-DE	CORRECTED PUMP SRV LOCATION	8/12/16	PXEC0159	AEK	GES



6X 10HP DILLESS SCROLL AIR END
240 GALLON ASME AIR RECEIVER INTERNALLY LINED

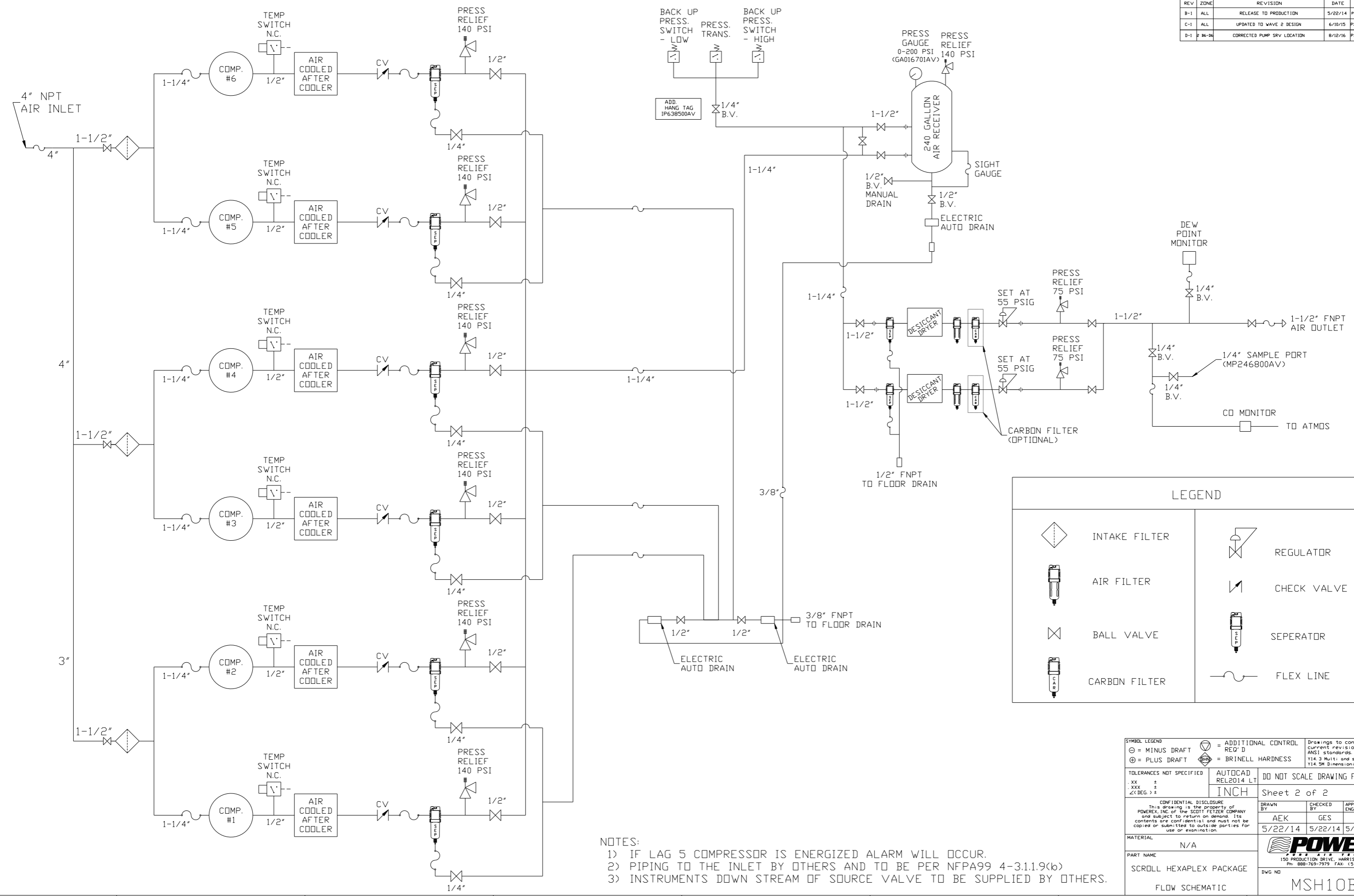


NOTE: SYSTEM DESIGNED IN COMPLIANCE WITH US NFPA'99, LATEST EDITION.

SYMBOL LEGEND		= ADDITIONAL CONTROL REQ'D		Drawings to conform to the current revision of the following ANSI standards:	
⊖	MINUS DRAFT	⊕	PLUS DRAFT	⊖	BRINELL HARDNESS
TOLERANCES NOT SPECIFIED		AUTOCAD REL2014 LT		DO NOT SCALE DRAWING FOR DIMENSIONS	
.XX ±		INCH		Sheet 1 of 2	SCALE 1:12
.XXX ±					
<<DEG>> ±					
CONFIDENTIAL DISCLOSURE: This drawing is the property of POWEREX, INC. of the SCOTT FEITZER COMPANY and subject to return on demand. Its contents are confidential and must not be copied or submitted to outside parties for use or examination.					
DRAWN BY		CHECKED BY		APPROVED BY	
AEK		GES		DMS RJR	
5/22/14		5/22/14		5/22/14 5/22/14	
MATERIAL N/A		 150 PRODUCTION DRIVE, HARRISON, OHIO 45030 Ph: 888-769-7979 FAX: (513) 367-3125			
PART NAME					
10HP SCROLL HEXAPLEX 240GAL DUPLEX DESICCANT					
DWG NO		MSH10B6		SIZE D	

8 7 6 5 4 3 2 1

REV	ZONE	REVISION	DATE	ECN	NAME	CHKD
B-1	ALL	RELEASE TO PRODUCTION	5/22/14	PXEC0097	AEK	GES
C-1	ALL	UPDATED TO WAVE 2 DESIGN	6/10/15	PXEC0093	AEK	GES
D-1	B6-D6	CORRECTED PUMP SRV LOCATION	8/12/16	PXEC0159	AEK	GES



LEGEND	
	INTAKE FILTER
	AIR FILTER
	BALL VALVE
	CARBON FILTER
	REGULATOR
	CHECK VALVE
	SEPERATOR
	FLEX LINE

- NOTES:
- 1) IF LAG 5 COMPRESSOR IS ENERGIZED ALARM WILL OCCUR.
 - 2) PIPING TO THE INLET BY OTHERS AND TO BE PER NFPA99 4-3.1.1.9(b)
 - 3) INSTRUMENTS DOWN STREAM OF SOURCE VALVE TO BE SUPPLIED BY OTHERS.

SYMBOL LEGEND		= ADDITIONAL CONTROL REQ'D		Drawings to conform to the current revision of the following ANSI standards:	
⊖	MINUS DRAFT	⊕	PLUS DRAFT	Y14.3 Multi and sectional view dgs. Y14.5M Dimensioning and tolerancing	
TOLERANCES NOT SPECIFIED		AUTOCAD REL2014 LT		DO NOT SCALE DRAWING FOR DIMENSIONS	
.XX ±		INCH		Sheet 2 of 2	SCALE 1:12
CONFIDENTIAL DISCLOSURE This drawing is the property of POWEREX, INC. of the SCOTT FETZER COMPANY and subject to return on demand. Its contents are confidential and must not be copied or submitted to outside parties for use or examination.					
DRAWN BY		CHECKED BY		APPROVED BY	
AEK		GES		DMS RJR	
5/22/14		5/22/14		5/22/14	
MATERIAL		N/A		POWEREX 150 PRODUCTION DRIVE, HARRISON, OHIO 45030 Ph 888-769-7979 FAX (513) 367-3125	
PART NAME		SCROLL HEXAPLEX PACKAGE		DWG NO	
FLOW SCHEMATIC				MSH10B6	
				SIZE D	