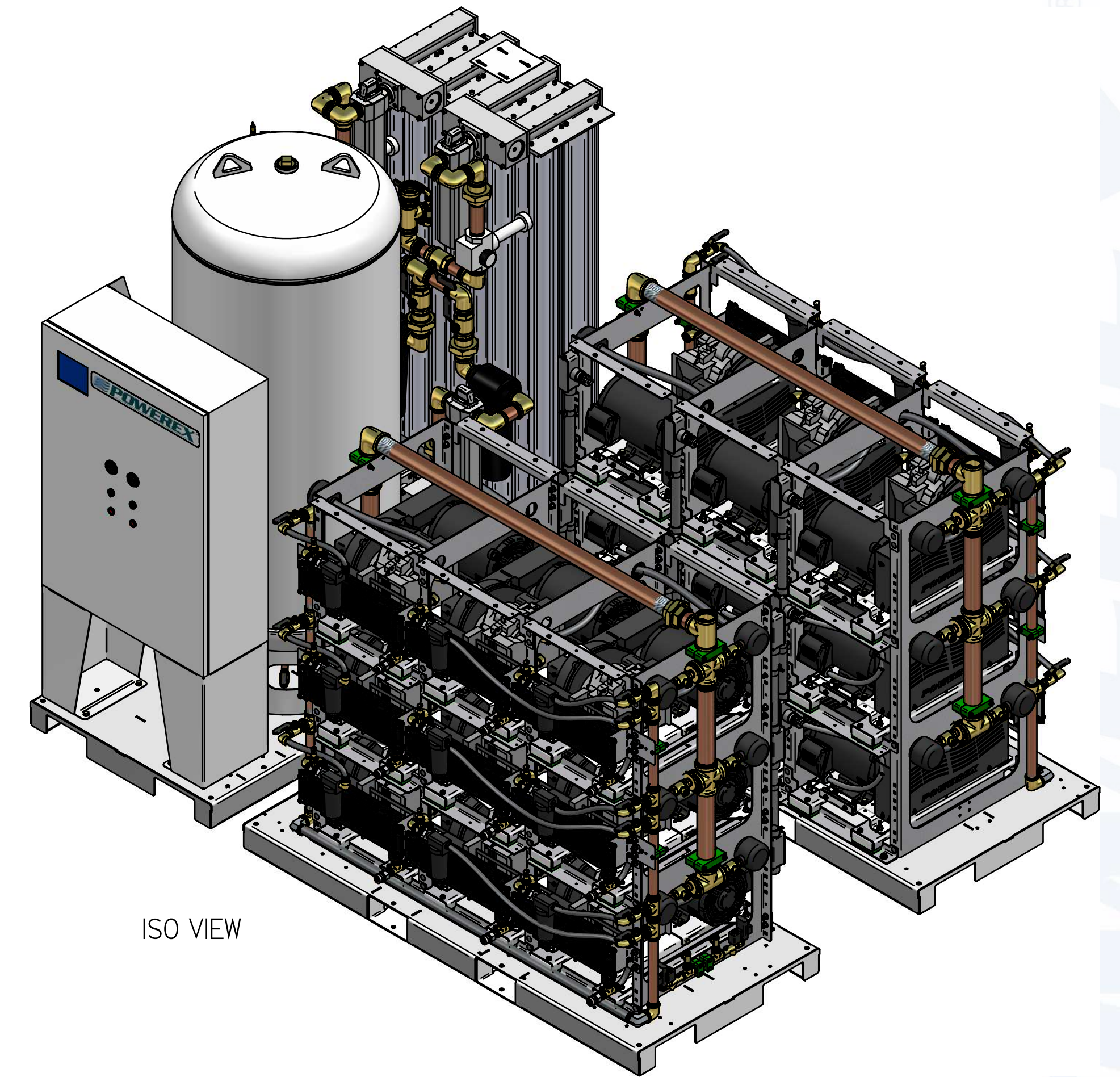
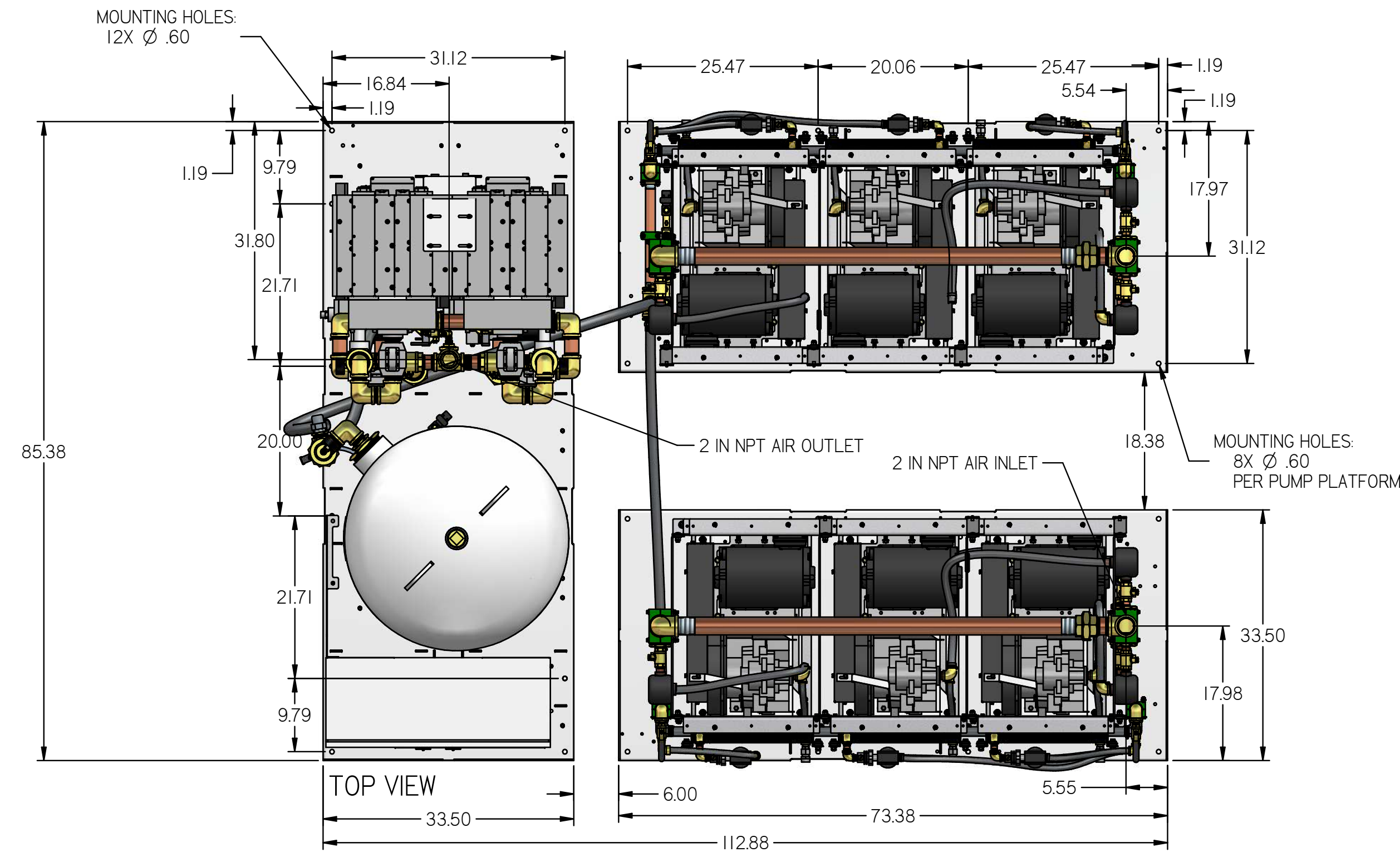


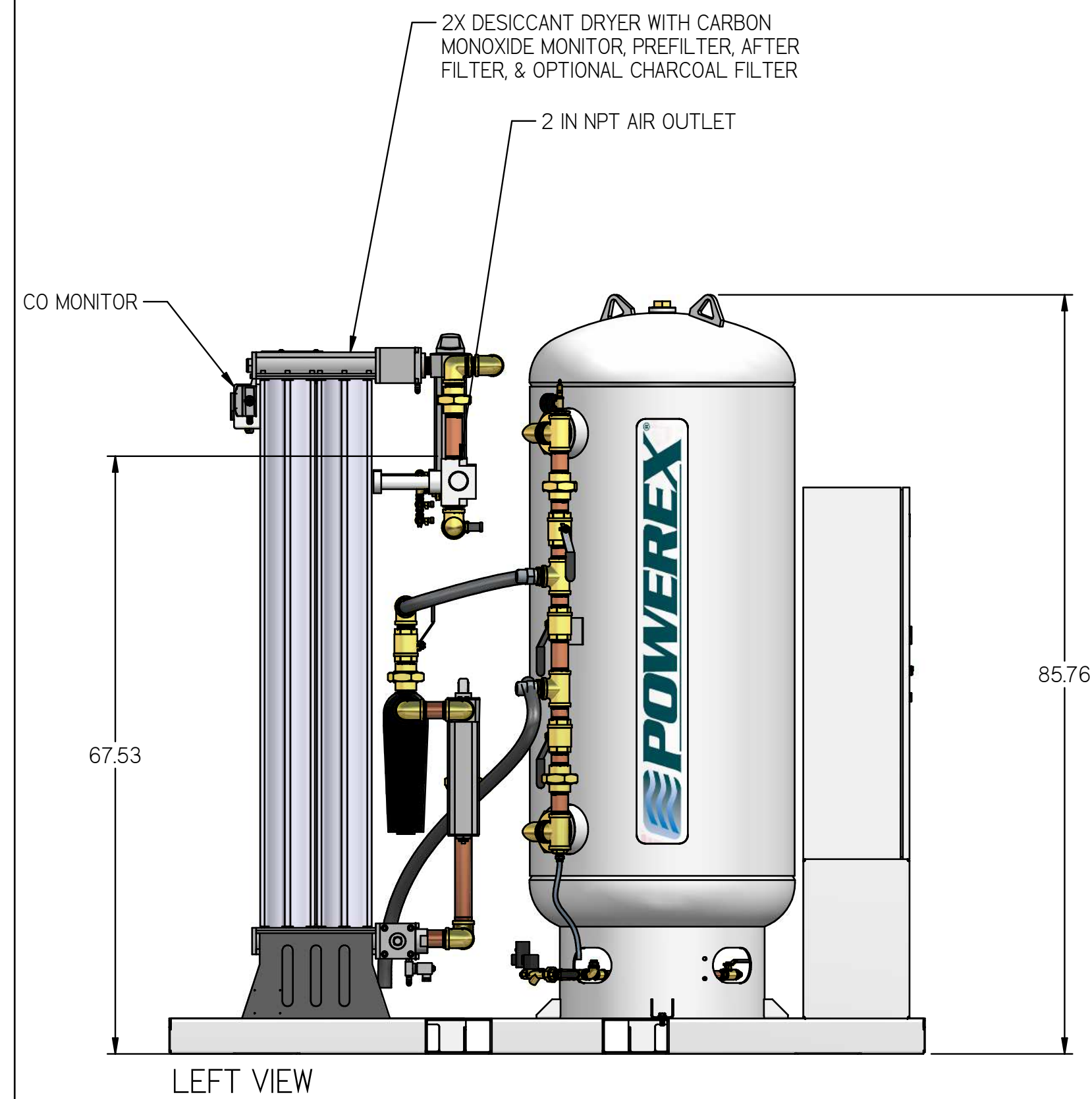
MSHI5A5

MED SCROLL 15 HP
HEXAPLEX WITH 200 GALLON
AIR RECIEVER
PREMIUM PANEL

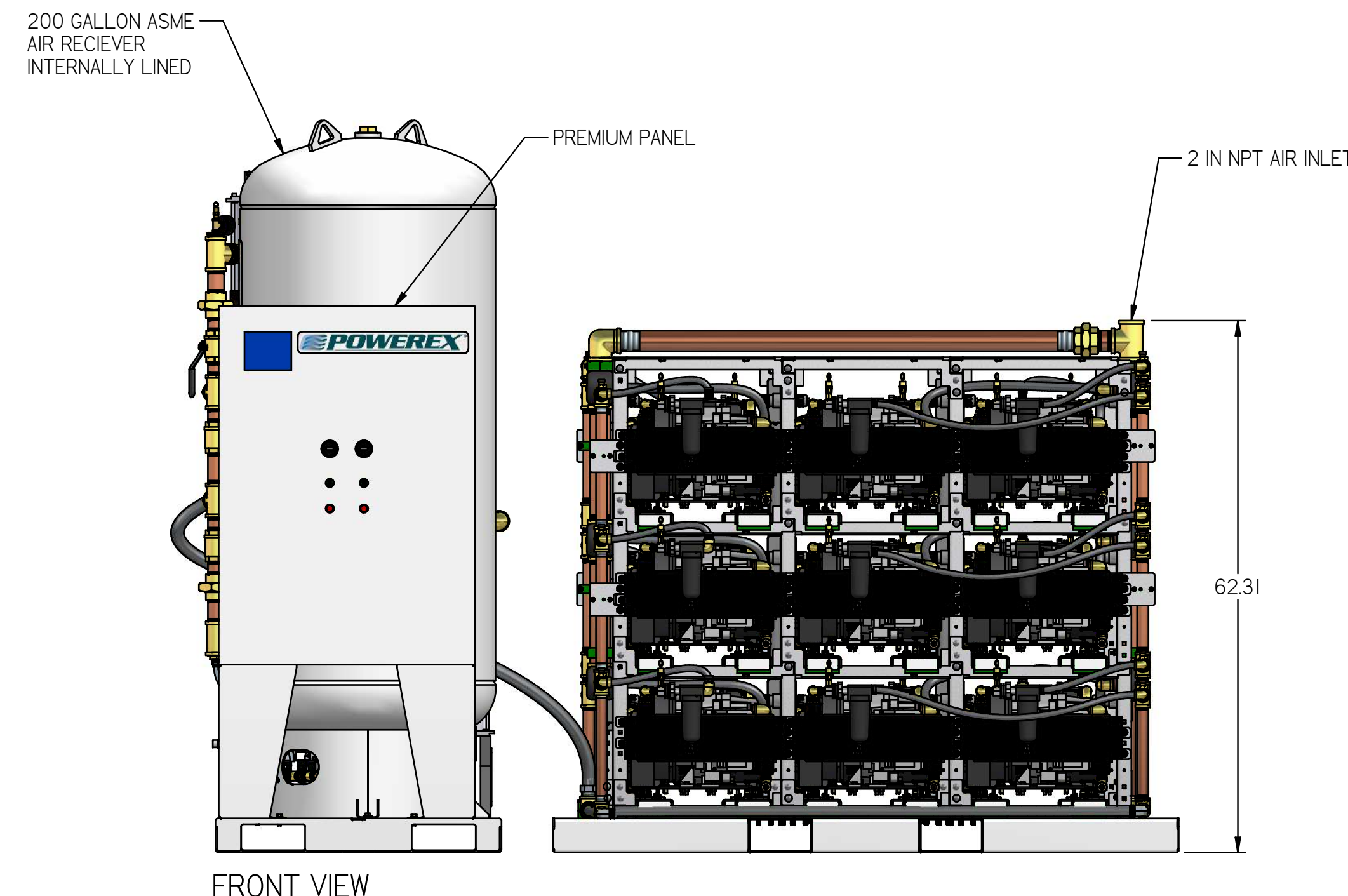
REVISION NOTES		
DESCRIPTION	ECN	PR/NOR
PRODUCTION RELEASE	PXECO169	N/A



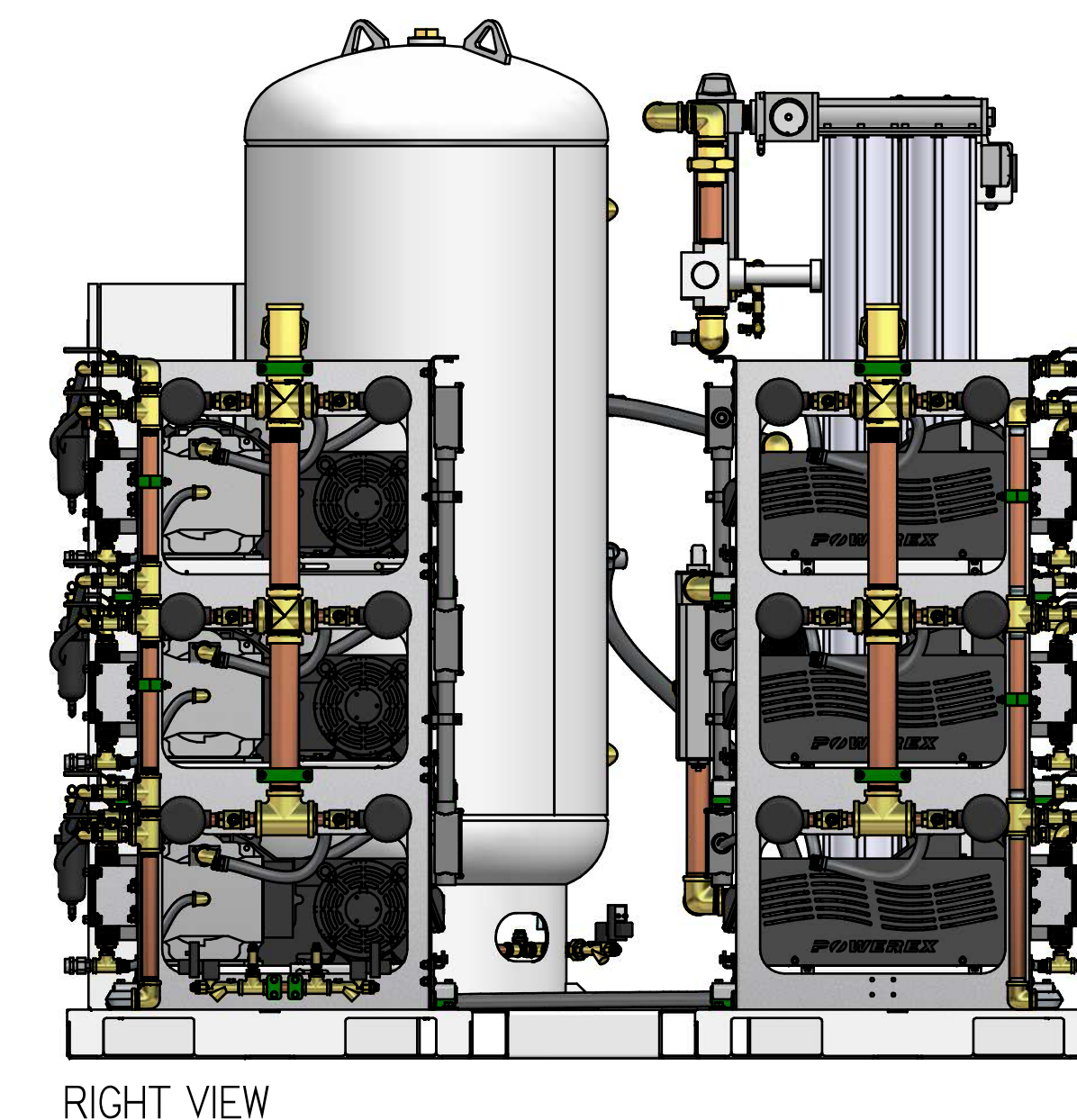
ISO VIEW



LEFT VIEW



FRONT VIEW



RIGHT VIEW

- NOTES:
- APPROX SYSTEM WEIGHT: 7753 LB
 - 24" MINIMUM MAINTENANCE CLEARANCE RECOMMENDED ALL SIDES. CLEARANCE FOR CONTROL PANEL SHALL BE IN ACCORDANCE WITH OSHA/NEC REQUIREMENTS

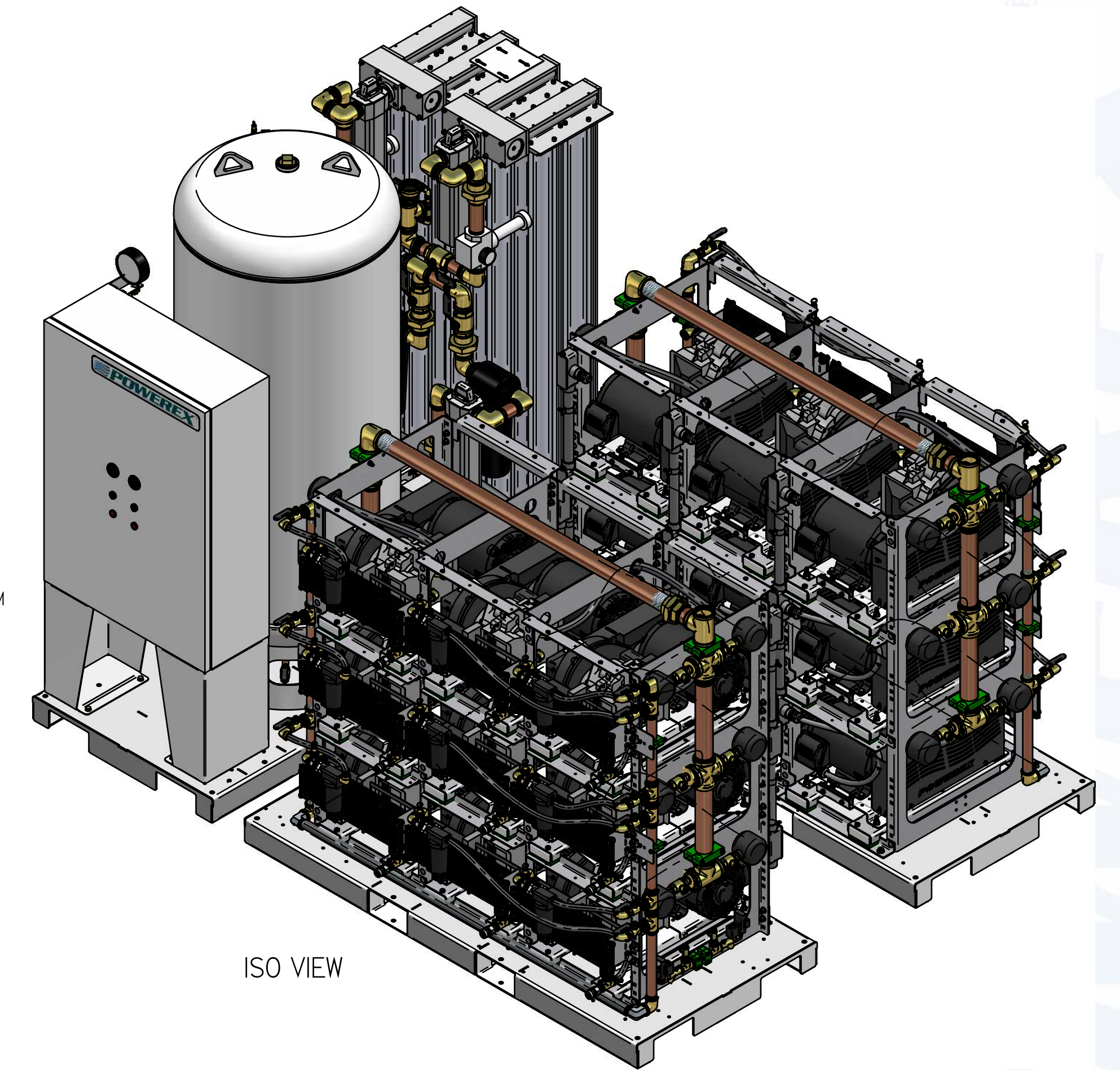
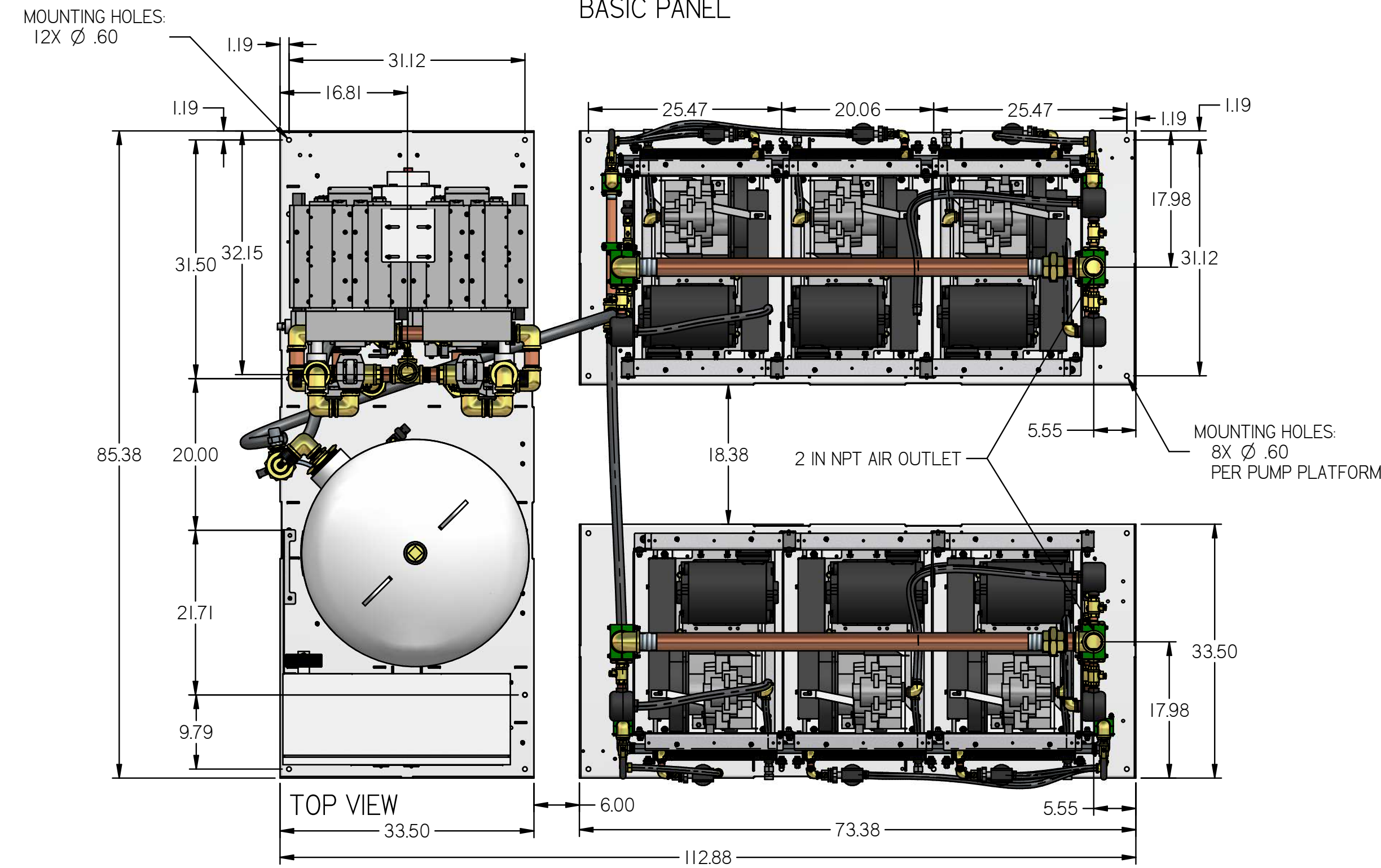
SYMBOL LEGEND		DRAWINGS TO CONFORM TO CURRENT REVISION OF THE FOLLOWING ANSI STANDARDS:		
		Y14.3 MULTI AND SECTIONAL VIEW DIMS		
		Y14.5 DIMENSIONING AND TOLERANCING		
TOLERANCES NOT SPECIFIED	SOLID EDGE DRAWING	DO NOT SCALE DRAWING FOR DIMENSIONS		
0.XXX ± .01				
0.XXX ± .005	INCH	SHEET 1 OF 5	SCALE	1:14.29
CONFIDENTIAL DISCLOSURE: This drawing is the property of POWEREX of the SCOTT FETER COMPANY and is subject to return on demand. Its contents are confidential and must not be copied or submitted to outside parties for use or examination.		AUTHOR	ORIGINATION DATE	APPROVALS ON FILE IN PLM
716500		ASoulek	11/5/2018	
MATERIAL: SEE PART DRAWINGS				
DESCRIPTION: MED SCROLL 15 HP HEXAPLEX WITH 200 GALLON AIR RECIEVER				
DRAWING NUMBER: MSHI5A5		REVISION: B	SIZE: D	

REVISION NOTES		
DESCRIPTION	ECN	PR/NOR
PRODUCTION RELEASE	PXEC0169	N/A

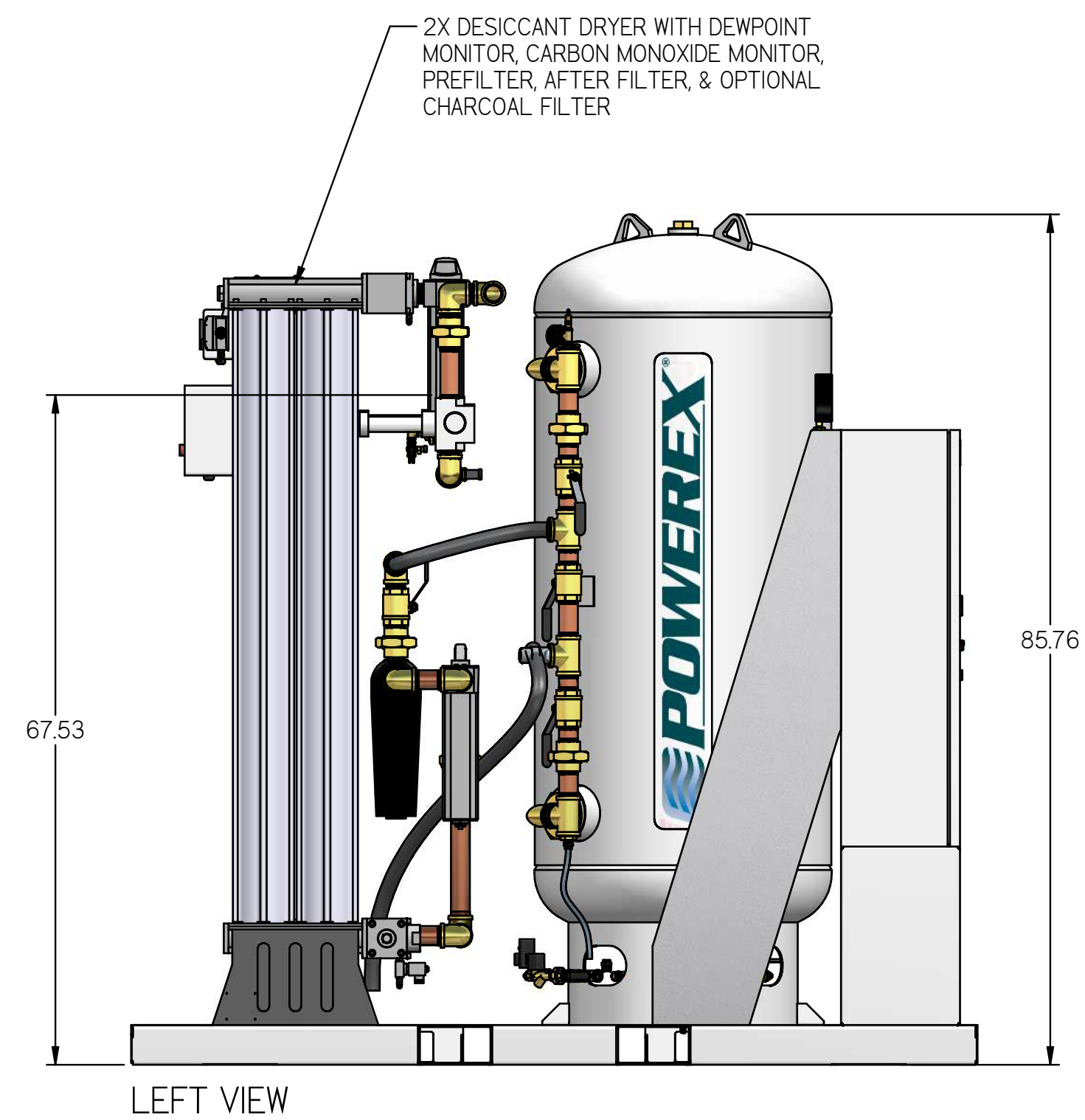
MSH15A5

MED SCROLL 15 HP HEXAPLEX WITH 200 GALLON AIR RECIEVER

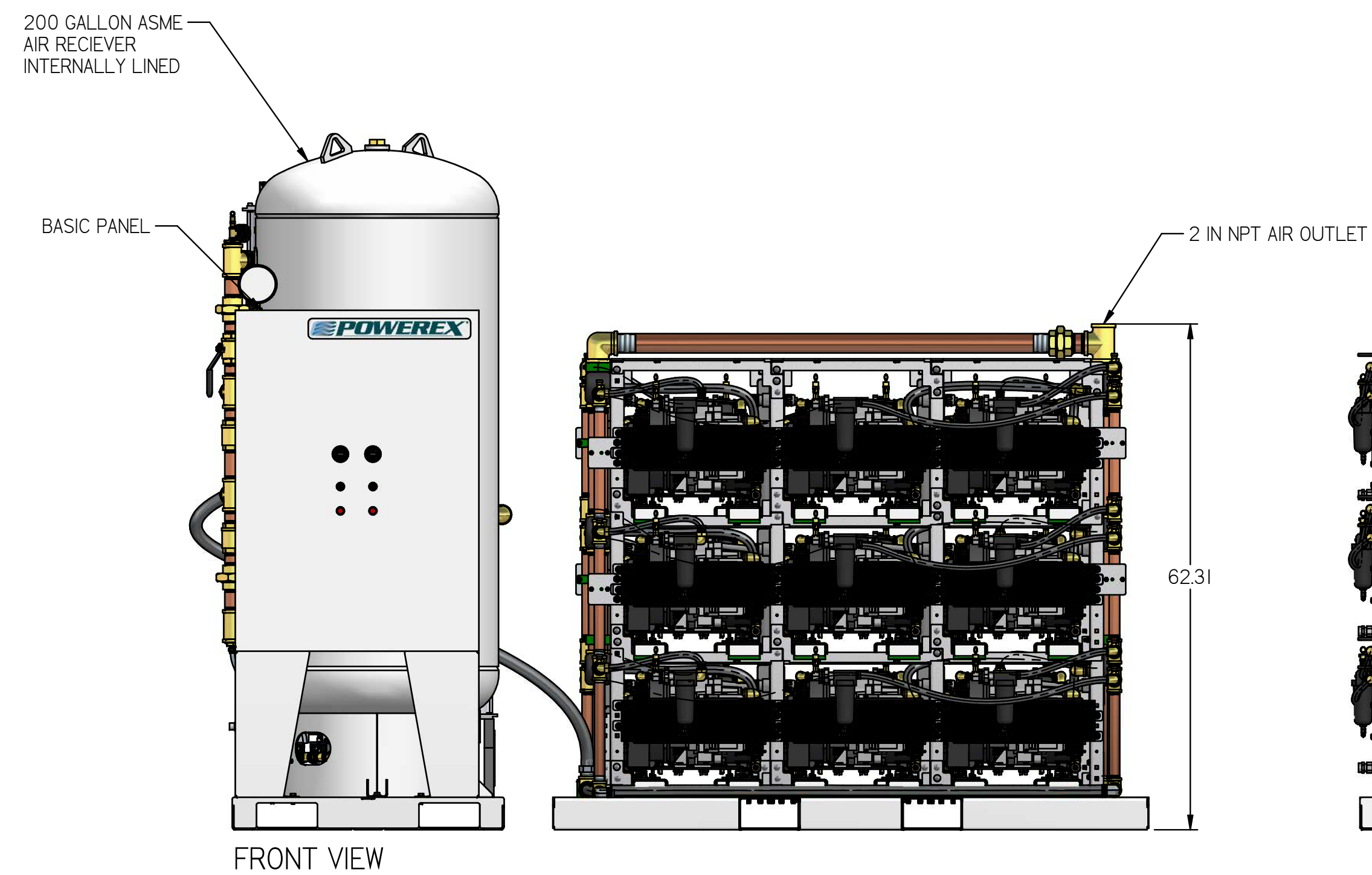
BASIC PANEL



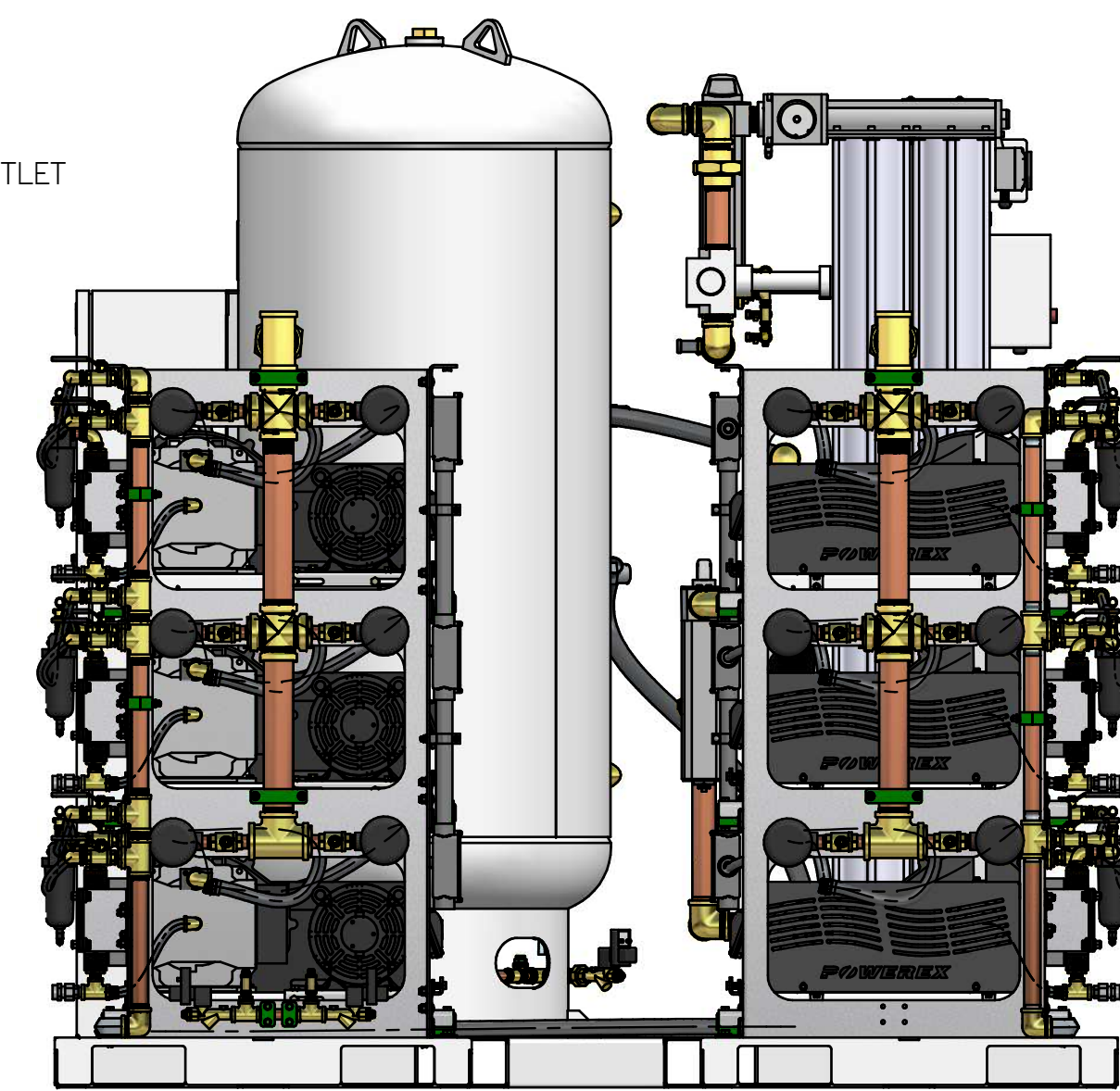
ISO VIEW



LEFT VIEW



FRONT VIEW



RIGHT VIEW

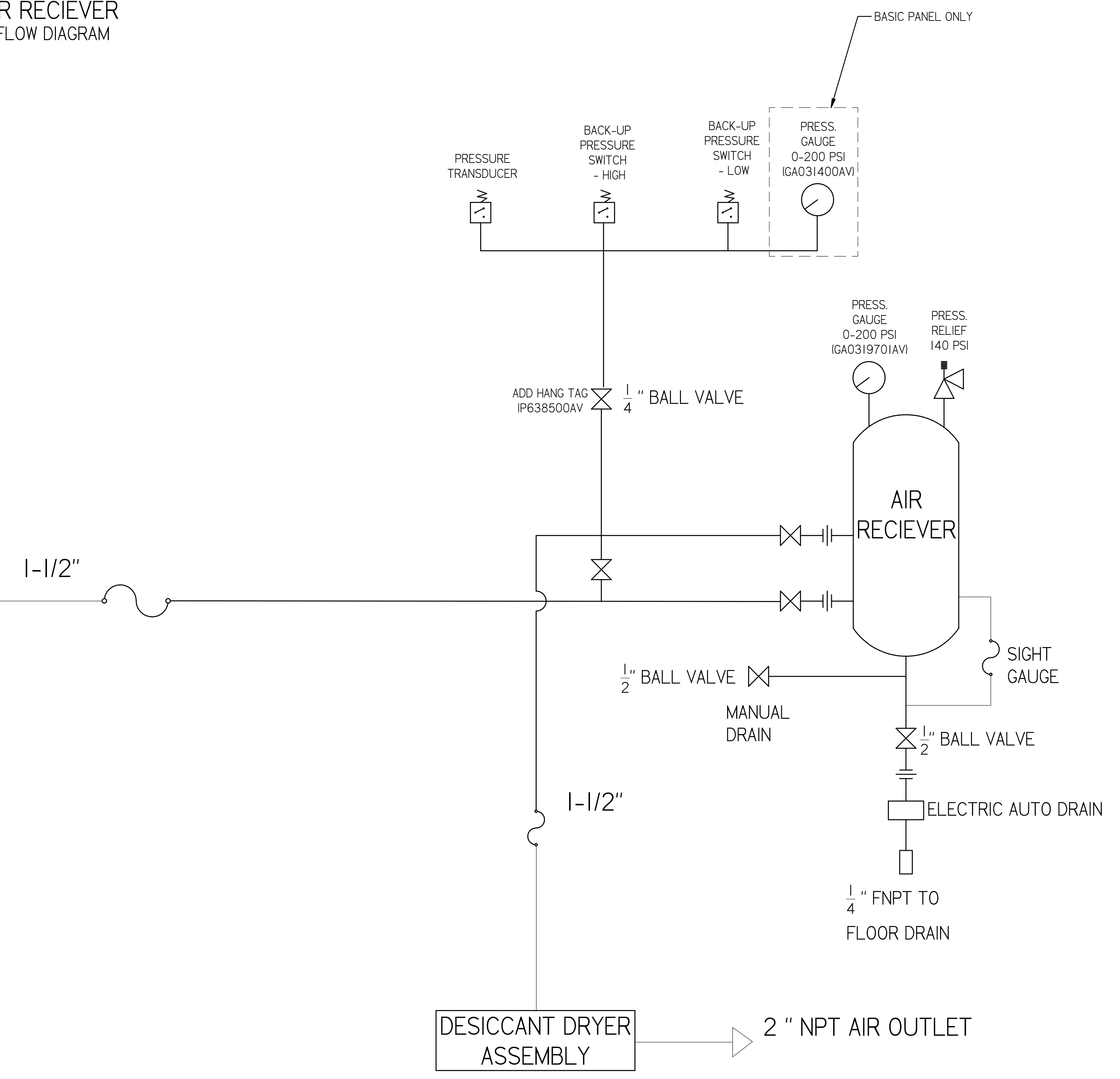
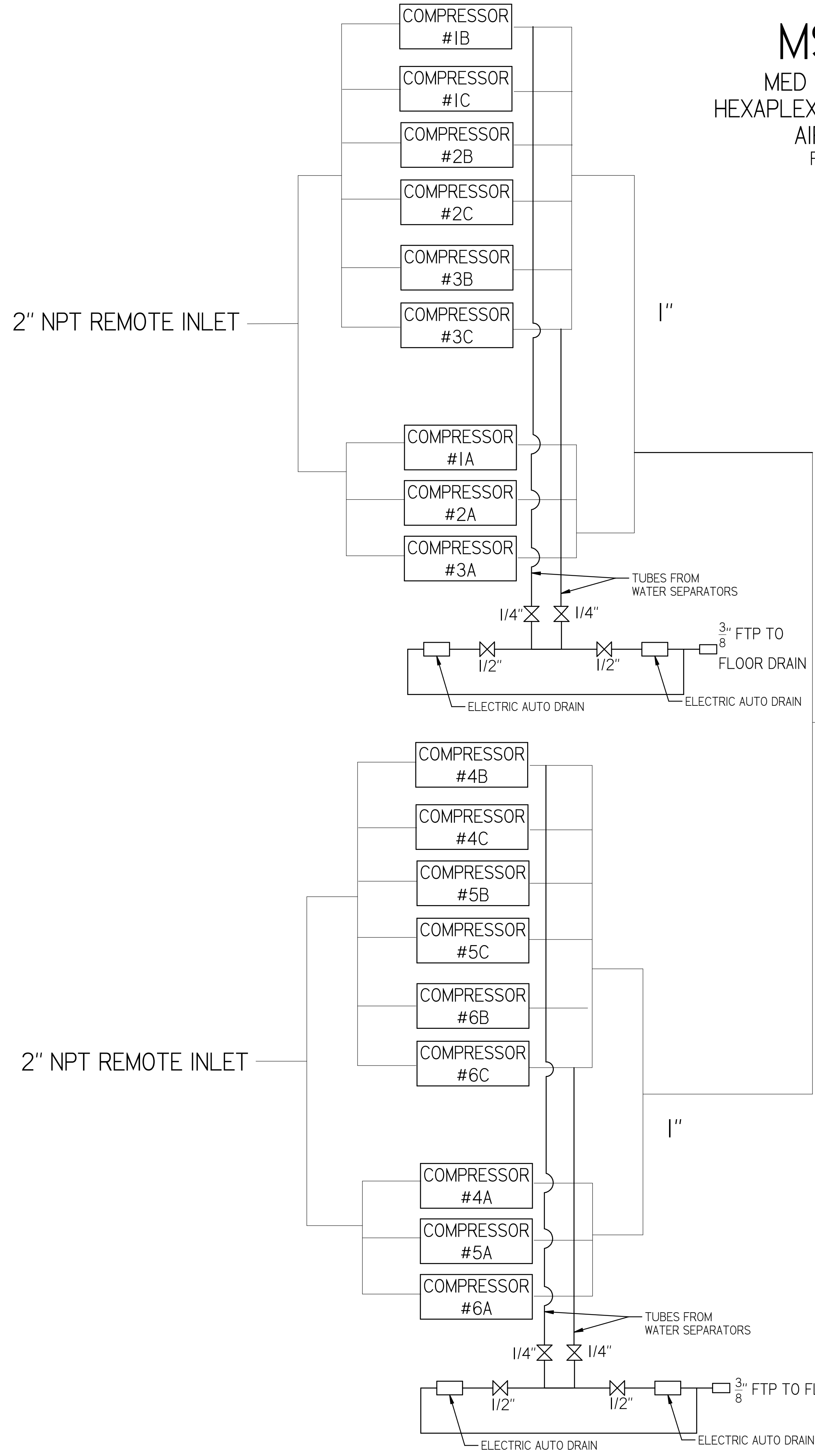
- NOTES:
- APPROX SYSTEM WEIGHT: 7753 LB
 - 24" MINIMUM MAINTENANCE CLEARANCE RECOMMENDED ALL SIDES. CLEARANCE FOR CONTROL PANEL SHALL BE IN ACCORDANCE WITH OSHA/NEC REQUIREMENTS

SYMBOL LEGEND		DRAWINGS TO CONFORM TO CURRENT REVISION OF THE FOLLOWING ANSI STANDARDS:	
TOLERANCES NOT SPECIFIED	SOLID EDGE DRAWING	DO NOT SCALE DRAWING FOR DIMENSIONS	
0.XXX ± .01	INCH	SHEET 2 OF 5	SCALE 1:14.29
0.XXX ± .005		APPROVALS ON FILE IN PLM	
<small>CONFIDENTIAL DISCLOSURE: This drawing is the property of POWEREX of the SCOTT FETTER COMPANY and is subject to return on demand. Its contents are confidential and must not be copied or submitted to outside parties for use or examination.</small>		AUTHOR	ORIGINATION DATE
<small>CONFIDENTIAL DISCLOSURE: This drawing is the property of POWEREX of the SCOTT FETTER COMPANY and is subject to return on demand. Its contents are confidential and must not be copied or submitted to outside parties for use or examination.</small>		ASoulek	11/5/2018
<small>CONFIDENTIAL DISCLOSURE: This drawing is the property of POWEREX of the SCOTT FETTER COMPANY and is subject to return on demand. Its contents are confidential and must not be copied or submitted to outside parties for use or examination.</small>			
<small>CONFIDENTIAL DISCLOSURE: This drawing is the property of POWEREX of the SCOTT FETTER COMPANY and is subject to return on demand. Its contents are confidential and must not be copied or submitted to outside parties for use or examination.</small>		DRAWING NUMBER	REVISION
<small>CONFIDENTIAL DISCLOSURE: This drawing is the property of POWEREX of the SCOTT FETTER COMPANY and is subject to return on demand. Its contents are confidential and must not be copied or submitted to outside parties for use or examination.</small>		MSH15A5	B
<small>CONFIDENTIAL DISCLOSURE: This drawing is the property of POWEREX of the SCOTT FETTER COMPANY and is subject to return on demand. Its contents are confidential and must not be copied or submitted to outside parties for use or examination.</small>		SIZE	D

REVISION NOTES		
DESCRIPTION	ECN	PR/NOR
PRODUCTION RELEASE	PXECO169	N/A

MSH15A5

MED SCROLL 15 HP
HEXAPLEX WITH 200 GALLON
AIR RECIEVER
FLOW DIAGRAM

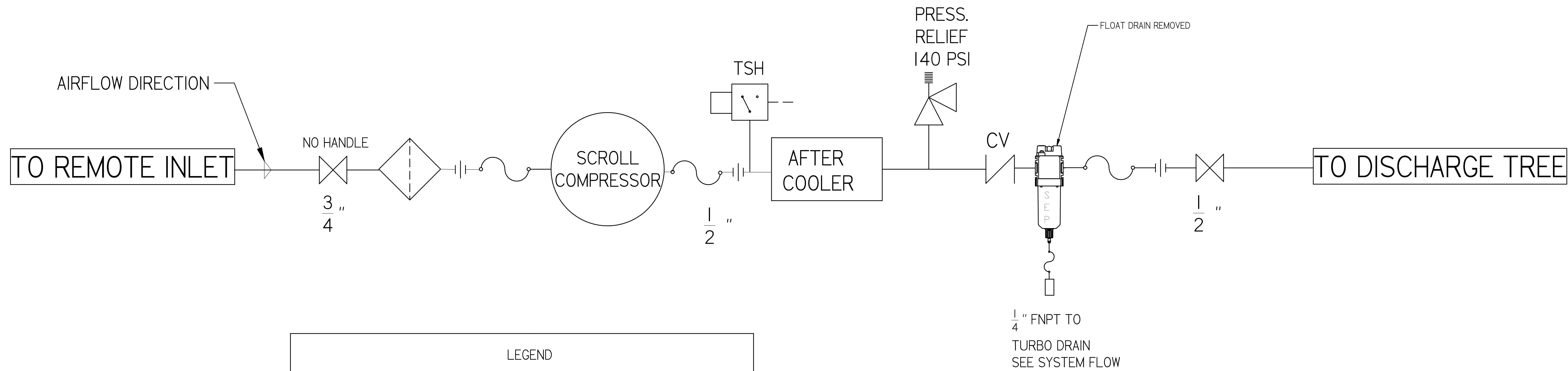


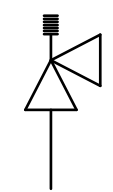
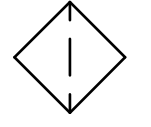
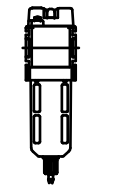

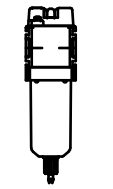

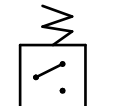
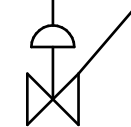
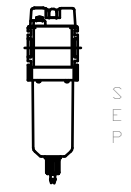


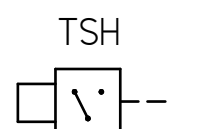
SYMBOL LEGEND		DRAWINGS TO CONFORM TO CURRENT REVISION OF THE FOLLOWING ANSI STANDARDS:	
		Y14.3 MULTI AND SECTIONAL VIEW DIMS	
		Y14.5 DIMENSIONING AND TOLERANCING	
TOLERANCES NOT SPECIFIED	SOLID EDGE DRAWING	DO NOT SCALE DRAWING FOR DIMENSIONS	
0.XXX ± .01		SHEET 3 OF 5	SCALE 1:1
0.XXX ± .005	INCH		
± .5		APPROVALS ON FILE IN PLM	
<small>CONFIDENTIAL DISCLOSURE</small> This drawing is the property of POWEREX of the SCOTT FETTER COMPANY and is subject to return on demand. Its contents are confidential and must not be copied or submitted to outside parties for use or examination.		A Soulek	11/5/2018
ITEM #	716500		
MATERIAL	SEE PART DRAWINGS	<small>150 PRODUCTION DRIVE, HARRISON OH 45030</small> <small>888-768-7079</small>	
DESCRIPTION	MED SCROLL 15 HP HEXAPLEX WITH 200 GALLON AIR RECIEVER	DRAWING NUMBER	MSH15A5
		REVISION	B
		SIZE	D


REVISION NOTES		
DESCRIPTION	ECN	PR/NOR
PRODUCTION RELEASE	PXECO169	N/A

MSHI5A5

MED SCROLL 15 HP
HEXAPLEX WITH 200 GALLON
AIR RECIEVER
MEDICAL COMPRESSOR
FLOW DIAGRAM



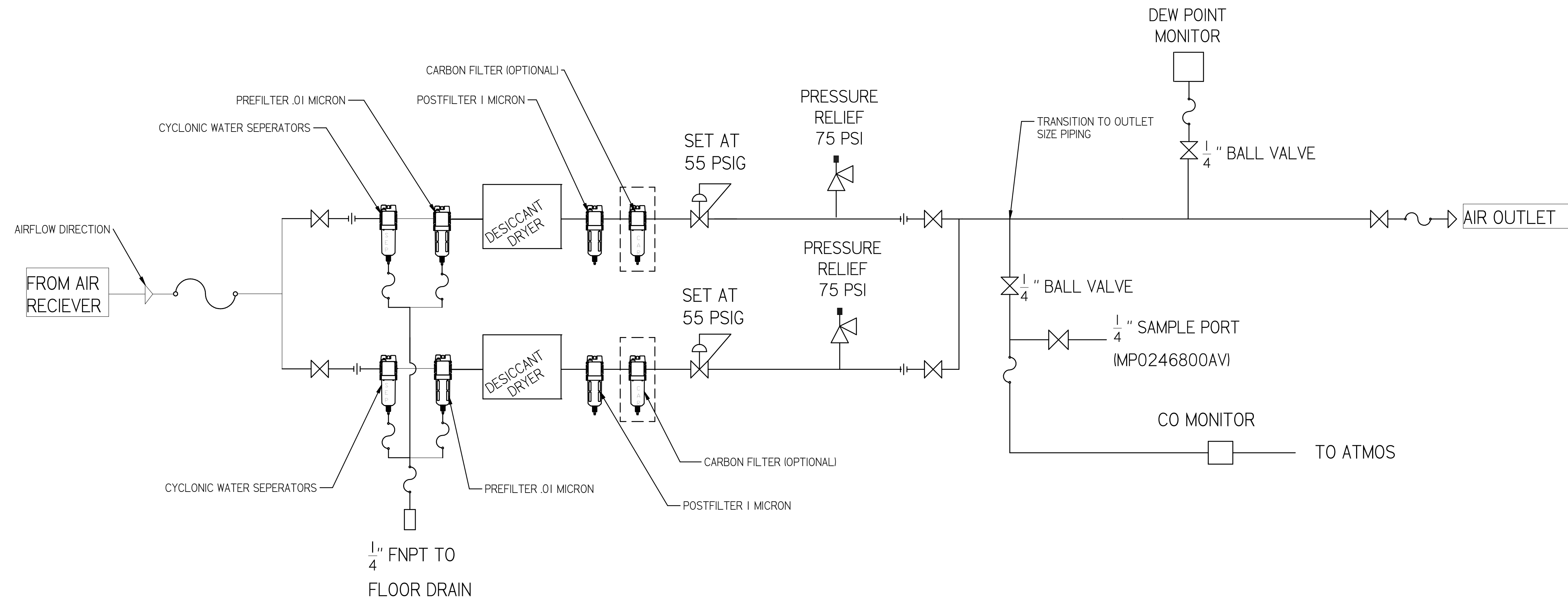
LEGEND	
	RELIEF VALVE
	INTAKE FILTER
	AIR FILTER
	3 WAY VALVE
	CARBON FILTER
	BALL VALVE
	PRESSURE SWITCH
	REGULATOR
	SEPARATOR
	CHECK VALVE
	FLEX LINE
	TSH HIGH TEMP SWITCH

SYMBOL LEGEND		DRAWINGS TO CONFORM TO CURRENT REVISION OF THE FOLLOWING ANSI STANDARDS:	
		Y14.3 MULTI AND SECTIONAL VIEW DWGS	
		Y14.5 DIMENSIONING AND TOLERANCING	
TOLERANCES NOT SPECIFIED:	SOLID EDGE DRAWING	DO NOT SCALE DRAWING FOR DIMENSIONS	
0.001 ± .01			
0.005 ± .005	INCH	SHEET 4 OF 5	SCALE 1:1
<small>CONFIDENTIAL DISCLOSURE</small> This drawing is the property of POWEREX of the SCOTT FETTER COMPANY and is subject to return on demand. Its contents are confidential and must not be copied or submitted to outside parties for use or examination.		AUTHOR	APPROVALS ON FILE IN PLM
		ASoulek	11/5/2018
ITEM NO: 716500 MATERIAL: SEE PART DRAWINGS		 <small>150 PRODUCTION DRIVE, HARRISON OH 45030 888-768-7079</small>	
DESCRIPTION: MED SCROLL 15 HP HEXAPLEX WITH 200 GALLON AIR RECIEVER		DRAWING NUMBER: MSHI5A5	REVISION: B D

REVISION NOTES		
DESCRIPTION	ECN	PR/NOR
PRODUCTION RELEASE	PXECO169	N/A

MSHI5A5

MED SCROLL 15 HP
HEXAPLEX WITH 200 GALLON
AIR RECIEVER
MEDICAL DRYER
FLOW DIAGRAM



PIPE SIZE CHART		
PUMP COUNT	DRYER PLUMBING SIZE	OUTLET PIPE SIZE
2	1/2"	1/2"
3	1/2"	1"
4	1/2"	1"
6	1"	1-1/2"
8	1"	1-1/2"
9	1"	1-1/2"
12	1-1/2"	2"
15	1-1/2"	2"
18	1-1/2"	2"

SYMBOL LEGEND		DRAWINGS TO CONFORM TO CURRENT REVISION OF THE FOLLOWING ANSI STANDARDS: Y14.3 MULTI AND SECTIONAL VIEW DWGS Y14.5 DIMENSIONING AND TOLERANCING	
TOLERANCES NOT SPECIFIED	SOLID EDGE DRAWING	DO NOT SCALE DRAWING FOR DIMENSIONS	
0.XXX ± .01	INCH	SHEET 5 OF 5	SCALE 1:1
0.XXX ± .005			
± .5			
<small>CONFIDENTIAL DISCLOSURE</small> This drawing is the property of POWEREX of the SCOTT FETTER COMPANY and is subject to return on demand. Its contents are confidential and must not be copied or submitted to outside parties for use or examination.		AUTHOR	ORIGINATION DATE
		ASoulek	11/5/2018
FROM FILE: 716500 MATERIAL: SEE PART DRAWINGS			
DESCRIPTION: MED SCROLL 15 HP HEXAPLEX WITH 200 GALLON AIR RECIEVER		DRAWING NUMBER	REVISION
		MSHI5A5	B
			D

