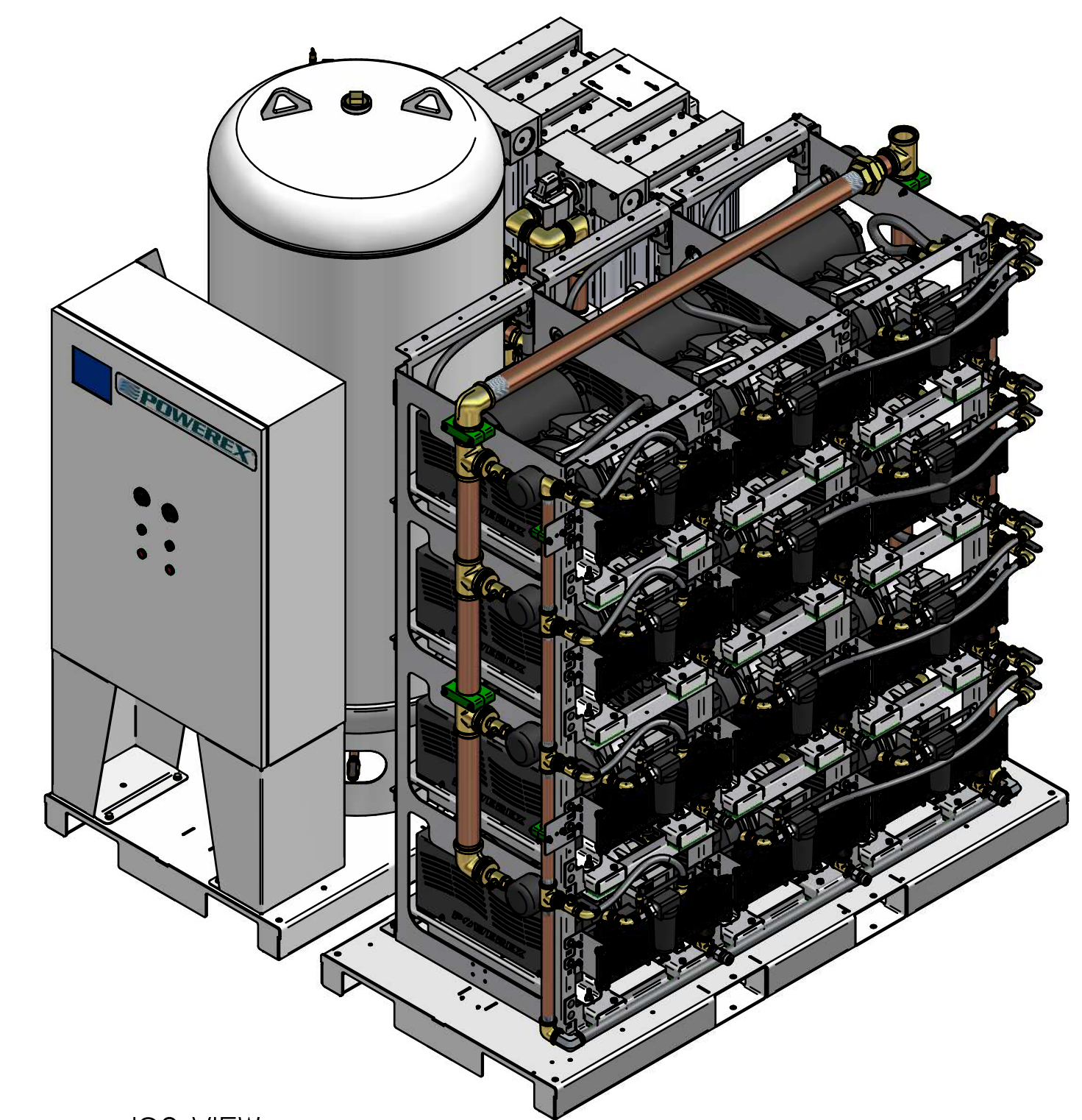
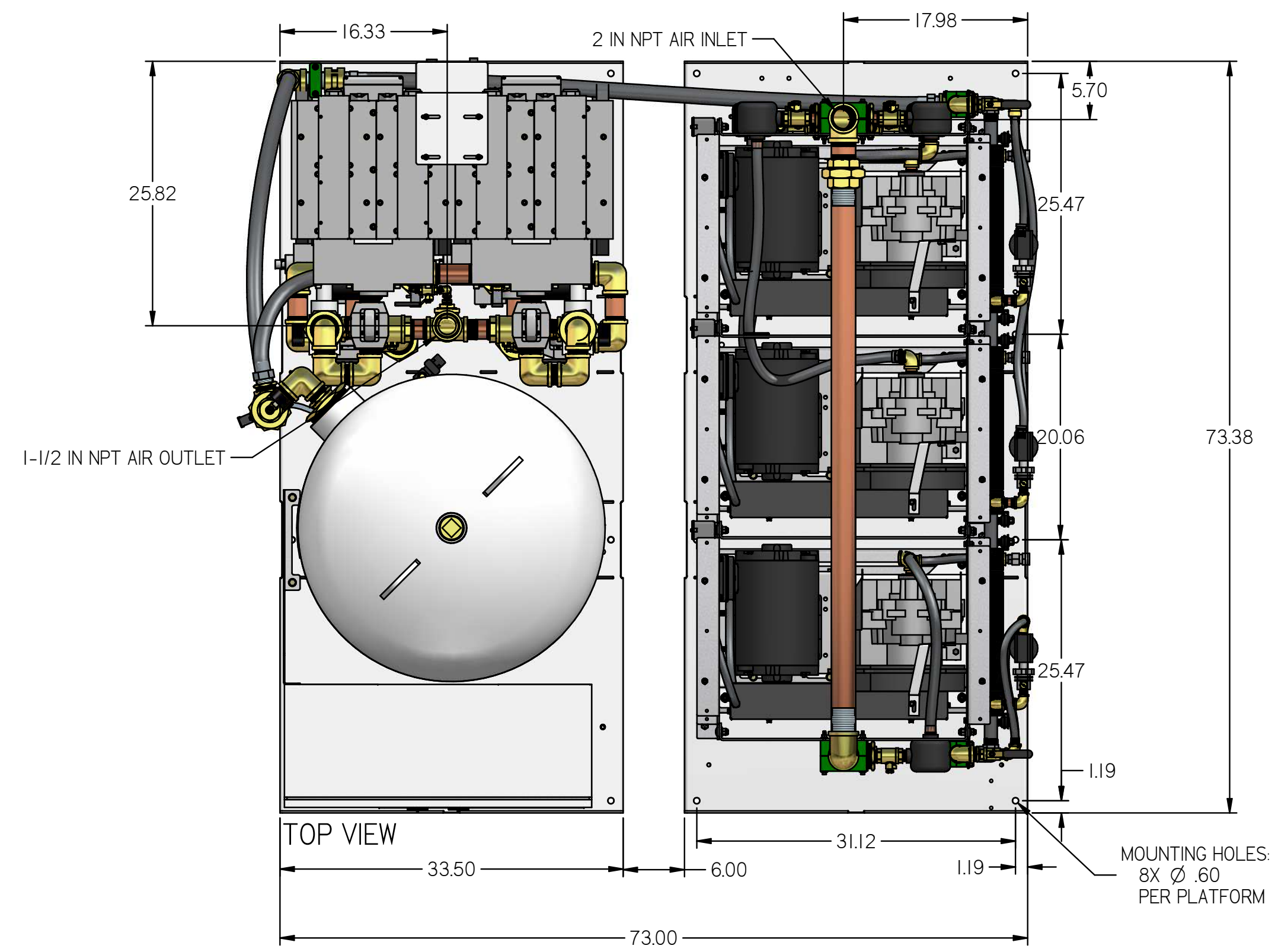


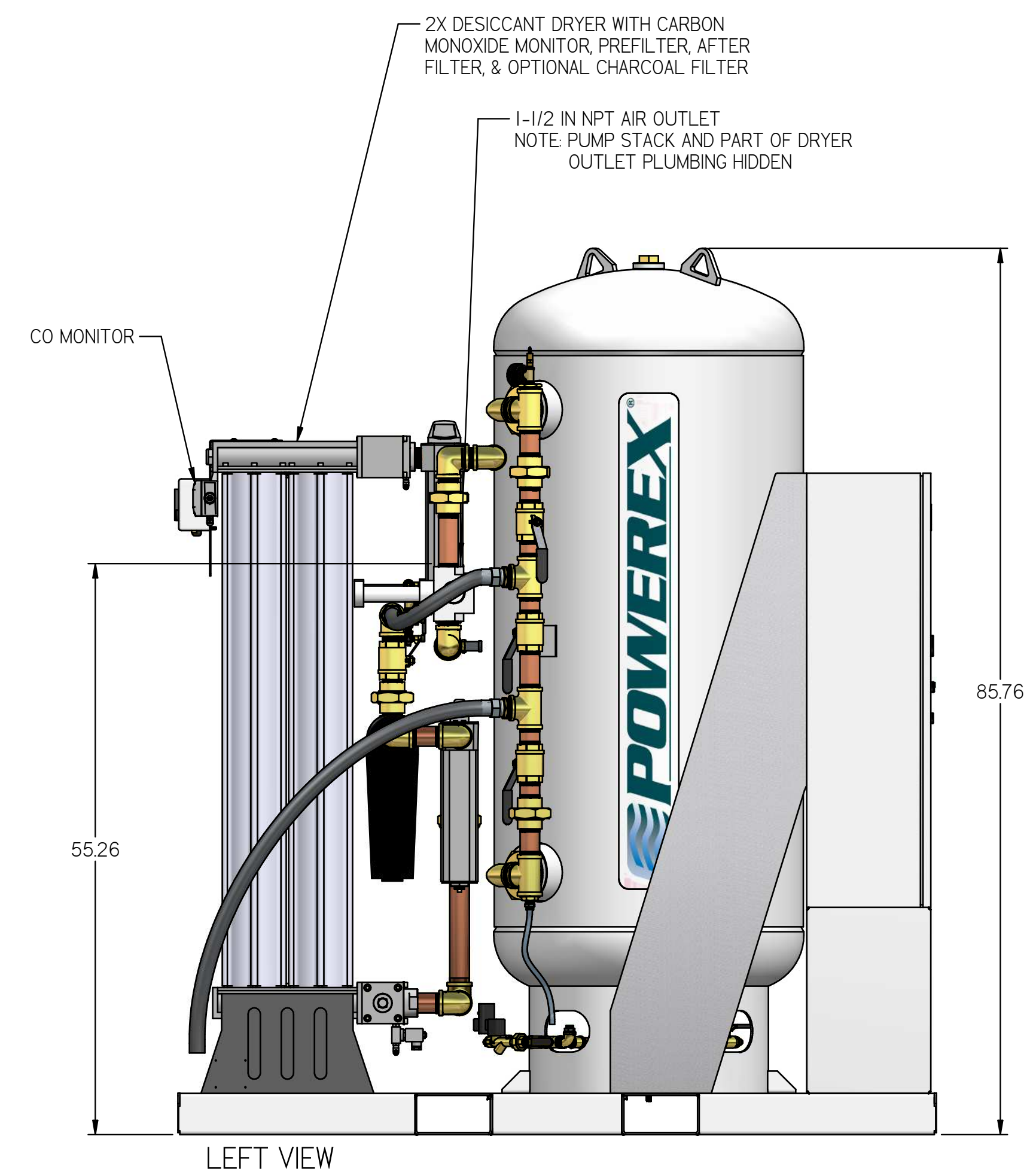
| REVISION NOTES | | |
|--------------------|----------|--------|
| DESCRIPTION | ECN | PR/NOR |
| PRODUCTION RELEASE | PXECO169 | N/A |

MSQ15A5

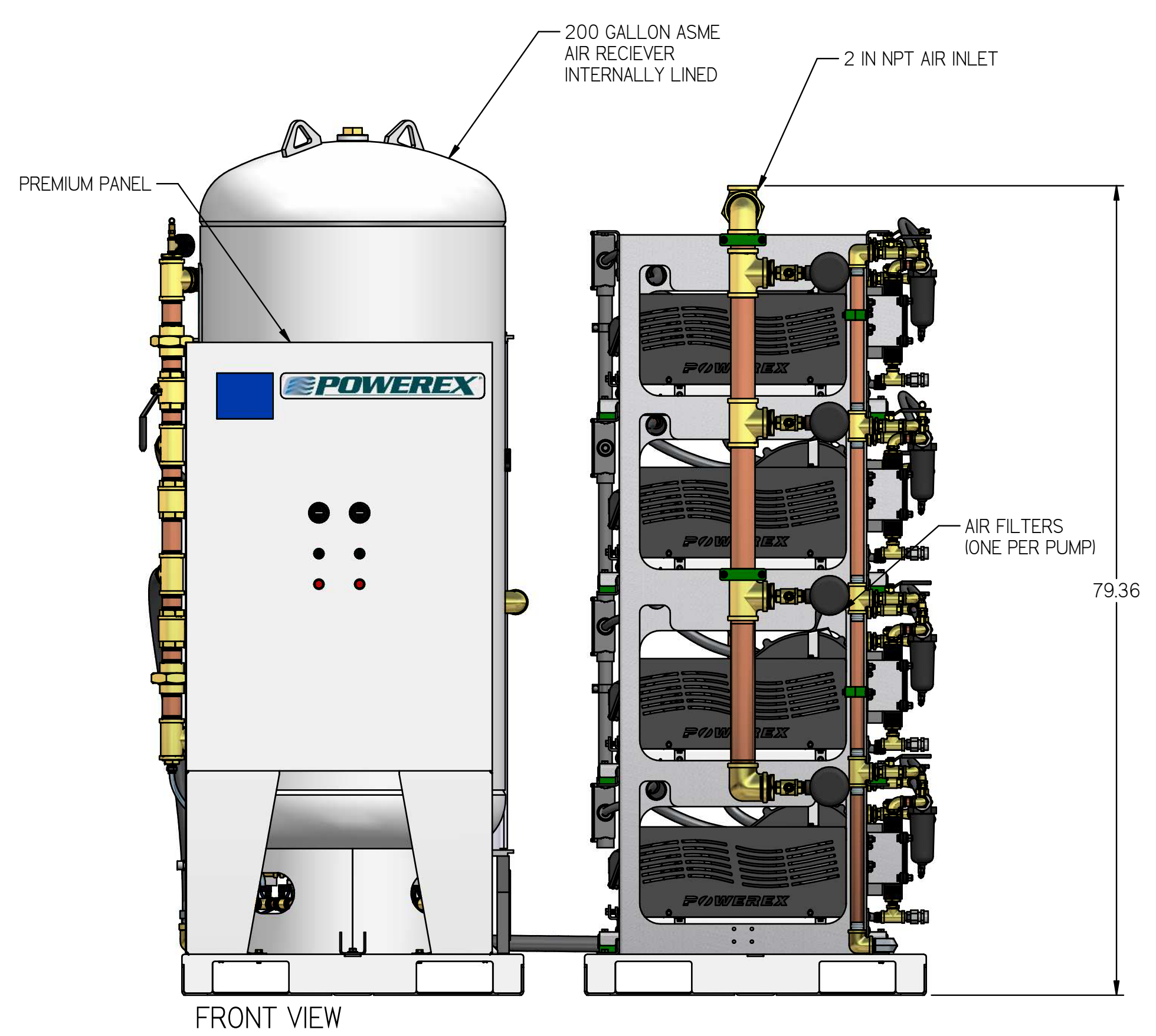
MEDICAL OPEN SCROLL 15
HP QUADPLEX WITH 200
GALLON TANK
PREMIUM PANEL



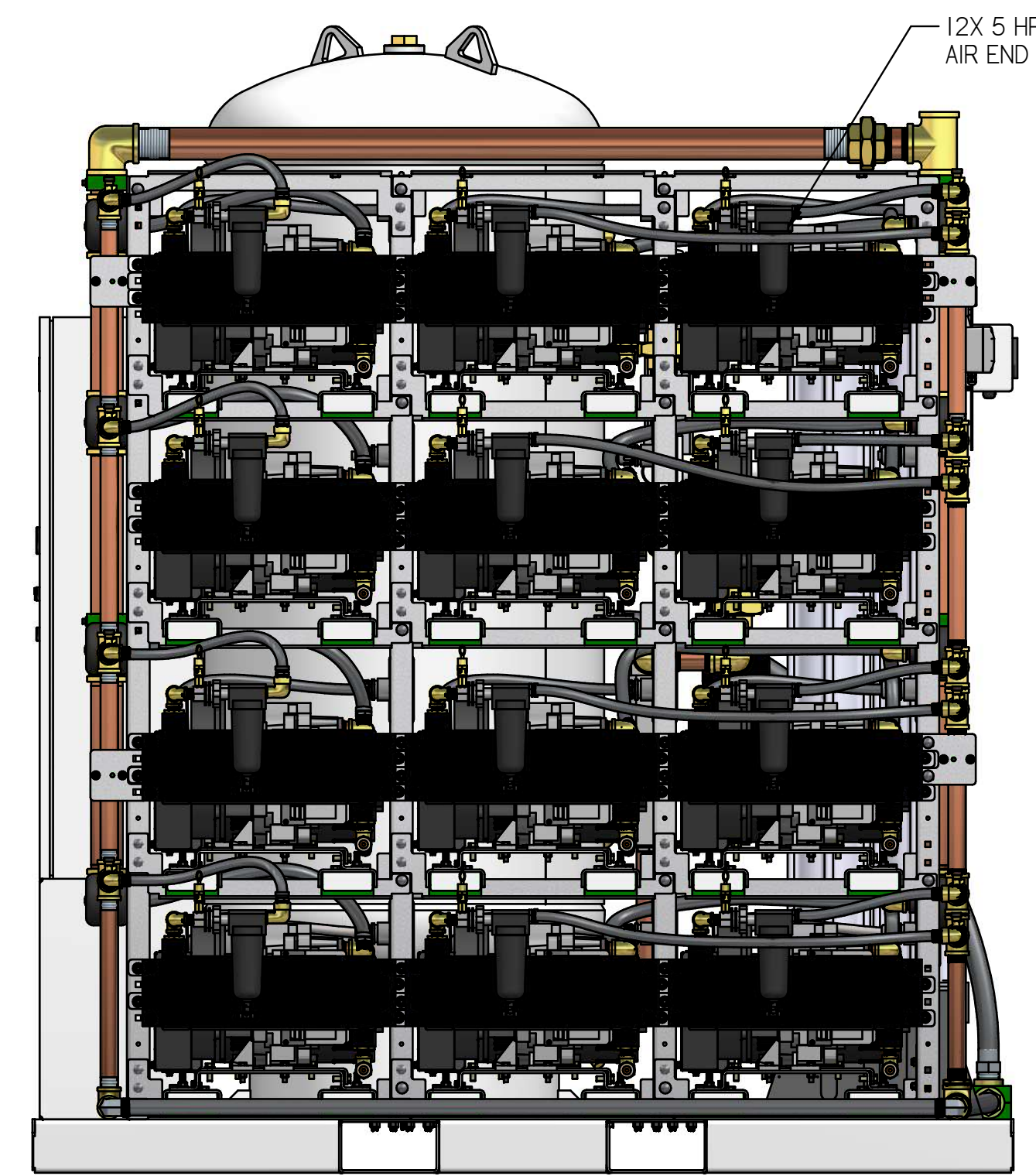
ISO VIEW



LEFT VIEW




FRONT VIEW



RIGHT VIEW

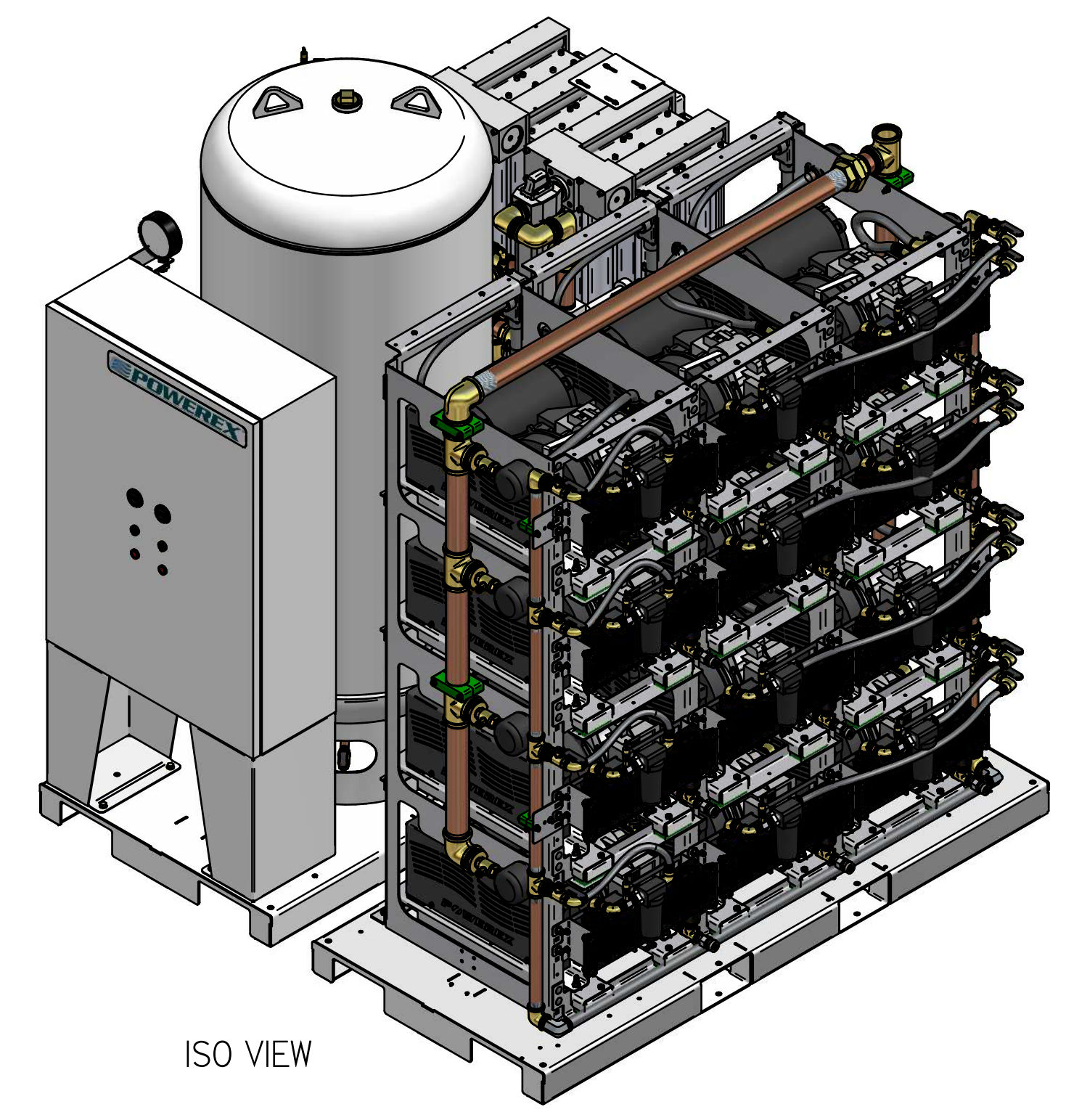
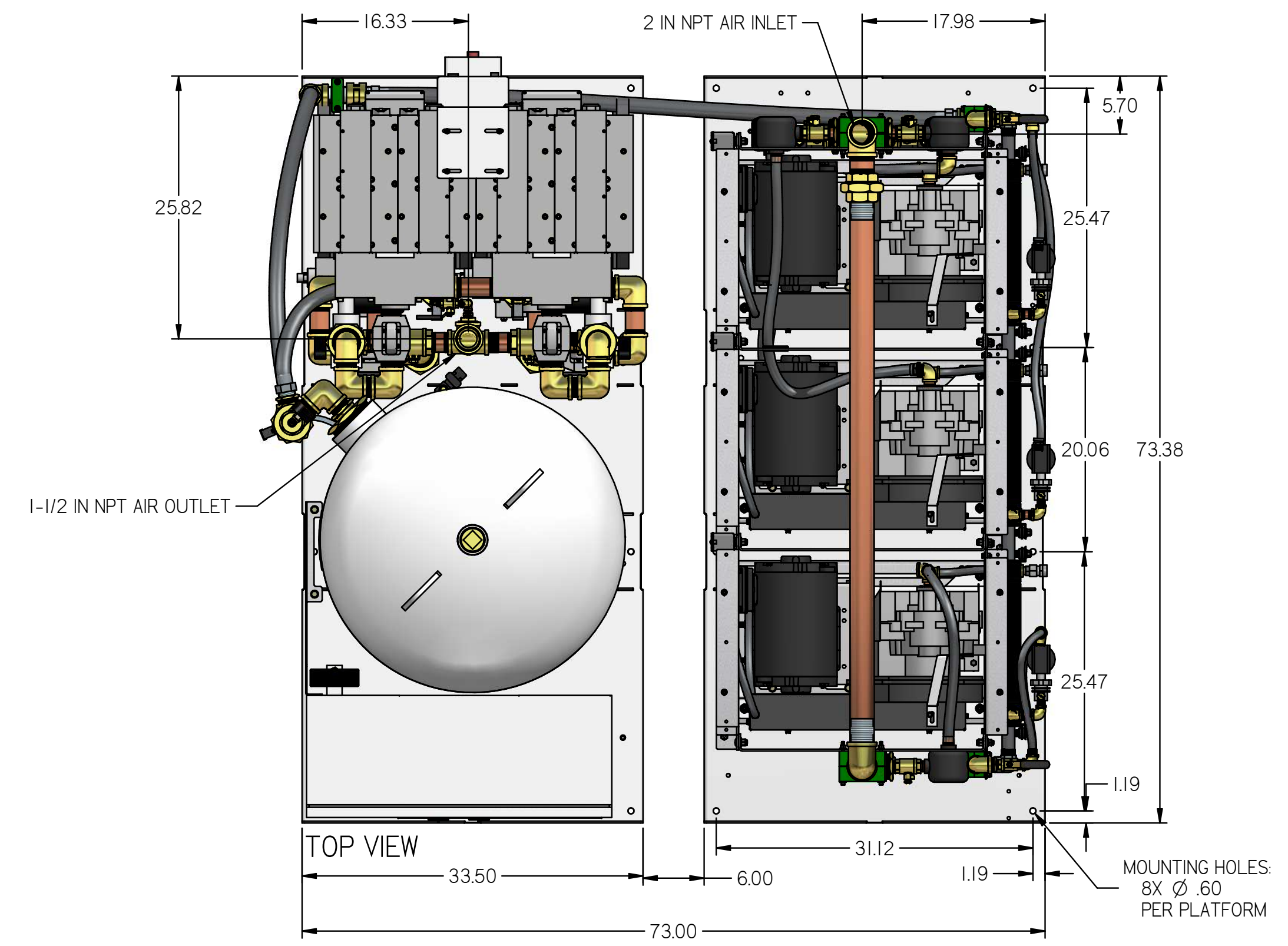
- NOTES:
 1. APPROX SYSTEM WEIGHT: 5619 LB
 2. 24" MINIMUM MAINTENANCE CLEARANCE RECOMMENDED ALL SIDES. CLEARANCE FOR CONTROL PANEL SHALL BE IN ACCORDANCE WITH OSHA/NEC REQUIREMENTS

| SYMBOL LEGEND | | DRAWINGS TO CONFORM TO CURRENT REVISION OF THE FOLLOWING ANSI STANDARDS: | | | |
|---|--------------------|---|------------------|--------------------------|--|
| TOLERANCES NOT SPECIFIED | SOLID EDGE DRAWING | DO NOT SCALE DRAWING FOR DIMENSIONS | | | |
| 0.XXX ± .01 | | SHEET 1 OF 5 | | | |
| 0.XXX ± .005 | INCH | SCALE | I:1:1 | | |
| CONFIDENTIAL DISCLOSURE: This drawing is the property of POWEREX of the SCOTT FETTER COMPANY and is subject to return on demand. Its contents are confidential and must not be copied or submitted to outside parties for use or examination. | | AUTHOR | ORIGINATION DATE | APPROVALS ON FILE IN PLM | |
| DRAWING NUMBER: 716789 | | ASoulek | | 11/5/2018 | |
| MATERIAL: SEE PART NOTES | |  | | | |
| DESCRIPTION: MEDICAL OPEN SCROLL 15 HP QUADPLEX WITH 200 GALLON TANK | | DRAWING NUMBER: MSQ15A5 | REVISION: B | SIZE: D | |

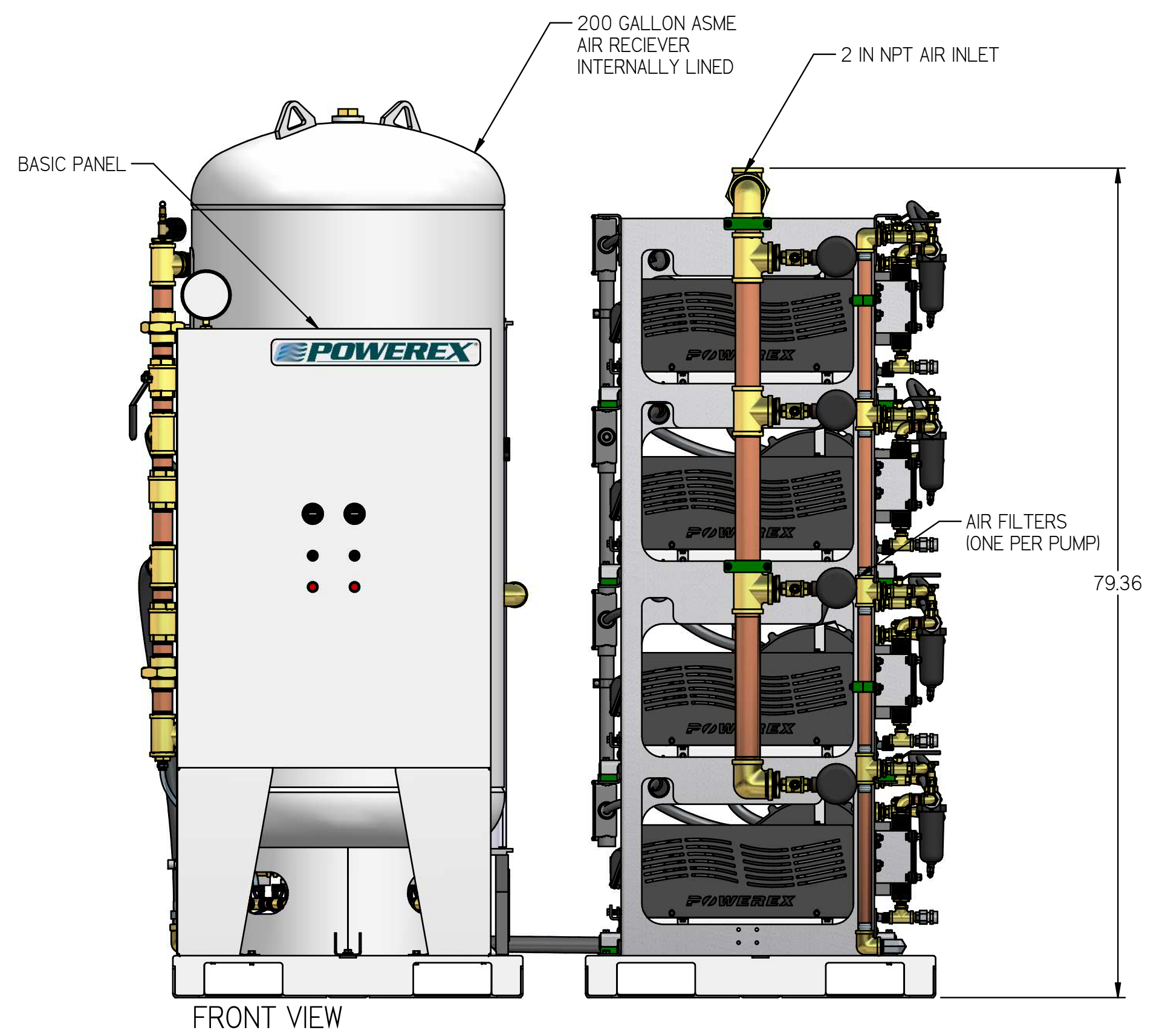
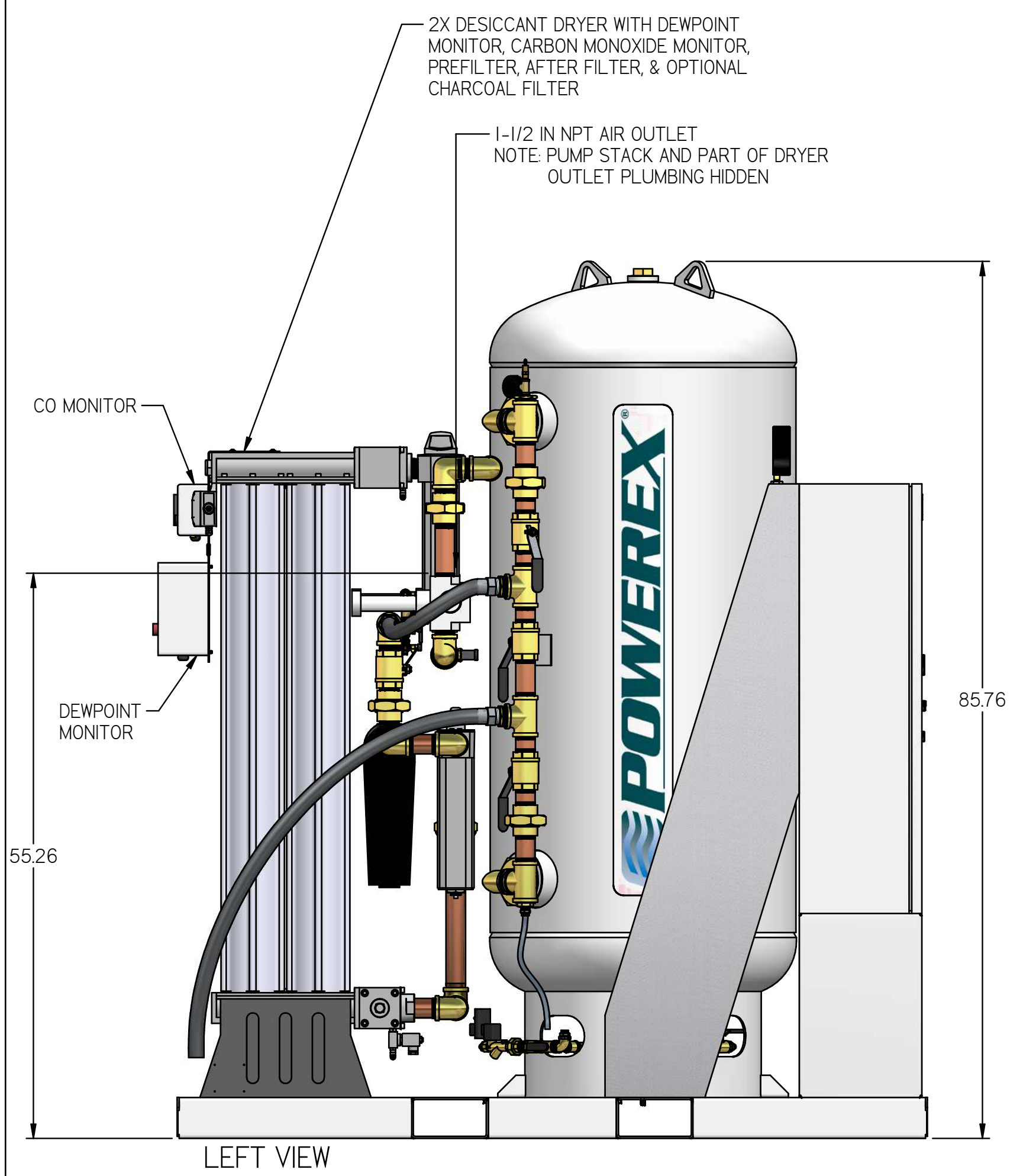
| REVISION NOTES | | |
|--------------------|----------|--------|
| DESCRIPTION | ECN | PR/NOR |
| PRODUCTION RELEASE | PXEC0169 | N/A |

MSQ15A5

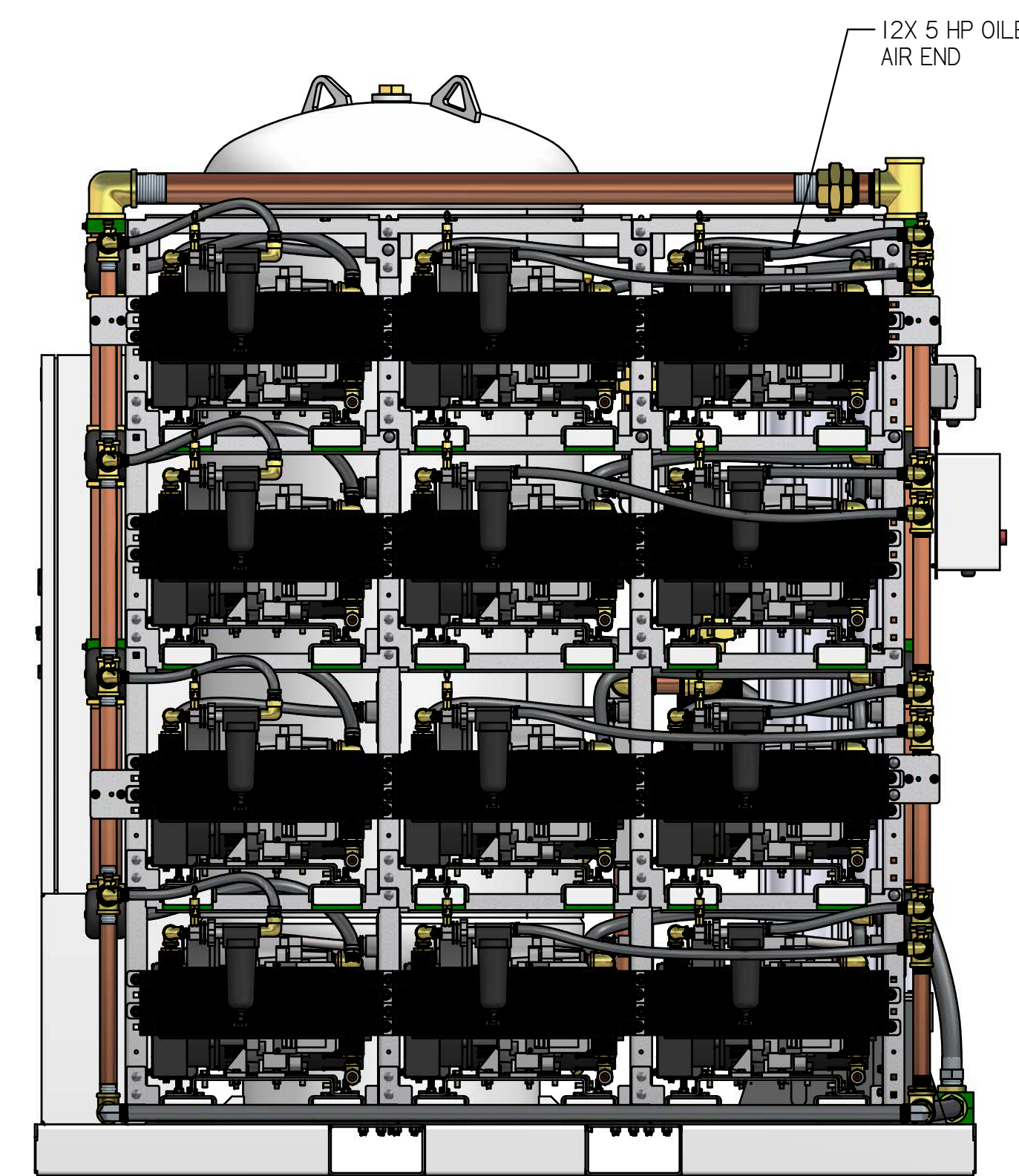
MEDICAL OPEN SCROLL 15
HP QUADPLEX WITH 200
GALLON TANK
BASIC PANEL



ISO VIEW



FRONT VIEW



RIGHT VIEW

- NOTES:
 1. APPROX SYSTEM WEIGHT: 5619 LB
 2. 24" MINIMUM MAINTENANCE CLEARANCE RECOMMENDED ALL SIDES. CLEARANCE FOR CONTROL PANEL SHALL BE IN ACCORDANCE WITH OSHA/NEC REQUIREMENTS

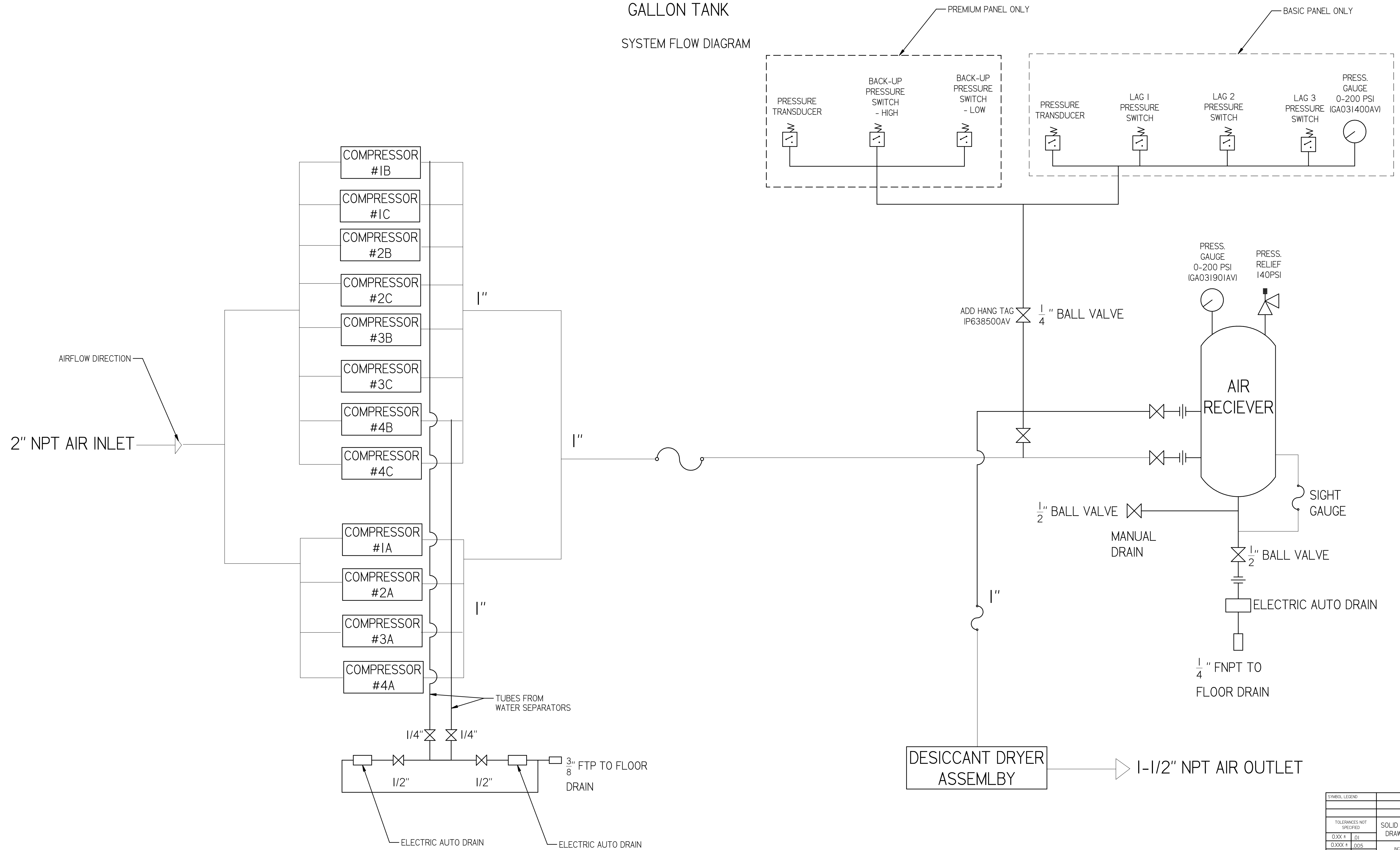
| SYMBOL LEGEND | | DRAWINGS TO CONFORM TO CURRENT REVISION OF THE FOLLOWING ANSI STANDARDS: | | |
|---|--------------------|--|------------------------------------|-------------------------------------|
| TOLERANCES NOT SPECIFIED | SOLID EDGE DRAWING | 1:4:3 MULTI AND SECTIONAL VIEW DIMS | 1:4:3 DIMENSIONING AND TOLERANCING | DO NOT SCALE DRAWING FOR DIMENSIONS |
| 0.XXX ± .01 | | INCH | SHEET 2 OF 5 | SCALE 1:1:1 |
| 0.XXX ± .005 | | | | |
| CONFIDENTIAL DISCLOSURE: This drawing is the property of POWEREX of the SCOTT FETTER COMPANY and is subject to return on demand. Its contents are confidential and must not be copied or submitted to outside parties for use or examination. | | AUTHOR | ORIGINATION DATE | APPROVALS ON FILE IN PLM |
| PART NUMBER: 716789 | | ASoulek | 11/5/2018 | |
| MATERIAL: SEE PART NOTES | | | | |
| DESCRIPTION: MEDICAL OPEN SCROLL 15 HP QUADPLEX WITH 200 GALLON TANK | | DRAWING NUMBER: MSQ15A5 | REVISION: B | SIZE: D |

| REVISION NOTES | | |
|--------------------|----------|--------|
| DESCRIPTION | ECN | PR/NOR |
| PRODUCTION RELEASE | PXECO169 | N/A |

MSQ15A5

MEDICAL OPEN SCROLL 15 HP QUADPLEX WITH 200 GALLON TANK

SYSTEM FLOW DIAGRAM

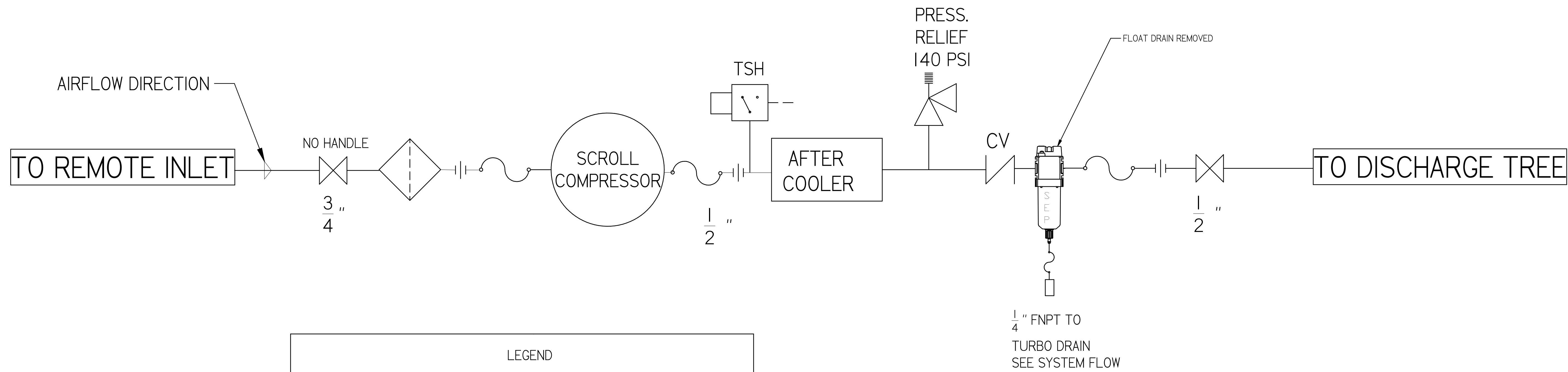


| SYMBOL LEGEND | | DRAWINGS TO CONFORM TO CURRENT REVISION OF THE FOLLOWING ANSI STANDARDS: | |
|--|--------------------|--|--------------------------|
| TOLERANCES NOT SPECIFIED | SOLID EDGE DRAWING | Y14.3 MULTI- AND SECTIONAL VIEW DIMS | |
| 0.001 ± .001 | INCH | Y14.5 DIMENSIONING AND TOLERANCING | |
| 0.005 ± .005 | | DO NOT SCALE DRAWING FOR DIMENSIONS | |
| CONFIDENTIAL DISCLOSURE: This drawing is the property of POWERLEX of the SCOTT FETTER COMPANY and is subject to return on demand. Its contents are confidential and must not be copied or submitted to outside parties for use or examination. | | SHEET 3 OF 5 | SCALE 1:1 |
| FROM: 716789 | A Soulek | ORIGINATION DATE: 11/5/2018 | APPROVALS ON FILE IN PLM |
| MATERIAL: SEE PART NOTES | | | |
| DESCRIPTION: MEDICAL OPEN SCROLL 15 HP QUADPLEX WITH 200 GALLON TANK | | DRAWING NUMBER: MSQ15A5 | REVISION: B |
| | | SIZE: B | SIZE: D |

| REVISION NOTES | | |
|--------------------|----------|--------|
| DESCRIPTION | ECN | PR/NOR |
| PRODUCTION RELEASE | PXECO169 | N/A |

MSQ15A5

MEDICAL OPEN SCROLL 15
HP QUADPLEX WITH 200
GALLON TANK
MEDICAL COMPRESSOR
FLOW DIAGRAM



| LEGEND | |
|--------|-------------------------|
| | RELIEF VALVE |
| | INTAKE FILTER |
| | AIR FILTER |
| | 3 WAY VALVE |
| | CARBON FILTER |
| | BALL VALVE |
| | PRESSURE SWITCH |
| | REGULATOR |
| | SEPARATOR |
| | CHECK VALVE |
| | FLEX LINE |
| | TSH HIGH TEMP SWITCH |

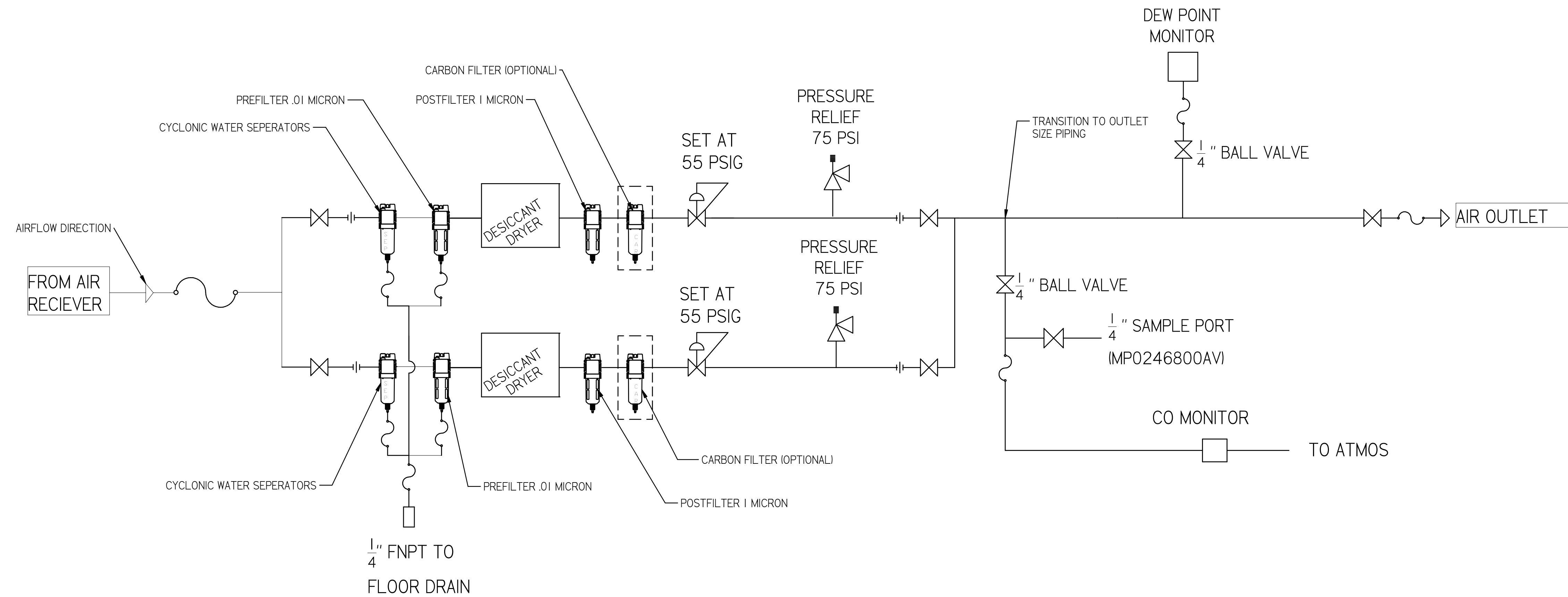
| | | | |
|---|--------------------|---|--------------------------|
| SYMBOL LEGEND | | DRAWINGS TO CONFORM TO CURRENT REVISION OF THE FOLLOWING ANSI STANDARDS: | |
| TOLERANCES NOT SPECIFIED: | | 1:4:3 MULTI AND SECTIONAL VIEW DIMS 1:4:5 DIMENSIONING AND TOLERANCING | |
| 0.XXX ± .01 | SOLID EDGE DRAWING | DO NOT SCALE DRAWING FOR DIMENSIONS | |
| 0.XXX ± .005 | | SHEET 4 OF 5 | SCALE 1:1 |
| ± .5 | INCH | | |
| CONFIDENTIAL DISCLOSURE This drawing is the property of POWEREX of the SCOTT FETTER COMPANY and is subject to return on demand. Its contents are confidential and must not be copied or submitted to outside parties for use or examination. | | AUTHOR | APPROVALS ON FILE IN PLM |
| DRAWN BY: 716789 MATERIAL: SEE PART NOTES | | ORIGINATION DATE | |
| | | ASoulek | 11/5/2018 |
| | | | |
| | | 150 PRODUCTION DRIVE, HARRISON OH 45030 888-768-7079 | |
| DESCRIPTION MEDICAL OPEN SCROLL 15 HP QUADPLEX WITH 200 GALLON TANK | | DRAWING NUMBER MSQ15A5 | REVISION B D |

POWEREX

| REVISION NOTES | | |
|--------------------|----------|--------|
| DESCRIPTION | ECN | PR/NOR |
| PRODUCTION RELEASE | PXECO169 | N/A |

MSQ15A5

MEDICAL OPEN SCROLL 15
HP QUADPLEX WITH 200
GALLON TANK
MEDICAL DRYER
FLOW DIAGRAM



| PUMP COUNT | DRYER PLUMBING SIZE | OUTLET PIPE SIZE |
|------------|---------------------|------------------|
| 2 | 1/2" | 1/2" |
| 3 | 1/2" | 1" |
| 4 | 1/2" | 1" |
| 6 | 1" | 1-1/2" |
| 8 | 1" | 1-1/2" |
| 9 | 1" | 1-1/2" |
| 12 | 1-1/2" | 2" |
| 15 | 1-1/2" | 2" |
| 18 | 1-1/2" | 2" |

| | | | |
|--|--------------------------|---|-----------|
| SYMBOL LEGEND | | DRAWINGS TO CONFORM TO CURRENT REVISION OF THE FOLLOWING ANSI STANDARDS: Y14.3 MULTI AND SECTIONAL VIEW DWGS Y14.5 DIMENSIONING AND TOLERANCING | |
| TOLERANCES NOT SPECIFIED | SOLID EDGE DRAWING | DO NOT SCALE DRAWING FOR DIMENSIONS | |
| 0.XXX ± .01 | | SHEET 5 OF 5 | SCALE 1:1 |
| 0.XXX ± .005 | APPROVALS ON FILE IN PLM | | |
| ± .5 | | INCH | A Soulek |
| <small>CONFIDENTIAL DISCLOSURE</small> This drawing is the property of POWEREX or the SCOTT FETTER COMPANY and is subject to return on demand. Its contents are confidential and must not be copied or submitted to outside parties for use or examination. | | | |
| DRAWING NUMBER: MSQ15A5 DESCRIPTION: MEDICAL OPEN SCROLL 15 HP QUADPLEX WITH 200 GALLON TANK | | REVISION: B SIZE: D | |

