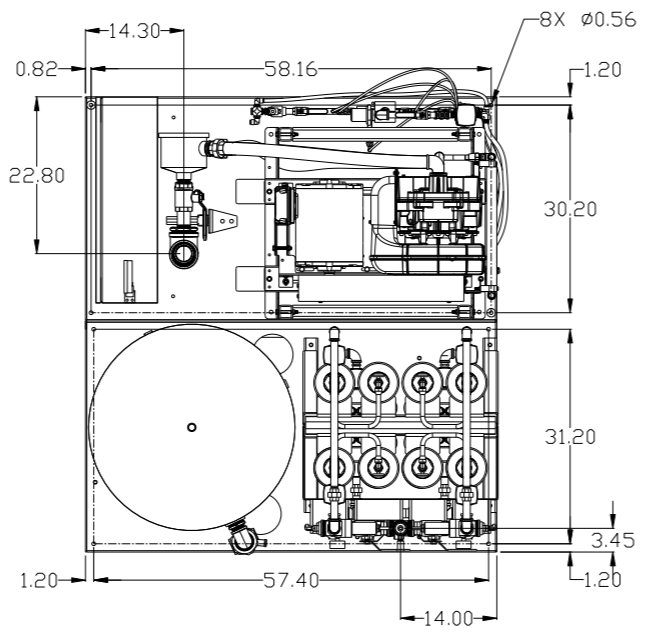


REV	ZONE	REVISION	DATE	ECN	NAME	CHKD
B-1	ALL	RELEASE TO PRODUCTION	10/13/16	PXEC0138	AEK	GES



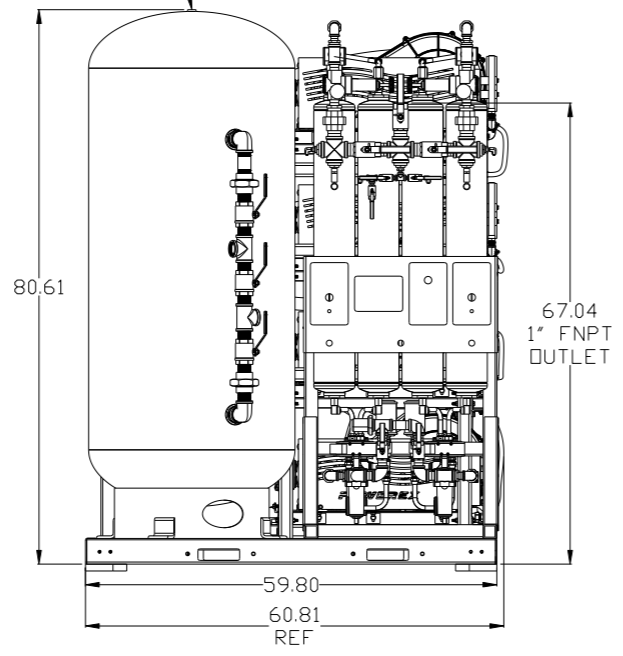
2X DESICCANT DRYERS  
W/ DEW POINT MONITOR,  
CARBON MONOXIDE MONITOR,  
PRE FILTER, AFTER FILTER  
& OPTIONAL CHARCOAL FILTER.

FUTURE  
EXPANSION  
BASEMOUNT

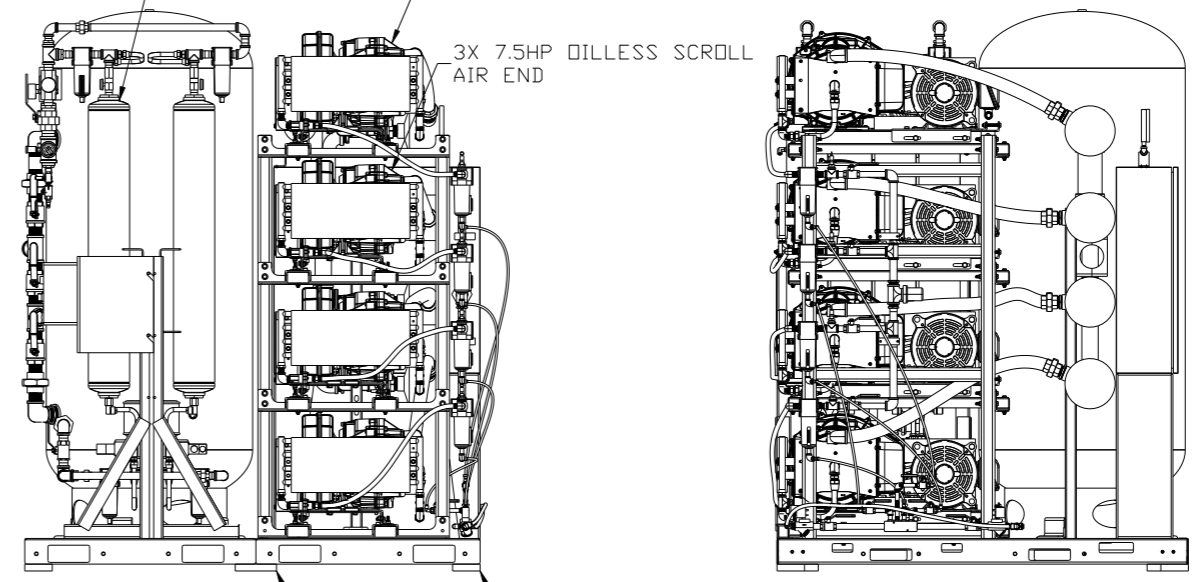
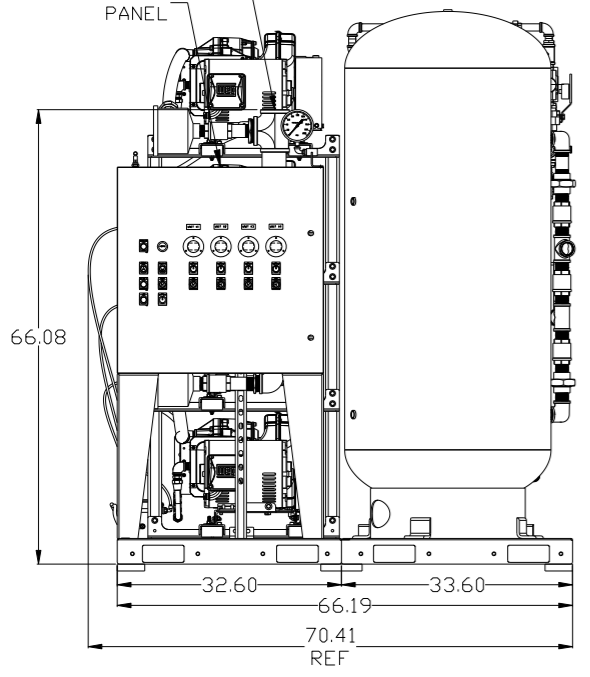
3X 7.5HP OILLESS SCROLL  
AIR END

ISOLATION PADS  
4" X 4" X 1"(QTY.4)  
ISOLATION PADS  
6" X 6" X 1"(QTY.2)

200 GALLON ASME  
AIR RECEIVER  
INTERNALLY LINED



3" FNPT  
INLET  
CONTROL  
PANEL

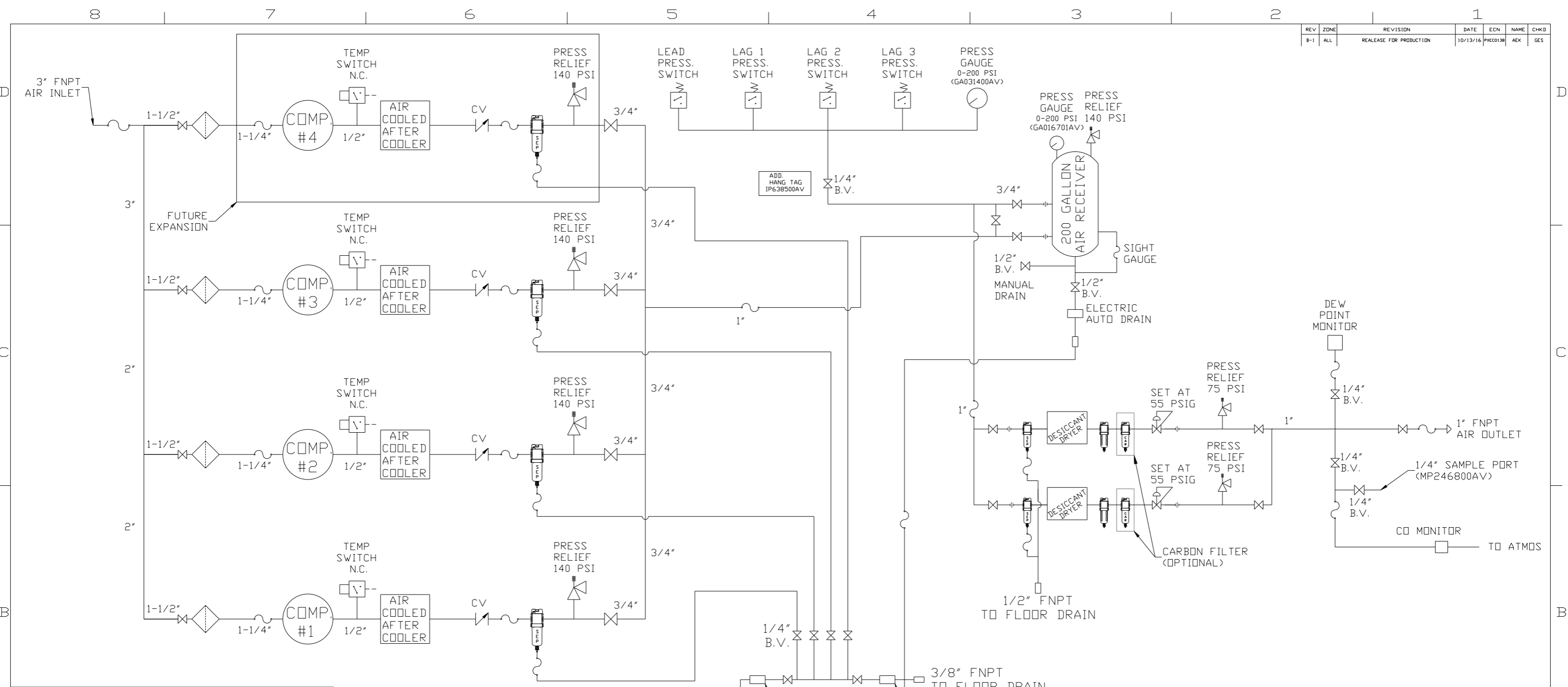


NOTES:  
1) RECOMMENDED 24" CLEARANCE AROUND SYSTEM  
2) INSTALL ELECTRICAL CONTROL PANEL WITH  
CLEARANCE PER OSHA/NEC RECOMMENDATIONS

NOTE: SYSTEM DESIGNED IN  
COMPLIANCE WITH US NFPA'99,  
LATEST EDITION.

<b>SYMBOL LEGEND</b> ⊖ = MINUS DRAFT ⊕ = PLUS DRAFT TOLERANCES NOT SPECIFIED .XX ± .XXX ± << DEG > ±		= ADDITIONAL CONTROL REQ'D = BRINELL HARDNESS		Drawings to conform to the current revision of the following ANSI standards: Y14.3 Multi and sectional view dgs. Y14.5M Dimensioning and tolerancing	
AUTOCAD REL2014 LT INCH		DO NOT SCALE DRAWING FOR DIMENSIONS Sheet 1 of 2 SCALE 1:14		<b>CONFIDENTIAL DISCLOSURE</b> This drawing is the property of POWEREX, INC. of the SCOTT FELTZER COMPANY and subject to return on demand. Its contents are confidential and must not be copied or submitted to outside parties for use or examination.	
DRAWN BY AEK		CHECKED BY GES		APPROVED BY ENGINEERING MFG/MRKTG KMD FR	
MATERIAL N/A		DATE 10/13/16		DATE 10/13/16	
PART NAME 7.5HP DL SCROLL TRIPLEX EXPANDABLE 200GAL DUPLEX DESICCANT		DWG NO MST0755-EX4		SIZE D	

REV	ZONE	REVISION	DATE	ECN	NAME	CHKD
B-1	ALL	RELEASE FOR PRODUCTION	10/13/16	PXC0138	AEK	GES

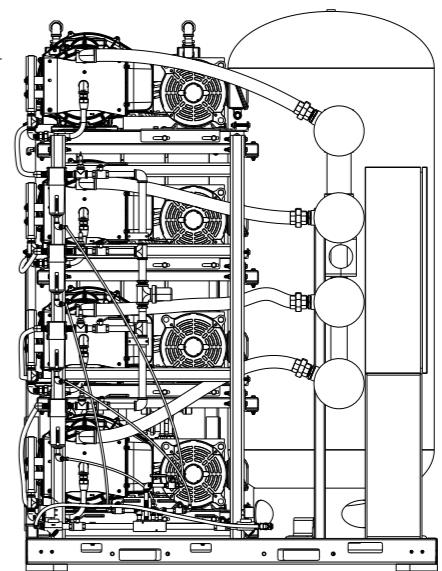
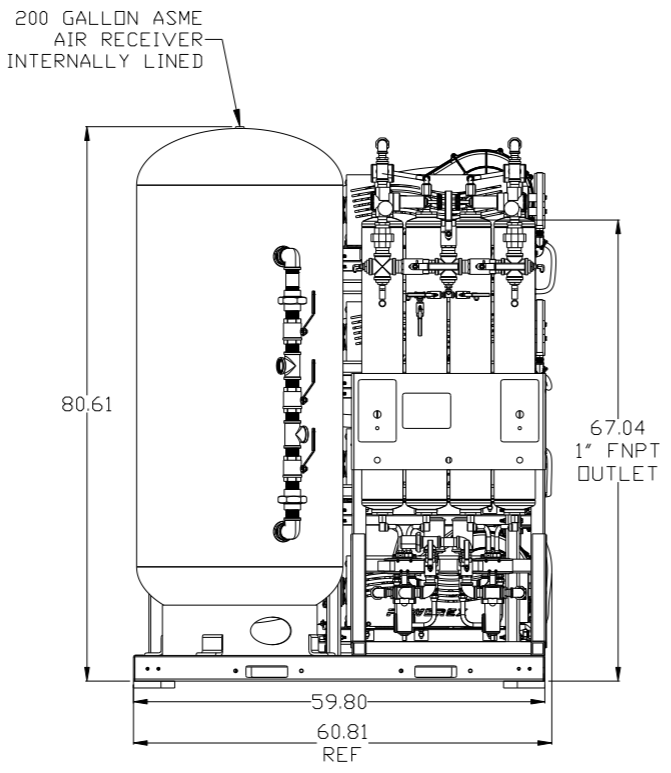
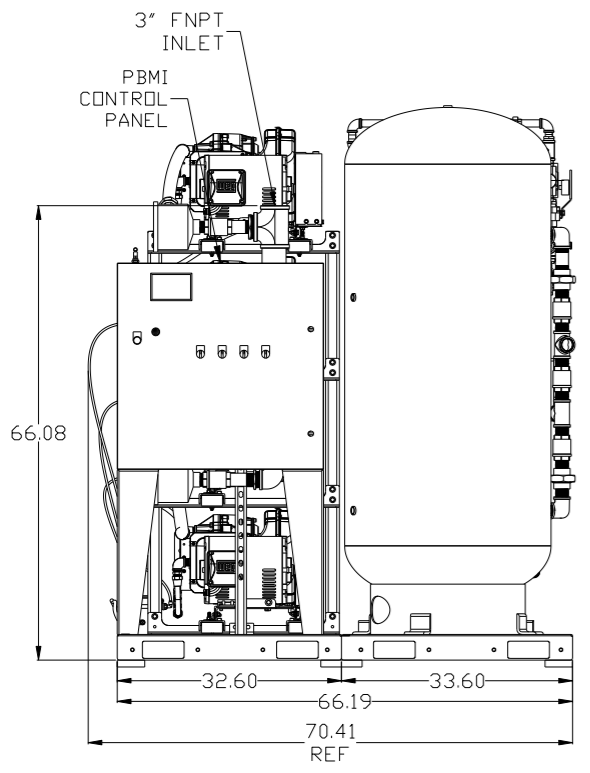
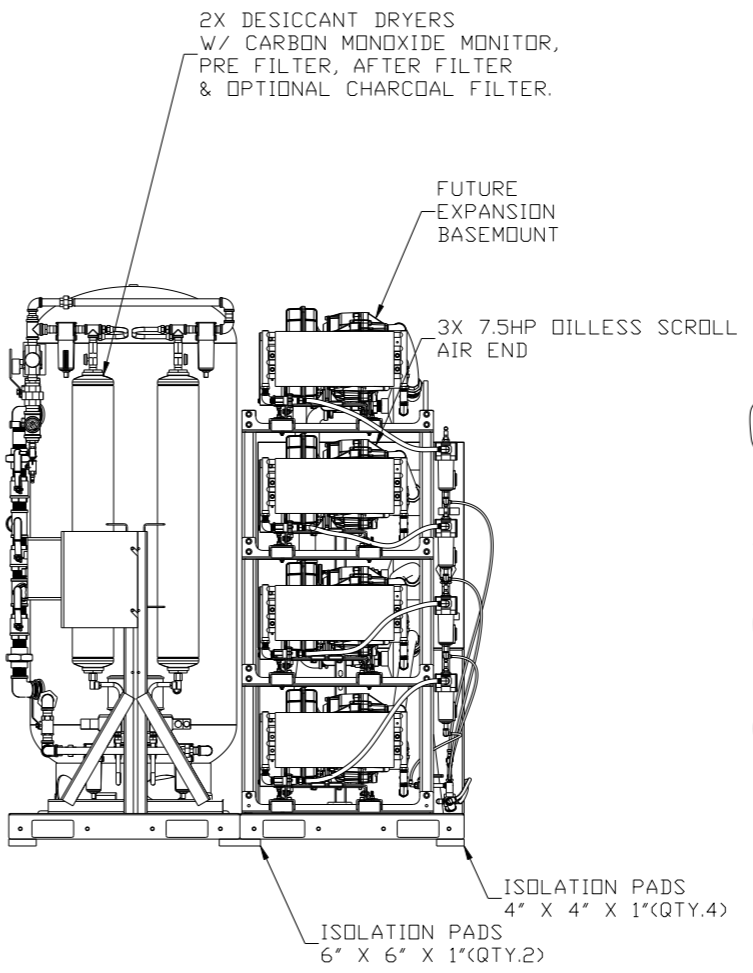
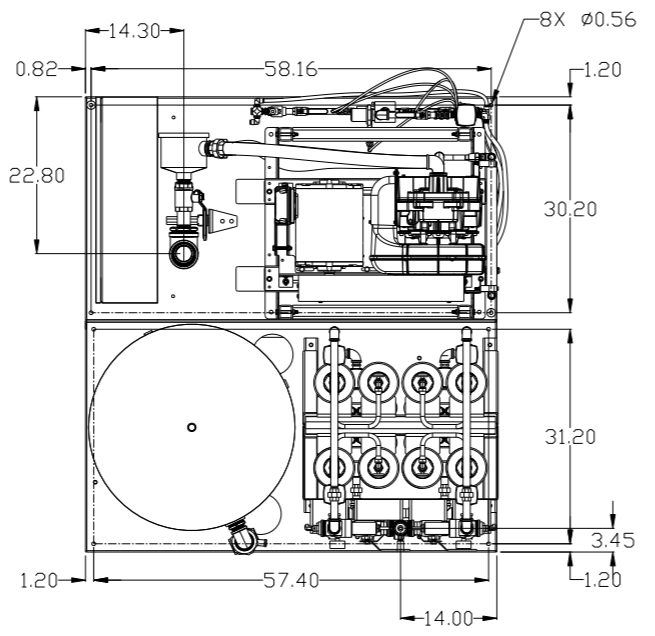


LEGEND	
	RELIEF VALVE
	INTAKE FILTER
	AIR FILTER
	CARBON FILTER
	BALL VALVE
	PRESSURE SWITCH
	REGULATOR
	SEPARATOR
	CHECK VALVE
	FLEX LINE
	HIGH TEMP SWITCH
	UNION

NOTES:  
 1) WITHOUT EXPANSION: IF LAG 2 COMPRESSOR IS ENERGIZED, ALARM WILL OCCUR.  
 WITH EXPANSION: IF LAG 3 COMPRESSOR IS ENERGIZED, ALARM WILL OCCUR.  
 2) PIPING TO THE INLET BY OTHERS AND TO BE PER NFPA99 4-3.1.1.9(b)  
 3) INSTRUMENTS DOWN STREAM OF SOURCE VALVE TO BE SUPPLIED BY OTHERS.

SYMBOL LEGEND ⊖ = MINUS DRAFT ⊕ = PLUS DRAFT TOLERANCES NOT SPECIFIED .XX ± .XXX ± <math>\angle</math> (DEG) ±		= ADDITIONAL CONTROL REQ'D = BRINELL HARDNESS	Drawings to conform to the current revision of the following ANSI standards: Y14.3 Multi and sectional view dgs. Y14.5M Dimensioning and tolerancing
AUTOCAD REL2014 LT INCH		DO NOT SCALE DRAWING FOR DIMENSIONS Sheet 2 of 2 SCALE 1:14	
CONFIDENTIAL DISCLOSURE This drawing is the property of POWEREX, INC. of the SCOTT FETZER COMPANY and subject to return on demand. Its contents are confidential and must not be copied or submitted to outside parties for use or examination.		DRAWN BY AEK	CHECKED BY GES
MATERIAL N/A		APPROVED BY ENGINEERING KMD	MFG/MKTG FR
PART NAME SCROLL TRIPLEX EXPANDABLE PACKAGE FLOW SCHEMATIC		DATE 10/13/16	DATE 10/13/16
DWG NO MST0755-EX4D		SIZE 10/13/16	

REV	ZONE	REVISION	DATE	ECN	NAME	CHKD
B-1	ALL	RELEASE TO PRODUCTION	10/13/16	PXEC0138	AEK	GES

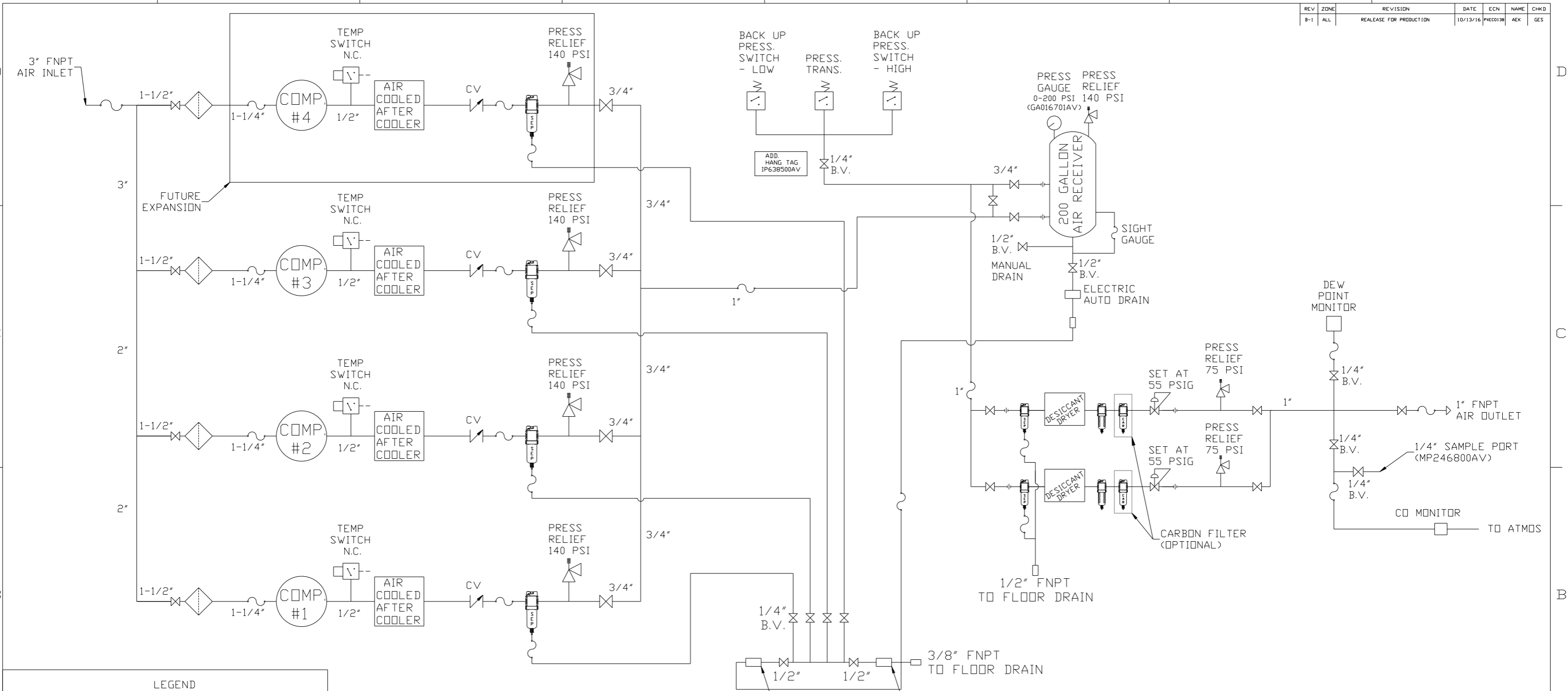


NOTES:  
 1) RECOMMENDED 24" CLEARANCE AROUND SYSTEM  
 2) INSTALL ELECTRICAL CONTROL PANEL WITH CLEARANCE PER OSHA/NEC RECOMMENDATIONS

NOTE: SYSTEM DESIGNED IN COMPLIANCE WITH US NFPA'99, LATEST EDITION.

SYMBOL LEGEND ⊖ = MINUS DRAFT ⊕ = PLUS DRAFT TOLERANCES NOT SPECIFIED .XX ± .XXX ± <<DEG>> ±		⊕ = ADDITIONAL CONTROL REQ'D HRC = BRINELL HARDNESS		Drawings to conform to the current revision of the following ANSI standards: Y14.3 Multi and sectional view dsgs. Y14.5M Dimensioning and tolerancing	
AUTOCAD REL2014 LT INCH		DO NOT SCALE DRAWING FOR DIMENSIONS Sheet 1 of 2 SCALE 1:14		CONFIDENTIAL DISCLOSURE This drawing is the property of POWEREX, INC. of the SCOTT FELTZER COMPANY and subject to return on demand. Its contents are confidential and must not be copied or submitted to outside parties for use or examination.	
DRAWN BY AEK		CHECKED BY GES		APPROVED BY ENGINEERING MFG/MKTG KMD FR	
MATERIAL N/A		DATE 10/13/16		DATE 10/13/16	
PART NAME 7.5HP DL SCROLL TRIPLEX EXPANDABLE 200GAL DUPLEX DESICCANT		DWG NO MST0755-EX4		SIZE D	

REV	ZONE	REVISION	DATE	ECN	NAME	CHKD
B-1	ALL	RELEASE FOR PRODUCTION	10/13/16	PKC0138	AEK	GES



LEGEND	
	RELIEF VALVE
	INTAKE FILTER
	AIR FILTER
	CARBON FILTER
	BALL VALVE
	PRESSURE SWITCH
	REGULATOR
	SEPARATOR
	CHECK VALVE
	FLEX LINE
	HIGH TEMP SWITCH
	UNION

NOTES:  
 1) WITHOUT EXPANSION: IF LAG 2 COMPRESSOR IS ENERGIZED, ALARM WILL OCCUR.  
 WITH EXPANSION: IF LAG 3 COMPRESSOR IS ENERGIZED, ALARM WILL OCCUR.  
 2) PIPING TO THE INLET BY OTHERS AND TO BE PER NFPA99 4-3.1.1.9(b)  
 3) INSTRUMENTS DOWN STREAM OF SOURCE VALVE TO BE SUPPLIED BY OTHERS.

SYMBOL LEGEND ⊖ = MINUS DRAFT ⊕ = PLUS DRAFT TOLERANCES NOT SPECIFIED .XX ± .XXX ± <math>\angle</math> (DEG) ±		= ADDITIONAL CONTROL REQ'D = BRINELL HARDNESS	Drawings to conform to the current revision of the following ANSI standards: Y14.3 Multi and sectional view dgs. Y14.5M Dimensioning and tolerancing
AUTOCAD REL2014 LT INCH		DO NOT SCALE DRAWING FOR DIMENSIONS Sheet 2 of 2 SCALE 1:14	
CONFIDENTIAL DISCLOSURE This drawing is the property of POWEREX, INC. of the SCOTT FETZER COMPANY and subject to return on demand. Its contents are confidential and must not be copied or submitted to outside parties for use or examination.		DRAWN BY AEK	CHECKED BY GES
MATERIAL N/A		APPROVED BY ENGINEERING KMD	MFG/MKTG FR
PART NAME SCROLL TRIPLEX EXPANDABLE PACKAGE FLOW SCHEMATIC		DATE 10/13/16	DATE 10/13/16
DWG NO MST0755-EX4D		SIZE 10/13/16	