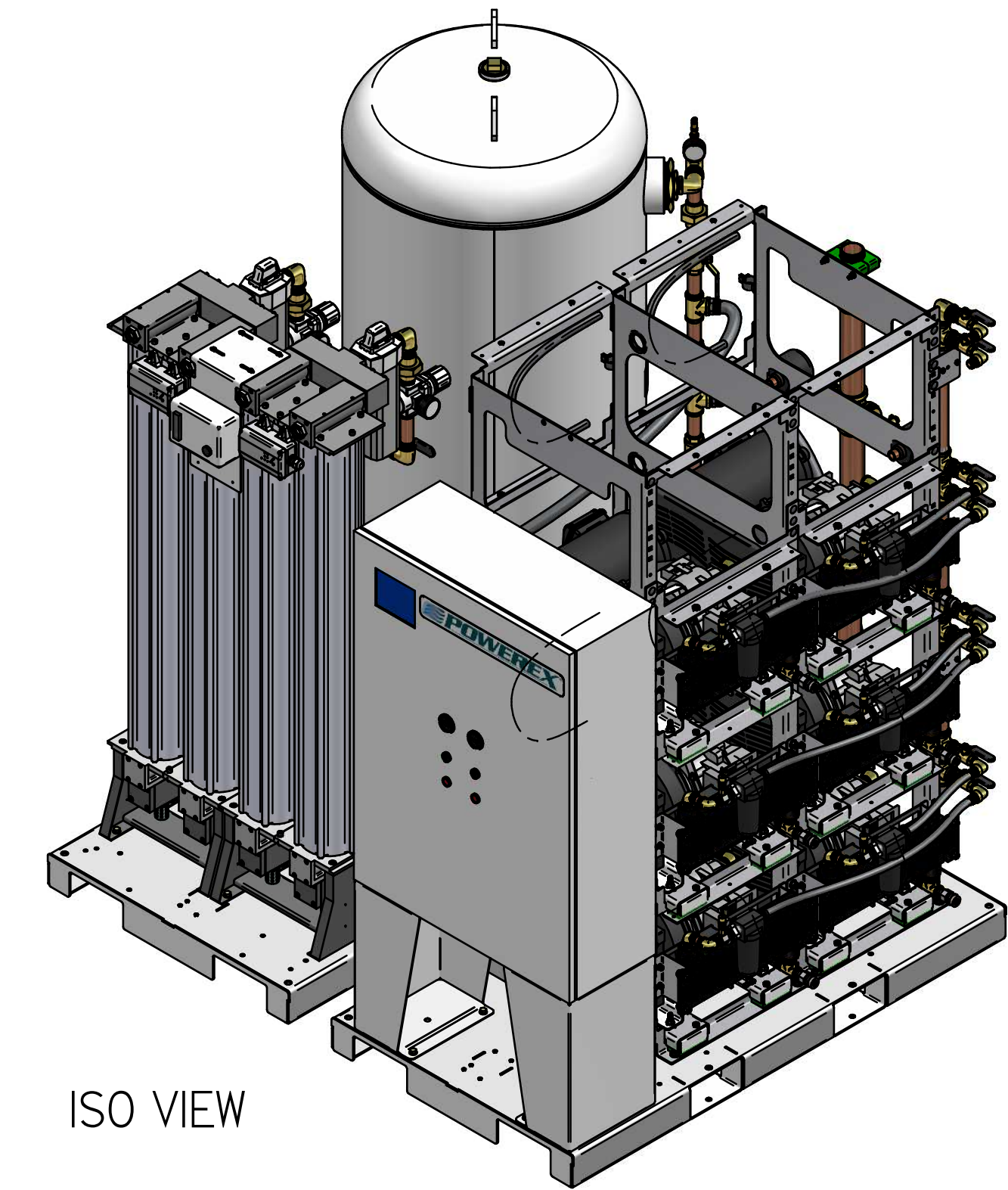
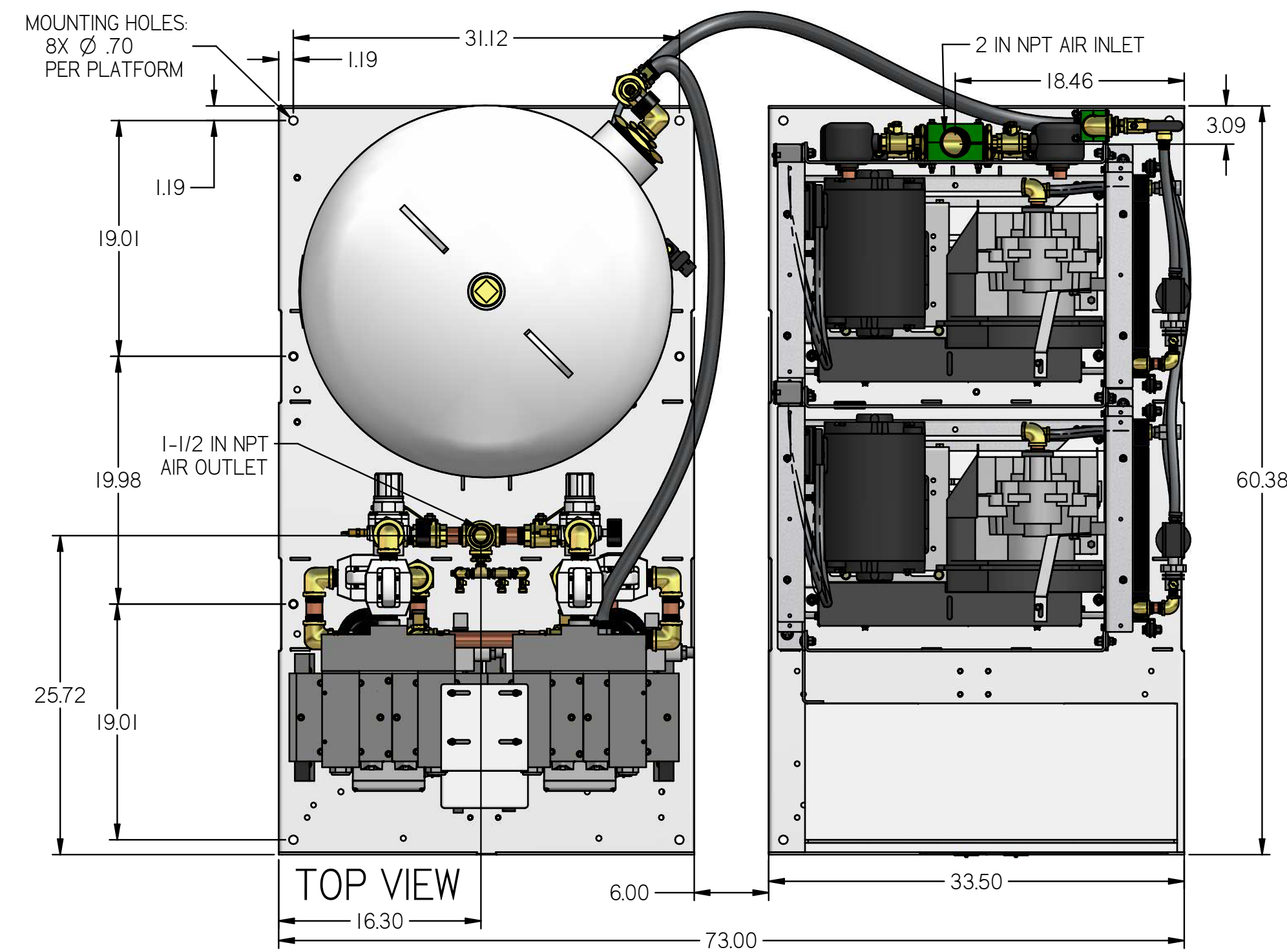


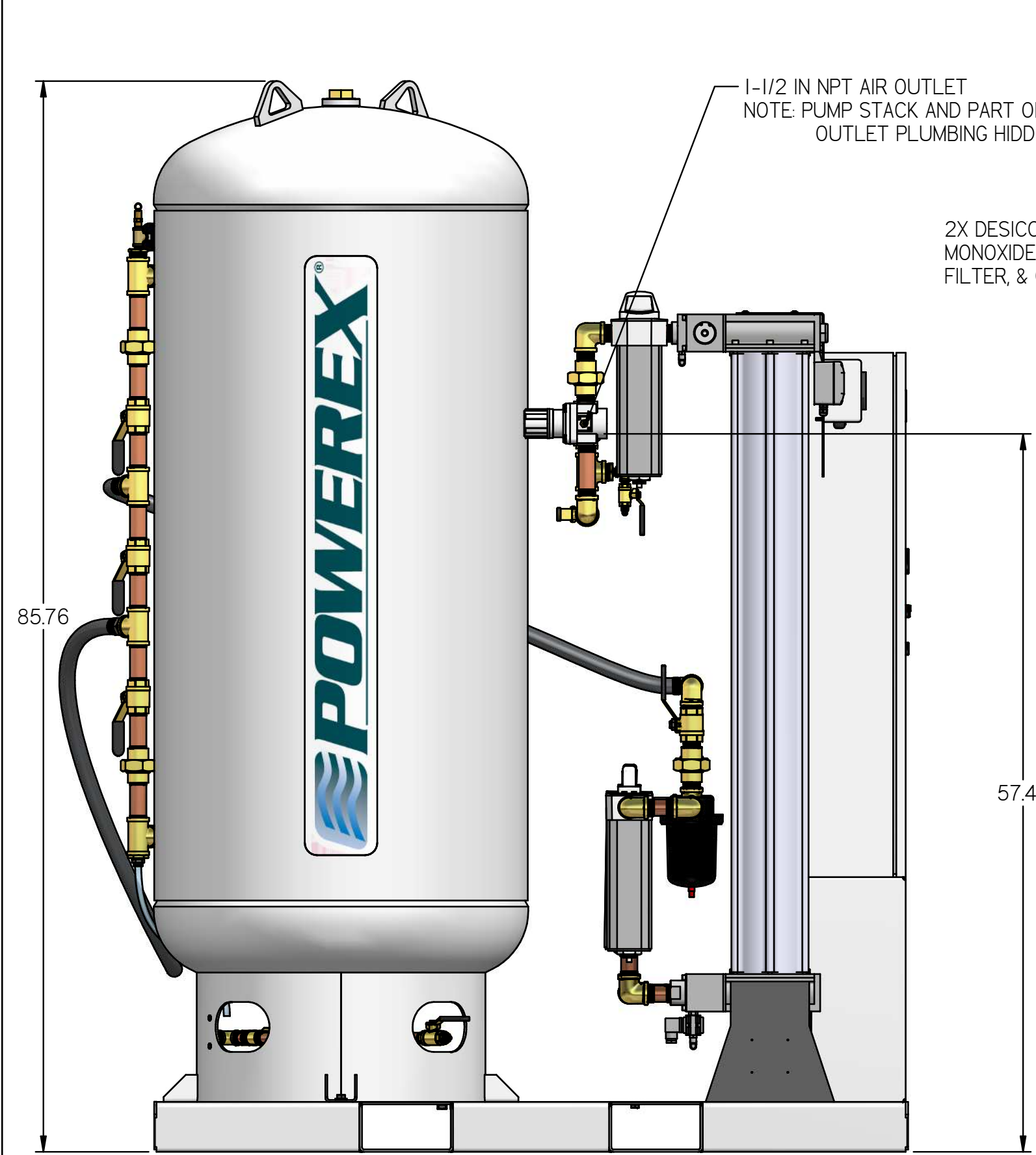
# MST10A5-EX4

MEDICAL OPEN SCROLL 10 HP  
TRIPLEX EXPANDABLE TO  
QUAD 200 GALLON TANK  
PREMIUM PANEL

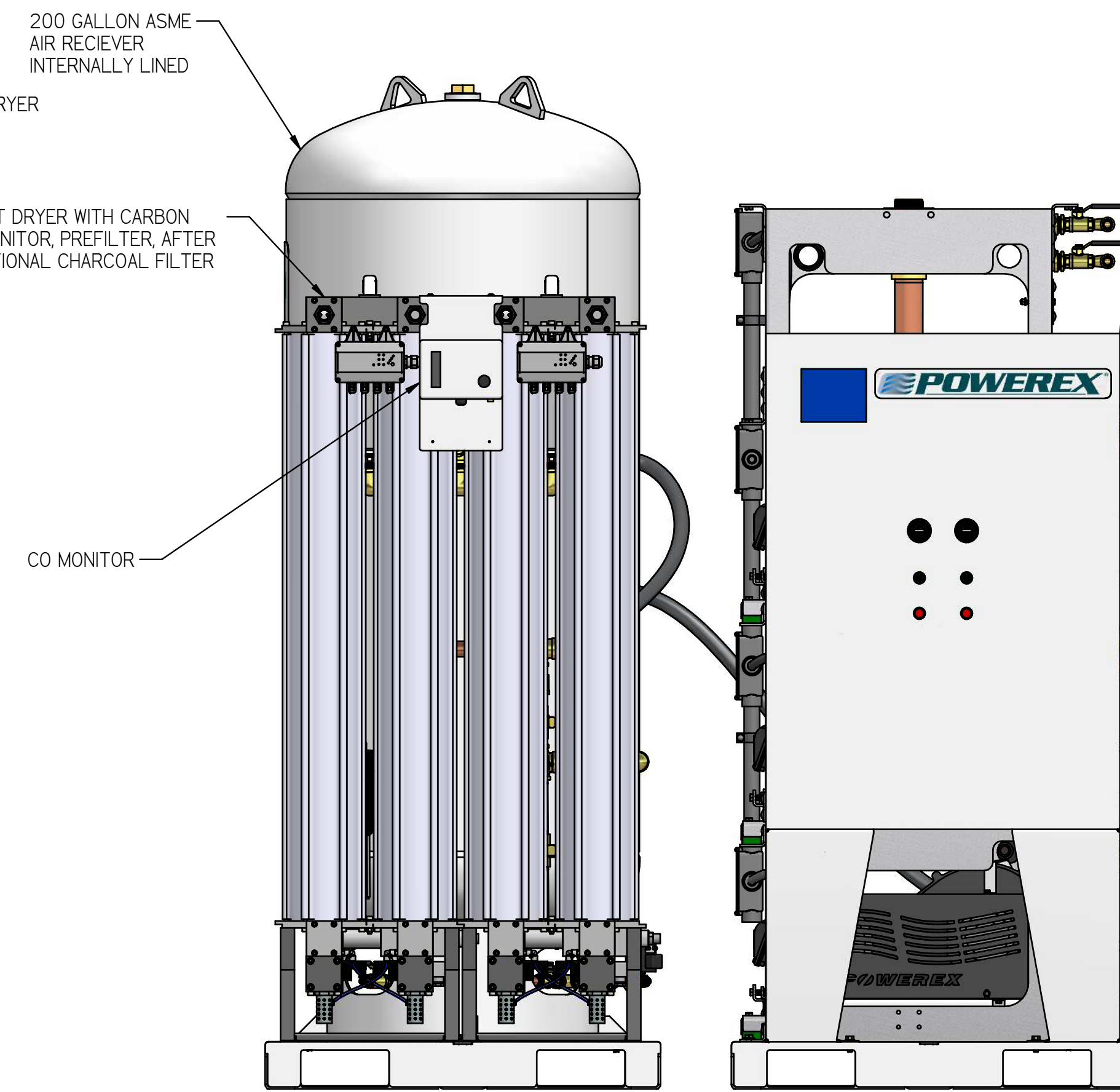
REVISION NOTES		
DESCRIPTION	ECN	PR/NOR
PRODUCTION RELEASE	PXEC0169	N/A



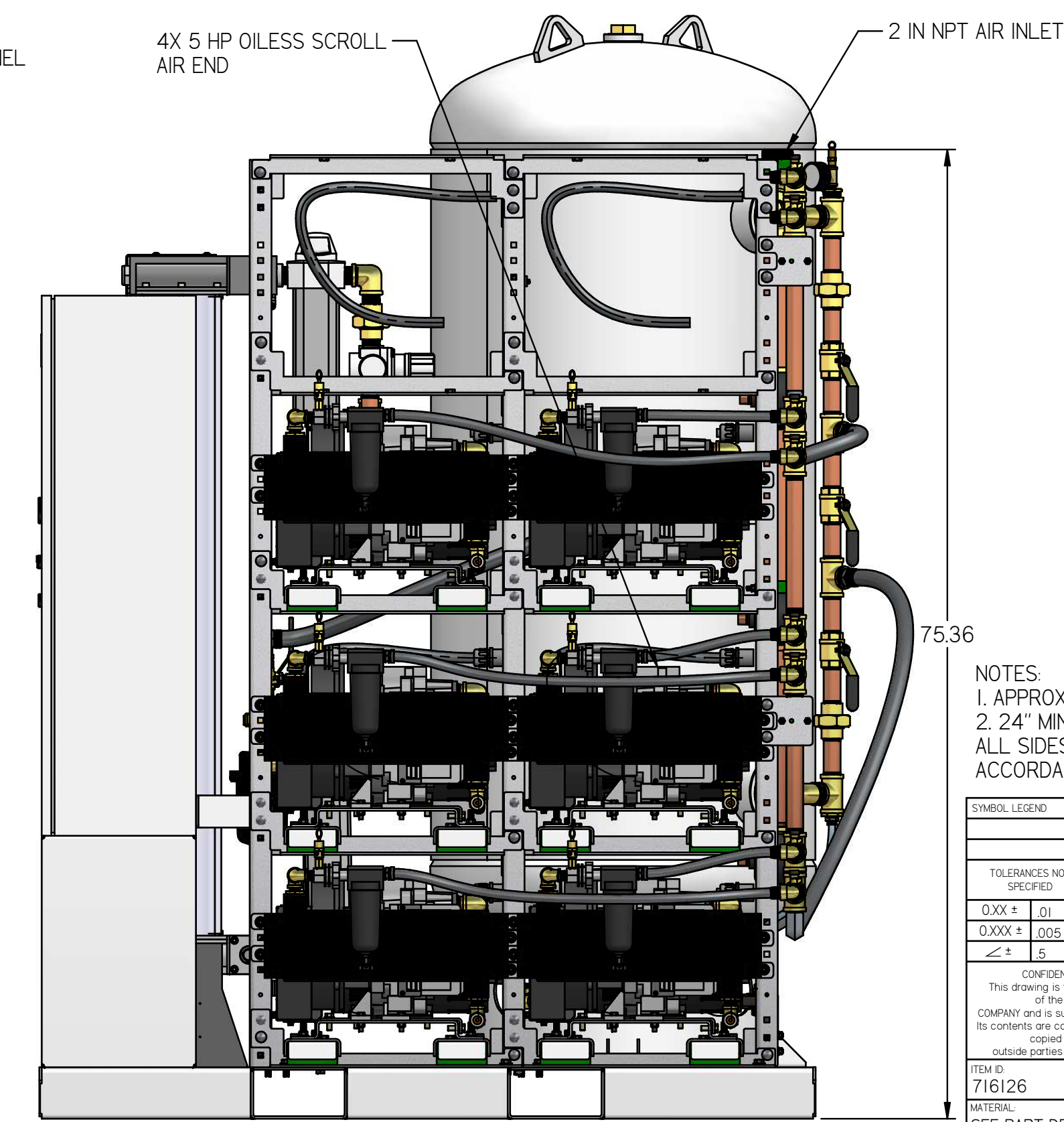
ISO VIEW



LEFT VIEW



FRONT VIEW



RIGHT VIEW

- NOTES:  
1. APPROX SYSTEM WEIGHT: 3289 LB  
2. 24" MINIMUM MAINTENANCE CLEARANCE RECOMMENDED ALL SIDES. CLEARANCE FOR CONTROL PANEL SHALL BE IN ACCORDANCE WITH OSHA/NEC REQUIREMENTS

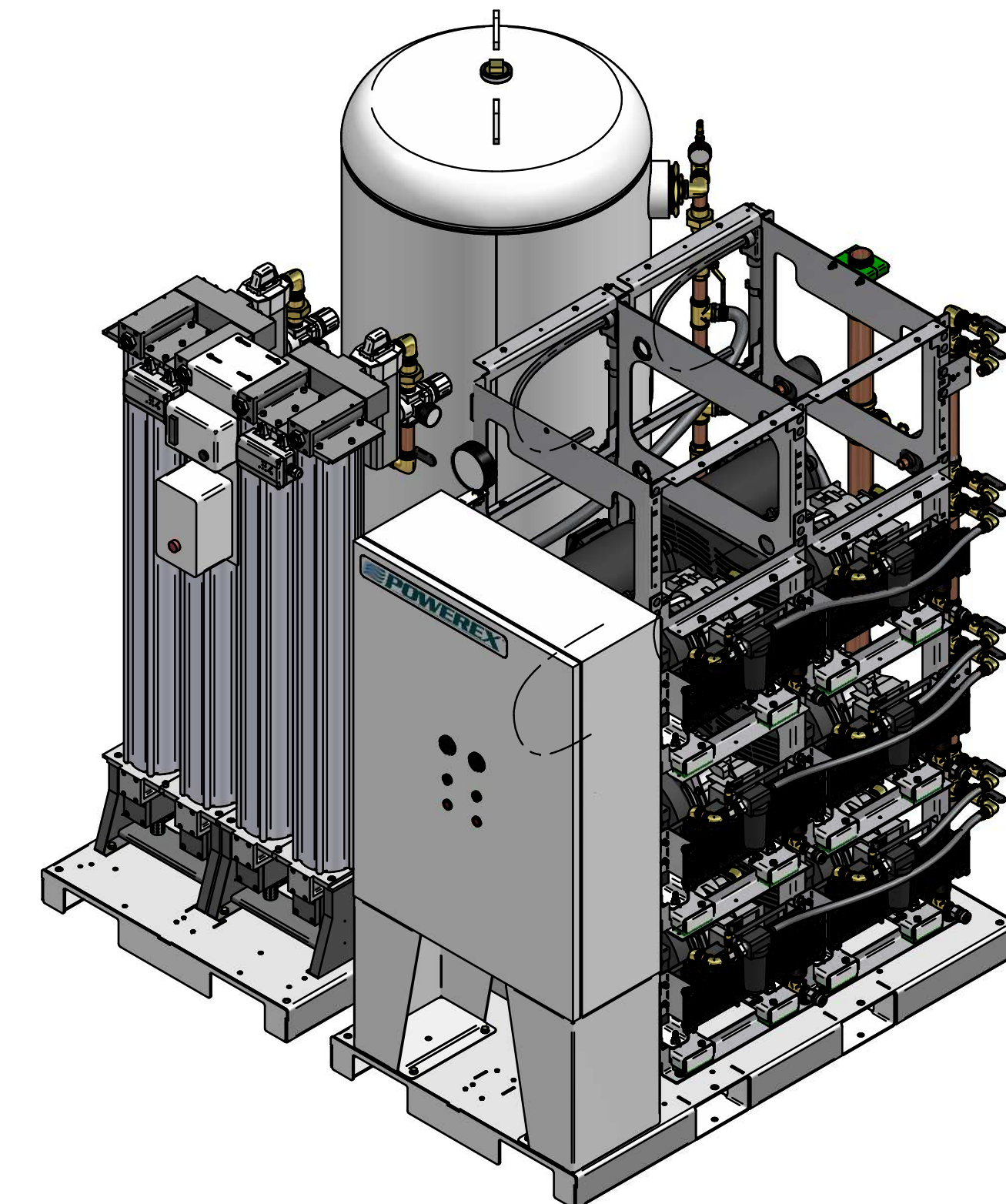
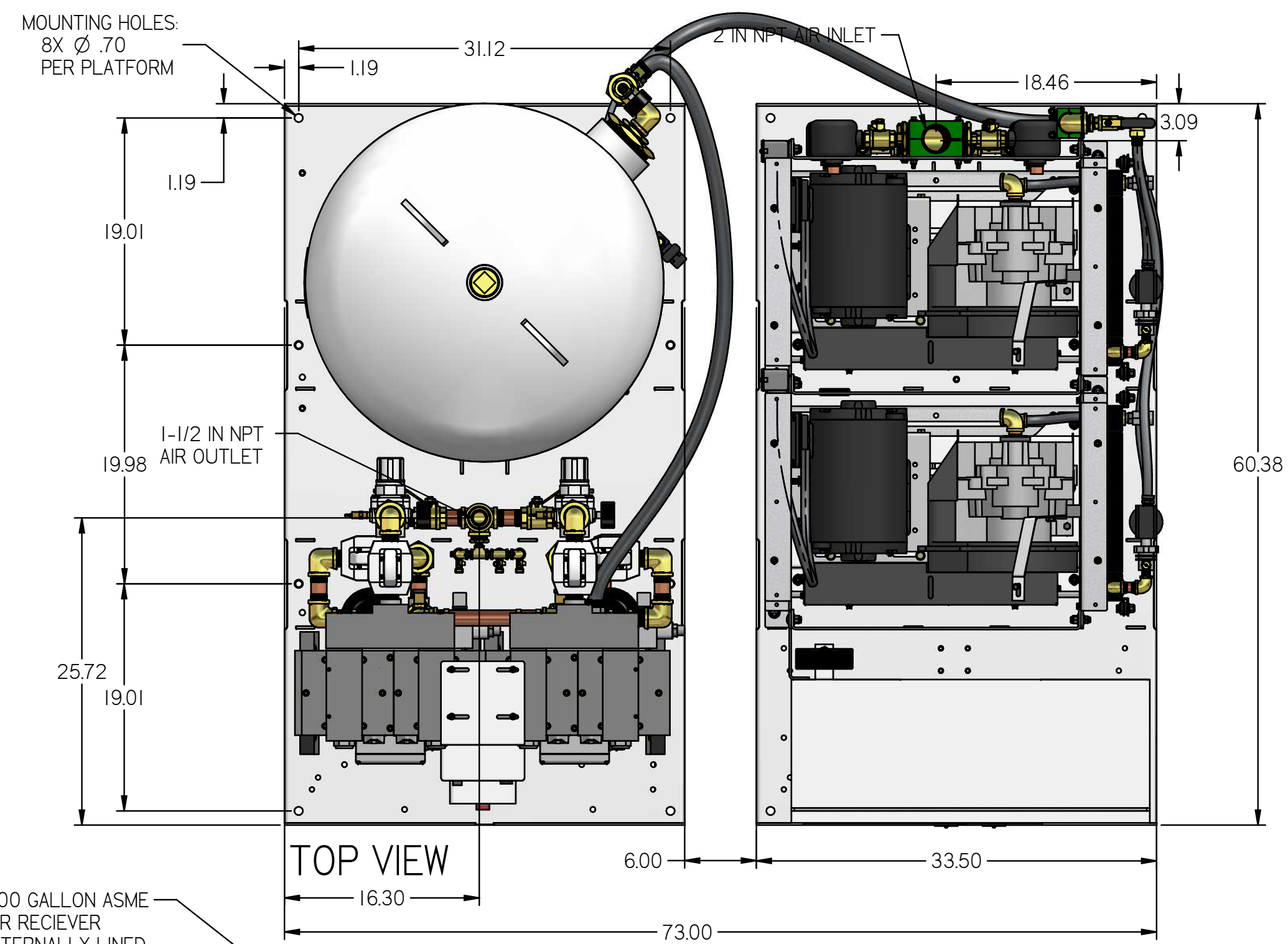
SYMBOL LEGEND		DRAWINGS TO CONFORM TO CURRENT REVISION OF THE FOLLOWING ANSI STANDARDS:		
TOLERANCES NOT SPECIFIED	SOLID EDGE DRAWING	DO NOT SCALE DRAWING FOR DIMENSIONS		
0.XXX ± .01	INCH	SHEET 1 OF 5	SCALE	1:10
0.XXX ± .005				
<small>CONFIDENTIAL DISCLOSURE</small> This drawing is the property of POWEREX of the SCOTT FETTER COMPANY and is subject to return on demand. Its contents are confidential and must not be copied or submitted to outside parties for use or examination.		AUTHOR	ORIGINATION DATE	APPROVALS ON FILE IN PLM
TITLE: 716126 MATERIAL: SEE PART DRAWINGS		ASoulek	10/2/2018	
DESCRIPTION: MEDICAL OPEN SCROLL 10 HP TRIPLEX EXPANDABLE TO QUAD 200 GALLON TANK		DRAWING NUMBER: MST10A5-EX4		REVISION: A SIZE: D



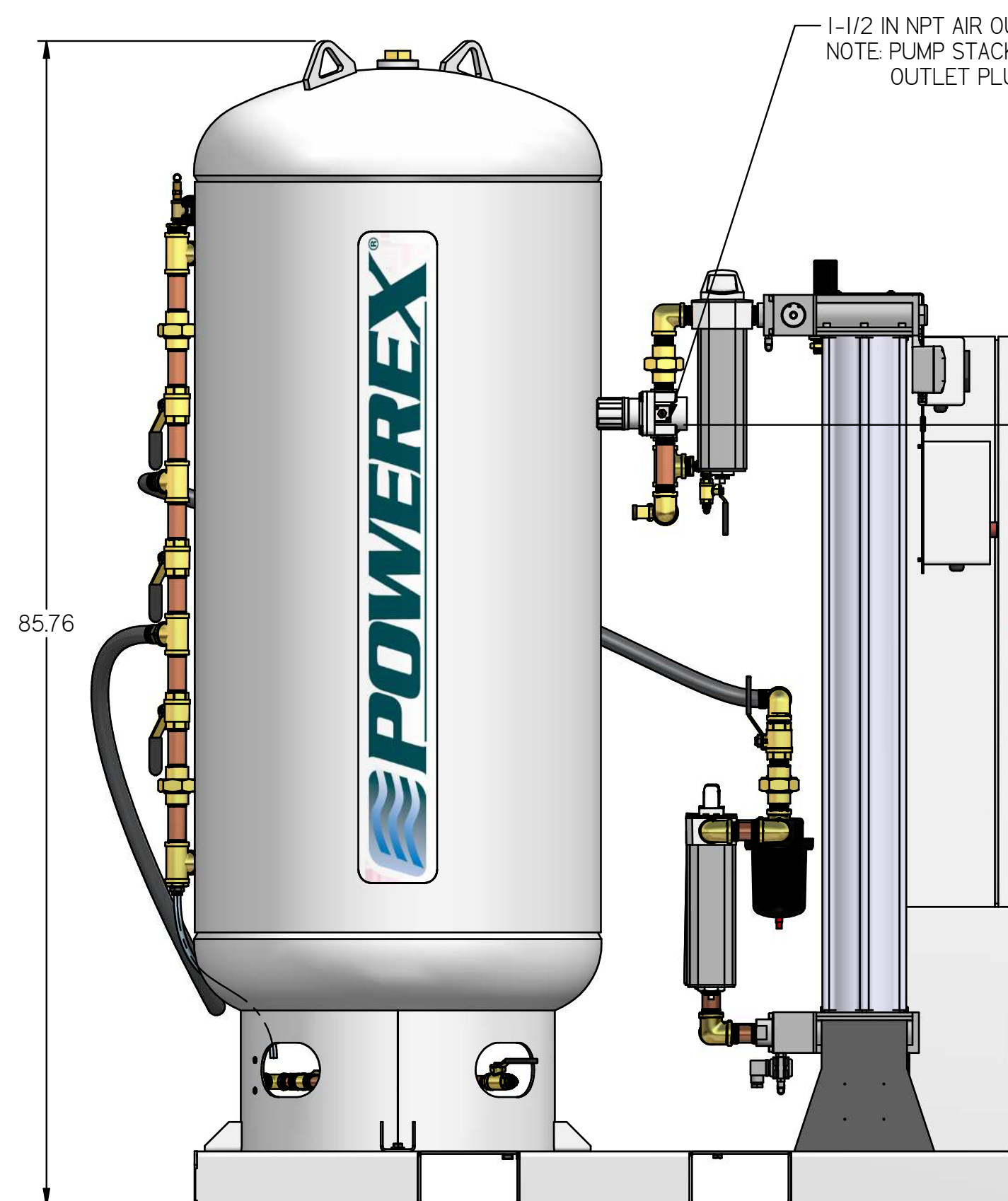
REVISION NOTES		
DESCRIPTION	ECN	PR/NOR
PRODUCTION RELEASE	PXECO169	N/A

# MST10A5-EX4

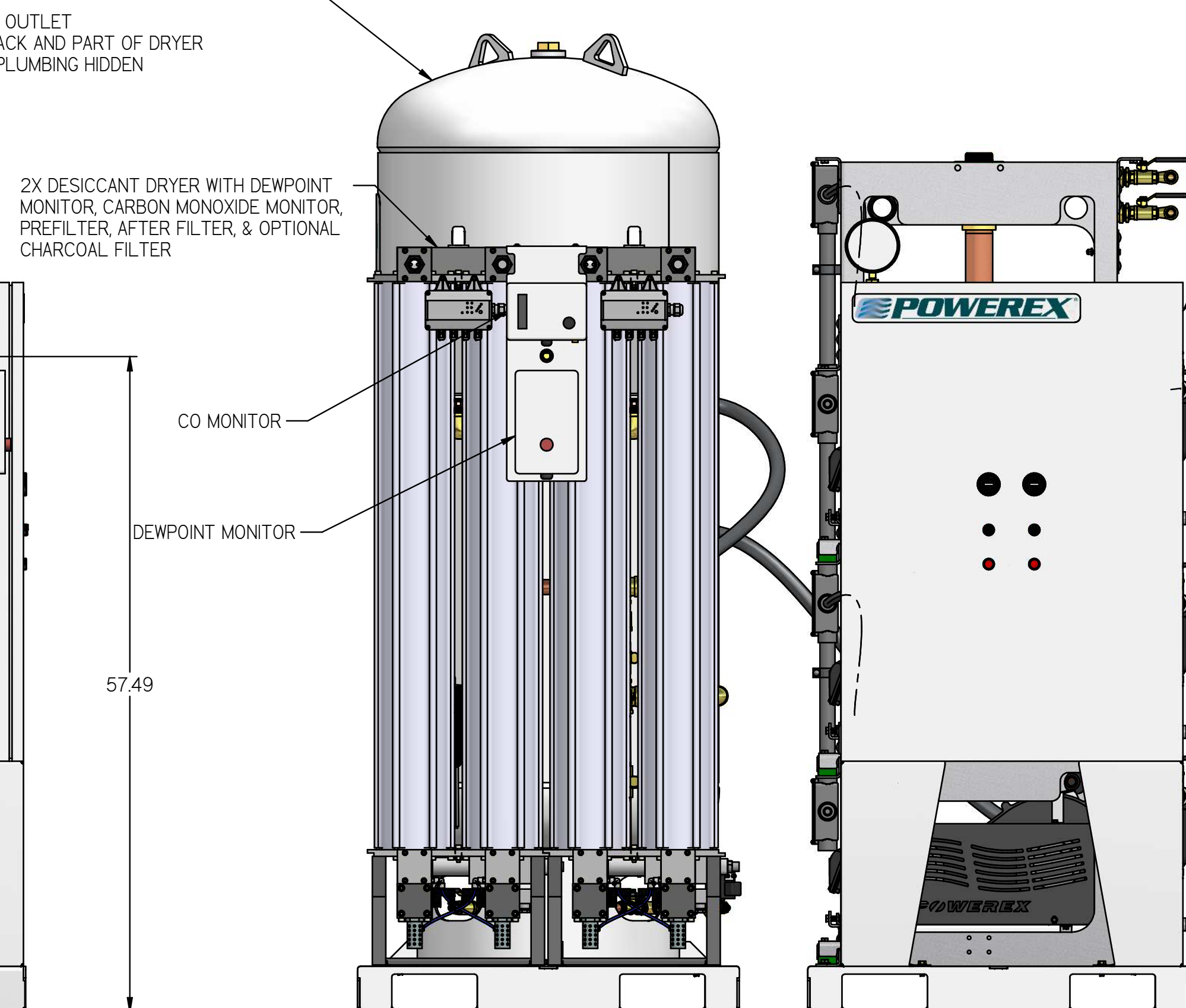
MEDICAL OPEN SCROLL 10 HP TRIPLEX EXPANDABLE TO QUAD 200 GALLON TANK  
BASIC PANEL



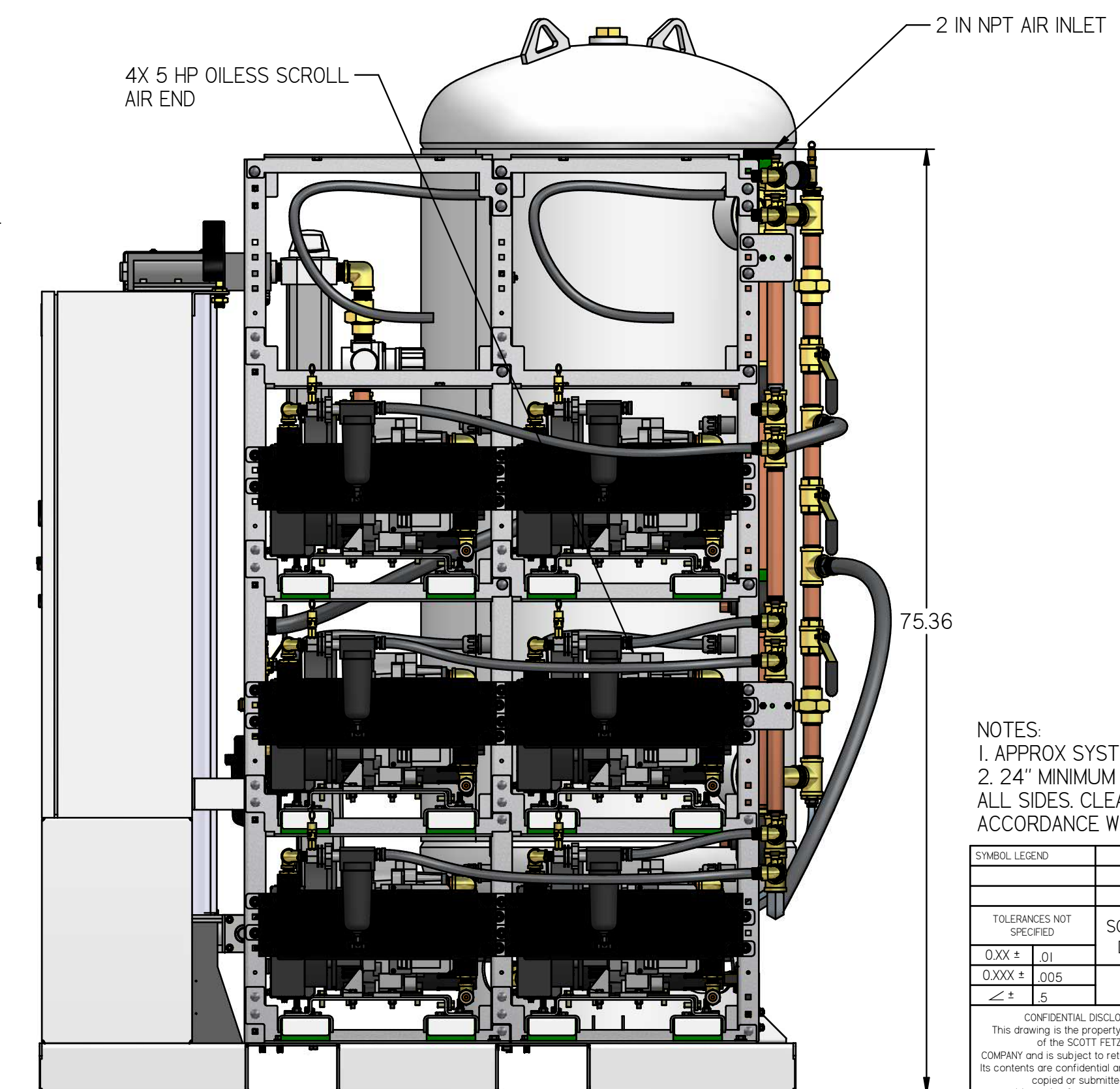
ISO VIEW



LEFT VIEW



FRONT VIEW



RIGHT VIEW

- NOTES:  
 1. APPROX SYSTEM WEIGHT: 3289 LB  
 2. 24" MINIMUM MAINTENANCE CLEARANCE RECOMMENDED  
 ALL SIDES. CLEARANCE FOR CONTROL PANEL SHALL BE IN ACCORDANCE WITH OSHA/NEC REQUIREMENTS

SYMBOL LEGEND		DRAWINGS TO CONFORM TO CURRENT REVISION OF THE FOLLOWING ANSI STANDARDS:	
TOLERANCES NOT SPECIFIED	SOLID EDGE DRAWING	1:4:3 MULTI AND SECTIONAL VIEW DIMS	1:4:3 DIMENSIONING AND TOLERANCING
0.XXX ± .01	DRAWING	DO NOT SCALE DRAWING FOR DIMENSIONS	SHEET 2 OF 5
0.XXX ± .005			
CONFIDENTIAL DISCLOSURE: This drawing is the property of POWEREX of the SCOTT FETTER COMPANY and is subject to return on demand. Its contents are confidential and must not be copied or submitted to outside parties for use or examination.		AUTHOR	ORIGINATION DATE
716126		ASoulek	10/2/2018
MATERIAL: SEE PART DRAWINGS		APPROVALS ON FILE IN PLM	
DESCRIPTION: MEDICAL OPEN SCROLL 10 HP TRIPLEX EXPANDABLE TO QUAD 200 GALLON TANK		DRAWING NUMBER: MST10A5-EX4	REVISION: A
		SIZE: A	D

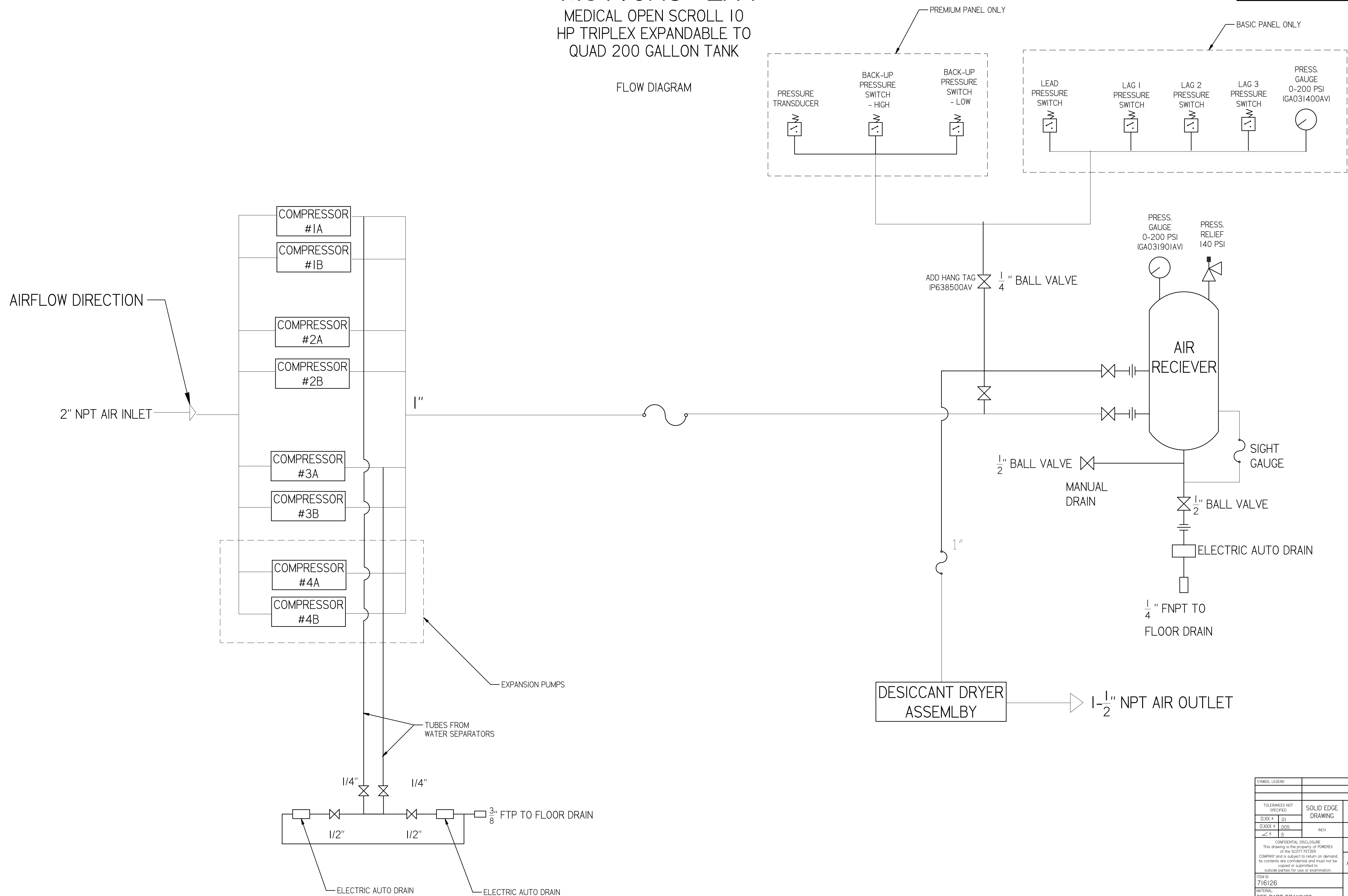


# MST10A5-EX4

MEDICAL OPEN SCROLL 10 HP TRIPLEX EXPANDABLE TO QUAD 200 GALLON TANK

FLOW DIAGRAM

REVISION NOTES		
DESCRIPTION	ECN	PR/NOR
PRODUCTION RELEASE	PXECO169	N/A



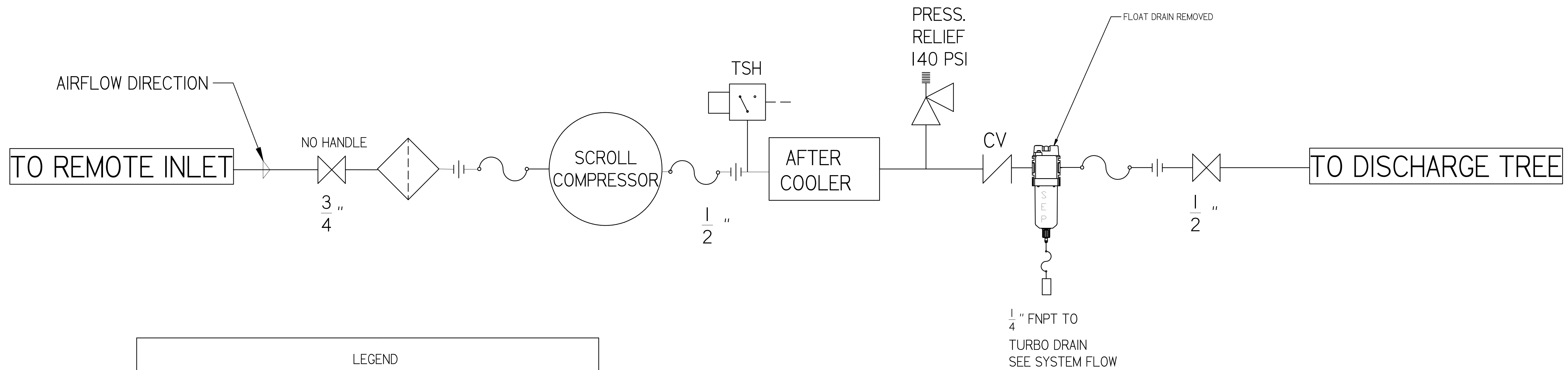
SYMBOL LEGEND		DRAWINGS TO CONFORM TO CURRENT REVISION OF THE FOLLOWING ANSI STANDARDS:		
		Y14.3 MULTI-VIEW	Y14.3 DIMENSIONING	
TOLERANCES NOT SPECIFIED:		DO NOT SCALE DRAWING FOR DIMENSIONS		
0.XX ±	.01	SHEET 3 OF 5	SCALE 1:1	
0.XXX ±	.005			
±	.5	APPROVALS ON FILE IN PLM		
CONFIDENTIAL DISCLOSURE: This drawing is the property of POWEREX or the SCOTT FETTER COMPANY and is subject to return on demand. Its contents are confidential and must not be copied or submitted to outside parties for use or examination.		A Soulek	10/2/2018	
PART NUMBER: 716126		 <small>150 PRODUCTION DRIVE, HARRISON OH 45030 888-768-7079</small>		
MATERIAL: SEE PART DRAWINGS				
DESCRIPTION: MEDICAL OPEN SCROLL 10 HP TRIPLEX EXPANDABLE TO QUAD 200 GALLON TANK		DRAWING NUMBER: MST10A5-EX4	REVISION: A	SIZE: D

REVISION NOTES		
DESCRIPTION	ECN	PR/NOR
PRODUCTION RELEASE	PXECO169	N/A

# MST10A5-EX4

MEDICAL OPEN SCROLL 10  
HP TRIPLEX EXPANDABLE TO  
QUAD 200 GALLON TANK

## MEDICAL COMPRESSOR FLOW DIAGRAM



LEGEND	
	RELIEF VALVE
	INTAKE FILTER
	AIR FILTER
	3 WAY VALVE
	CARBON FILTER
	BALL VALVE
	PRESSURE SWITCH
	REGULATOR
	SEPARATOR
	CHECK VALVE
	FLEX LINE
	TSH HIGH TEMP SWITCH

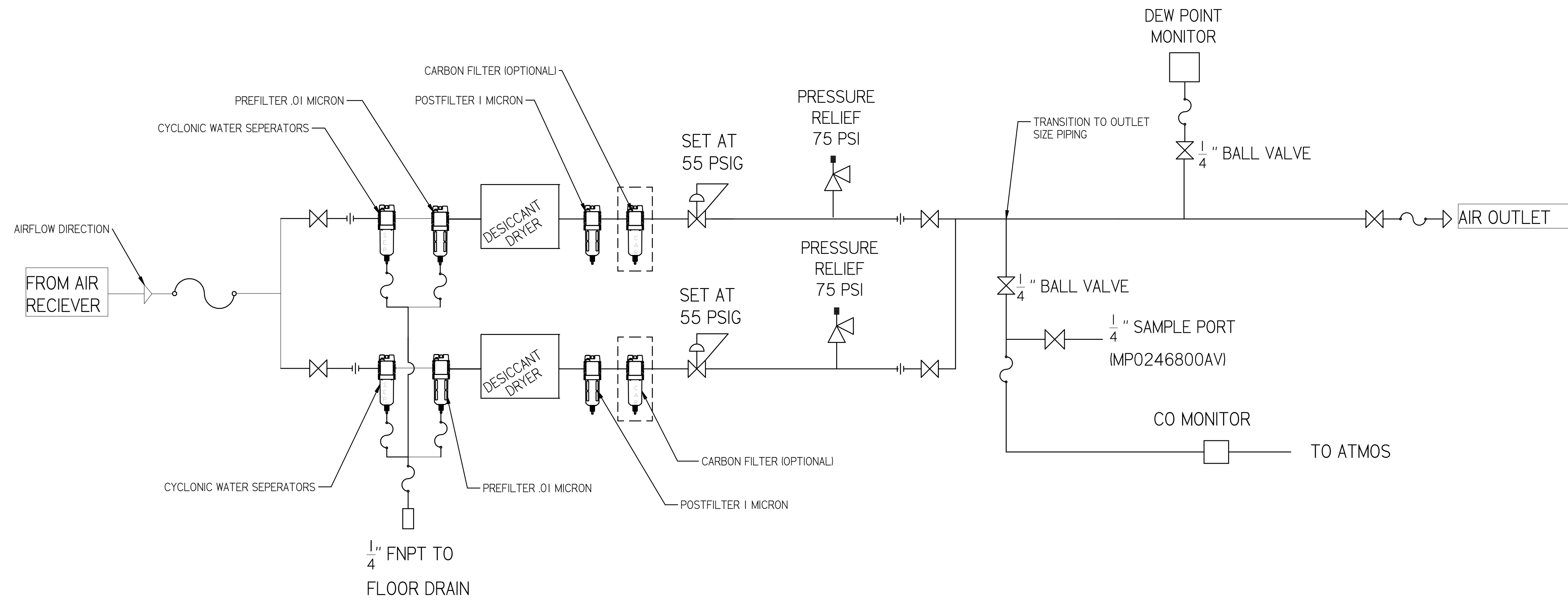
SYMBOL LEGEND		DRAWINGS TO CONFORM TO CURRENT REVISION OF THE FOLLOWING ANSI STANDARDS: Y14.3 MULTI AND SECTIONAL VIEW DWGS Y14.5 DIMENSIONING AND TOLERANCING	
TOLERANCES NOT SPECIFIED	SOLID EDGE DRAWING	DO NOT SCALE DRAWING FOR DIMENSIONS	
0.XXX ± .01	INCH	SHEET 4 OF 5	SCALE 1:1
0.XXX ± .005			
± .5			
<small>CONFIDENTIAL DISCLOSURE</small> This drawing is the property of POWEREX of the SCOTT FETTER COMPANY and is subject to return on demand. Its contents are confidential and must not be copied or submitted to outside parties for use or examination.		<small>AUTHOR</small> ASoulek	<small>ORIGINATION DATE</small> 10/2/2018
<small>ITEM NO.</small> 716126			
<small>MATERIAL</small> SEE PART DRAWINGS		<small>150 PRODUCTION DRIVE, HARRISON OH 45030</small> <small>ISS: 7/26-7/27</small>	
<small>DESCRIPTION</small> MEDICAL OPEN SCROLL 10 HP TRIPLEX EXPANDABLE TO QUAD 200 GALLON TANK		<small>DRAWING NUMBER</small> MST10A5-EX4	<small>REVISION</small> A
			<small>SIZE</small> D

REVISION NOTES		
DESCRIPTION	ECN	PR/NOR
PRODUCTION RELEASE	PXEC0169	N/A

# MST10A5-EX4

MEDICAL OPEN SCROLL 10  
HP TRIPLEX EXPANDABLE TO  
QUAD 200 GALLON TANK

## MEDICAL DRYER FLOW DIAGRAM



PIPE SIZE CHART		
PUMP COUNT	DRYER PLUMBING SIZE	OUTLET PIPE SIZE
2	1/2"	1/2"
3	1/2"	1"
4	1/2"	1"
6	1"	1-1/2"
8	1"	1-1/2"
9	1"	1-1/2"
12	1-1/2"	2"
15	1-1/2"	2"
18	1-1/2"	2"

SYMBOL LEGEND		DRAWINGS TO CONFORM TO CURRENT REVISION OF THE FOLLOWING ANSI STANDARDS: Y14.3 MULTI AND SECTIONAL VIEW DIMS Y14.5 DIMENSIONING AND TOLERANCING	
TOLERANCES NOT SPECIFIED	SOLID EDGE DRAWING	DO NOT SCALE DRAWING FOR DIMENSIONS	
0.XXX ± .01	INCH	SHEET 5 OF 5	SCALE 1:1
0.XXX ± .005			
± .5	CONFIDENTIAL DISCLOSURE This drawing is the property of POWEREX of the SCOTT FETTER COMPANY and is subject to return on demand. Its contents are confidential and must not be copied or submitted to outside parties for use or examination.	AUTHOR	ORIGINATION DATE
1716126	ASoulek	10/2/2018	APPROVALS ON FILE IN PLM
MATERIAL: SEE PART DRAWINGS			<small>150 PRODUCTION DRIVE, HARRISON OH 45030 888-768-7079</small>
DESCRIPTION: MEDICAL OPEN SCROLL 10 HP TRIPLEX EXPANDABLE TO QUAD 200 GALLON TANK	DRAWING NUMBER: MST10A5-EX4	REVISION: A	SIZE: D