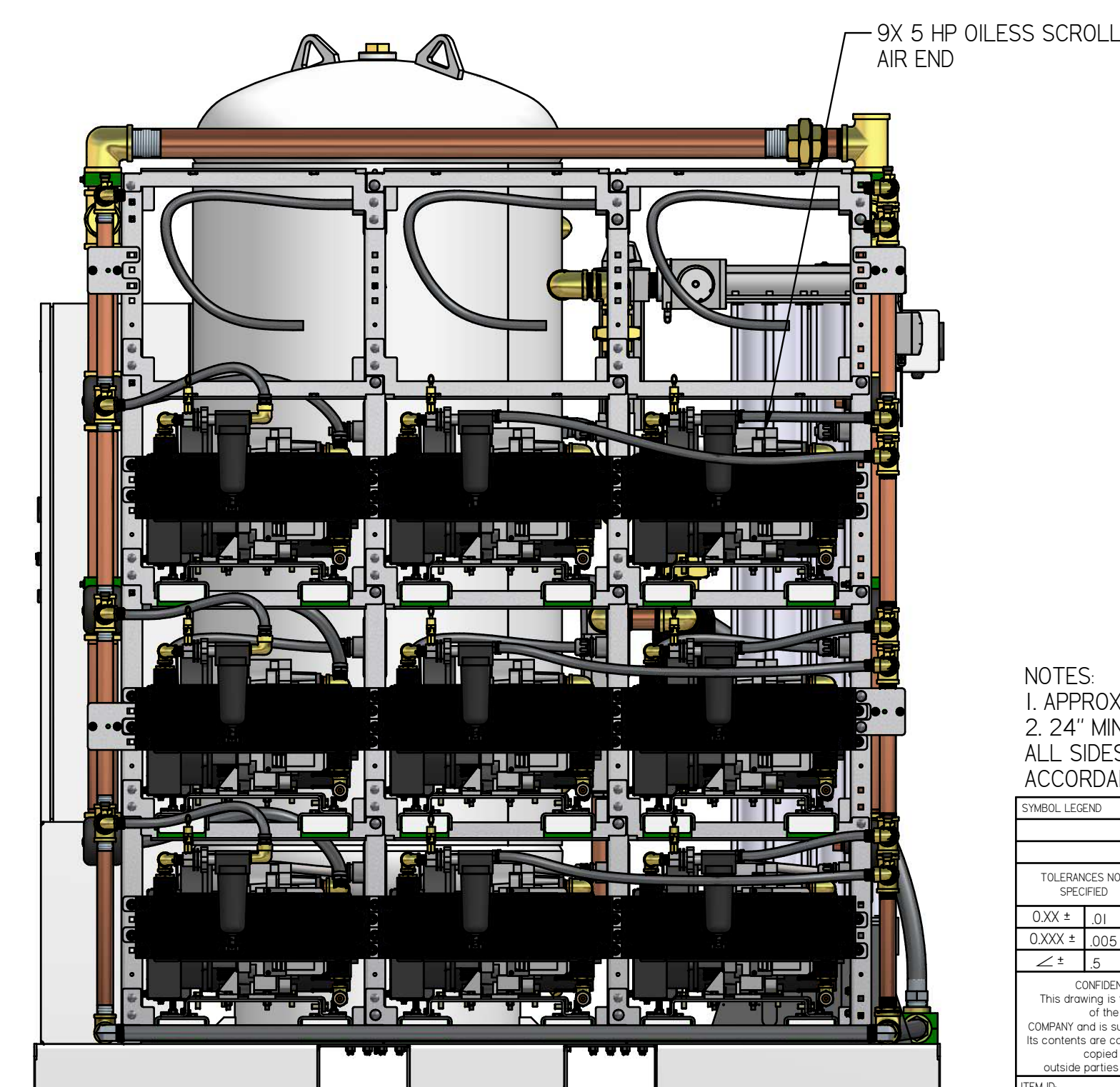
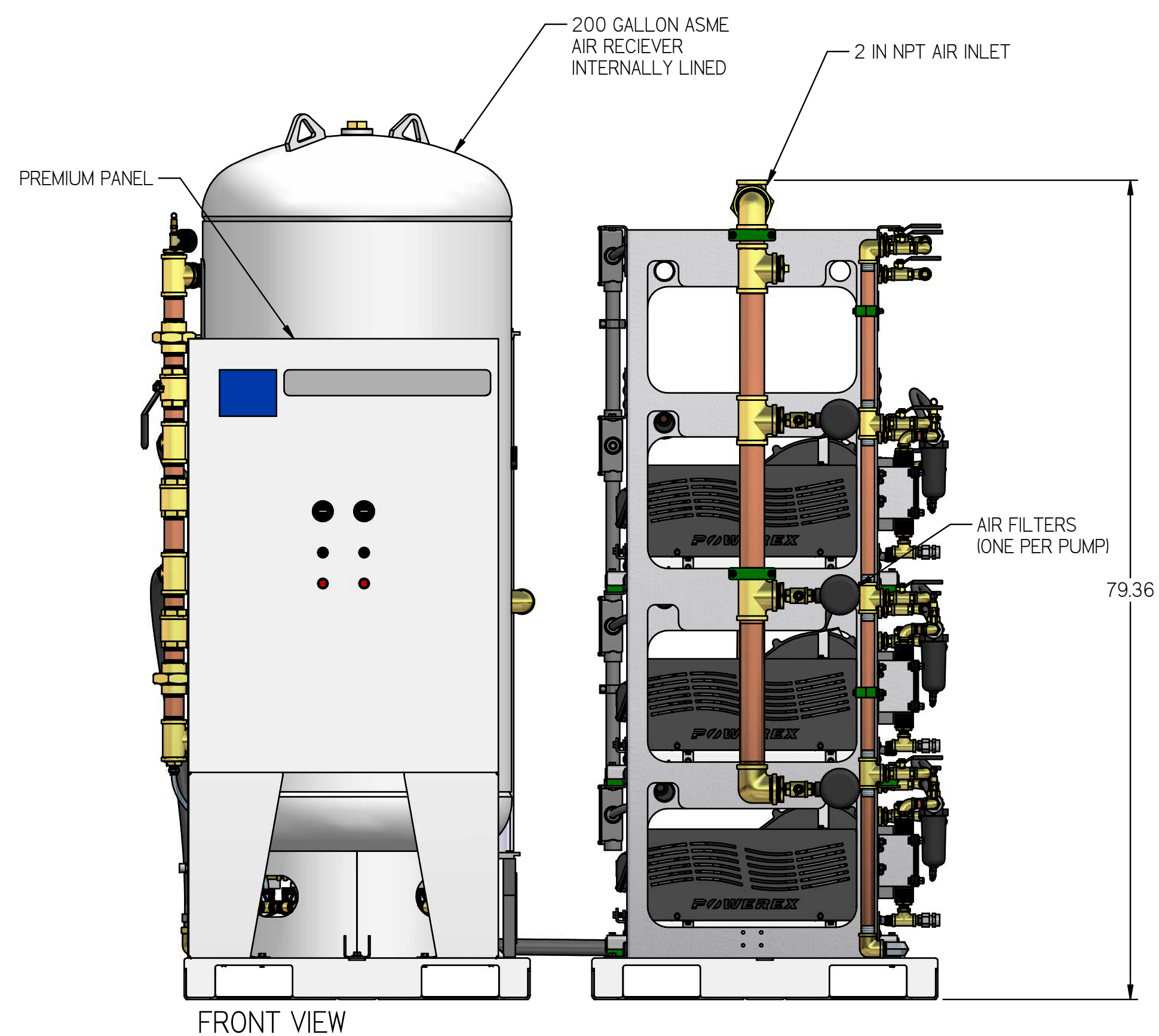
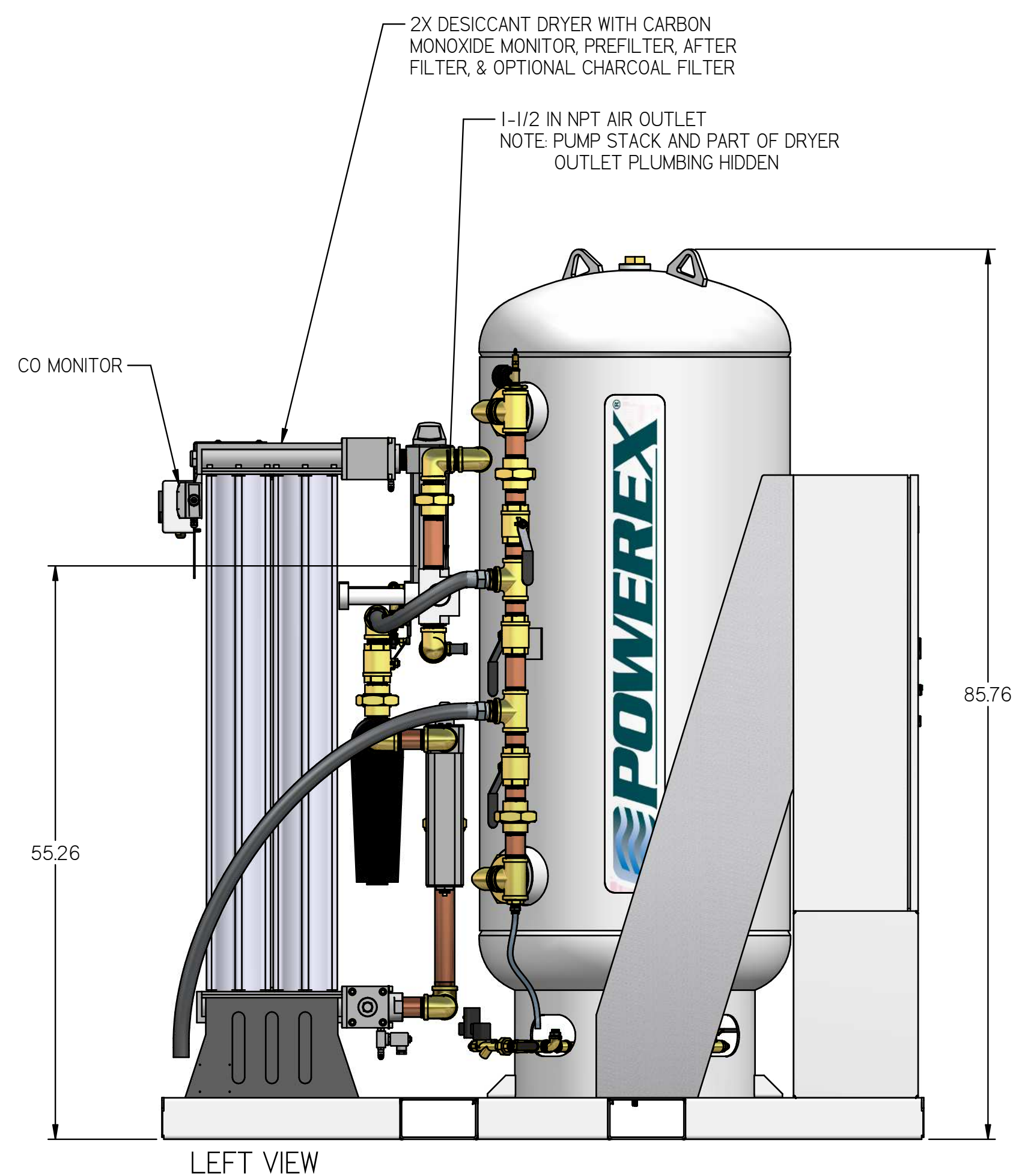
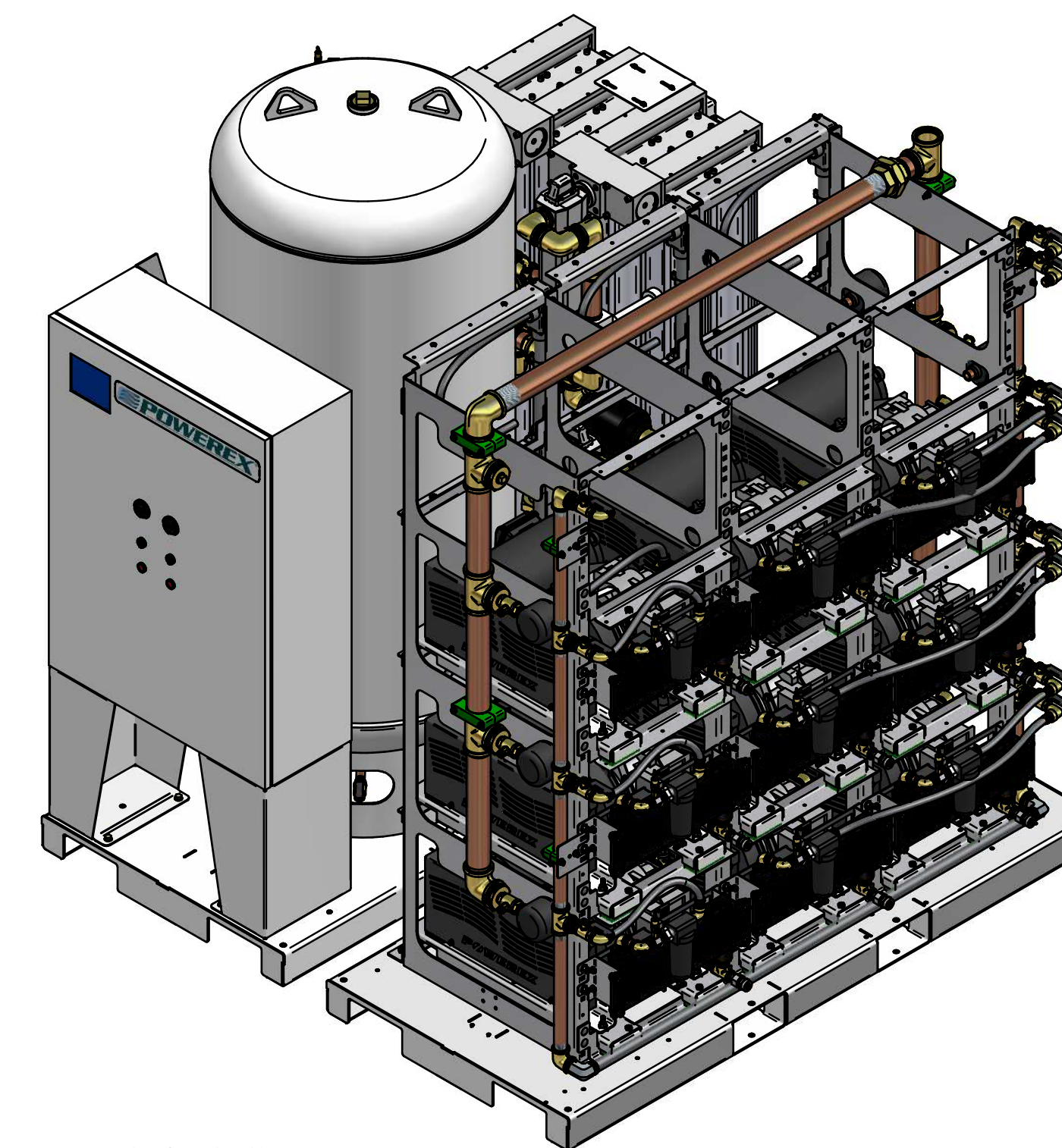
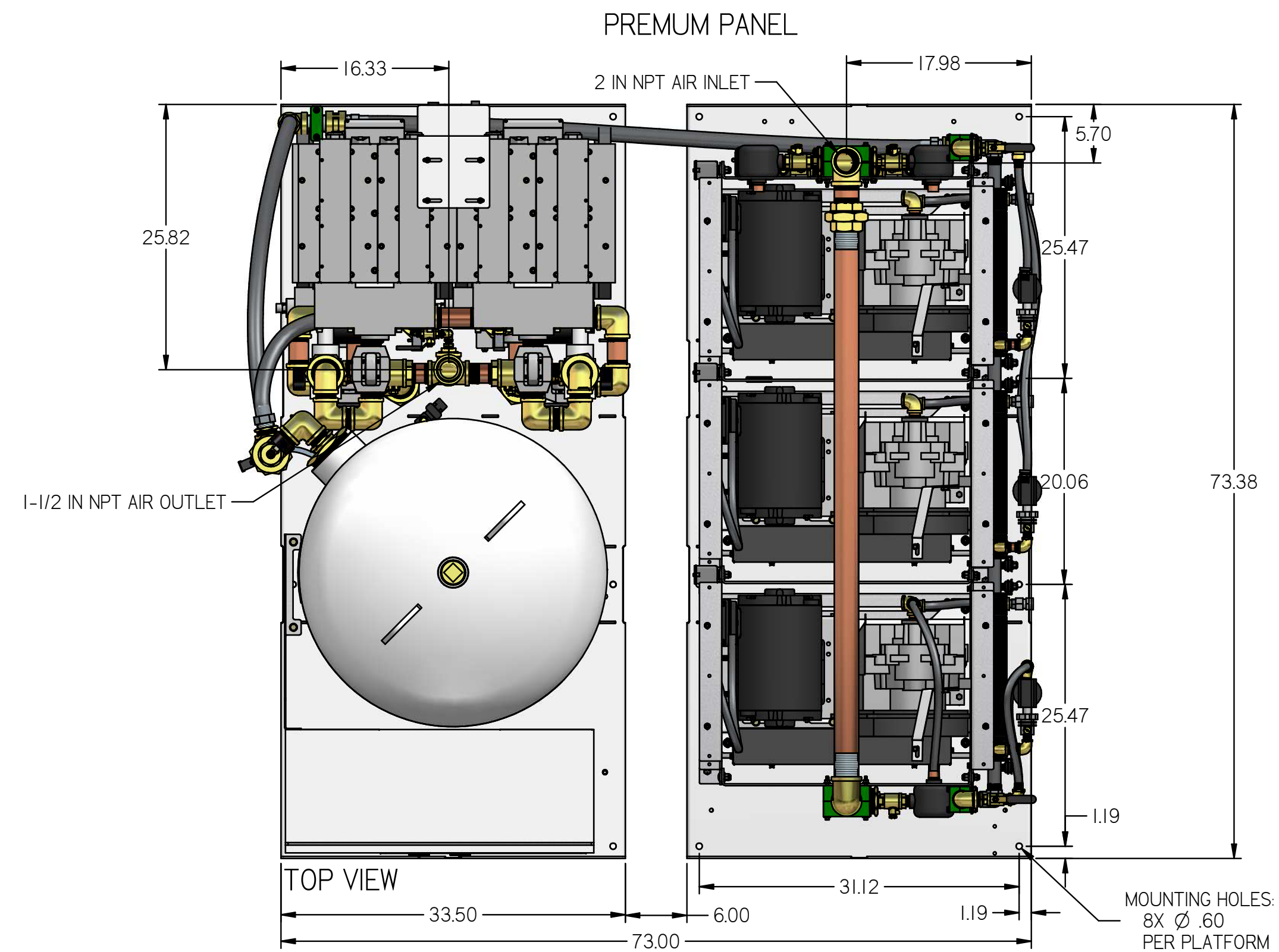


# MST15A5-EX4

MED OPEN SCROLL 15HP  
TRIPLEX EXPANDIBLE TO  
QUAD WITH 200G TANK

REVISION NOTES		
DESCRIPTION	ECN	PR/NOR
PRODUCTION RELEASE	PXEC0169	N/A



- NOTES:
- APPROX SYSTEM WEIGHT: 4885 LB
  - 24" MINIMUM MAINTENANCE CLEARANCE RECOMMENDED ALL SIDES. CLEARANCE FOR CONTROL PANEL SHALL BE IN ACCORDANCE WITH OSHA/NEC REQUIREMENTS

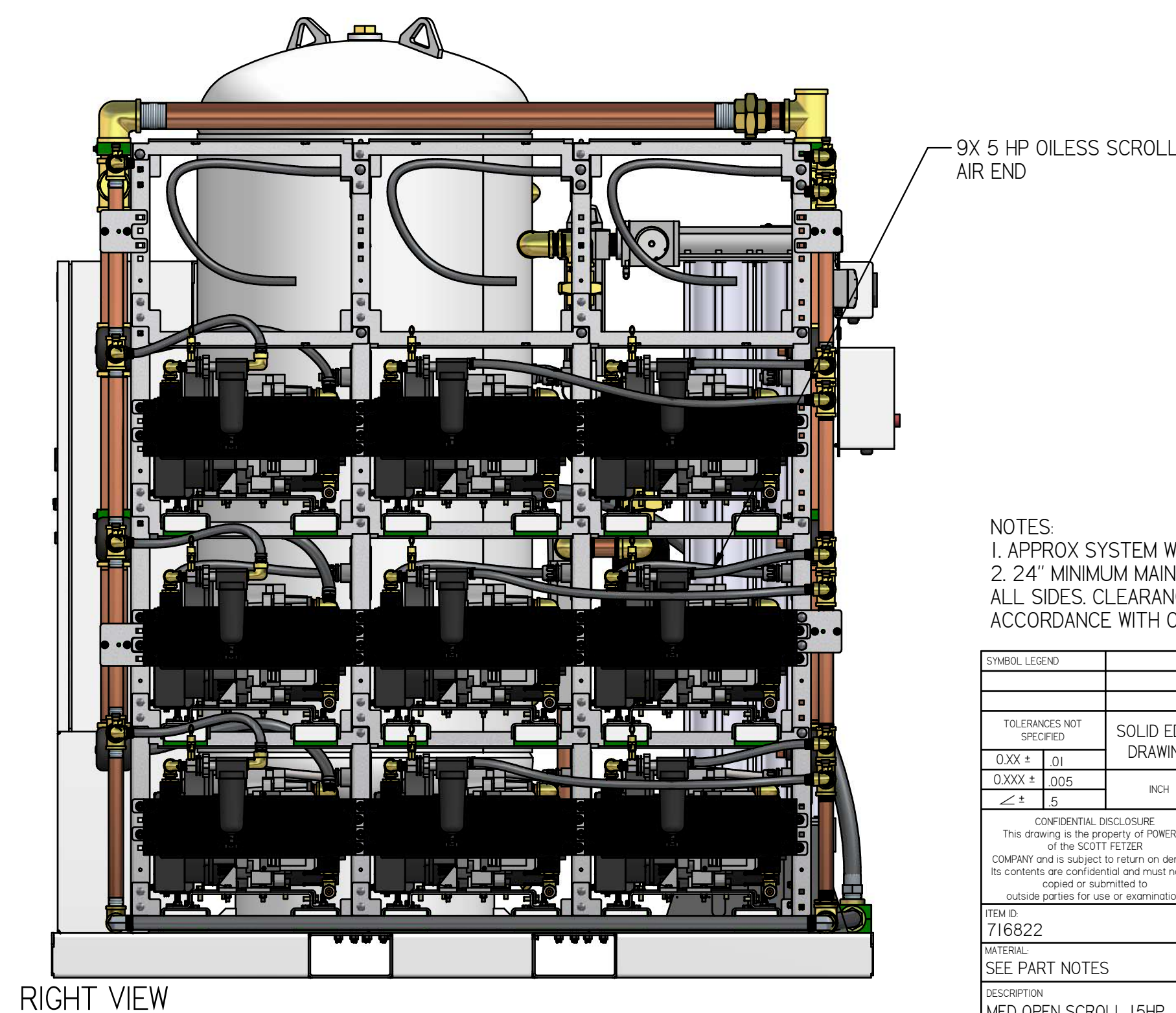
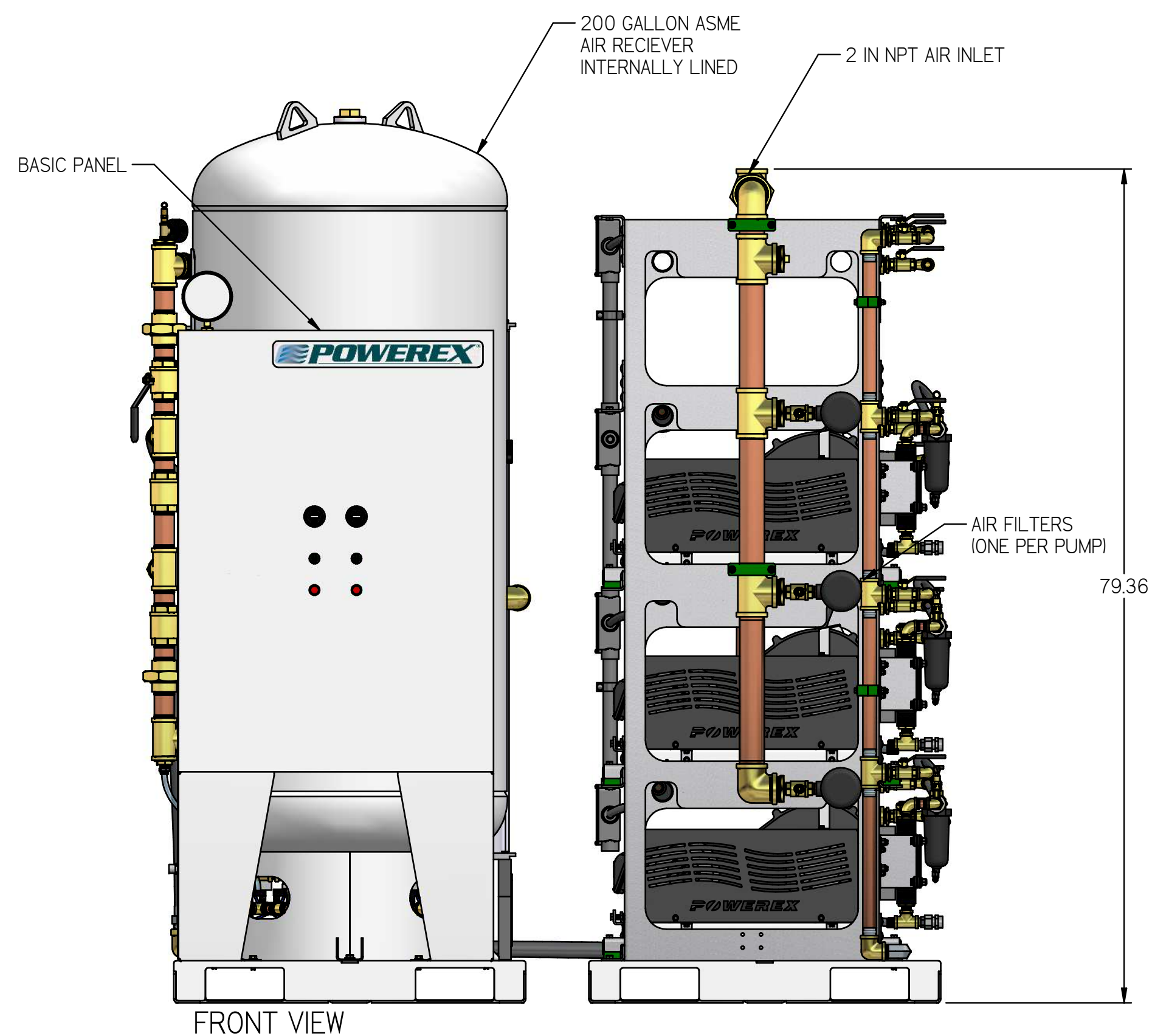
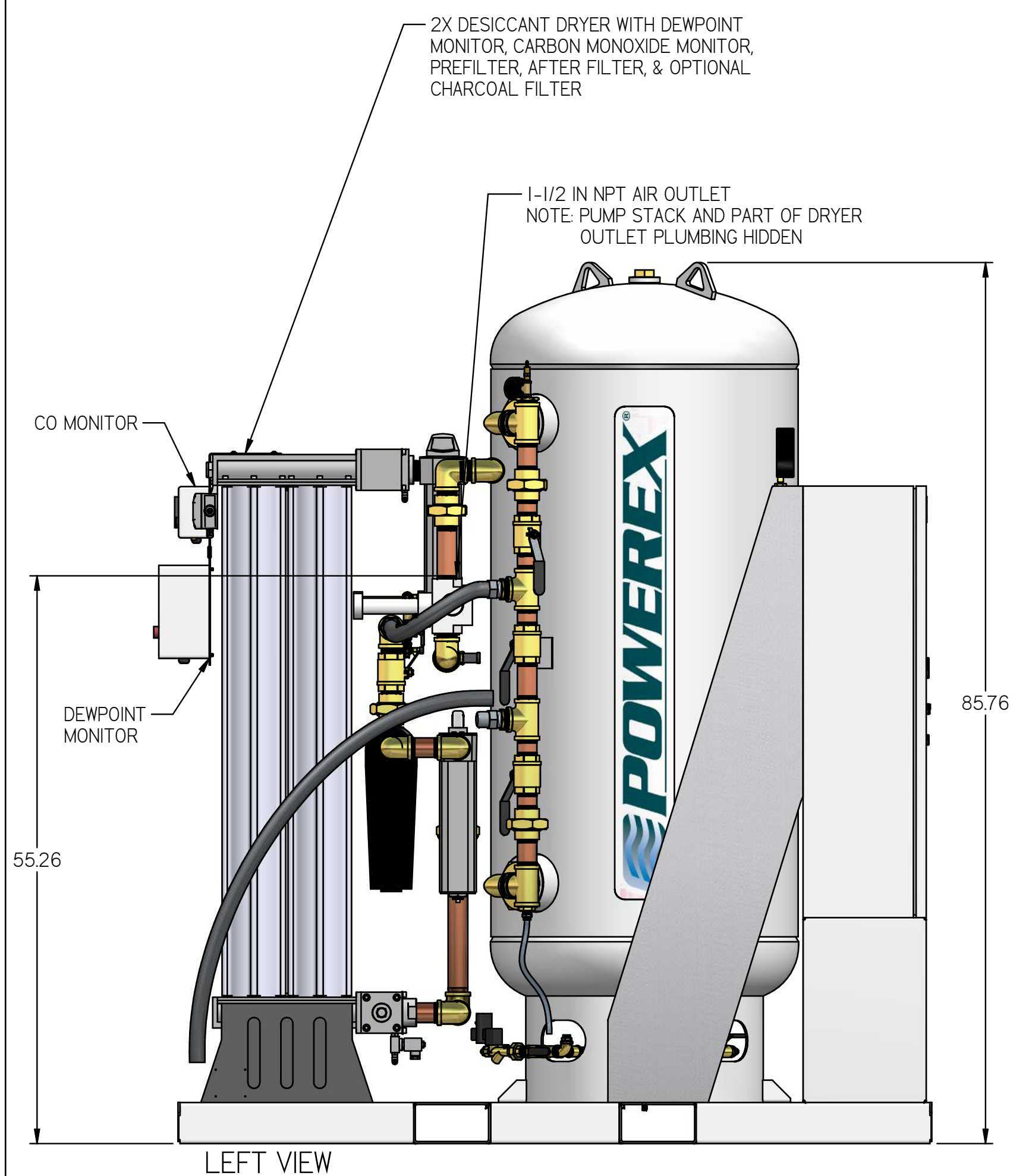
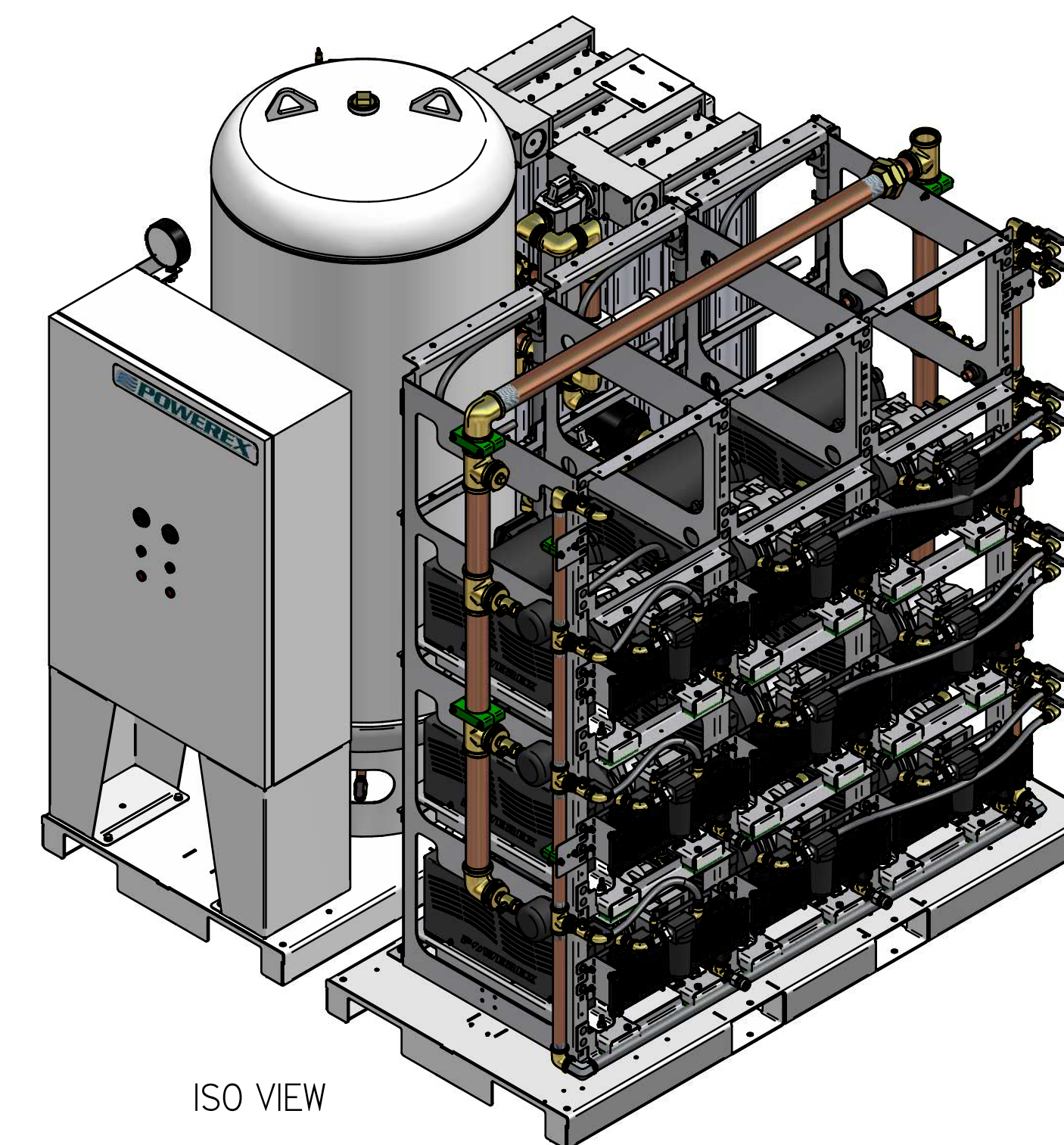
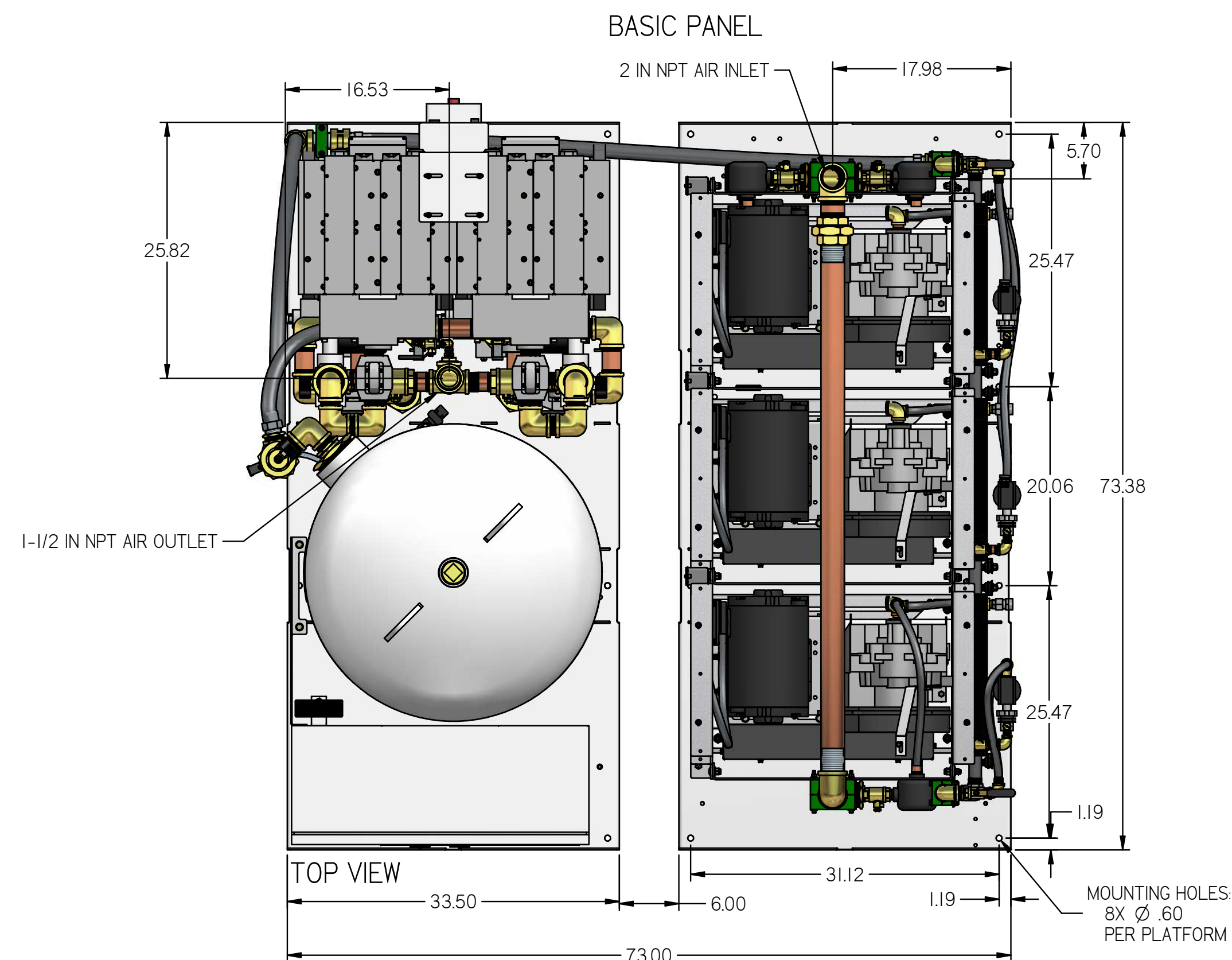
SYMBOL LEGEND		DRAWINGS TO CONFORM TO CURRENT REVISION OF THE FOLLOWING ANSI STANDARDS:			
TOLERANCES NOT SPECIFIED	SOLID EDGE DRAWING	DO NOT SCALE DRAWING FOR DIMENSIONS			
0.XXX ± .01		SHEET 1 OF 5			
0.XXX ± .005	INCH	SCALE	I:1:1		
CONFIDENTIAL DISCLOSURE: This drawing is the property of POWEREX or the SCOTT FETTER COMPANY and is subject to return on demand. Its contents are confidential and must not be copied or submitted to outside parties for use or examination.		AUTHOR	ORIGINATION DATE	APPROVALS ON FILE IN PLM	
PART NO: 716822		ASoulek	11/5/2018		
MATERIAL: SEE PART NOTES					
DESCRIPTION: MED OPEN SCROLL 15HP TRIPLEX EXPANDIBLE TO QUAD WITH 200G TANK		DRAWING NUMBER: MST15A5-EX4	REVISION: B	SIZE: D	



# MST15A5-EX4

MED OPEN SCROLL 15HP  
TRIPLEX EXPANDIBLE TO  
QUAD WITH 200G TANK

REVISION NOTES		
DESCRIPTION	ECN	PR/NOR
PRODUCTION RELEASE	PXEC0169	N/A



- NOTES:
- APPROX SYSTEM WEIGHT: 4885 LB
  - 24" MINIMUM MAINTENANCE CLEARANCE RECOMMENDED ALL SIDES. CLEARANCE FOR CONTROL PANEL SHALL BE IN ACCORDANCE WITH OSHA/NEC REQUIREMENTS

SYMBOL LEGEND		DRAWINGS TO CONFORM TO CURRENT REVISION OF THE FOLLOWING ANSI STANDARDS:		
TOLERANCES NOT SPECIFIED	SOLID EDGE DRAWING	DO NOT SCALE DRAWING FOR DIMENSIONS		
0.XXX ± .01	INCH	SHEET 2 OF 5	SCALE	1:1:1
0.XXX ± .005				
CONFIDENTIAL DISCLOSURE This drawing is the property of POWEREX of the SCOTT FETTER COMPANY and is subject to return on demand. Its contents are confidential and must not be copied or submitted to outside parties for use or examination.		AUTHOR	ORIGINATION DATE	APPROVALS ON FILE IN PLM
ITEM NO: 716822	ASoulek		11/5/2018	
MATERIAL: SEE PART NOTES				
DESCRIPTION: MED OPEN SCROLL 15HP TRIPLEX EXPANDIBLE TO QUAD WITH 200G TANK		DRAWING NUMBER: MST15A5-EX4	REVISION: B	SIZE: D

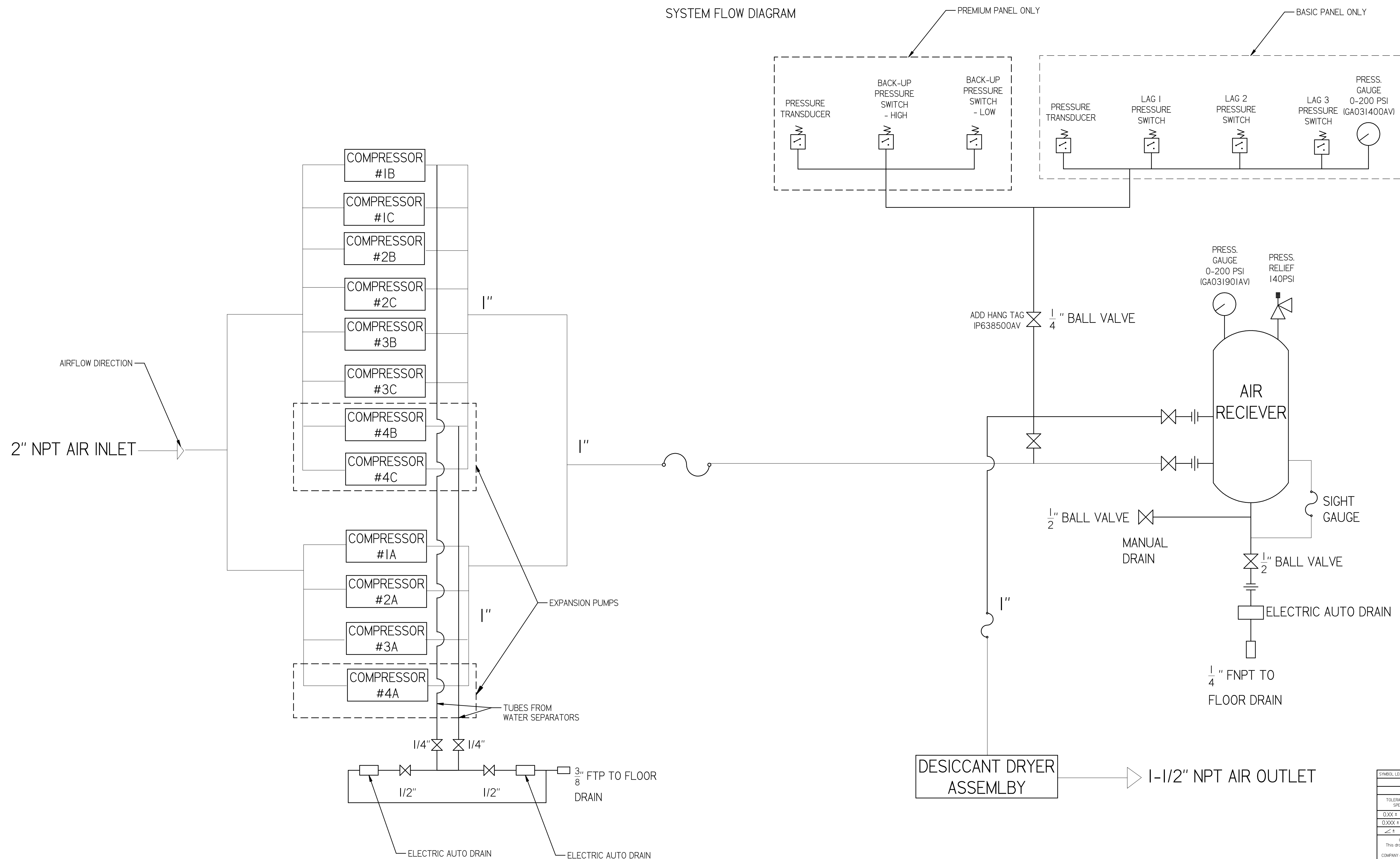


# MST15A5-EX4

MED OPEN SCROLL 15HP  
TRIPLEX EXPANDIBLE TO  
QUAD WITH 200G TANK

SYSTEM FLOW DIAGRAM

REVISION NOTES		
DESCRIPTION	ECN	PR/NOR
PRODUCTION RELEASE	PXECO169	N/A



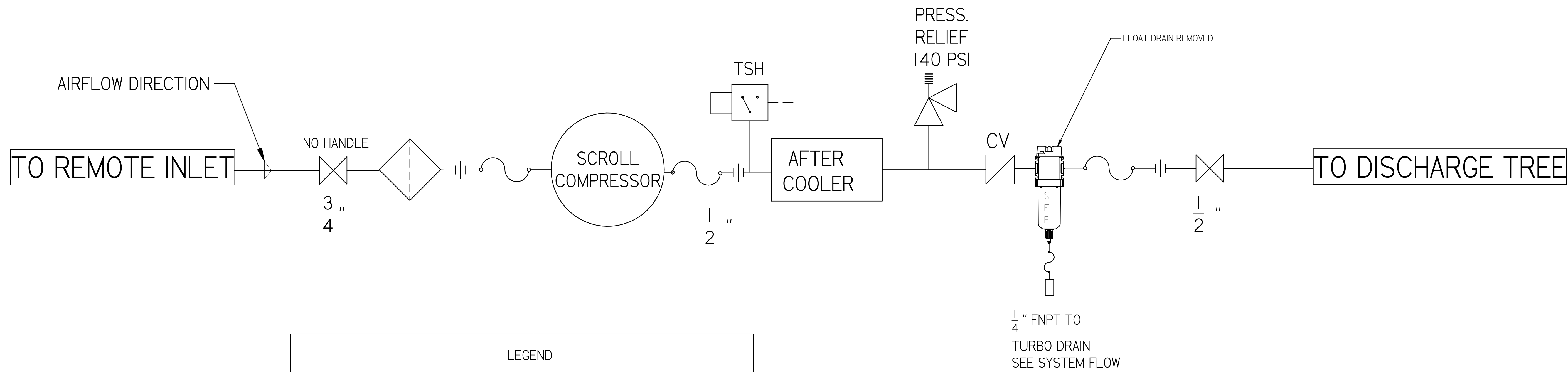
SYMBOL LEGEND		DRAWINGS TO CONFORM TO CURRENT REVISION OF THE FOLLOWING ANSI STANDARDS: Y14.3 MULTI-VIEW AND SECTIONAL VIEW DWGS Y14.5 DIMENSIONING AND TOLERANCING	
TOLERANCES NOT SPECIFIED	SOLID EDGE DRAWING	DO NOT SCALE DRAWING FOR DIMENSIONS	
0.XXX ± .01	INCH	SHEET 3 OF 5	SCALE 1:1
0.XXX ± .005			
∠ ± .5	APPROVALS ON FILE IN PLM		
<small>CONFIDENTIAL DISCLOSURE</small> This drawing is the property of POWEREX or the SCOTT FETTER COMPANY and is subject to return on demand. Its contents are confidential and must not be copied or submitted to outside parties for use or examination.		A Soulek	11/5/2018
ITEM NO: 716822			
MATERIAL: SEE PART NOTES	150 PRODUCTION DRIVE, HARRISON OH 45030 (888) 768-7079		
DESCRIPTION: MED OPEN SCROLL 15HP TRIPLEX EXPANDIBLE TO QUAD WITH 200G TANK	DRAWING NUMBER: MST15A5-EX4	REVISION: B	SIZE: D

REVISION NOTES		
DESCRIPTION	ECN	PR/NOR
PRODUCTION RELEASE	PXECO169	N/A

# MST15A5-EX4

MED OPEN SCROLL 15HP  
TRIPLEX EXPANDIBLE TO  
QUAD WITH 200G TANK

MEDICAL COMPRESSOR  
FLOW DIAGRAM



LEGEND	
	RELIEF VALVE
	INTAKE FILTER
	AIR FILTER
	3 WAY VALVE
	CARBON FILTER
	BALL VALVE
	PRESSURE SWITCH
	REGULATOR
	SEPARATOR
	CHECK VALVE
	FLEX LINE
	TSH HIGH TEMP SWITCH

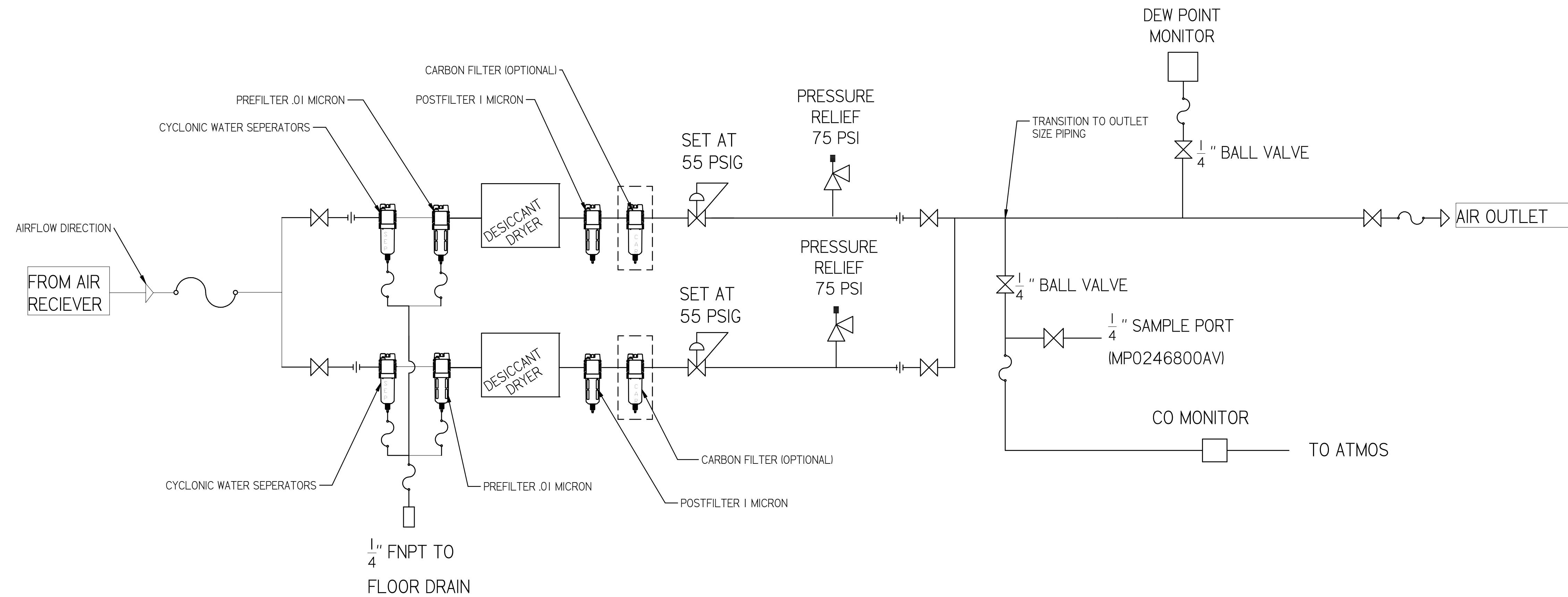
SYMBOL LEGEND		DRAWINGS TO CONFORM TO CURRENT REVISION OF THE FOLLOWING ANSI STANDARDS:	
TOLERANCES NOT SPECIFIED:		Y14.3 MULTI AND SECTIONAL VIEW DIMS	
0.XXX ± .01	SOLID EDGE DRAWING	DO NOT SCALE DRAWING FOR DIMENSIONS	
0.XXX ± .005		SHEET 4 OF 5	SCALE 1:1
± .5	INCH	APPROVALS ON FILE IN PLM	
<small>CONFIDENTIAL DISCLOSURE</small> This drawing is the property of POWEREX of the SCOTT FETTER COMPANY and is subject to return on demand. Its contents are confidential and must not be copied or submitted to outside parties for use or examination.		A Soulek	11/5/2018
ITEM #: 716822 MATERIAL: SEE PART NOTES		 150 PRODUCTION DRIVE, HARRISON OH 45030 (888) 768-7079	
DESCRIPTION MED OPEN SCROLL 15HP TRIPLEX EXPANDIBLE TO QUAD WITH 200G TANK		DRAWING NUMBER MST15A5-EX4	REVISION B D

REVISION NOTES		
DESCRIPTION	ECN	PR/NOR
PRODUCTION RELEASE	PXECO169	N/A

# MST15A5-EX4

MED OPEN SCROLL 15HP  
TRIPLEX EXPANDIBLE TO  
QUAD WITH 200G TANK

## MEDICAL DRYER FLOW DIAGRAM



PIPE SIZE CHART		
PUMP COUNT	DRYER PLUMBING SIZE	OUTLET PIPE SIZE
2	1/2"	1/2"
3	1/2"	1"
4	1/2"	1"
6	1"	1-1/2"
8	1"	1-1/2"
9	1"	1-1/2"
12	1-1/2"	2"
15	1-1/2"	2"
18	1-1/2"	2"

SYMBOL LEGEND		DRAWINGS TO CONFORM TO CURRENT REVISION OF THE FOLLOWING ANSI STANDARDS: Y14.3 MULTI AND SECTIONAL VIEW DIMS Y14.5 DIMENSIONING AND TOLERANCING	
TOLERANCES NOT SPECIFIED	SOLID EDGE DRAWING	DO NOT SCALE DRAWING FOR DIMENSIONS	
0.XXX ± .01	INCH	SHEET 5 OF 5	SCALE 1:1
0.XXX ± .005			
± .5	CONFIDENTIAL DISCLOSURE This drawing is the property of POWEREX or the SCOTT FETTER COMPANY and is subject to return on demand. Its contents are confidential and must not be copied or submitted to outside parties for use or examination.	AUTHOR	ORIGINATION DATE
11/5/2018	ASoulek	APPROVALS ON FILE IN PLM	
716822			
SEE PART NOTES	150 PRODUCTION DRIVE, HARRISON OH 45030 888-768-7079		
DESCRIPTION MED OPEN SCROLL 15HP TRIPLEX EXPANDIBLE TO QUAD WITH 200G TANK	DRAWING NUMBER MST15A5-EX4	REVISION B	SIZE D