

A  
POWER  
UNIT #1  
MP1 10 13 14

B  
POWER  
UNIT #2  
MP2 11 13 14

C  
POWER  
UNIT #3  
MP3 12 13 14

D  
POWER  
120V CONTROL  
FU1&2 A,B 13 14

SEE DIAGRAM  
INCLUDED WITH  
XFRMR FOR  
CONNECTIONS

O1  
PRIMARY  
TRANSFORMER ON  
CRI 00 02 13 14

| REV | REVISION                                | DATE     | ECN      | NAME | CHKD |
|-----|---|----------|----------|------|------|
| B-1 | RELEASE TO PRODUCTION                   | 7/20/11  | 22545    | CHR  | CHR  |
| C-1 | CHANGE TRANSDUCER & FAN LOCATION        | 02/01/13 | PXEC.33  | BFH  | CHR  |
| D-1 | BACNET CARD UPDATE ADD ISOLATION RELAYS | 07/20/15 | PXEC0110 | AJL  | KMD  |
| E   | ADDED FAN WIRING                        | 8/28/18  | PXEC0169 | AKH  | KMD  |

|                 |                                 |                                     |
|-----------------|---------------------------------|-------------------------------------|
| OPTIONAL:       | SINGLE CYLINDER AND SCROLLPUMPS | <input checked="" type="checkbox"/> |
|                 | DOUBLE-CYLINDER PUMPS           | <input type="checkbox"/>            |
| BACNET, WEBSVR, | TRIPLE-CYLINDER PUMPS           | <input type="checkbox"/>            |



CONFIDENTIAL DISCLOSURE:  
This drawing is the property of the CAMPBELL GROUP of the SCOTT FETZER COMPANY and subject to return on demand. Its contents are confidential and must not be copied or submitted to outside parties for use or examination.

| DRAWN BY | CHECKED BY | ENGINEERING APPROVAL |
|----------|------------|----------------------|
| CHR      | BFH        | DMS                  |
| 07/20/11 | 03/12/12   | 03/12/12             |

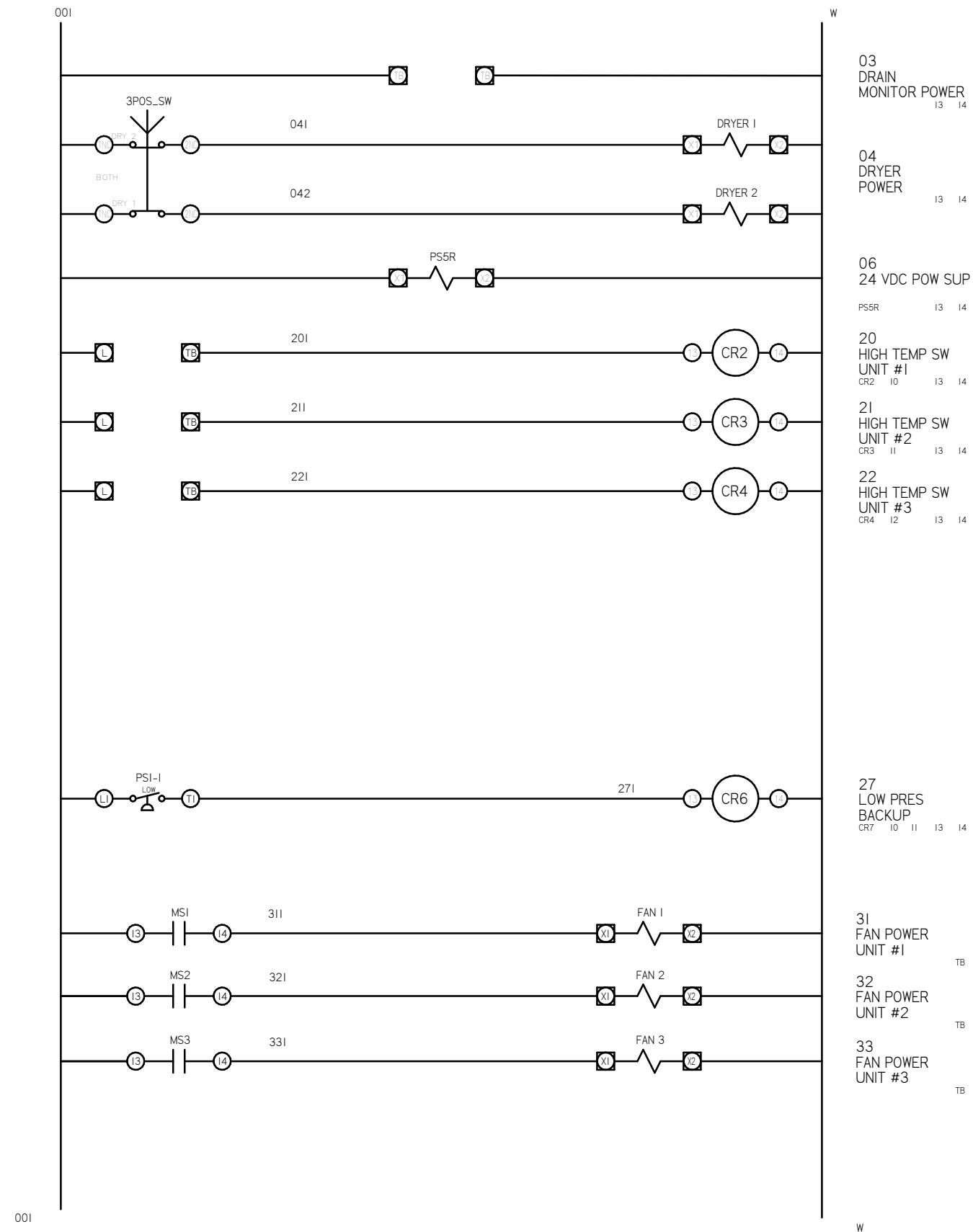
PANEL TYPE  
SCROLL TRIPLEX MEDICAL  
HMI, NFPA

DWG. TYPE WIRING

DWG. NO.  
PXMI-A316 W

|       |     |      |   |
|-------|-----|------|---|
| SHEET | W-1 | SIZE | B |
|-------|-----|------|---|

| REV | REVISION                                | DATE     | ECN      | NAME | CHKD |
|-----|---|----------|----------|------|------|
| B-1 | RELEASE TO PRODUCTION                   | 7/20/11  | 22545    | CHR  | CHR  |
| C-1 | CHANGE TRANSDUCER & FAN LOCATION        | 02/01/13 | PXEC.33  | BFH  | CHR  |
| D-1 | BACNET CARD UPDATE ADD ISOLATION RELAYS | 07/20/15 | PXEC0110 | AJL  | KMD  |
| E   | ADDED FAN WIRING                        | 8/28/18  | PXEC0169 | AKH  | KMD  |



|                  |                                 |                                     |
|------------------|---------------------------------|-------------------------------------|
| OPTIONAL:        | SINGLE CYLINDER AND SCROLLPUMPS | <input checked="" type="checkbox"/> |
|                  | DOUBLE-CYLINDER PUMPS           | <input type="checkbox"/>            |
| BACNET, WEBSRVR. | TRIPLE-CYLINDER PUMPS           | <input type="checkbox"/>            |



CONFIDENTIAL DISCLOSURE  
 This drawing is the property of the CAMPBELL GROUP of the SCOTT FETZER COMPANY and subject to return on demand. Its contents are confidential and must not be copied or submitted to outside parties for use or examination.

| DRAWN BY | CHECKED BY | ENGINEERING APPROVAL |
|----------|------------|----------------------|
| CHR      | BFH        | DMS                  |
| 07/20/11 | 03/12/12   | 03/12/12             |

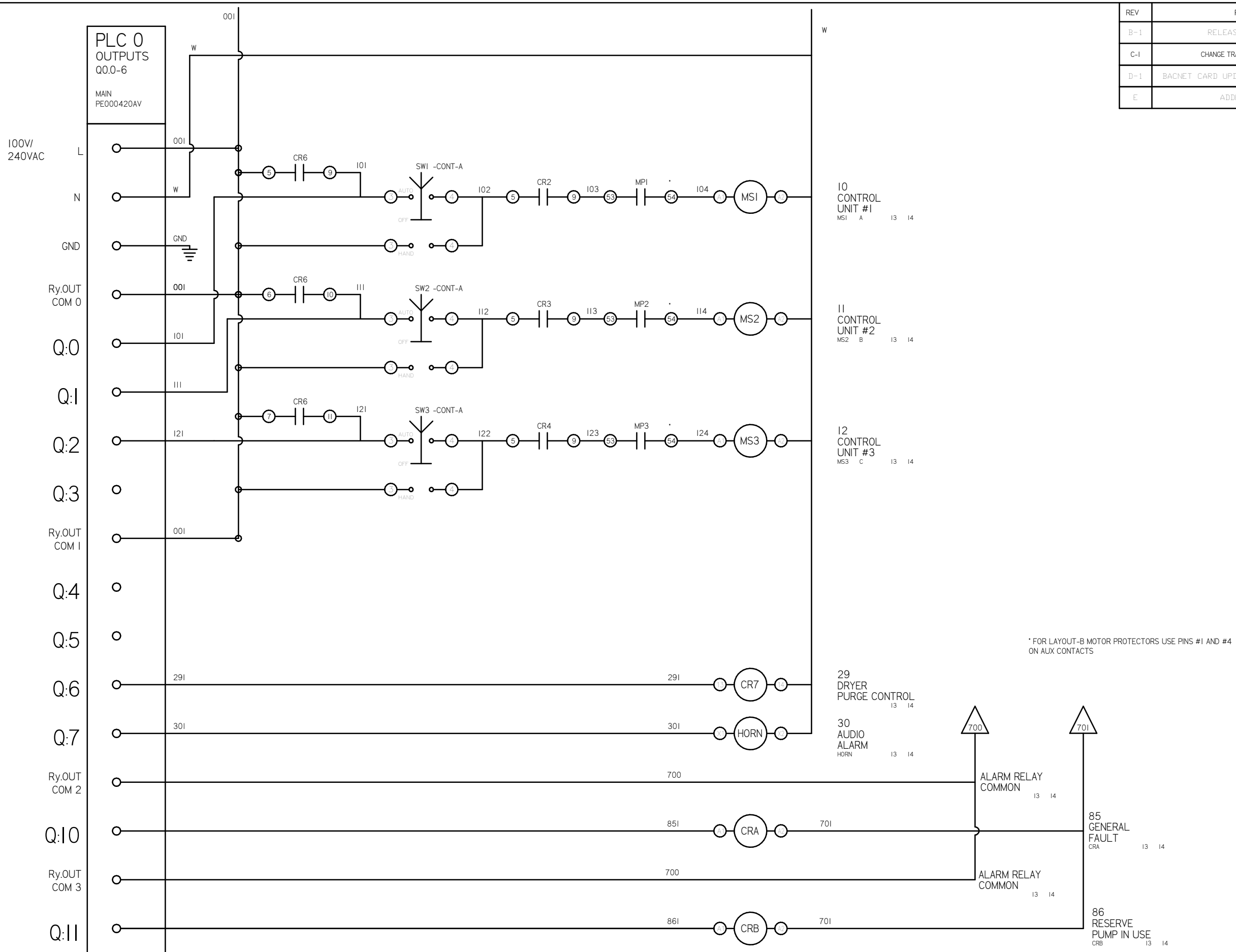
PANEL TYPE  
 SCROLL TRIPLEX MEDICAL  
 HMI, NFPA

DWG. TYPE  
 WIRING

DWG. NO.  
 PXMI-A316 W

|              |           |
|--------------|-----------|
| SHEET<br>W-2 | SIZE<br>B |
|--------------|-----------|

| REV | REVISION                                | DATE     | ECN      | NAME | CHKD |
|-----|---|----------|----------|------|------|
| B-1 | RELEASE TO PRODUCTION                   | 7/20/11  | 22545    | CHR  | CHR  |
| C-1 | CHANGE TRANSDUCER & FAN LOCATION        | 02/01/13 | PXEC-33  | BFH  | CHR  |
| D-1 | BACNET CARD UPDATE ADD ISOLATION RELAYS | 07/20/15 | PXEC0110 | AJL  | KMD  |
| E   | ADDED FAN WIRING                        | 8/28/18  | PXEC0169 | AKH  | KMD  |



\* FOR LAYOUT-B MOTOR PROTECTORS USE PINS #1 AND #4 ON AUX CONTACTS

|                 |                                 |                                     |
|-----------------|---------------------------------|-------------------------------------|
| OPTIONAL:       | SINGLE CYLINDER AND SCROLLPUMPS | <input checked="" type="checkbox"/> |
|                 | DOUBLE-CYLINDER PUMPS           | <input type="checkbox"/>            |
| BACNET, WEBSVR, | TRIPLE-CYLINDER PUMPS           | <input type="checkbox"/>            |



CONFIDENTIAL DISCLOSURE:  
This drawing is the property of the CAMPBELL GROUP of the SCOTT FETZER COMPANY and subject to return on demand. Its contents are confidential and must not be copied or submitted to outside parties for use or examination.

|          |            |                      |
|----------|------------|----------------------|
| DRAWN BY | CHECKED BY | ENGINEERING APPROVAL |
| CHR      | BFH        | DMS                  |
| 07/20/11 | 03/12/12   | 03/12/12             |

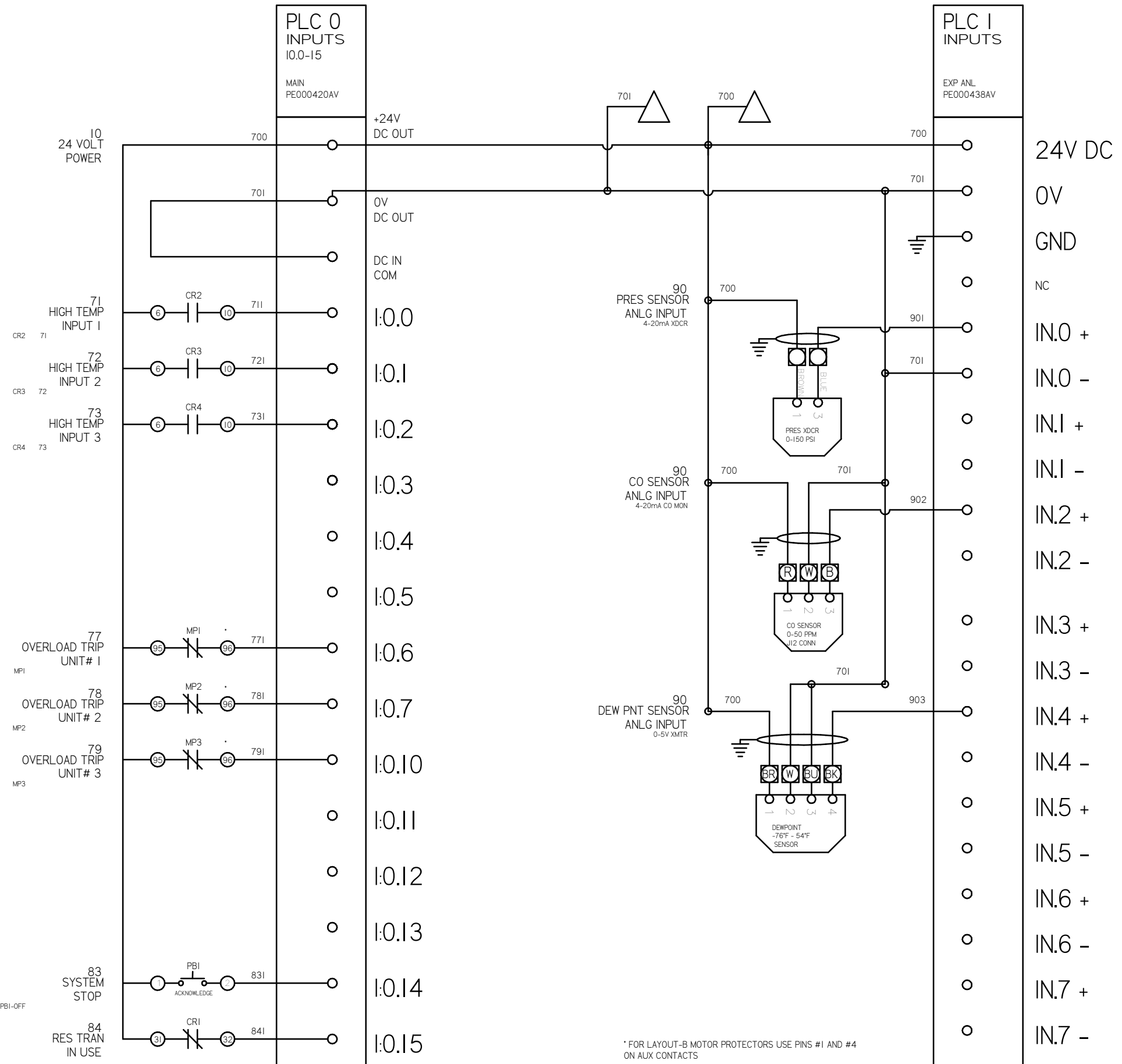
PANEL TYPE  
SCROLL TRIPLEX MEDICAL  
HMI, NFPA

DWG. TYPE  
WIRING

DWG. NO.  
PXMI-A316 W

|       |      |
|-------|------|
| SHEET | SIZE |
| W-3   | B    |

| REV | REVISION                                | DATE     | ECN      | NAME | CHKD |
|-----|---|----------|----------|------|------|
| B-1 | RELEASE TO PRODUCTION                   | 7/20/11  | 22545    | CHR  | CHR  |
| C-1 | CHANGE TRANSDUCER & FAN LOCATION        | 02/01/13 | PXEC_33  | BFH  | CHR  |
| D-1 | BACNET CARD UPDATE ADD ISOLATION RELAYS | 07/20/15 | PXEC0110 | AJL  | KMD  |
| E   | ADDED FAN WIRING                        | 8/28/18  | PXEC0169 | AKH  | KMD  |



|                                       |                                 |                                     |
|---------------------------------------|---------------------------------|-------------------------------------|
| OPTIONAL:                             | SINGLE CYLINDER AND SCROLLPUMPS | <input checked="" type="checkbox"/> |
|                                       | DOUBLE-CYLINDER PUMPS           | <input type="checkbox"/>            |
| BACNET, WEBSVR, TRIPLE-CYLINDER PUMPS |                                 | <input type="checkbox"/>            |



CONFIDENTIAL DISCLOSURE:  
This drawing is the property of the CAMPBELL GROUP of the SCOTT FETZER COMPANY and subject to return on demand. Its contents are confidential and must not be copied or submitted to outside parties for use or examination.

| DRAWN BY | CHECKED BY | ENGINEERING APPROVAL |
|----------|------------|----------------------|
| CHR      | BFH        | DMS                  |
| 07/20/11 | 03/12/12   | 03/12/12             |

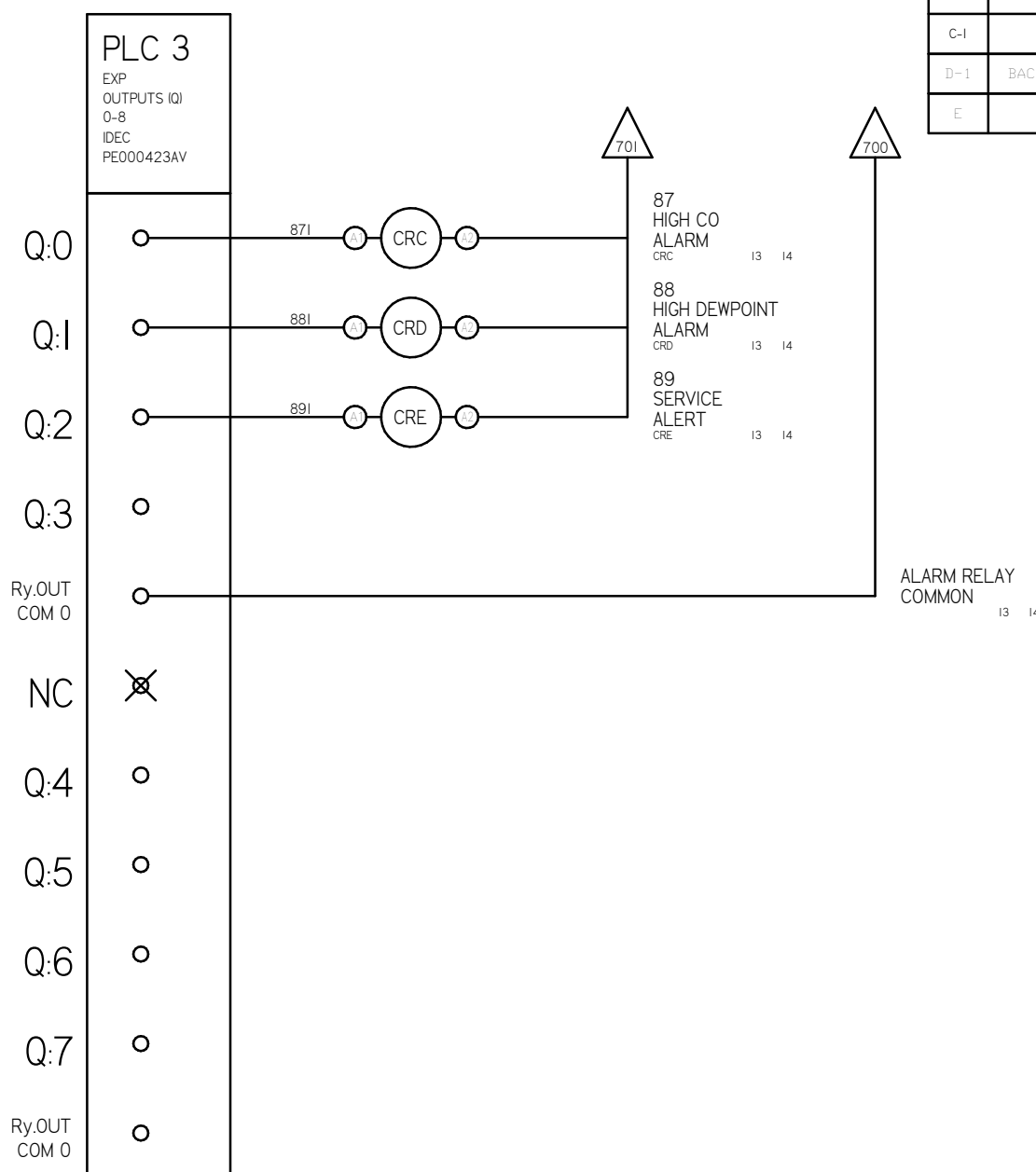
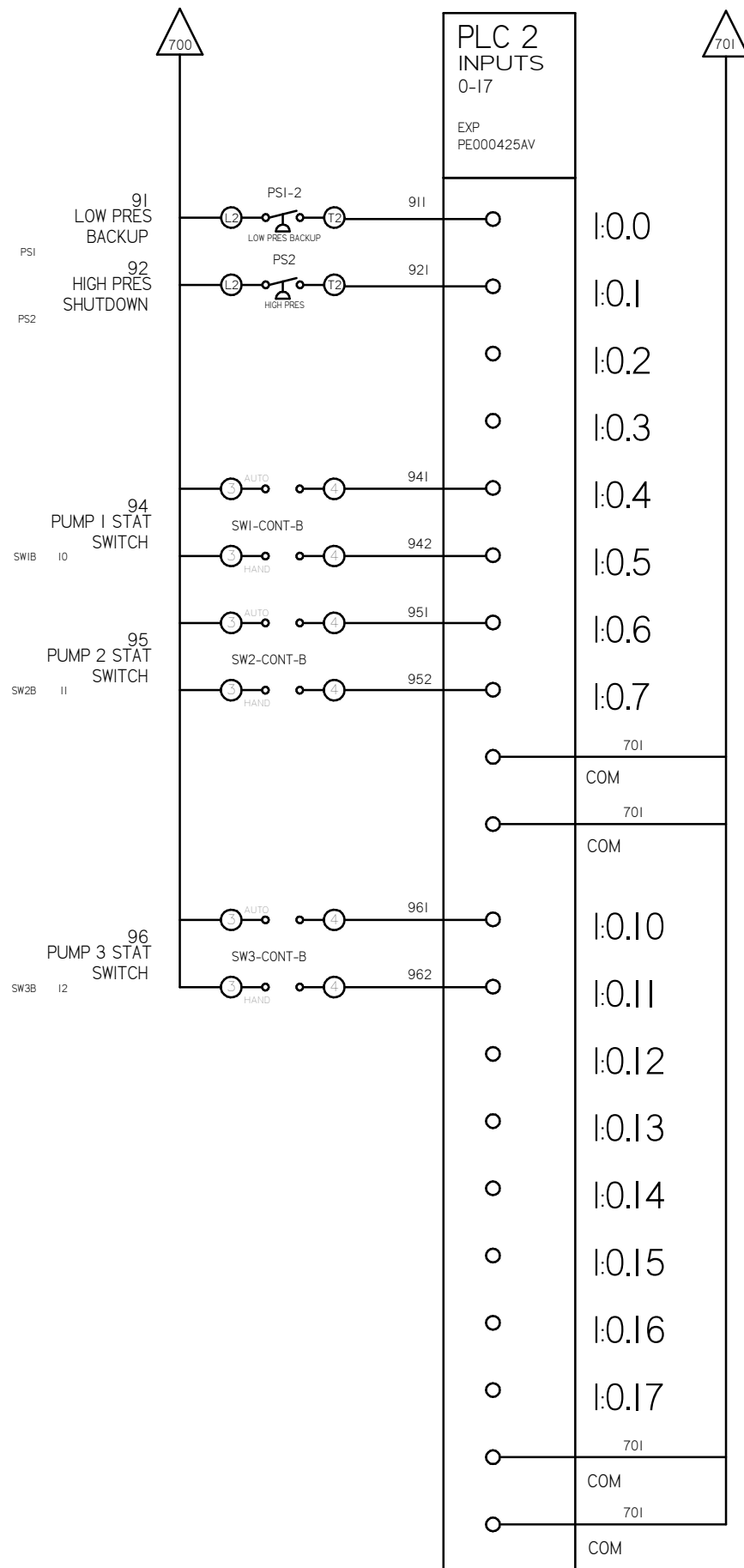
PANEL TYPE  
SCROLL TRIPLEX MEDICAL  
HMI, NFPA

DWG. TYPE WIRING

DWG. NO. PXMI-A316 W

|       |      |
|-------|------|
| SHEET | SIZE |
| W-4   | B    |

| REV | REVISION                                | DATE     | ECN      | NAME | CHKD |
|-----|---|----------|----------|------|------|
| B-1 | RELEASE TO PRODUCTION                   | 7/20/11  | 22545    | CHR  | CHR  |
| C-1 | CHANGE TRANSDUCER & FAN LOCATION        | 02/01/13 | PXEC_33  | BFH  | CHR  |
| D-1 | BACNET CARD UPDATE ADD ISOLATION RELAYS | 07/20/15 | PXEC0110 | AJL  | KMD  |
| E   | ADDED FAN WIRING                        | 8/28/18  | PXEC0169 | AKH  | KMD  |



OPTIONAL:

|                                 |                                     |
|---------------------------------|-------------------------------------|
| SINGLE CYLINDER AND SCROLLPUMPS | <input checked="" type="checkbox"/> |
| DOUBLE-CYLINDER PUMPS           | <input type="checkbox"/>            |
| TRIPLE-CYLINDER PUMPS           | <input type="checkbox"/>            |

BACNET, WEBSVR,



CONFIDENTIAL DISCLOSURE:  
This drawing is the property of the CAMPBELL GROUP of the SCOTT FETZER COMPANY and subject to return on demand. Its contents are confidential and must not be copied or submitted to outside parties for use or examination.

| DRAWN BY | CHECKED BY | ENGINEERING APPROVAL |
|----------|------------|----------------------|
| CHR      | BFH        | DMS                  |
| 07/20/11 | 03/12/12   | 03/12/12             |

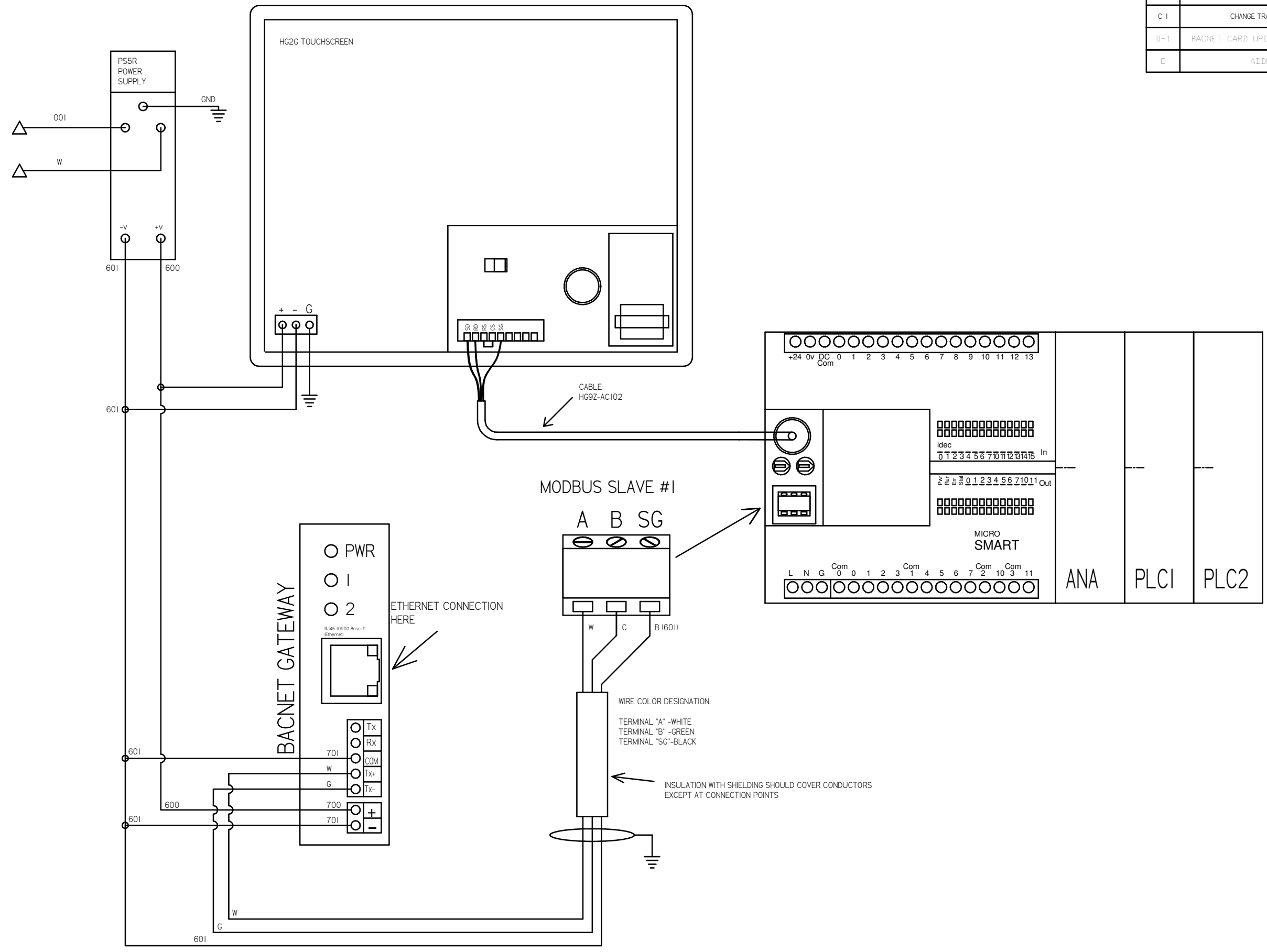
PANEL TYPE  
SCROLL TRIPLEX MEDICAL  
HMI, NFPA

DWG. TYPE  
WIRING

DWG. NO.  
PXMI-A316 W

|              |           |
|--------------|-----------|
| SHEET<br>W-5 | SIZE<br>B |
|--------------|-----------|

| REV | REVISION                                | DATE     | ECN      | NAME | CHKD |
|-----|---|----------|----------|------|------|
| B-1 | RELEASE TO PRODUCTION                   | 7/20/11  | 22545    | CHR  | CHR  |
| C-1 | CHANGE TRANSDUCER & FAN LOCATION        | 02/01/13 | PXEC_33  | BFH  | CHR  |
| D-1 | BACNET CARD UPDATE ADD ISOLATION RELAYS | 07/20/15 | PXEC0110 | AJL  | KMD  |
| E   | ADDED FAN WIRING                        | 8/28/18  | PXEC0169 | AKH  | KMD  |



OPTIONAL:

|                                 |                                     |
|---------------------------------|-------------------------------------|
| SINGLE CYLINDER AND SCROLLPUMPS | <input checked="" type="checkbox"/> |
| DOUBLE-CYLINDER PUMPS           | <input type="checkbox"/>            |
| TRIPLE-CYLINDER PUMPS           | <input type="checkbox"/>            |

BACNET, WEBSVR,



CONFIDENTIAL DISCLOSURE:  
This drawing is the property of the CAMPBELL GROUP of the SCOTT FETZER COMPANY and subject to return on demand. Its contents are confidential and must not be copied or submitted to outside parties for use or examination.

| DRAWN BY | CHECKED BY | ENGINEERING APPROVAL |
|----------|------------|----------------------|
| CHR      | BFH        | DMS                  |
| 07/20/11 | 03/12/12   | 03/12/12             |

PANEL TYPE  
SCROLL TRIPLEX MEDICAL  
HMI, NFPA

DWG. TYPE  
WIRING

DWG. NO.  
PXMI-A316 W

SHEET  
W-6

SIZE  
B

MODBUS SLAVE #1

A B SG

W G B (601)

WIRE COLOR DESIGNATION:

TERMINAL "A" -WHITE  
TERMINAL "B" -GREEN  
TERMINAL "SG"-BLACK

INSULATION WITH SHIELDING SHOULD COVER CONDUCTORS EXCEPT AT CONNECTION POINTS

BACNET GATEWAY

ETHERNET CONNECTION HERE

HG2G TOUCHSCREEN

PS5R POWER SUPPLY

601 600

601

601

601

601

GND

-V

+V

+

-

G

PWR

1

2

701

W

G

700

+

701

-

W

G

CABLE HG9Z-AC102

+24 0v DC 0 1 2 3 4 5 6 7 8 9 10 11 12 13  
Com

idec

0 1 2 3 4 5 6 7 8 9 10 11 12 13 14 15 In

0 1 2 3 4 5 6 7 10 11 Out

0 1 2 3 4 5 6 7 8 9 10 11 12 13 14 15

MICRO SMART

L N G Com 0 0 1 2 3 4 5 6 7 2 Com 10 3 11

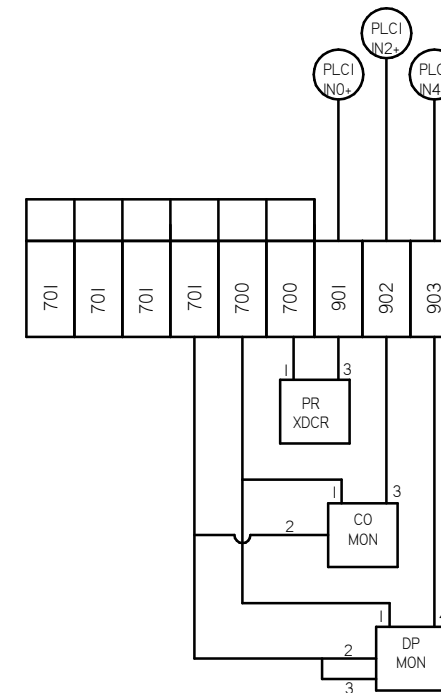
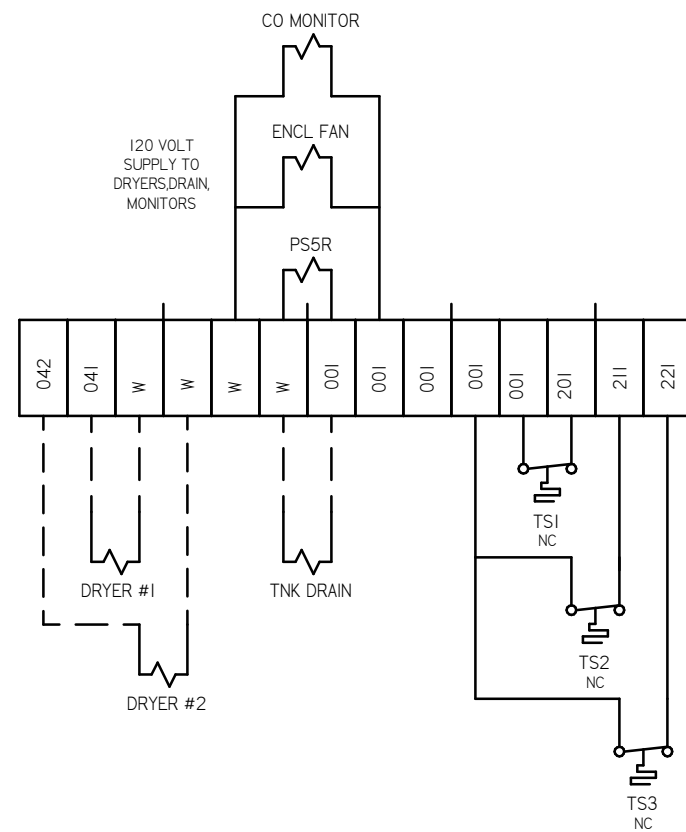
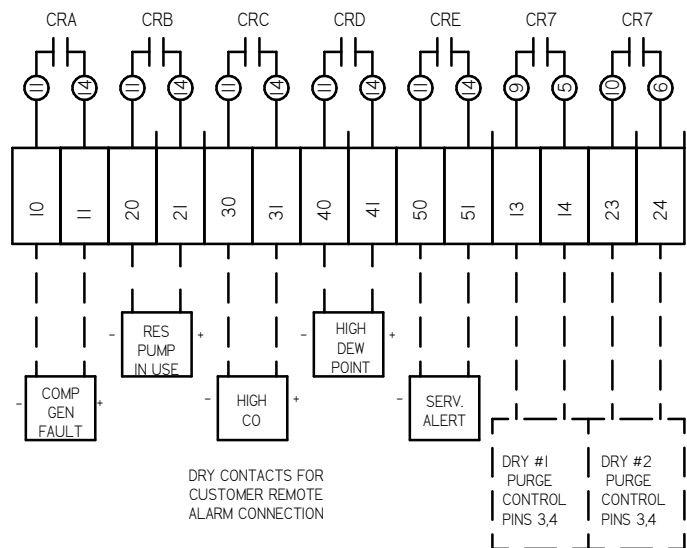
ANA PLCI PLC2

| REV | REVISION                                | DATE     | ECN      | NAME | CHKD |
|-----|---|----------|----------|------|------|
| B-1 | RELEASE TO PRODUCTION                   | 7/20/11  | 22545    | CHR  | CHR  |
| C-1 | CHANGE TRANSDUCER & FAN LOCATION        | 02/01/13 | PXEC_33  | BFH  | CHR  |
| D-1 | BACNET CARD UPDATE ADD ISOLATION RELAYS | 07/20/15 | PXEC0110 | AJL  | KMD  |
| E   | ADDED FAN WIRING                        | 8/28/18  | PXEC0169 | AKH  | KMD  |

**ASSEMBLY NOTE:**

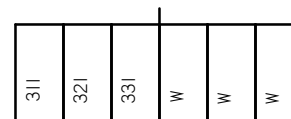
USE SHIELDED CABLE BETWEEN TERMINAL BLOCKS AND PLC. CONNECT GROUND LOOPS TO GROUND BLOCK. CABLE IS NOT TO BE ROUTED IN PROXIMITY (2") OR ROUTED IN WIRE TRAY OF ANY 3-PHASE POWER CONDUCTORS.

**TERMINAL BLOCKS**



**FIELD WIRING NOTES:**

1. PANEL GROUND MUST BE CONNECTED TO EARTH GROUND.
2. TRANSFORMER IS SIZED FOR LOADS SHOWN ON DRAWING ONLY.
3. FIELD WIRING INDICATED BY -----. WIRE TO BE COPPER RATED AT 75° C.
4. ALL ALARM DRY CONTACTS ARE CLOSED FOR NORMAL OPERATION AND OPEN IN ALARM.
5. DRY CONTACT RATING: 30V DC/2A (resistive load, inductive load L/R = 7 ms)
6. USE CAT-5 CABLE W/RJ45 CONNECTOR FOR ETHERNET CONNECTION TO COMMUNICATION NETWORK OR BAS SYSTEM



**FAN WIRING**  
SEE RUNGS 31-33 FOR DETAILS

|                 |                                  |                                     |
|-----------------|----------------------------------|-------------------------------------|
| OPTIONAL:       | SINGLE CYLINDER AND SCROLL PUMPS | <input checked="" type="checkbox"/> |
|                 | DOUBLE-CYLINDER PUMPS            | <input type="checkbox"/>            |
| BACNET, WEBSVR, | TRIPLE-CYLINDER PUMPS            | <input type="checkbox"/>            |



**CONFIDENTIAL DISCLOSURE:**  
This drawing is the property of the CAMPBELL GROUP of the SCOTT FETZER COMPANY and subject to return on demand. Its contents are confidential and must not be copied or submitted to outside parties for use or examination.

| DRAWN BY | CHECKED BY | ENGINEERING APPROVAL |
|----------|------------|----------------------|
| CHR      | BFH        | DMS                  |
| 07/20/11 | 03/12/12   | 03/12/12             |

PANEL TYPE  
SCROLL TRIPLEX MEDICAL  
HMI, NFPA

DWG. TYPE  
WIRING

DWG. NO.  
PXMI-A316 W

|              |           |
|--------------|-----------|
| SHEET<br>W-7 | SIZE<br>B |
|--------------|-----------|

| TABLE 1           | P/N  | MOTOR FULL LOAD AMPS | TOTAL FULL LOAD AMPS | NON-TIME DELAY FUSE | TIME DELAY FUSE | INVERSE-TIME CIRCUIT BREAKER |
|-------------------|------|----------------------|----------------------|---------------------|-----------------|------------------------------|
| 208V (3Ø)         | 72AJ | 19.2                 | 59.6                 | 100                 | 80              | 90                           |
|                   | A2AJ | 26.5                 | 81.5                 | 150                 | 110             | 125                          |
| 230V (3Ø)         | 73AJ | 17.3                 | 53.9                 | 90                  | 70              | 90                           |
|                   | A3AJ | 24                   | 74                   | 125                 | 100             | 125                          |
| 460V (3Ø)         | 74AJ | 8.67                 | 28.01                | 50                  | 35              | 45                           |
|                   | A4AJ | 12                   | 38                   | 70                  | 50              | 60                           |
| 380V (3Ø)<br>50HZ | 78AJ | 10.7                 | 34.1                 | 60                  | 45              | 60                           |
|                   | A8AJ | 14.5                 | 45.5                 | 80                  | 60              | 70                           |

| REV | REVISION              | DATE    | ECN      | NAME | CHKD |
|-----|-----------------------|---------|----------|------|------|
| B-1 | RELEASE TO PRODUCTION | 7/20/11 | 22545    | CHR  | CHR  |
| E   | ADDED FAN WIRING      | 8/28/18 | PXEC0165 | AKH  | KMD  |

NOTES:

- RECOMMENDED TIGHTENING TORQUES FOR WIRE TERMINALS:  
208-575 VOLT POWER 35 POUND INCHES  
120 VOLT POWER AND CONTROL VOLTAGE 15 POUND INCHES
- PANEL GROUND MUST BE CONNECTED TO EARTH GROUND
- INSTALLER TO PROVIDE MAIN DISCONNECTING DEVICE WITH SHORT CIRCUIT PROTECTION FOR THIS ELECTRICAL ASSEMBLY. SEE TABLE I .
- ALL WIRES MUST BE LABELED ON BOTH ENDS
- TRANSFORMER IS SIZED FOR LOADS SHOWN ON DRAWING ONLY. DO NOT CONNECT ANY OTHER DEVICES
- △ -INDICATES A DRAWING WIRE CONNECTION TO ANOTHER PAGE.

FIELD WIRING NOTES ON PAGE W-7.

| WIRE TYPE TABLE |              |           |         |
|-----------------|--------------|-----------|---------|
| VOLTAGE         | WIRE NUMBERS | GAUGE     | COLOR   |
| 120 VAC         | 01-699       | 16-18 AWG | RED/BLK |
| 0VAC            | W            | 16-18 AWG | WHT/BLK |
| 24VDC           | 700-799      | 16-18 AWG | PURPLE  |
| 0VDC            | 701          | 16-18 AWG | PURPLE  |
| GND             | -            | VARIES    | GREEN   |
| CUSTOMER SUPPLY | 01-99        | 16 AWG    | YELLOW  |

| TABLE 2 - CONTROL CIRCUIT PROTECTION |            |          |          |          |
|--------------------------------------|------------|----------|----------|----------|
| FUSE TYPE                            | 208 VOLT   | 230 VOLT | 460 VOLT | 575 VOLT |
| FU1,2A<br>FU1,2B                     | FNQR<br>6A | 5A       | 5A       | 4A       |
| FU3A,B                               | FNM<br>7A  | 7A       | 7A       | 7A       |

OPTIONAL:

CONFIDENTIAL DISCLOSURE:  
This drawing is the property of the CAMPBELL GROUP of the SCOTT FETZER COMPANY and subject to return on demand. Its contents are confidential and must not be copied or submitted to outside parties for use or examination.

| DRAWN BY | CHECKED BY | ENGINEERING APPROVAL |
|----------|------------|----------------------|
| CHR      | BFH        | DMS                  |
| 07/20/11 | 03/12/12   | 03/12/12             |

|            |                                     |
|------------|-------------------------------------|
| PANEL TYPE | SCROLL TRIPLEX MEDICAL<br>HMI, NFPA |
| DWG. TYPE  | DATA                                |
| DWG. NO.   | PXMI-A316 W                         |

| SHEET | SIZE |
|-------|------|
| D-1   | B    |

### SEQUENCE OF OPERATIONS

During normal operation the PBMI controller will signal the Lead compressor to run when pressure drops below lead cut-in set-point and stop when the pressure reaches the lead cut-out set-point. Lead alternation to the next pump, will occur with each lead run signal or every 10-minutes (which ever happens first). If demand cannot be satisfied by the lead pump, the lag pump(s) will start and stop based upon the lag cut-in and cut-out set-points. When more than one pump is running, lead alternation will occur when the lowest cut-out set-point is satisfied, or after 10-minutes (which ever happens first). The HOA switch's place the pump in the following modes: Hand-turns pump on to run continuous. Off-disables pump from running. Auto-places pump in the "ready mode" and will start and stop based on sequence described above.

All plex configurations include a hardwired Back-up pressure switch circuit should a control failure occur. This circuit will call all pumps on and off based on the reserve pressure switch set-points.

Expandable systems include all control devices, operators, and programming for the maximum number of pumps (or plex) required. To expand the system: navigate to the "service screen" and enter the number of pumps.

Additional information and descriptions can be accessed through the HMI "service info" screen by pressing Sequence of Operations button.

\* - USE LAYOUT B



| REV | REVISION              | DATE    | ECN      | NAME | CHKD |
|-----|-----------------------|---------|----------|------|------|
| B-1 | RELEASE TO PRODUCTION | 7/20/11 | 22545    | CHR  | CHR  |
| E   | ADDED FAN WIRING      | 8/28/18 | PXEC0169 | AKH  | KMD  |

| P/N    | MOTOR FULL LOAD AMPS | TOTAL FULL LOAD AMPS | NON-TIME DELAY FUSE | TIME DELAY FUSE | INVERSE-TIME CIRCUIT BREAKER |
|--------|----------------------|----------------------|---------------------|-----------------|------------------------------|
| 02AJ   | 4.1                  | 14.3                 | 25                  | 20              | 25                           |
| 12AJ   | 4.5                  | 15.5                 | 25                  | 20              | 25                           |
| 22AJ   | 6                    | 20                   | 35                  | 25              | 30                           |
| 32AJ   | 8.5                  | 27.5                 | 45                  | 35              | 45                           |
| 52AJ   | 14                   | 44                   | 80                  | 60              | 70                           |
| 72AJ   | 20.5                 | 63.5                 | 110                 | 80              | 100                          |
| A2AJ * | 27.4                 | 84.2                 | 150                 | 125             | 150                          |
| F2AJ * | 41.1                 | 125.3                | 225                 | 175             | 200                          |
|        |                      |                      |                     |                 |                              |
| 03AJ   | 3.6                  | 12.8                 | 20                  | 20              | 20                           |
| 13AJ   | 4.4                  | 15.2                 | 25                  | 20              | 25                           |
| 23AJ   | 5.8                  | 19.4                 | 35                  | 25              | 30                           |
| 33AJ   | 7.7                  | 25.1                 | 45                  | 35              | 40                           |
| 53AJ   | 12.7                 | 40.1                 | 70                  | 50              | 60                           |
| 73AJ   | 18.5                 | 57.5                 | 100                 | 80              | 90                           |
| A3AJ   | 24.8                 | 76.4                 | 150                 | 100             | 125                          |
| F3AJ * | 37.2                 | 113.6                | 200                 | 150             | 175                          |
|        |                      |                      |                     |                 |                              |
| 04AJ   | 1.8                  | 7.4                  | 15                  | 10              | 15                           |
| 14AJ   | 2.2                  | 8.6                  | 15                  | 10              | 15                           |
| 24AJ   | 2.9                  | 10.7                 | 20                  | 15              | 20                           |
| 34AJ   | 3.9                  | 13.7                 | 25                  | 20              | 25                           |
| 54AJ   | 6.3                  | 20.9                 | 35                  | 30              | 35                           |
| 74AJ   | 9.3                  | 29.9                 | 50                  | 40              | 45                           |
| A4AJ   | 12.4                 | 39.2                 | 70                  | 50              | 60                           |
| F4AJ   | 18.6                 | 57.8                 | 100                 | 80              | 90                           |
|        |                      |                      |                     |                 |                              |
| 08AJ   |                      |                      |                     |                 |                              |
| 18AJ   |                      |                      |                     |                 |                              |
| 28AJ   | 3.4                  | 12.2                 | 20                  | 15              | 20                           |
| 38AJ   | 4.6                  | 15.8                 | 25                  | 20              | 25                           |
| 58AJ   | 7.7                  | 25.1                 | 45                  | 35              | 40                           |
| 78AJ   | 11.1                 | 35.3                 | 60                  | 45              | 60                           |
| A8AJ   | 14.9                 | 46.7                 | 80                  | 60              | 70                           |
| F8AJ   | 22.1                 | 68.3                 | 125                 | 90              | 125                          |
|        |                      |                      |                     |                 |                              |
| 07AJ   | 1.1                  | 5.3                  | 10                  | 10              | 10                           |
| 17AJ   |                      |                      |                     |                 |                              |
| 27AJ   | 2.3                  | 8.9                  | 15                  | 15              | 15                           |
| 37AJ   | 3.1                  | 11.3                 | 20                  | 15              | 20                           |
| 57AJ   | 5.1                  | 17.3                 | 30                  | 25              | 30                           |
| 77AJ   | 6.9                  | 22.7                 | 40                  | 30              | 35                           |
| A7AJ   | 9.9                  | 31.7                 | 60                  | 40              | 50                           |
| F7AJ   | 14.9                 | 46.7                 | 80                  | 60              | 70                           |

NOTES:

- RECOMMENDED TIGHTENING TORQUES FOR WIRE TERMINALS:  
208-575 VOLT POWER 35 POUND INCHES  
120 VOLT POWER AND CONTROL VOLTAGE 15 POUND INCHES
- PANEL GROUND MUST BE CONNECTED TO EARTH GROUND
- INSTALLER TO PROVIDE MAIN DISCONNECTING DEVICE WITH SHORT CIRCUIT PROTECTION FOR THIS ELECTRICAL ASSEMBLY. SEE TABLE I .
- ALL WIRES MUST BE LABELED ON BOTH ENDS
- TRANSFORMER IS SIZED FOR LOADS SHOWN ON DRAWING ONLY. DO NOT CONNECT ANY OTHER DEVICES
- △ -INDICATES A DRAWING WIRE CONNECTION TO ANOTHER PAGE.

FIELD WIRING NOTES ON PAGE W-7.

| WIRE TYPE TABLE |              |           |         |
|-----------------|--------------|-----------|---------|
| VOLTAGE         | WIRE NUMBERS | GAUGE     | COLOR   |
| 120 VAC         | 01-699       | 16-18 AWG | RED/BLK |
| 0VAC            | W            | 16-18 AWG | WHT/BLK |
| 24VDC           | 700-799      | 16-18 AWG | PURPLE  |
| 0VDC            | 701          | 16-18 AWG | PURPLE  |
| GND             | -            | VARIES    | GREEN   |
| CUSTOMER SUPPLY | 01-99        | 16 AWG    | YELLOW  |

| TABLE 2 - CONTROL CIRCUIT PROTECTION |      |          |          |          |          |
|--------------------------------------|------|----------|----------|----------|----------|
| FUSE TYPE                            |      | 208 VOLT | 230 VOLT | 460 VOLT | 575 VOLT |
| FU1,2A                               | FNQR | 6A       | 5A       | 5A       | 4A       |
| FU1,2B                               |      |          |          |          |          |
| FU3A,B                               | FNM  | 7A       | 7A       | 7A       | 7A       |

OPTIONAL:



CONFIDENTIAL DISCLOSURE:  
This drawing is the property of the CAMPBELL GROUP of the SCOTT FETZER COMPANY and subject to return on demand. Its contents are confidential and must not be copied or submitted to outside parties for use or examination.

| DRAWN BY | CHECKED BY | ENGINEERING APPROVAL |
|----------|------------|----------------------|
| CHR      | BFH        | DMS                  |
| 07/20/11 | 03/12/12   | 03/12/12             |

PANEL TYPE  
SCROLL TRIPLEX MEDICAL  
HMI, NFPA

DWG. TYPE DATA

DWG. NO.  
PXMI-A316 W

SHEET D-1 SIZE B

### SEQUENCE OF OPERATIONS

During normal operation the PBMI controller will signal the Lead compressor to run when pressure drops below lead cut-in set-point and stop when the pressure reaches the lead cut-out set-point. Lead alternation to the next pump, will occur with each lead run signal or every 10-minutes (which ever happens first). If demand cannot be satisfied by the lead pump, the lag pump(s) will start and stop based upon the lag cut-in and cut-out set-points. When more than one pump is running, lead alternation will occur when the lowest cut-out set-point is satisfied, or after 10-minutes (which ever happens first). The HOA switch's place the pump in the following modes: Hand-turns pump on to run continuous. Off-disables pump from running. Auto-places pump in the "ready mode" and will start and stop based on sequence described above.

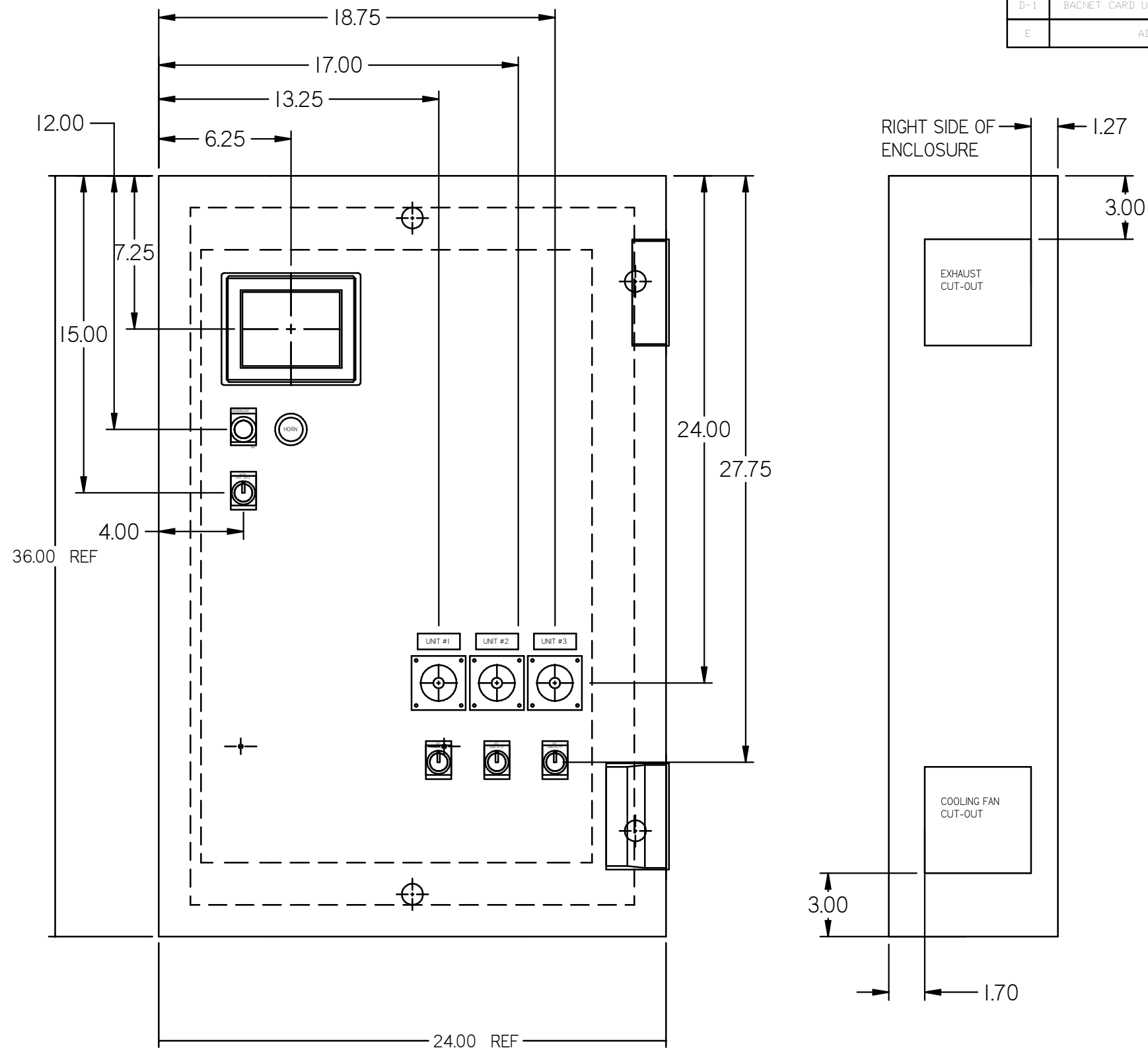
All plex configurations include a hardwired Back-up pressure switch circuit should a control failure occur. This circuit will call all pumps on and off based on the reserve pressure switch set-points.

Expandable systems include all control devices, operators, and programming for the maximum number of pumps (or plex) required. To expand the system: navigate to the "service screen" and enter the number of pumps.


Additional information and descriptions can be accessed through the HMI "service info" screen by pressing Sequence of Operations button.

\* - USE LAYOUT B

| REV | REVISION                                | DATE     | ECN      | NAME | CHKD |
|-----|---|----------|----------|------|------|
| B-1 | RELEASE TO PRODUCTION                   | 7/20/11  | 22545    | CHR  | CHR  |
| C-1 | CHANGE TRANSDUCER & FAN LOCATION        | 02/01/13 | PXEC_33  | BFH  | CHR  |
| D-1 | BACNET CARD UPDATE ADD ISOLATION RELAYS | 07/20/15 | PXEC0110 | AJL  | KMD  |
| E   | ADDED FAN WIRING                        | 8/28/18  | PXEC0169 | AKH  | KMD  |



OPTIONAL:



CONFIDENTIAL DISCLOSURE:  
This drawing is the property of the CAMPBELL GROUP of the SCOTT FETZER COMPANY and subject to return on demand. Its contents are confidential and must not be copied or submitted to outside parties for use or examination.

|          |            |                      |
|----------|------------|----------------------|
| DRAWN BY | CHECKED BY | ENGINEERING APPROVAL |
| CHR      | BFH        | DMS                  |
| 07/20/11 | 03/12/12   | 03/12/12             |

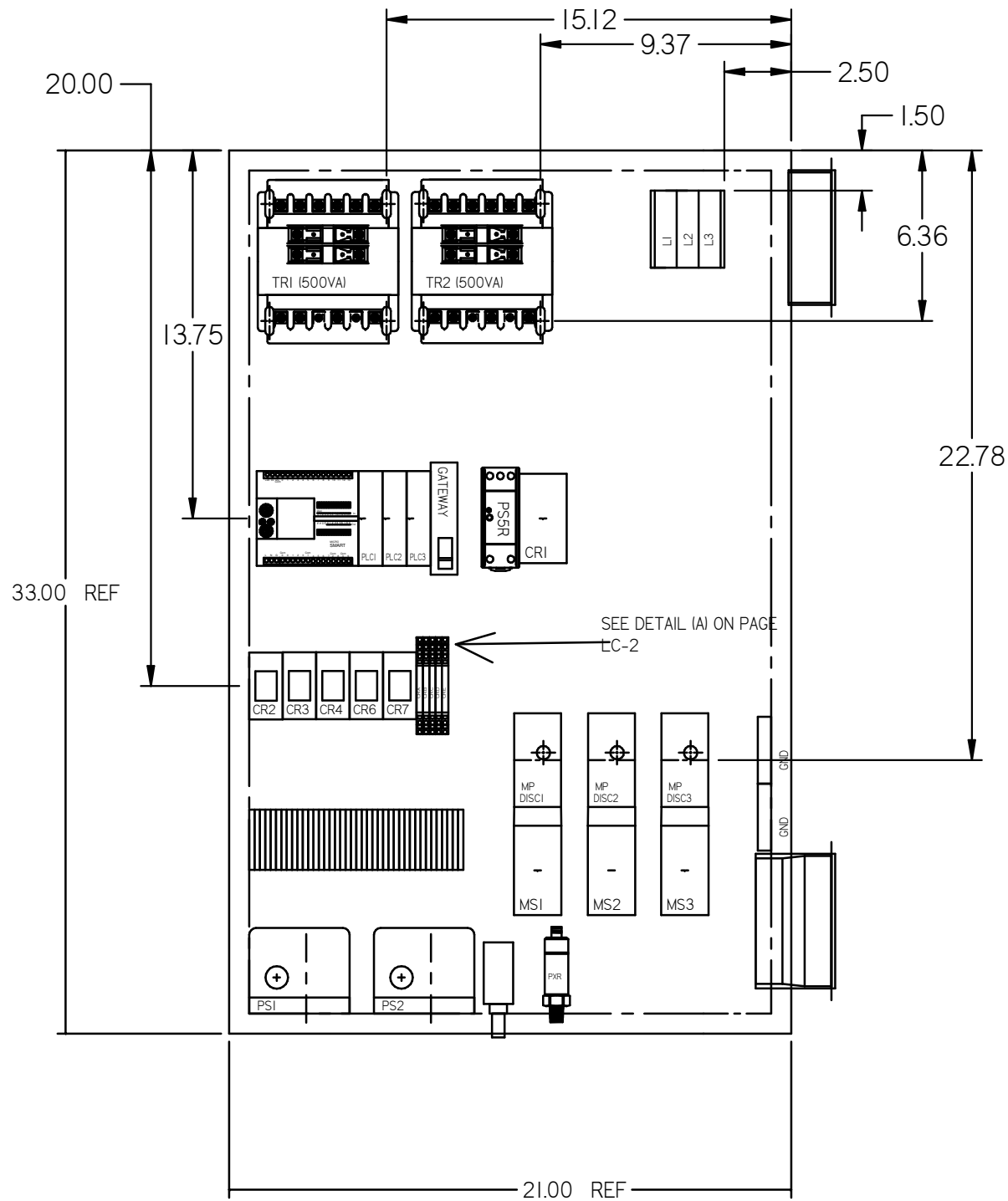
PANEL TYPE  
SCROLL TRIPLEX MEDICAL  
HMI, NFPA

DWG. TYPE  
WIRING

DWG. NO.  
PXMI-A316 W


|       |      |
|-------|------|
| SHEET | SIZE |
| L-1   | B    |

| REV | REVISION                                | DATE     | ECN      | NAME | CHKD |
|-----|---|----------|----------|------|------|
| B-1 | RELEASE TO PRODUCTION                   | 7/20/11  | 22545    | CHR  | CHR  |
| C-1 | CHANGE TRANSDUCER & FAN LOCATION        | 02/01/13 | PXEC.33  | BFH  | CHR  |
| D-1 | BACNET CARD UPDATE ADD ISOLATION RELAYS | 07/20/15 | PXEC0110 | AJL  | KMD  |
| E   | ADDED FAN WIRING                        | 8/28/18  | PXEC0165 | AKH  | KMD  |



|     |     |     |     |     |   |
|-----|-----|-----|-----|-----|---|
| □   | □   | □   | □   | □   | □ |
| □   | □   | □   | □   | □   | □ |
| ○   | ○   | ○   | ○   | ○   | ○ |
| ○   | ○   | ○   | ○   | ○   | ○ |
| ○   | ○   | ○   | ○   | ○   | ○ |
| ○   | ○   | ○   | ○   | ○   | ○ |
| ○   | ○   | ○   | ○   | ○   | ○ |
| ○   | ○   | ○   | ○   | ○   | ○ |
| ○   | ○   | ○   | ○   | ○   | ○ |
| ○   | ○   | ○   | ○   | ○   | ○ |
| ○   | ○   | ○   | ○   | ○   | ○ |
| CRA | CRB | CRC | CRD | CRE |   |

OPTIONAL:



**CONFIDENTIAL DISCLOSURE:**  
This drawing is the property of the CAMPBELL GROUP of the SCOTT FETZER COMPANY and subject to return on demand. Its contents are confidential and must not be copied or submitted to outside parties for use or examination.

| DRAWN BY | CHECKED BY | ENGINEERING APPROVAL |
|----------|------------|----------------------|
| CHR      | BFH        | DMS                  |

|          |          |          |
|----------|----------|----------|
| 07/20/11 | 03/12/12 | 03/12/12 |
|----------|----------|----------|

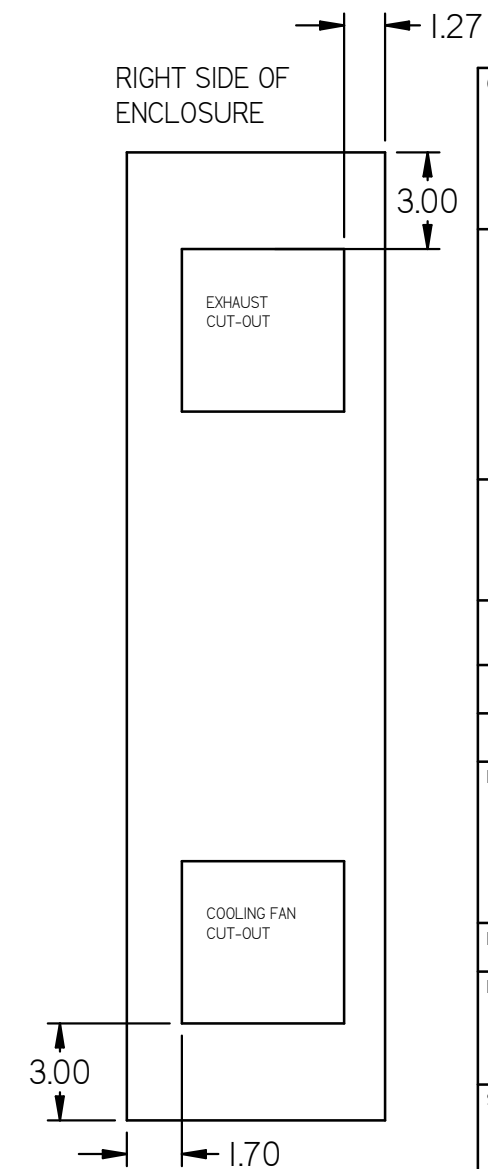
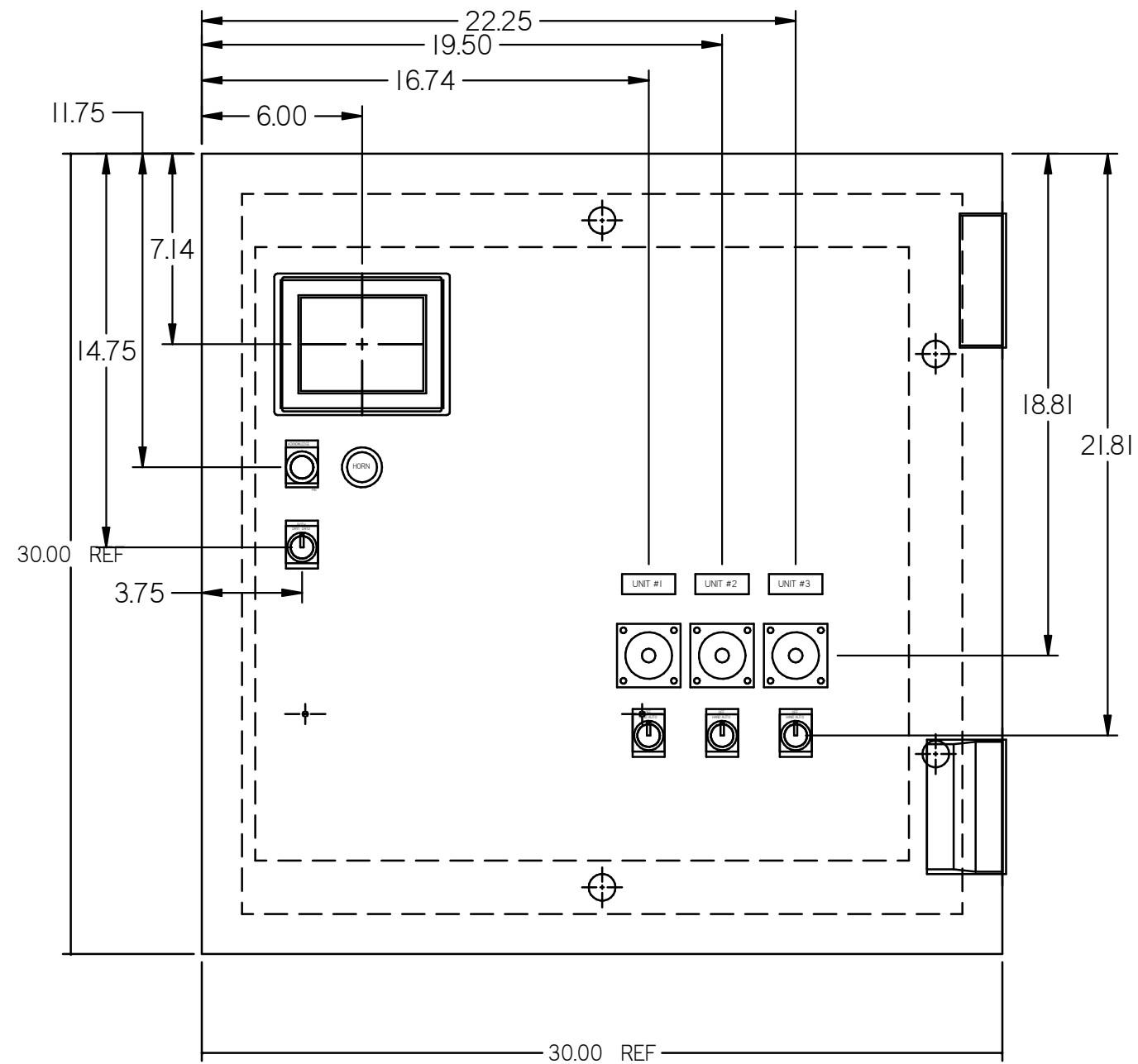
PANEL TYPE  
SCROLL TRIPLEX MEDICAL  
HMI, NFPA

DWG. TYPE          WIRING

DWG. NO.  
**PXMI-A316 W**

| SHEET | SIZE |
|-------|------|
| L-2   | B    |

| REV | REVISION                                | DATE     | ECN      | NAME | CHKD |
|-----|---|----------|----------|------|------|
| B-1 | RELEASE TO PRODUCTION                   | 7/20/11  | 22545    | CHR  | CHR  |
| C-1 | CHANGE TRANSDUCER & FAN LOCATION        | 02/01/13 | PXEC_33  | BFH  | CHR  |
| D-1 | BACNET CARD UPDATE ADD ISOLATION RELAYS | 07/20/15 | PXEC0110 | AJL  | KMD  |
| E   | ADDED FAN WIRING                        | 8/28/18  | PXEC0165 | AKH  | KMD  |



|                 |                                 |                                     |
|-----------------|---------------------------------|-------------------------------------|
| OPTIONAL:       | SINGLE CYLINDER AND SCROLLPUMPS | <input checked="" type="checkbox"/> |
|                 | DOUBLE-CYLINDER PUMPS           | <input type="checkbox"/>            |
| BACNET, WEBSVR, | TRIPLE-CYLINDER PUMPS           | <input type="checkbox"/>            |



CONFIDENTIAL DISCLOSURE  
This drawing is the property of the CAMPBELL GROUP of the SCOTT FETZER COMPANY and subject to return on demand. Its contents are confidential and must not be copied or submitted to outside parties for use or examination.

| DRAWN BY | CHECKED BY | ENGINEERING APPROVAL |
|----------|------------|----------------------|
| CHR      | BFH        | DMS                  |
| 07/20/11 | 03/12/12   | 03/12/12             |

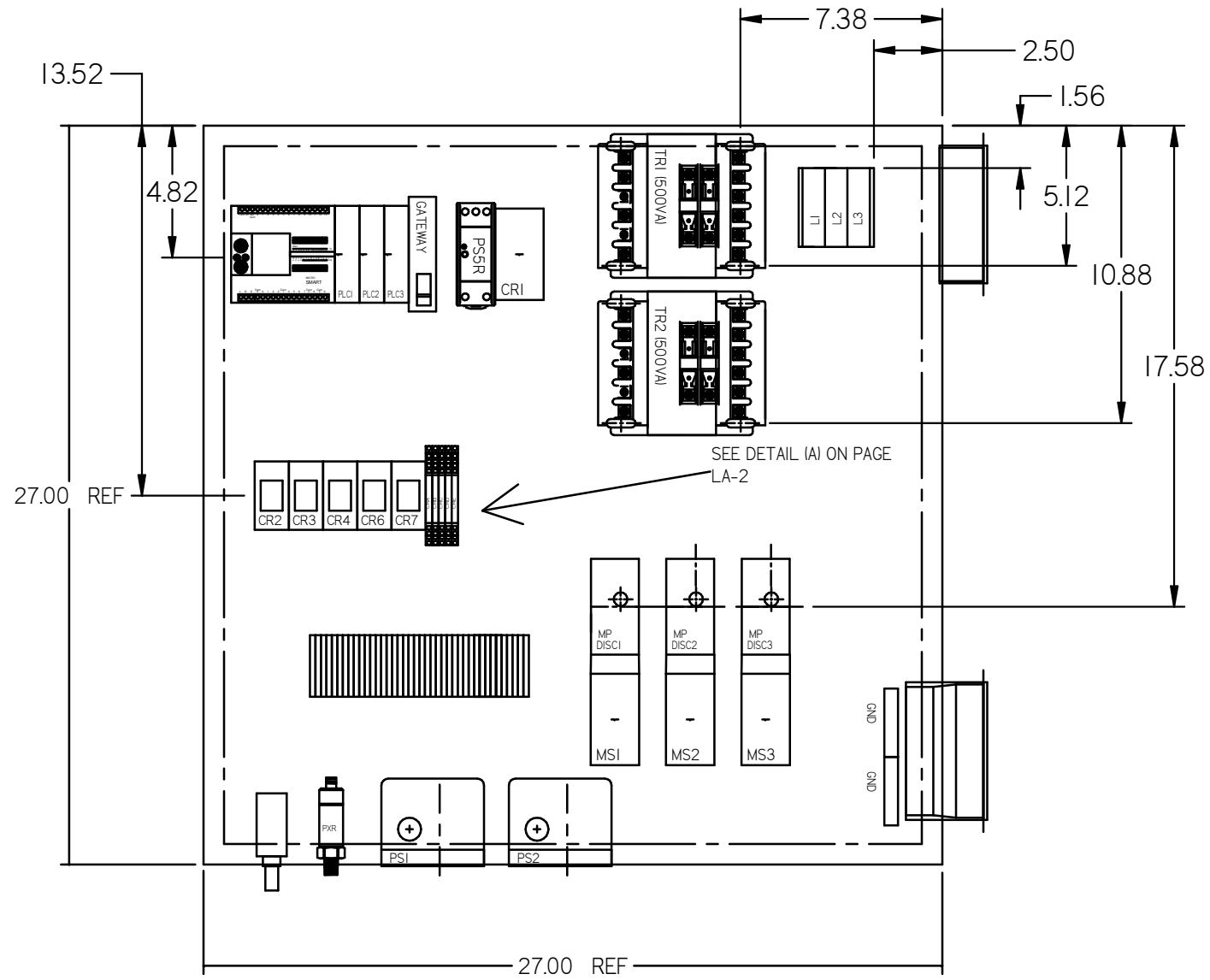
PANEL TYPE  
SCROLL TRIPLEX MEDICAL  
HMI, NFPA

DWG. TYPE WIRING

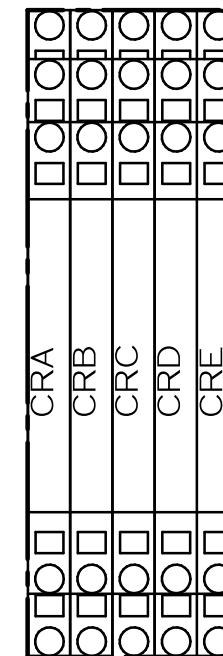
DWG. NO.  
PXMI-A316 W

| SHEET | SIZE |
|-------|------|
| L-1   | B    |

| REV | REVISION                                | DATE     | ECN      | NAME | CHKD |
|-----|---|----------|----------|------|------|
| B-1 | RELEASE TO PRODUCTION                   | 7/20/11  | 22545    | CHR  | CHR  |
| C-1 | CHANGE TRANSDUCER & FAN LOCATION        | 02/01/13 | PXEC.33  | BFH  | CHR  |
| D-1 | BACNET CARD UPDATE ADD ISOLATION RELAYS | 07/20/15 | PXEC0110 | AJL  | KMD  |
| E   | ADDED FAN WIRING                        | 8/28/18  | PXEC0169 | AKH  | KMD  |



DETAIL (A)



|                 |                                 |                                     |
|-----------------|---------------------------------|-------------------------------------|
| OPTIONAL:       | SINGLE CYLINDER AND SCROLLPUMPS | <input checked="" type="checkbox"/> |
|                 | DOUBLE-CYLINDER PUMPS           | <input type="checkbox"/>            |
| BACNET, WEBSVR, | TRIPLE-CYLINDER PUMPS           | <input type="checkbox"/>            |



CONFIDENTIAL DISCLOSURE:  
This drawing is the property of the CAMPBELL GROUP of the SCOTT FETZER COMPANY and subject to return on demand. Its contents are confidential and must not be copied or submitted to outside parties for use or examination.

|          |            |                      |
|----------|------------|----------------------|
| DRAWN BY | CHECKED BY | ENGINEERING APPROVAL |
| CHR      | BFH        | DMS                  |
| 07/20/11 | 03/12/12   | 03/12/12             |

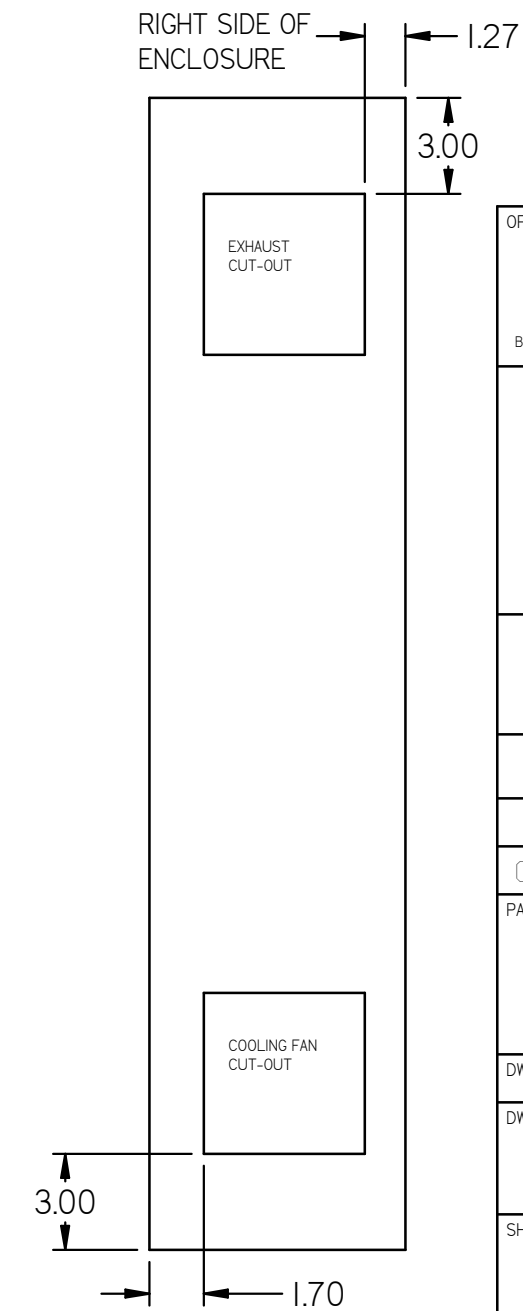
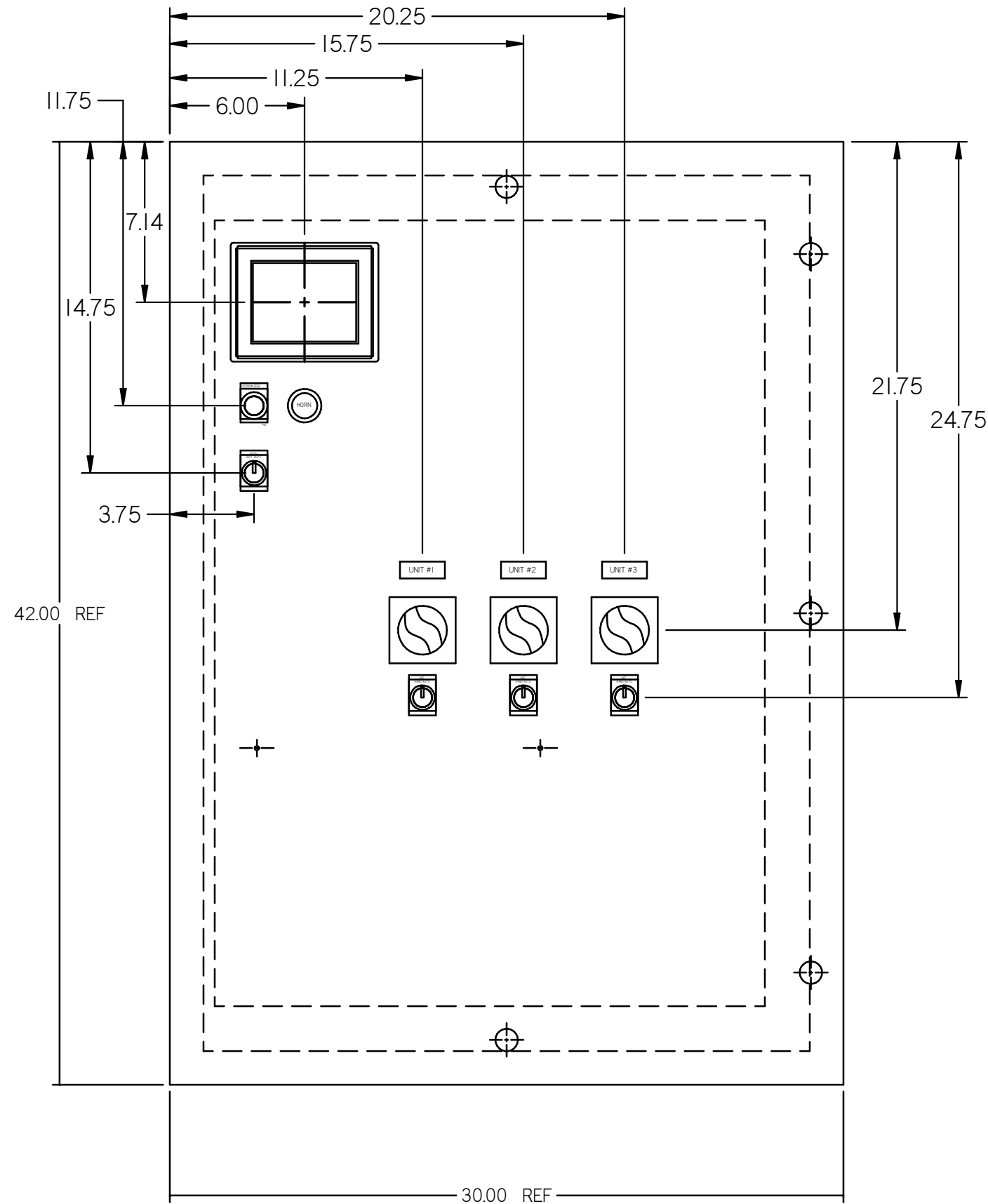
PANEL TYPE  
SCROLL TRIPLEX MEDICAL  
HMI, NFPA

DWG. TYPE  
WIRING

DWG. NO.  
PXMI-A316 W

|       |      |
|-------|------|
| SHEET | SIZE |
| L-2   | B    |

| REV | REVISION                                | DATE     | ECN      | NAME | CHKD |
|-----|---|----------|----------|------|------|
| B-1 | RELEASE TO PRODUCTION                   | 7/20/11  | 22545    | CHR  | CHR  |
| C-1 | CHANGE TRANSDUCER & FAN LOCATION        | 02/01/13 | PXEC_33  | BFH  | CHR  |
| D-1 | BACNET CARD UPDATE ADD ISOLATION RELAYS | 07/20/15 | PXEC0110 | AJL  | KMD  |
| E   | ADDED FAN WIRING                        | 8/28/18  | PXEC0165 | AKH  | KMD  |



- OPTIONAL:
- SINGLE CYLINDER AND SCROLLPUMPS
  - DOUBLE-CYLINDER PUMPS
  - TRIPLE-CYLINDER PUMPS
- BACNET, WEBSVR,



CONFIDENTIAL DISCLOSURE:  
This drawing is the property of the CAMPBELL GROUP of the SCOTT FETZER COMPANY and subject to return on demand. Its contents are confidential and must not be copied or submitted to outside parties for use or examination.

| DRAWN BY | CHECKED BY | ENGINEERING APPROVAL |
|----------|------------|----------------------|
| CHR      | BFH        | DMS                  |
| 07/20/11 | 03/12/12   | 03/12/12             |

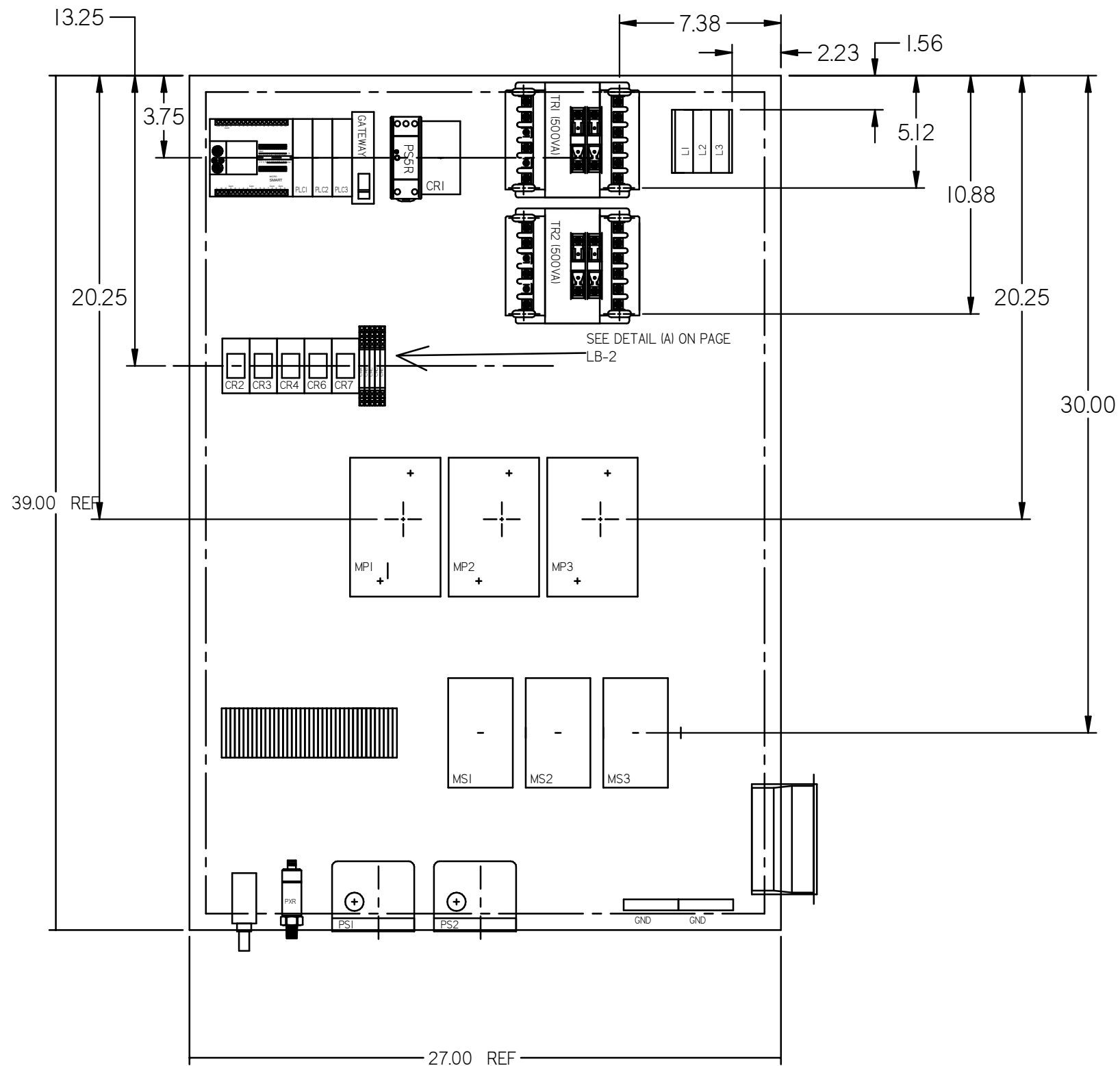
PANEL TYPE  
SCROLL TRIPLEX MEDICAL  
HMI, NFPA

DWG. TYPE  
WIRING

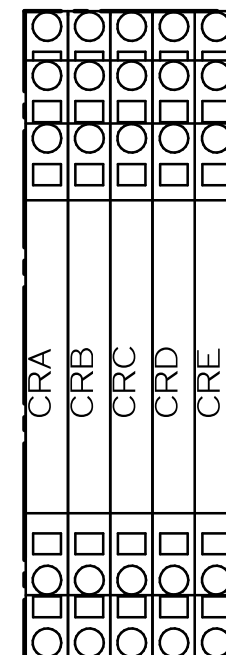
DWG. NO.  
PXMI-A316 W

| SHEET | SIZE |
|-------|------|
| L-1   | B    |

| REV | REVISION                                | DATE     | ECN      | NAME | CHKD |
|-----|---|----------|----------|------|------|
| B-1 | RELEASE TO PRODUCTION                   | 7/20/11  | 22545    | CHR  | CHR  |
| C-1 | CHANGE TRANSDUCER & FAN LOCATION        | 02/01/13 | PXEC_33  | BFH  | CHR  |
| D-1 | BACNET CARD UPDATE ADD ISOLATION RELAYS | 07/20/15 | PXEC0110 | AJL  | KMD  |
| E   | ADDED FAN WIRING                        | 8/28/18  | PXEC0169 | AKH  | KMD  |



DETAIL (A)



|                 |                                 |                                     |
|-----------------|---------------------------------|-------------------------------------|
| OPTIONAL:       | SINGLE CYLINDER AND SCROLLPUMPS | <input checked="" type="checkbox"/> |
|                 | DOUBLE-CYLINDER PUMPS           | <input type="checkbox"/>            |
| BACNET, WEBSRVR | TRIPLE-CYLINDER PUMPS           | <input type="checkbox"/>            |



CONFIDENTIAL DISCLOSURE:  
This drawing is the property of the CAMPBELL GROUP of the SCOTT FETZER COMPANY and subject to return on demand. Its contents are confidential and must not be copied or submitted to outside parties for use or examination.

| DRAWN BY | CHECKED BY | ENGINEERING APPROVAL |
|----------|------------|----------------------|
| CHR      | BFH        | DMS                  |
| 07/20/11 | 03/12/12   | 03/12/12             |

|                                  |  |  |
|----------------------------------|--|--|
| PANEL TYPE                       |  |  |
| SCROLL TRIPLEX MEDICAL HMI, NFPA |  |  |
| DWG. TYPE WIRING                 |  |  |
| DWG. NO. PXMI-A316 W             |  |  |

|       |      |
|-------|------|
| SHEET | SIZE |
| L-2   | B    |