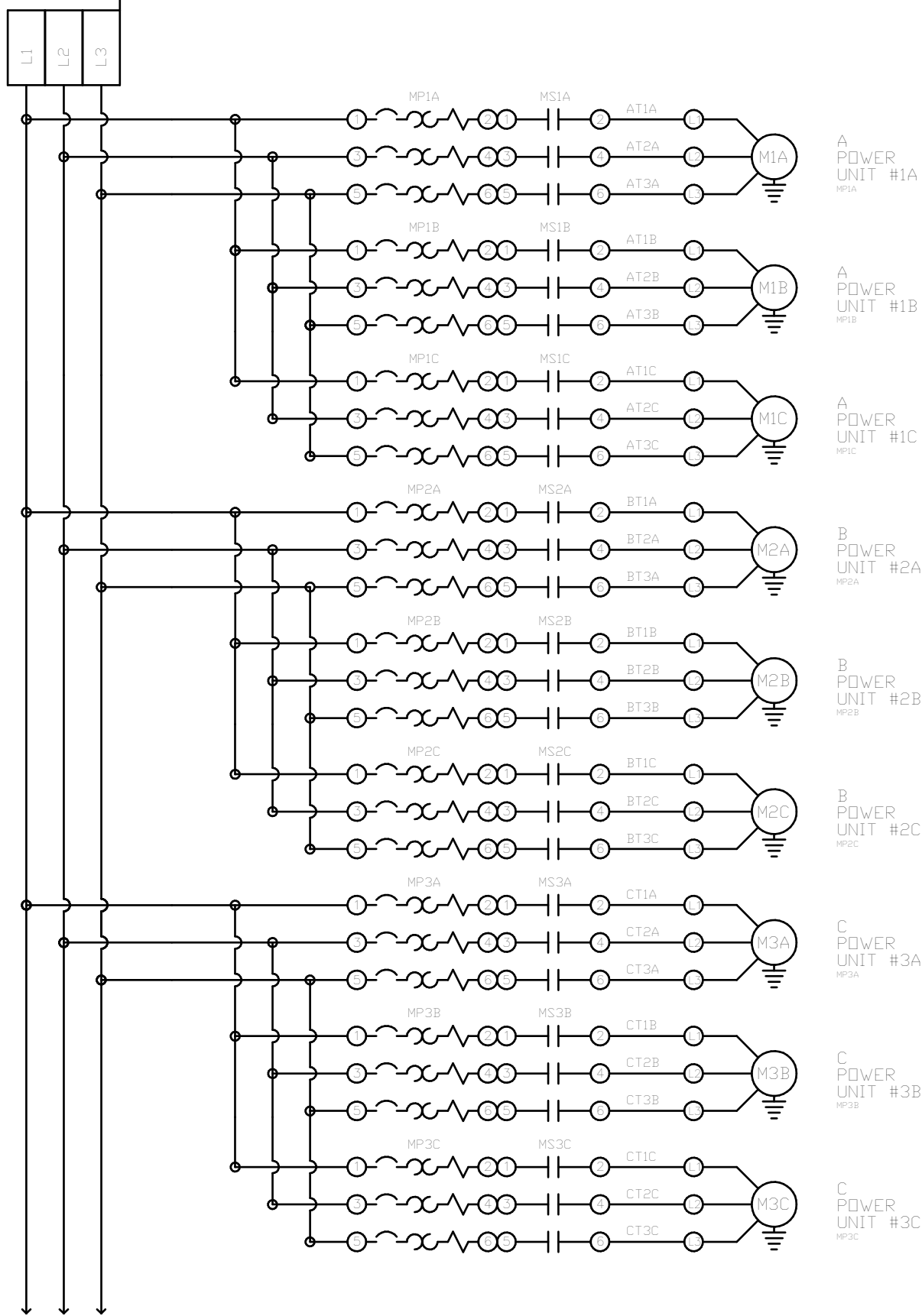


SEE TABLE 1



SEE TABLE 1 FOR BRANCH
CIRCUIT PROTECTION

REV	REVISION	DATE	ECN	NAME	CHKD
B-1	RELEASE TO PRODUCTION	11/06/12	22722	CHR	DMS
C-1	CHANGE TRANSDUCER & FAN LOCATION	02/01/13	PXEC_33	BFH	CHR
D-1	BACNET CARD UPDATE ADD ISOLATION RELAYS	07/20/15	PXEC0110	AJL	KMD
E	ADDED FAN WIRING	9/07/18	PXEC0229	JPG	AH

OPTIONAL:	SINGLE CYLINDER AND SCROLLPUMPS	<input checked="" type="checkbox"/>
	DOUBLE-CYLINDER PUMPS	<input type="checkbox"/>
BACNET, WEBSRVR,	TRIPLE-CYLINDER PUMPS	<input type="checkbox"/>



CONFIDENTIAL DISCLOSURE:
This drawing is the property of the CAMPBELL GROUP of the SCOTT FETZER COMPANY and subject to return on demand. Its contents are confidential and must not be copied or submitted to outside parties for use

DRAWN BY	CHECKED BY	ENGINEERING APPROVAL
CHR	DMS	DMS
06/04/12	11/09/12	11/09/12

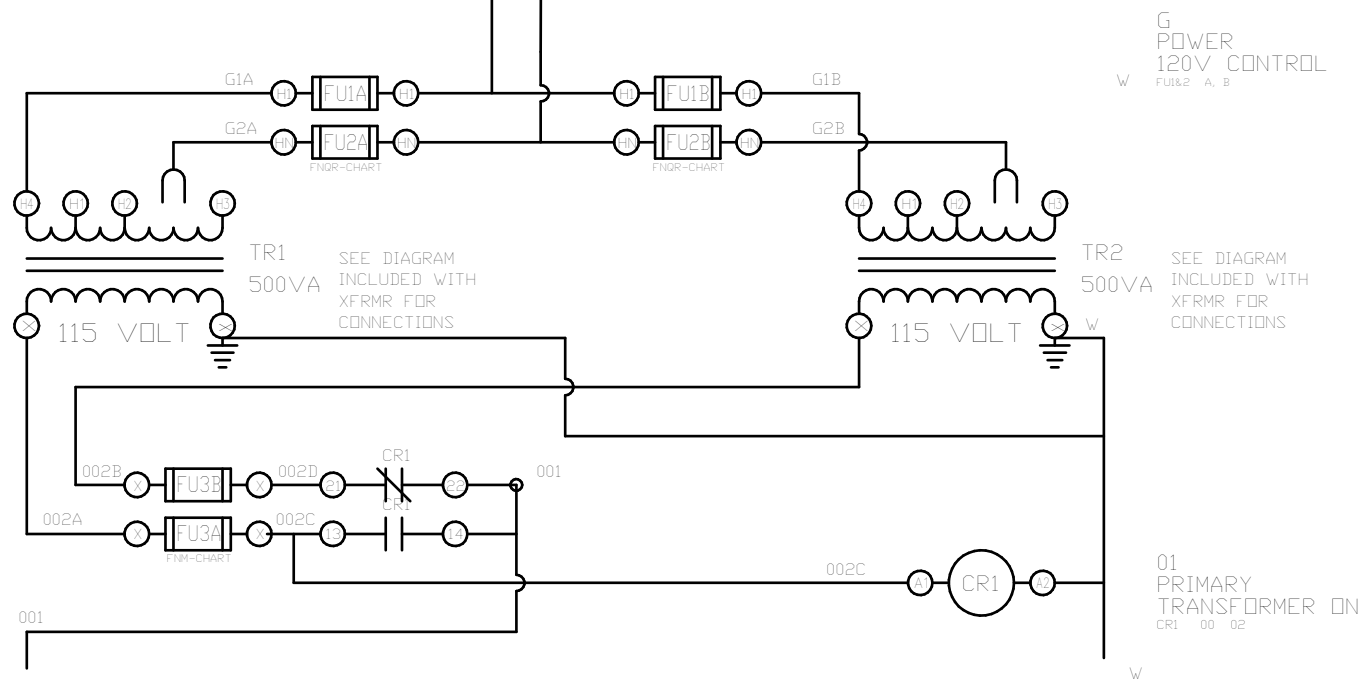
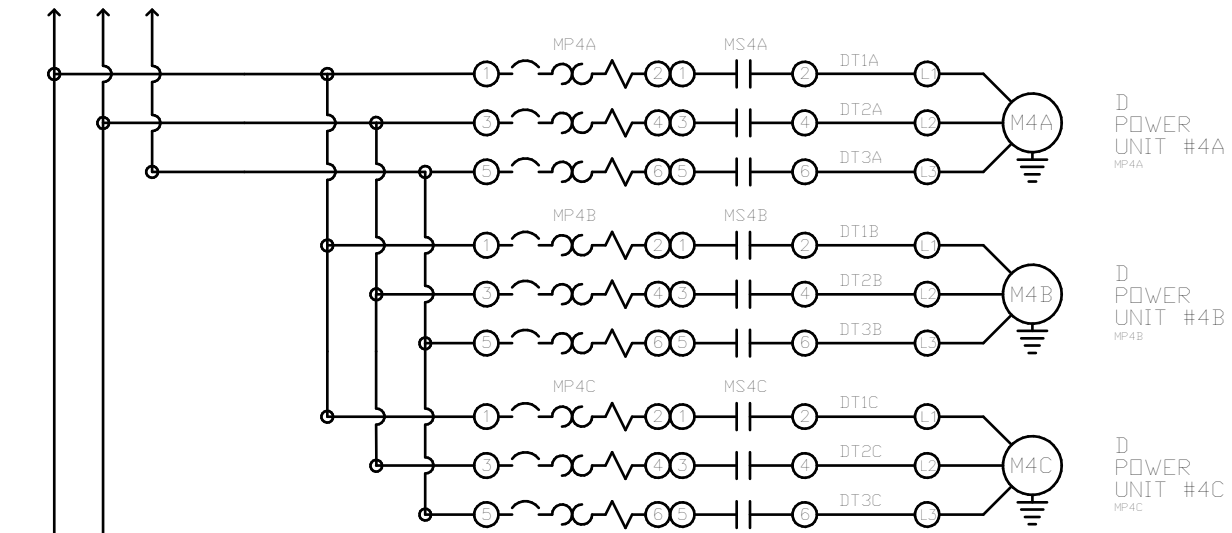
PANEL TYPE
QUAD MEDICAL COMP
HMI, NFPA

DWG. TYPE WIRING

DWG. NO.
PXMI-S416F W

SHEET W-1	SIZE B
--------------	-----------

REV	REVISION	DATE	ECN	NAME	CHKD
B-1	RELEASE TO PRODUCTION	11/06/12	22722	CHR	DMS
C-1	CHANGE TRANSDUCER & FAN LOCATION	02/01/13	PXEC_33	BFH	CHR
D-1	BACNET CARD UPDATE ADD ISOLATION RELAYS	07/20/15	PXEC0110	AJL	KMD
E	ADDED FAN WIRING	9/07/18	PXEC0229	JPG	AH



OPTIONAL:	SINGLE CYLINDER AND SCROLLPUMPS	<input checked="" type="checkbox"/>
	DOUBLE-CYLINDER PUMPS	<input type="checkbox"/>
BACNET, WEBSVR,	TRIPLE-CYLINDER PUMPS	<input type="checkbox"/>



CONFIDENTIAL DISCLOSURE:
This drawing is the property of the CAMPBELL GROUP of the SCOTT FETZER COMPANY and subject to return on demand. Its contents are confidential and must not be copied or submitted to outside parties for use

DRAWN BY	CHECKED BY	ENGINEERING APPROVAL
CHR	DMS	DMS
06/04/12	11/09/12	11/09/12

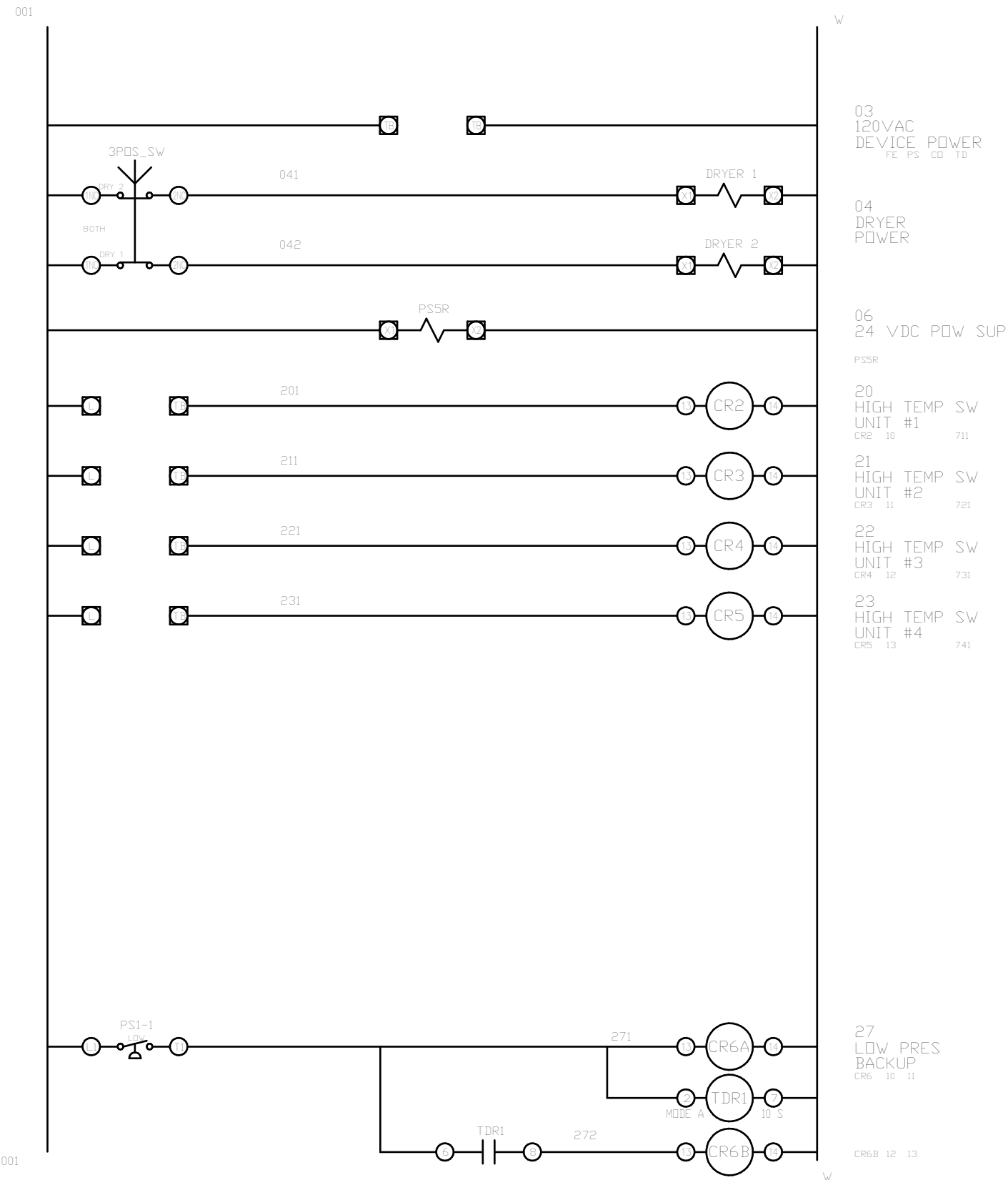
PANEL TYPE
QUAD MEDICAL COMP
HMI, NFPA

DWG. TYPE
WIRING

DWG. NO.
PXMI-S416F W

SHEET W-2	SIZE B
--------------	-----------

REV	REVISION	DATE	ECN	NAME	CHKD
B-1	RELEASE TO PRODUCTION	11/06/12	22722	CHR	DMS
C-1	CHANGE TRANSDUCER & FAN LOCATION	02/01/13	PXEC_33	BFH	CHR
D-1	BACNET CARD UPDATE ADD ISOLATION RELAYS	07/20/15	PXEC0110	AJL	KMD
E	ADDED FAN WIRING	9/07/18	PXEC0225	JPG	AH



OPTIONAL:	SINGLE CYLINDER AND SCROLLPUMPS	<input checked="" type="checkbox"/>
	DOUBLE-CYLINDER PUMPS	<input type="checkbox"/>
BACNET, WEBSRVR,	TRIPLE-CYLINDER PUMPS	<input type="checkbox"/>



CONFIDENTIAL DISCLOSURE:
This drawing is the property of the CAMPBELL GROUP of the SCOTT FETZER COMPANY and subject to return on demand. Its contents are confidential and must not be copied or submitted to outside parties for use

DRAWN BY	CHECKED BY	ENGINEERING APPROVAL
CHR	DMS	DMS
06/04/12	11/09/12	11/09/12

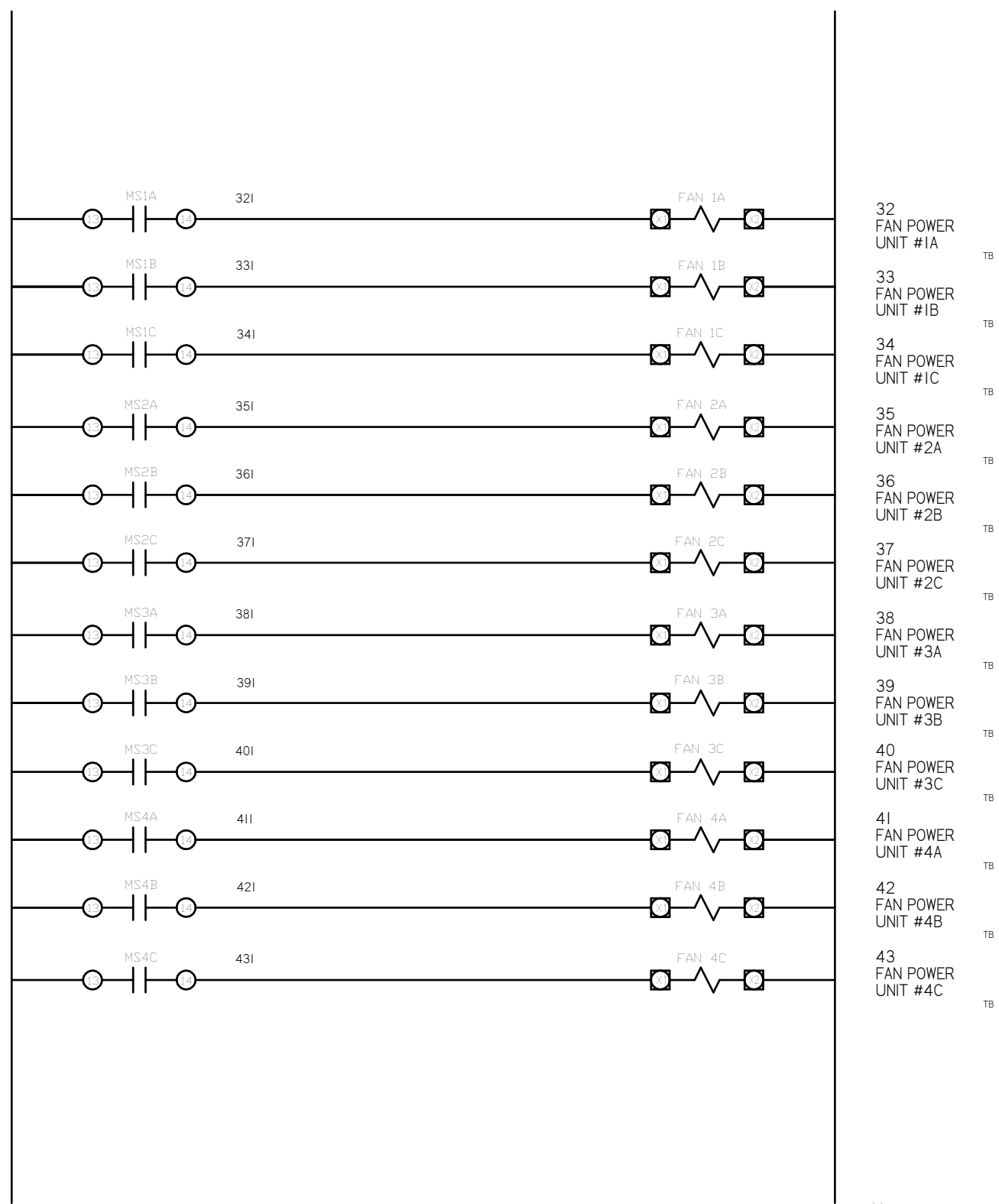
PANEL TYPE
QUAD MEDICAL COMP
HMI, NFPA

DWG. TYPE
WIRING

DWG. NO.
PXMI-S416F W

SHEET W-3	SIZE B
--------------	-----------

REV	REVISION	DATE	ECN	NAME	CHKD
B-1	RELEASE TO PRODUCTION	11/06/12	22722	CHR	DMS
C-1	CHANGE TRANSDUCER & FAN LOCATION	02/01/13	PXEC_33	BFH	CHR
D-1	BACNET CARD UPDATE ADD ISOLATION RELAYS	07/20/15	PXEC0110	AJL	KMD
E	ADDED FAN WIRING	9/07/18	PXEC0229	JPG	AH



001

W

OPTIONAL: SINGLE CYLINDER AND SCROLLPUMPS
 DOUBLE-CYLINDER PUMPS
 BACNET, WEBSVR, TRIPLE-CYLINDER PUMPS

POWEREX
 PURE AIR TECHNOLOGY

CONFIDENTIAL DISCLOSURE:
 This drawing is the property of the CAMPBELL GROUP of the SCOTT FETZER COMPANY and subject to return on demand. Its contents are confidential and must not be copied or submitted to outside parties for use or examination.

DRAWN BY	CHECKED BY	ENGINEERING APPROVAL
CHR	DMS	DMS
06/04/12	11/09/12	11/09/12

PANEL TYPE
 QUAD MEDICAL COMP
 HMI, NFPA

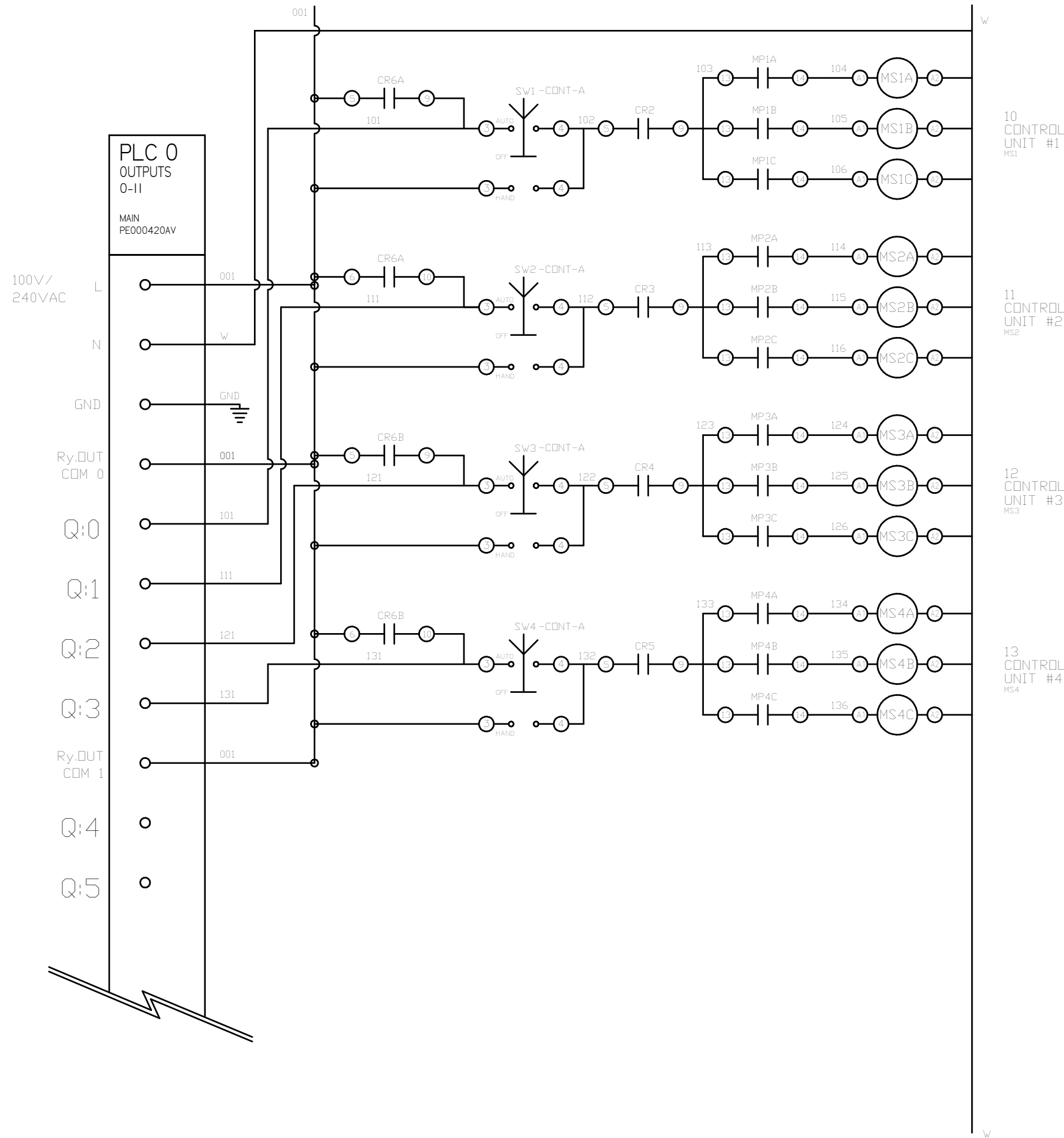
DWG. TYPE
 WIRING

DWG. NO.
 PXMI-S416F W

SHEET	SIZE
W-4	B

PXMI-S416F B1

REV	REVISION	DATE	ECN	NAME	CHKD
B-1	RELEASE TO PRODUCTION	11/06/12	22722	CHR	DMS
C-1	CHANGE TRANSDUCER & FAN LOCATION	02/01/13	PXEC_33	BFH	CHR
D-1	BACNET CARD UPDATE ADD ISOLATION RELAYS	07/20/15	PXEC0110	AJL	KMD
E	ADDED FAN WIRING	9/07/18	PXEC0225	JPG	AH



OPTIONAL:	SINGLE CYLINDER AND SCROLLPUMPS	<input checked="" type="checkbox"/>
	DOUBLE-CYLINDER PUMPS	<input type="checkbox"/>
BACNET, WEBSRVR,	TRIPLE-CYLINDER PUMPS	<input type="checkbox"/>



CONFIDENTIAL DISCLOSURE:
This drawing is the property of the CAMPBELL GROUP of the SCOTT FETZER COMPANY and subject to return on demand. Its contents are confidential and must not be copied or submitted to outside parties for use

DRAWN BY	or examination, CHECKED BY	ENGINEERING APPROVAL
CHR	DMS	DMS
06/04/12	11/09/12	11/09/12

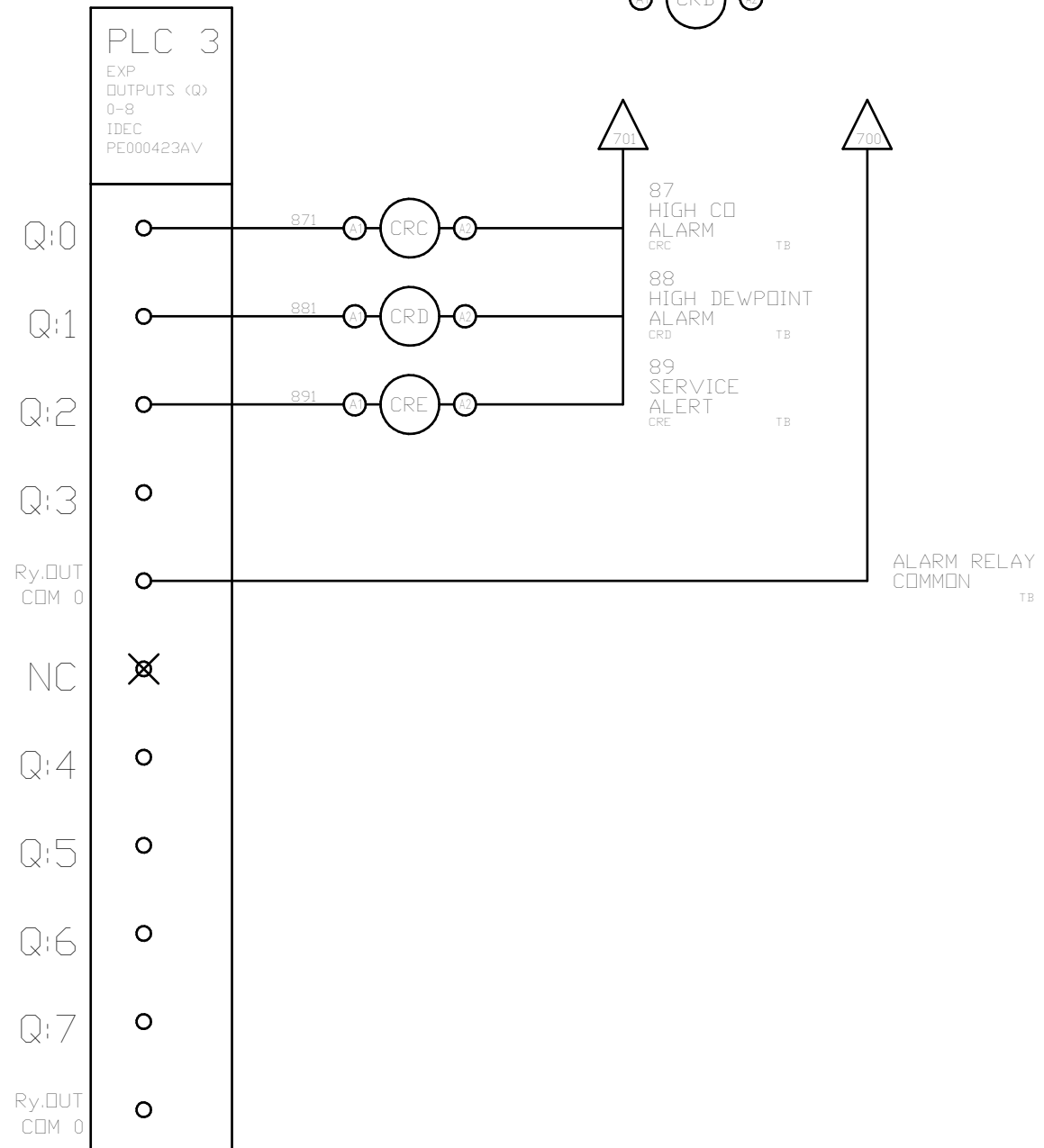
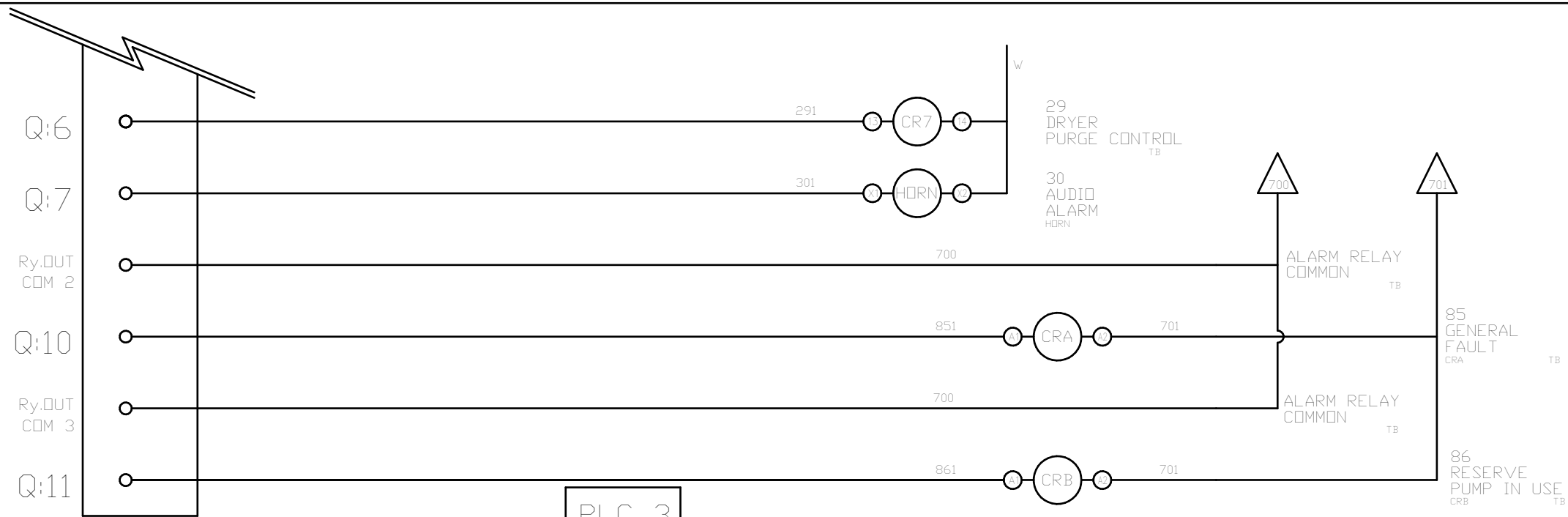
PANEL TYPE
QUAD MEDICAL COMP
HMI, NFPA

DWG. TYPE WIRING

DWG. NO.
PXMI-S416F W

SHEET W-5	SIZE B
--------------	-----------

REV	REVISION	DATE	ECN	NAME	CHKD
B-1	RELEASE TO PRODUCTION	11/06/12	22722	CHR	DMS
C-1	CHANGE TRANSDUCER & FAN LOCATION	02/01/13	PXEC_33	BFH	CHR
D-1	BACNET CARD UPDATE ADD ISOLATION RELAYS	07/20/15	PXEC0110	AJL	KMD
E	ADDED FAN WIRING	9/07/18	PXEC0225	JPG	AH



OPTIONAL:	SINGLE CYLINDER AND SCROLLPUMPS	<input checked="" type="checkbox"/>
	DOUBLE-CYLINDER PUMPS	<input type="checkbox"/>
BACNET, WEBSVR,	TRIPLE-CYLINDER PUMPS	<input type="checkbox"/>



CONFIDENTIAL DISCLOSURE:
This drawing is the property of the CAMPBELL GROUP of the SCOTT FETZER COMPANY and subject to return on demand. Its contents are confidential and must not be copied or submitted to outside parties for use

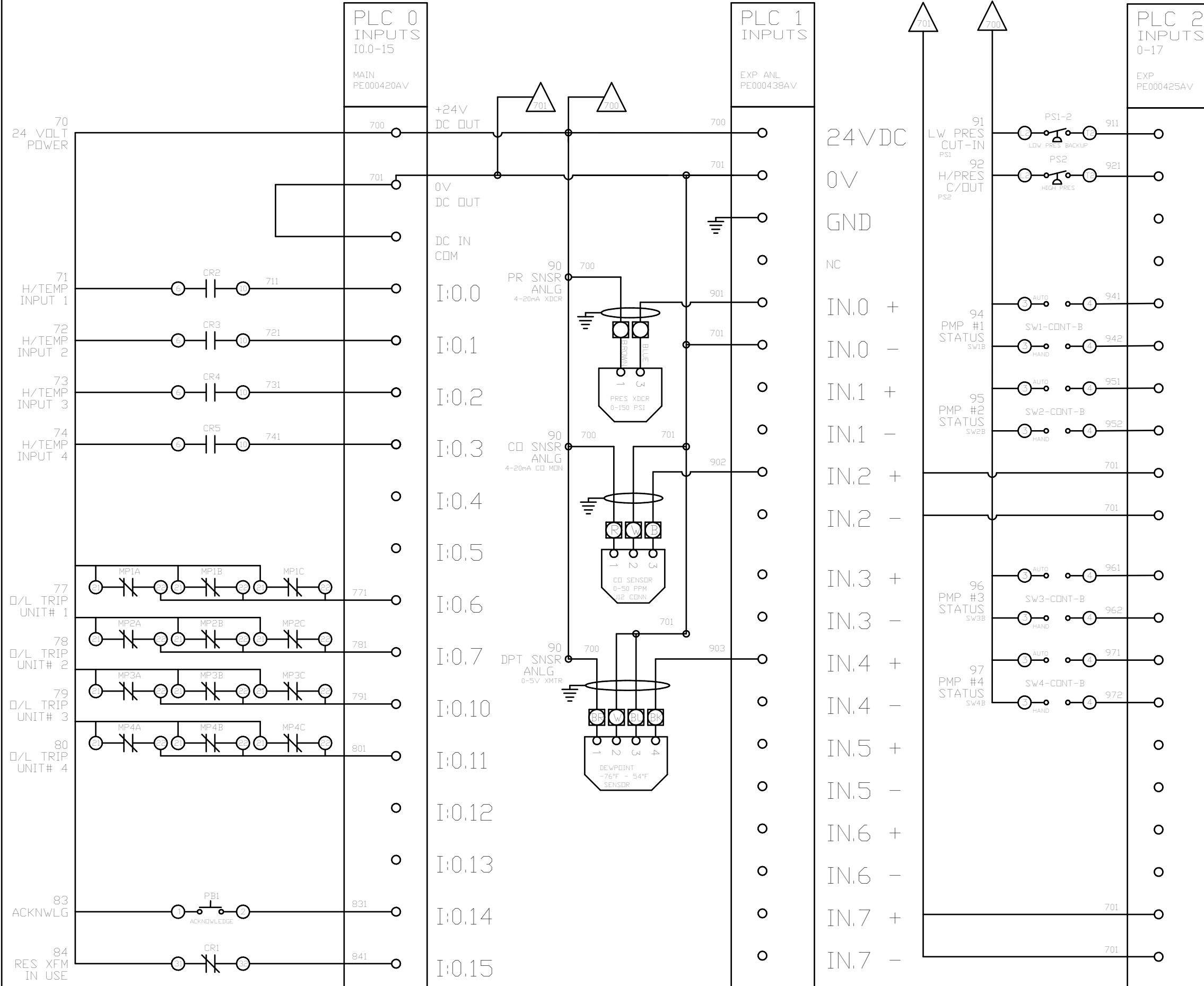
DRAWN BY	OF EXAMINATION CHECKED BY	ENGINEERING APPROVAL
CHR	DMS	DMS
06/04/12	11/09/12	11/09/12

PANEL TYPE
QUAD MEDICAL COMP
HMI, NFPA

DWG. TYPE WIRING
DWG. NO. PXMI-S416F W

SHEET W-6	SIZE B
--------------	-----------

REV	REVISION	DATE	ECN	NAME	CHKD
B-1	RELEASE TO PRODUCTION	11/06/12	22722	CHR	DMS
C-1	CHANGE TRANSDUCER & FAN LOCATION	02/01/13	PXEC_33	BFH	CHR
D-1	BACNET CARD UPDATE ADD ISOLATION RELAYS	07/20/15	PXEC0110	AJL	KMD
E	ADDED FAN WIRING	9/07/18	PXEC0225	JPG	AH



OPTIONAL:

SINGLE CYLINDER AND SCROLL PUMPS	<input checked="" type="checkbox"/>
DOUBLE-CYLINDER PUMPS	<input type="checkbox"/>
TRIPLE-CYLINDER PUMPS	<input type="checkbox"/>

BACNET, WEBSVR,



CONFIDENTIAL DISCLOSURE:
This drawing is the property of the CAMPBELL GROUP of the SCOTT FETZER COMPANY and subject to return on demand. Its contents are confidential and must not be copied or submitted to outside parties for use or examination.

DRAWN BY	CHECKED BY	ENGINEERING APPROVAL
CHR	DMS	DMS
06/04/12	11/09/12	11/09/12

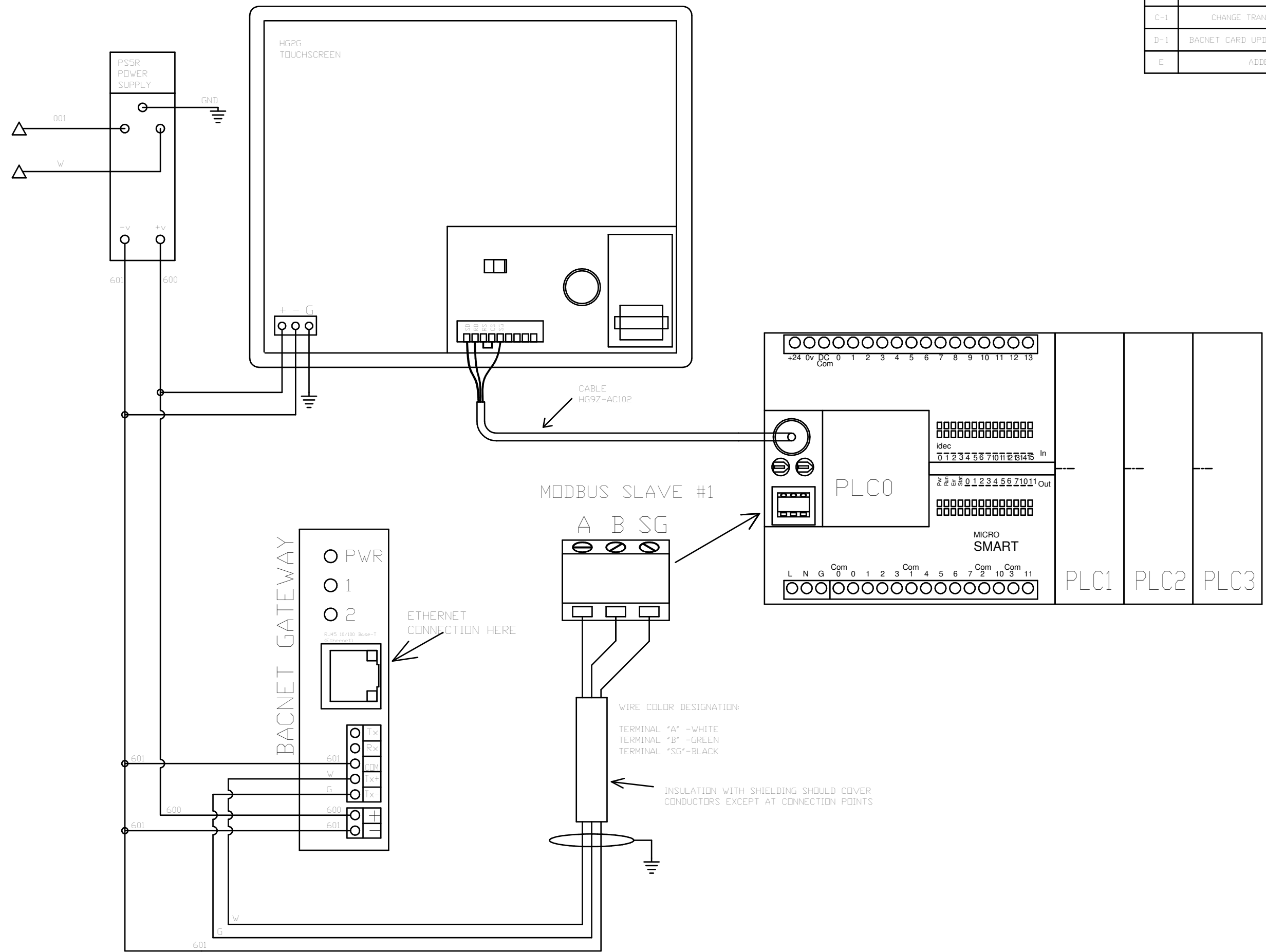
PANEL TYPE
QUAD MEDICAL COMP
HMI, NFPA

DWG. TYPE: WIRING

DWG. NO.
PXMI-S416F W

SHEET	SIZE
W-7	B

REV	REVISION	DATE	ECN	NAME	CHKD
B-1	RELEASE TO PRODUCTION	11/06/12	22722	CHR	DMS
C-1	CHANGE TRANSDUCER & FAN LOCATION	02/01/13	PXEC_33	BFH	CHR
D-1	BACNET CARD UPDATE ADD ISOLATION RELAYS	07/20/15	PXEC0110	AJL	KMD
E	ADDED FAN WIRING	9/07/18	PXEC0225	JPG	AH



OPTIONAL:	SINGLE CYLINDER AND SCROLLPUMPS	<input checked="" type="checkbox"/>
	DOUBLE-CYLINDER PUMPS	<input type="checkbox"/>
BACNET, WEBSRVR,	TRIPLE-CYLINDER PUMPS	<input type="checkbox"/>



CONFIDENTIAL DISCLOSURE:
This drawing is the property of the CAMPBELL GROUP of the SCOTT FETZER COMPANY and subject to return on demand. Its contents are confidential and must not be copied or submitted to outside parties for use

DRAWN BY	BY EXAMINATION CHECKED BY	ENGINEERING APPROVAL
CHR	DMS	DMS
06/04/12	11/09/12	11/09/12

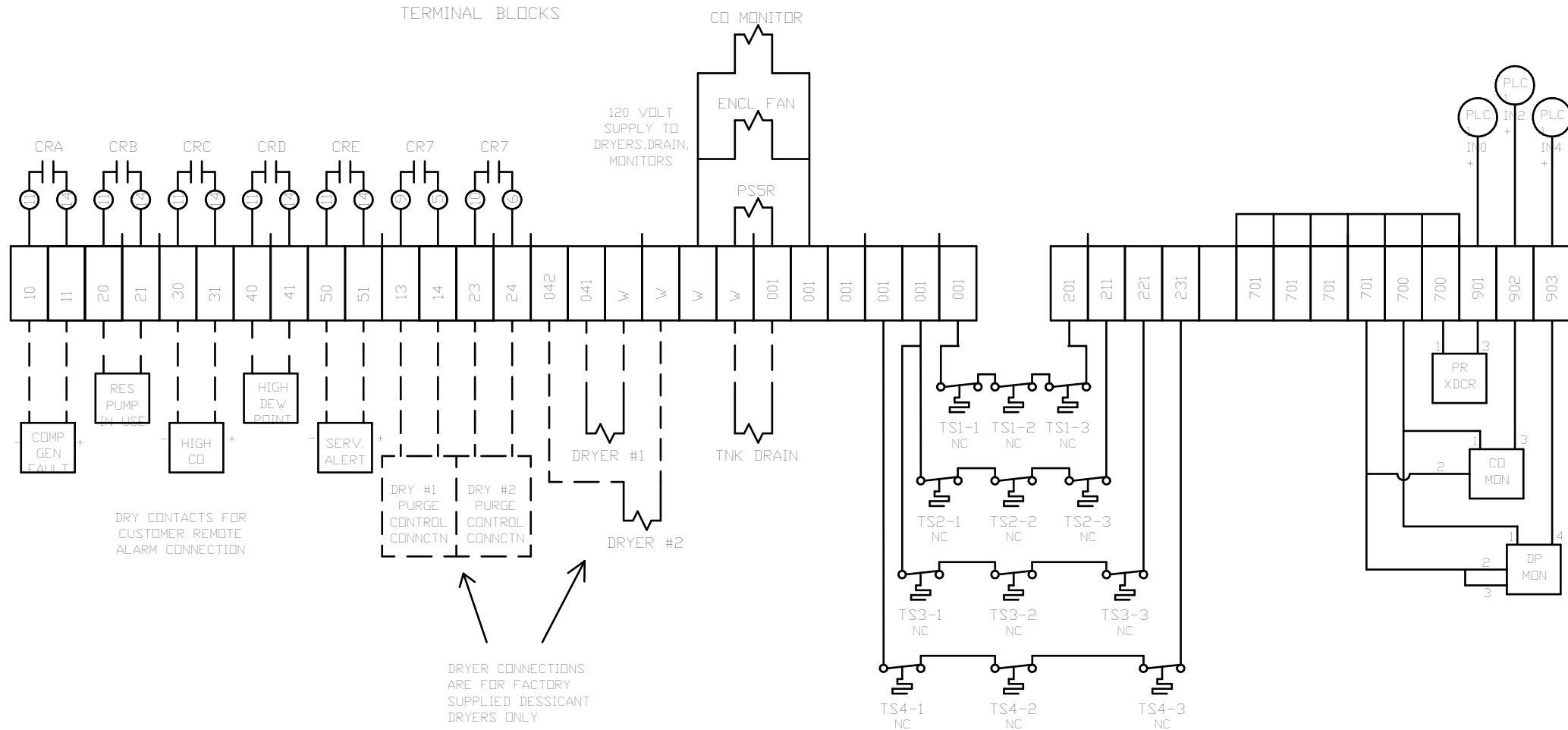
PANEL TYPE
QUAD MEDICAL COMP
HMI, NFPA

DWG. TYPE WIRING

DWG. NO.
PXMI-S416F W

SHEET	SIZE
W-8	B

TERMINAL BLOCKS



DRY CONTACTS FOR CUSTOMER REMOTE ALARM CONNECTION

DRYER CONNECTIONS ARE FOR FACTORY SUPPLIED DESSICANT DRYERS ONLY

REV	REVISION	DATE	ECN	NAME	CHKD
B-1	RELEASE TO PRODUCTION	11/06/12	22722	CHR	DMS
C-1	CHANGE TRANSDUCER & FAN LOCATION	02/01/13	PXEC_33	BFH	CHR
D-1	BACNET CARD UPDATE ADD ISOLATION RELAYS	07/20/15	PXEC0110	AJL	KMD
E	ADDED FAN WIRING	9/07/18	PXEC0225	JPG	AH

ASSEMBLY NOTE:

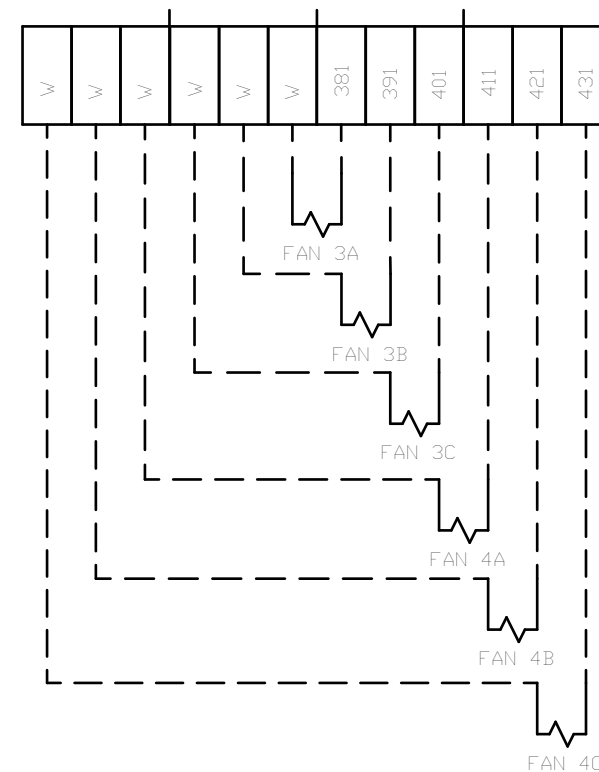
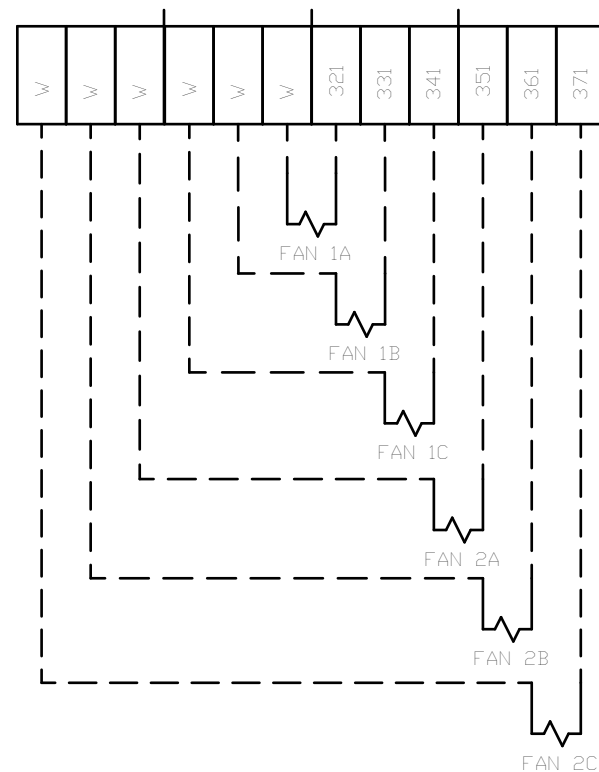
USE SHIELDED CABLE BETWEEN TERMINAL BLOCKS AND PLC. CONNECT GROUND LOOPS TO GROUND BLOCK. CABLE IS NOT TO BE ROUTED WITHIN A PROXIMITY OF 2" OF ANY 3-PHASE POWER CONDUCTORS.

OPTIONAL:	SINGLE CYLINDER AND SCROLLPUMPS	<input checked="" type="checkbox"/>
	DOUBLE-CYLINDER PUMPS	<input type="checkbox"/>
BACNET, WEBSVR,	TRIPLE-CYLINDER PUMPS	<input type="checkbox"/>



FIELD WIRING NOTES:

1. PANEL GROUND MUST BE CONNECTED TO EARTH GROUND.
2. TRANSFORMER IS SIZED FOR LOADS SHOWN ON DRAWING ONLY.
3. FIELD WIRING INDICATED BY -----, WIRE TO BE COPPER RATED AT 75° C.
4. ALL ALARM DRY CONTACTS ARE CLOSED FOR NORMAL OPERATION AND OPEN IN ALARM.
5. DRY CONTACT RATING: 30V DC/2A (resistive load, inductive load L/R = 7 ms)
6. USE CAT-5 CABLE W/RJ45 CONNECTOR FOR ETHERNET CONNECTION TO COMMUNICATION NETWORK OR BAS SYSTEM



CONFIDENTIAL DISCLOSURE:
This drawing is the property of the CAMPBELL GROUP of the SCOTT FETZER COMPANY and subject to return on demand. Its contents are confidential and must not be copied or submitted to outside parties for use or examination.

DRAWN BY	CHECKED BY	ENGINEERING APPROVAL
CHR	DMS	DMS
06/04/12	11/09/12	11/09/12

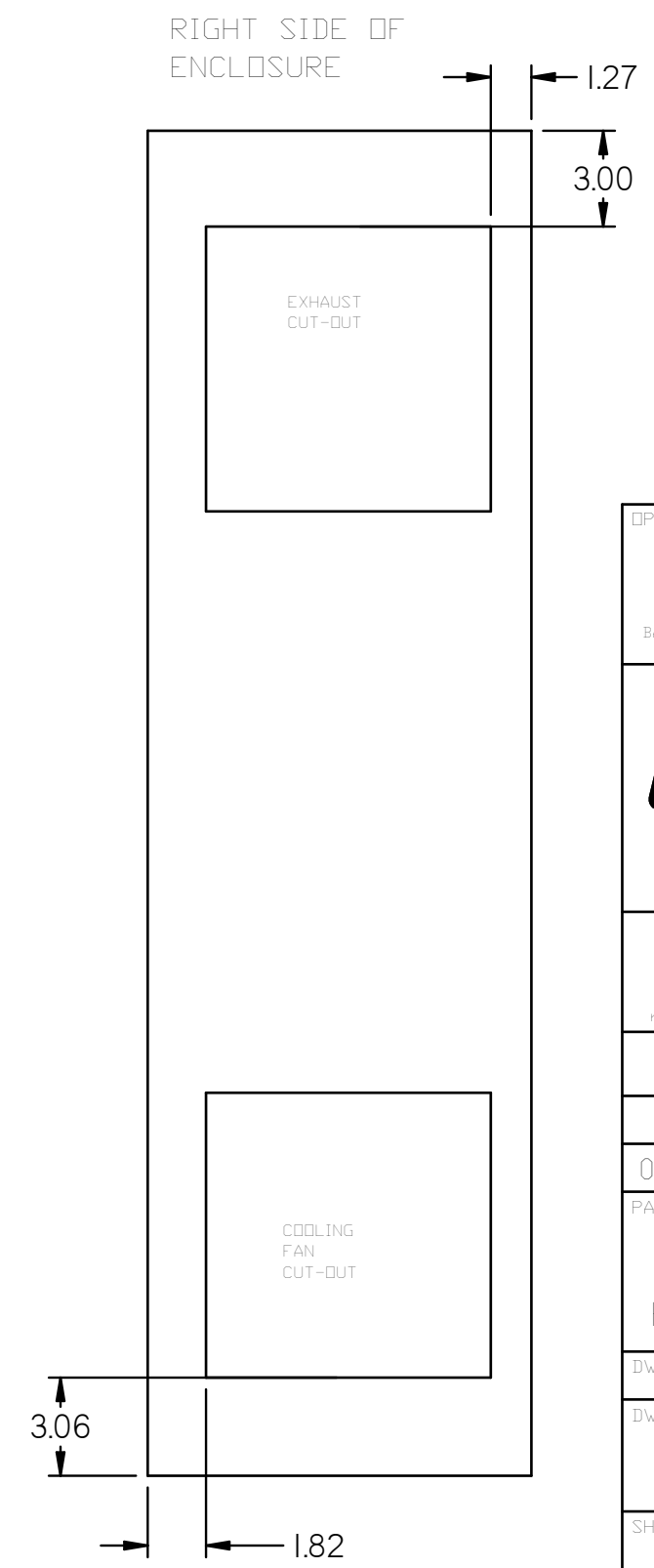
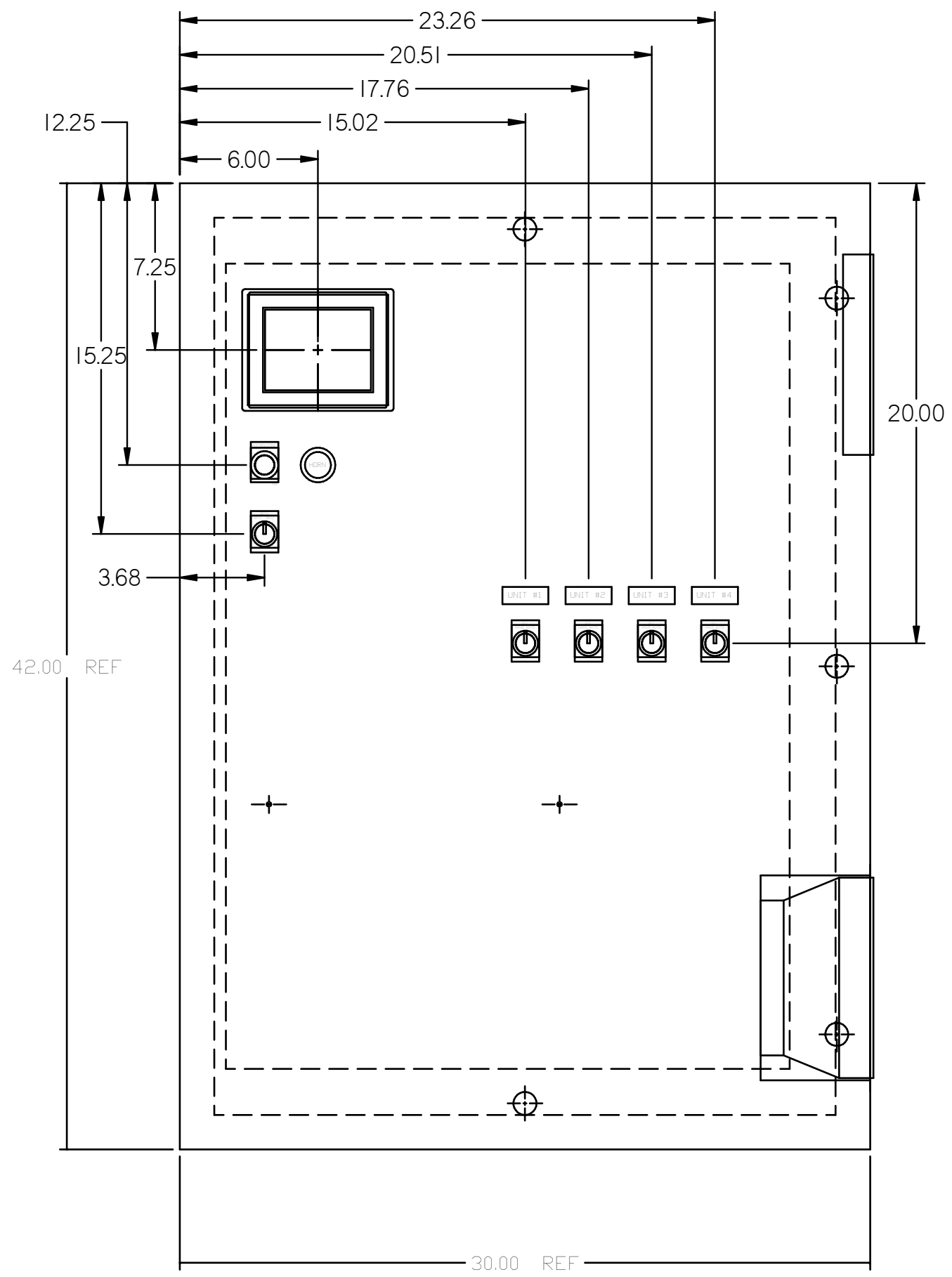
PANEL TYPE
QUAD MEDICAL COMP
HMI, NFPA

DWG. TYPE WIRING

DWG. NO.
PXMI-S416F W

SHEET	SIZE
W-9	B

REV	REVISION	DATE	ECN	NAME	CHKD
B-1	RELEASE TO PRODUCTION	11/06/12	22722	CHR	DMS
C-1	CHANGE TRANSDUCER & FAN LOCATION	02/01/13	PXEC_33	BFH	CHR
D-1	BACNET CARD UPDATE ADD ISOLATION RELAYS	07/20/15	PXEC0110	AJL	KMD
E	ADDED FAN WIRING	9/07/18	PXEC0229	JPG	AH



- OPTIONAL:
- SINGLE CYLINDER AND SCROLLPUMPS
 - DOUBLE-CYLINDER PUMPS
 - TRIPLE-CYLINDER PUMPS
- BACNET, WEBSRV,



CONFIDENTIAL DISCLOSURE:
This drawing is the property of the CAMPBELL GROUP of the SCOTT FETZER COMPANY and subject to return on demand. Its contents are confidential and must not be copied or submitted to outside parties for use

DRAWN BY	CHECKED BY	ENGINEERING APPROVAL
CHR	DMS	DMS
06/04/12	11/09/12	11/09/12

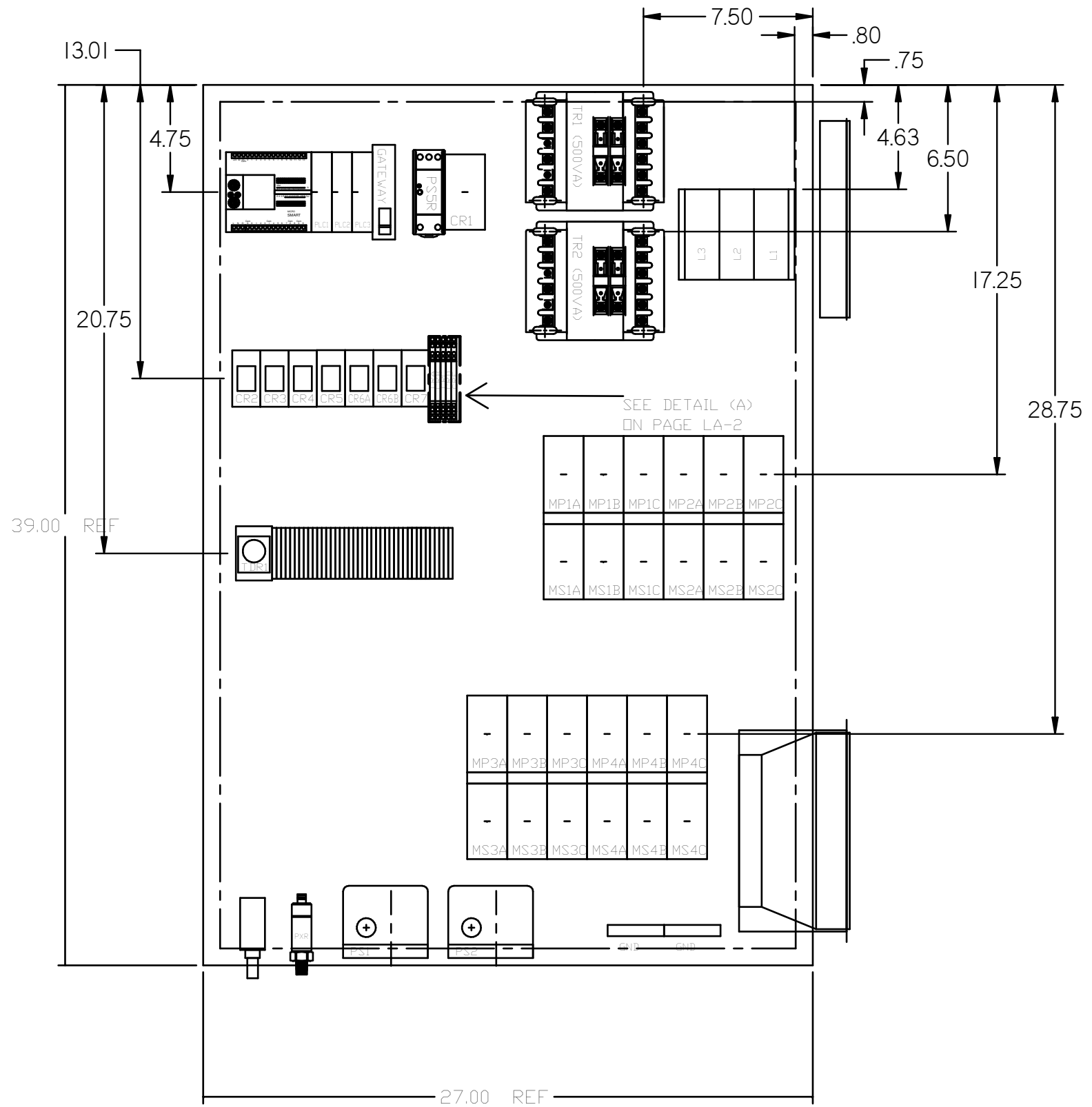
PANEL TYPE
QUAD MEDICAL COMP
HMI, NFPA

DWG. TYPE LAYOUT

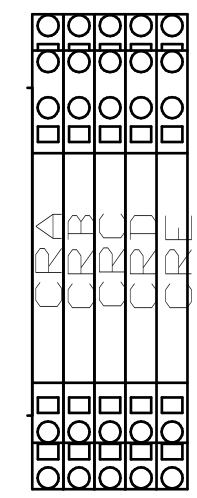
DWG. NO.
PXMI-S416F W

SHEET L-1	SIZE B
--------------	-----------

REV	REVISION	DATE	ECN	NAME	CHKD
B-1	RELEASE TO PRODUCTION	11/06/12	22722	CHR	DMS
C-1	CHANGE TRANSDUCER & FAN LOCATION	02/01/13	PXEC_33	BFH	CHR
D-1	BACNET CARD UPDATE ADD ISOLATION RELAYS	07/20/15	PXEC0110	AJL	KMD
E	ADDED FAN WIRING	9/07/18	PXEC0225	JPG	AH



SEE DETAIL (A)
ON PAGE LA-2



DETAIL A

OPTIONAL:	SINGLE CYLINDER AND SCROLLPUMPS	<input checked="" type="checkbox"/>
	DOUBLE-CYLINDER PUMPS	<input type="checkbox"/>
BACNET, WEBSVR.	TRIPLE-CYLINDER PUMPS	<input type="checkbox"/>



CONFIDENTIAL DISCLOSURE:
This drawing is the property of the CAMPBELL GROUP of the SCOTT FETZER COMPANY and subject to return on demand. Its contents are confidential and must not be copied or submitted to outside parties for use

DRAWN BY	OF EXAMINATION CHECKED BY	ENGINEERING APPROVAL
CHR	DMS	DMS
06/04/12	11/09/12	11/09/12

PANEL TYPE
QUAD MEDICAL COMP
HMI, NFPA

DWG. TYPE LAYOUT

DWG. NO.
PXMI-S416F W

SHEET	SIZE
L-2	B

REV	REVISION	DATE	ECN	NAME	CHKD
B-1	RELEASE TO PRODUCTION	11/06/12	22722	CHR	DMS
C-1	CHANGE TRANSDUCER & FAN LOCATION	02/01/13	PXEC_33	BFH	CHR
D-1	BACNET CARD UPDATE ADD ISOLATION RELAYS	07/20/15	PXEC0110	AJL	KMD
E	ADDED FAN WIRING	9/07/18	PXEC0225	JPG	AH

TABLE 1

PANEL DATA 3Ø - 50 Hz 500VA CONTROL CIRCUIT							
(A) LOAD SPECIFICATIONS					(B) BRANCH CIRCUIT PROTECTION - PROVIDED BY INSTALLER		
PANEL PART NUMBER	MOTOR SIZE EACH	(A) POWER (V/PH)	(A) MOTOR LOAD EACH (FLA)	PANEL LOAD TOTAL (FLA)	NONTIME DELAY FUSE	TIME-DELAY FUSE	INVERSE-TIME CIRCUIT BREAKER
PXMIS416FUAJ	5(X3)	440V/3Ø	7.58	93	110A	100A	110A

NOTE-- ADJUST OVERCURRENT PROTECTION DEVICE NOT TO EXCEED 115% OF MOTOR NAMEPLATE FLA VALUE

NOTES:

- RECOMMENDED TIGHTENING TORQUES FOR WIRE TERMINALS:
208-575 VOLT POWER 35 POUND INCHES
120 VOLT POWER AND CONTROL VOLTAGE 15 POUND INCHES
- PANEL GROUND MUST BE CONNECTED TO EARTH GROUND
- INSTALLER TO PROVIDE MAIN DISCONNECTING DEVICE WITH SHORT CIRCUIT PROTECTION FOR THIS ELECTRICAL ASSEMBLY. SEE TABLE 1 .
- ALL WIRES MUST BE LABELED ON BOTH ENDS
- TRANSFORMER IS SIZED FOR LOADS SHOWN ON DRAWING ONLY. DO NOT CONNECT ANY OTHER DEVICES
- △ INDICATES A DRAWING WIRE CONNECTION TO ANOTHER PAGE.

FIELD WIRING NOTES ON PAGE W-8.

SEQUENCE OF OPERATIONS

During normal operation the PBMI controller will signal the Lead compressor to run when pressure drops below lead cut-in set-point and stop when the pressure reaches the lead cut-out set-point. Lead alternation to the next pump, will occur with each lead run signal or every 10-minutes (which ever happens first). If demand cannot be satisfied by the lead pump, the lag pump(s) will start and stop based upon the lag cut-in and cut-out set-points. When more than one pump is running, lead alternation will occur when the lowest cut-out set-point is satisfied, or after 10-minutes (which ever happens first). The HOA switch's place the pump in the following modes: Hand-turns pump on to run continuous. Off-disables pump from running. Auto-places pump in the "ready mode" and will start and stop based on sequence described above.

All plex configurations include a hardwired Back-up pressure switch circuit should a control failure occur. This circuit will call all pumps on and off based on the reserve pressure switch set-points.

Expandable systems include all control devices, operators, and programming for the maximum number of pumps (or plex) required. To expand the system: navigate to the "service screen" and enter the number of pumps.


Additional information and descriptions can be accessed through the HMI "service info" screen by pressing Sequence of Operations button.

CONTROL TRANSFORMERS - 500VA						WIRE TYPE TABLE			
FUSE		208	230	460	575	VOLTAGE	WIRE NUMBERS	GAUGE	COLOR
TYPE		VOLT	VOLT	3Ø	VOLT				
FU1,2A	FNQR	6A	5A	5A	4A	20VAC	001-699	16-18AWG	RED/BLK
FU1,2B						0VAC	W	16-18AWG	WHT/BLK
						24VDC	700-1200	16-18AWG	PURPLE
FU3A,B	FNM	7A	7A	7A	7A	0VDC	701	16-18AWG	PURPLE
						GND	-	VARIES	GREEN
						CUSTOMER SUPPLY	01-99	16AWG	YELLOW

SEE XFMR FOR CONNECTIONS

OPTIONAL:

BACNET, WEBSRV, X



CONFIDENTIAL DISCLOSURE:
This drawing is the property of the CAMPBELL GROUP of the SCOTT FEIZER COMPANY and subject to return on demand. Its contents are confidential and must not be copied or submitted to outside parties for use

DRAWN BY	CHECKED BY	ENGINEERING APPROVAL
CHR	DMS	DMS

DATE	DATE	DATE
06/04/12	11/09/12	11/09/12

PANEL TYPE
QUAD MEDICAL COMP
HMI, NFPA

DWG. TYPE 50HZ DATA

DWG. NO. PXMI-S416F W

SHEET	SIZE
D-1	B

PXMI-S416F B1

REV	REVISION	DATE	ECN	NAME	CHKD
B-1	RELEASE TO PRODUCTION	11/06/12	22722	CHR	DMS
C-1	CHANGE TRANSDUCER & FAN LOCATION	02/01/13	PXEC_33	BFH	CHR
D-1	BACNET CARD UPDATE ADD ISOLATION RELAYS	07/20/15	PXEC0110	AJL	KMD
E	ADDED FAN WIRING	9/07/18	PXEC0225	JPG	AH

TABLE 1

PANEL DATA 3Ø - 60 Hz 500VA CONTROL CIRCUIT					(B) BRANCH CIRCUIT PROTECTION - PROVIDED BY INSTALLER		
(A) LOAD SPECIFICATIONS					NONTIME DELAY FUSE	TIME-DELAY FUSE	INVERSE-TIME CIRCUIT BREAKER
PANEL PART NUMBER	MOTOR SIZE EACH	(A) POWER (V/Ph)	(A) MOTOR LOAD EACH (FLA)	PANEL LOAD TOTAL (FLA)			
PXMIS416F2AJ	5(X3)	208V/3Ø	14.0	173	225A	200A	200A
PXMIS416F3AJ	5(X3)	230V/3Ø	12.7	157	200A	175A	200A
PXMIS416F4AJ	5(X3)	460V/3Ø	6.33	80	100A	90A	90A

NOTE - ADJUST OVERCURRENT PROTECTION DEVICE NOT TO EXCEED 115% OF MOTOR NAMEPLATE FLA VALUE

NOTES:

- RECOMMENDED TIGHTENING TORQUES FOR WIRE TERMINALS:
208-575 VOLT POWER 35 POUND INCHES
120 VOLT POWER AND CONTROL VOLTAGE 15 POUND INCHES
 - PANEL GROUND MUST BE CONNECTED TO EARTH GROUND
 - INSTALLER TO PROVIDE MAIN DISCONNECTING DEVICE WITH SHORT CIRCUIT PROTECTION FOR THIS ELECTRICAL ASSEMBLY. SEE TABLE 1 .
 - ALL WIRES MUST BE LABELED ON BOTH ENDS
 - TRANSFORMER IS SIZED FOR LOADS SHOWN ON DRAWING ONLY. DO NOT CONNECT ANY OTHER DEVICES
 - △-INDICATES A DRAWING WIRE CONNECTION TO ANOTHER PAGE.
- FIELD WIRING NOTES ON PAGE W-8.

SEQUENCE OF OPERATIONS

During normal operation the PBMI controller will signal the Lead compressor to run when pressure drops below lead cut-in set-point and stop when the pressure reaches the lead cut-out set-point. Lead alternation to the next pump, will occur with each lead run signal or every 10-minutes (which ever happens first). If demand cannot be satisfied by the lead pump, the lag pump(s) will start and stop based upon the lag cut-in and cut-out set-points. When more than one pump is running, lead alternation will occur when the lowest cut-out set-point is satisfied, or after 10-minutes (which ever happens first). The HOA switch's place the pump in the following modes: Hand-turns pump on to run continuous. Off-disables pump from running. Auto-places pump in the "ready mode" and will start and stop based on sequence described above.

All plex configurations include a hardwired Back-up pressure switch circuit should a control failure occur. This circuit will call all pumps on and off based on the reserve pressure switch set-points.

Expandable systems include all control devices, operators, and programming for the maximum number of pumps (or plex) required. To expand the system: navigate to the "service screen" and enter the number of pumps.


Additional information and descriptions can be accessed through the HMI "service info" screen by pressing Sequence of Operations button.

CONTROL TRANSFORMERS - 500VA					
FUSE		208	230	460	575
TYPE		VOLT	VOLT	380 VOLT	VOLT
FU1,2A	FNQR	6A	5A	5A	4A
FU1,2B					
FU3A,B	FNM	7A	7A	7A	7A
SEE XFRMR FOR CONNECTIONS					

WIRE TYPE TABLE			
VOLTAGE	WIRE NUMBERS	GAUGE	COLOR
120VAC	001-699	16-18AWG	RED/BLK
0VAC	W	16-18AWG	WHT/BLK
24VDC	700-1200	16-18AWG	PURPLE
0VDC	701	16-18AWG	PURPLE
GND	-	VARIES	GREEN
CUSTOMER SUPPLY	01-99	16AWG	YELLOW

OPTIONAL:

BACNET, WEBSRVR. X



CONFIDENTIAL DISCLOSURE:
This drawing is the property of the CAMPBELL GROUP of the SCOTT FETZER COMPANY and subject to return on demand. Its contents are confidential and must not be copied or submitted to outside parties for use or examination.

DRAWN BY	CHECKED BY	ENGINEERING APPROVAL
CHR	DMS	DMS
06/04/12	11/09/12	11/09/12

PANEL TYPE
QUAD MEDICAL COMP
HMI, NFPA

DWG. TYPE 60HZ DATA

DWG. NO. PXMI-S416F W

SHEET D-1 SIZE B

PXMI-S416F B1