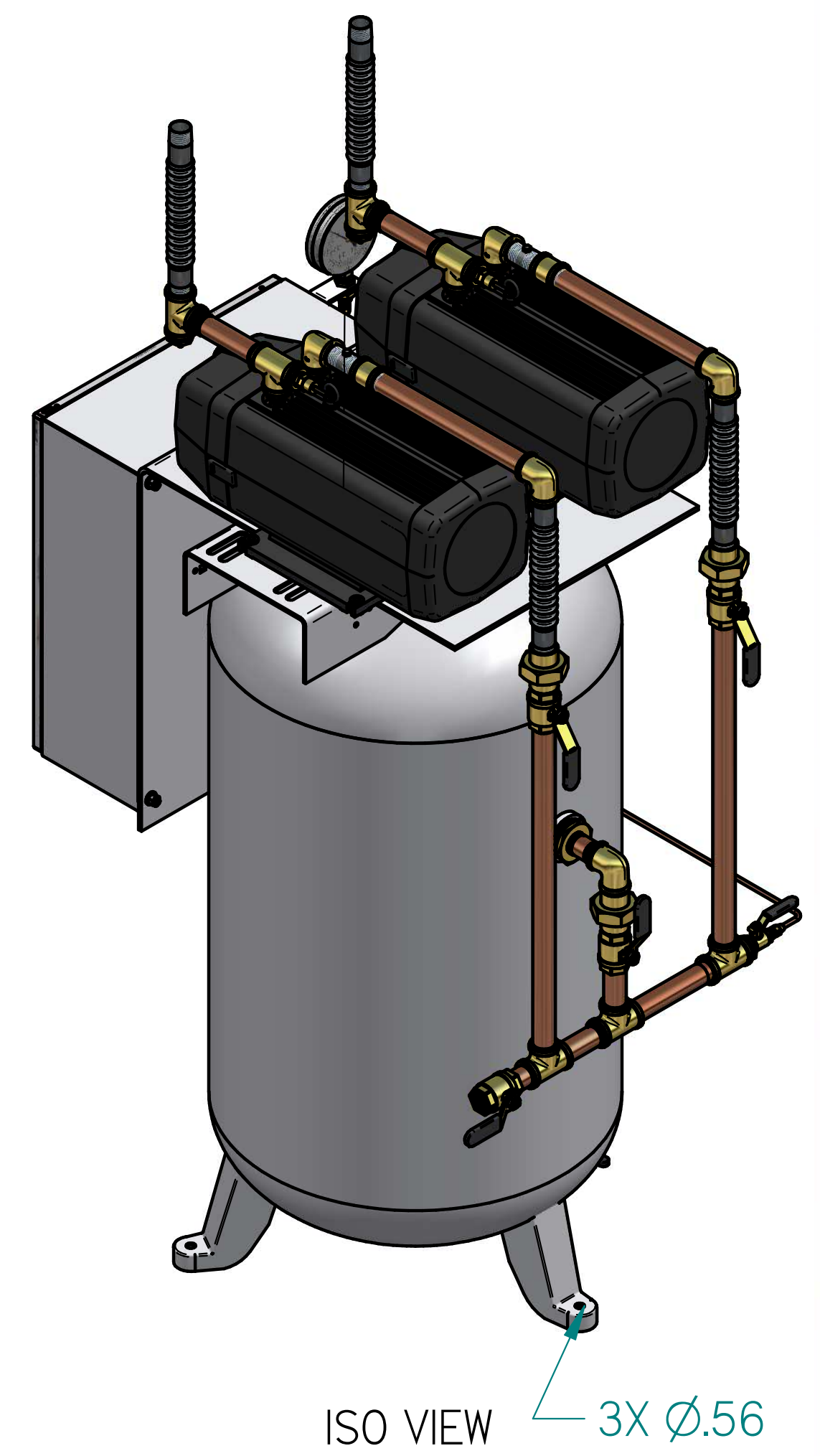
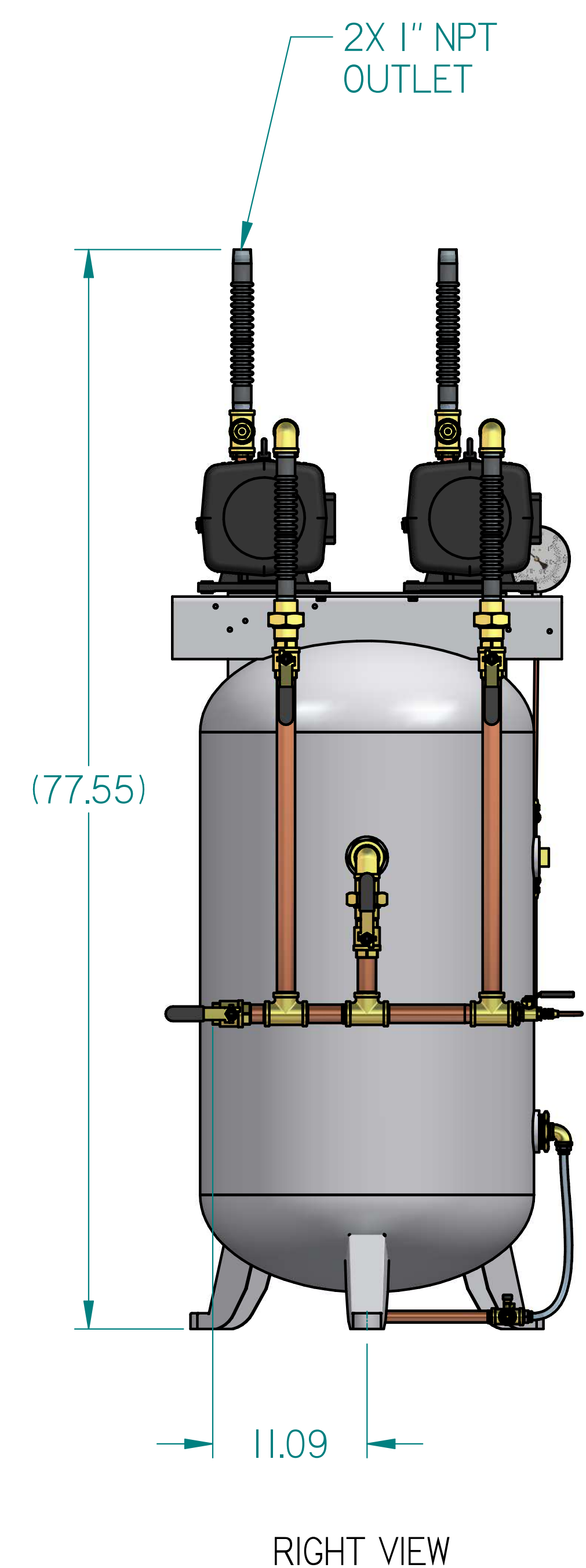
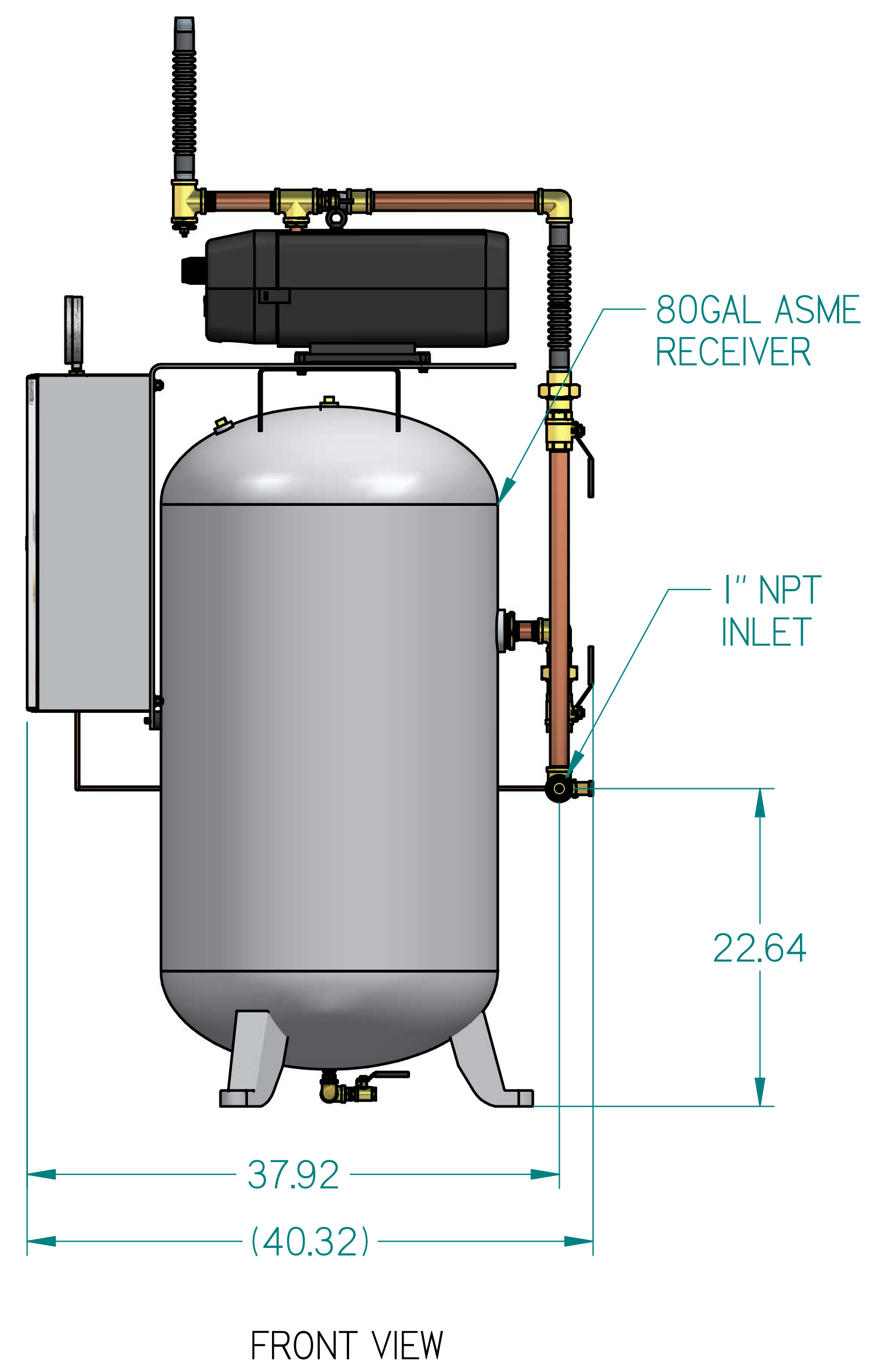
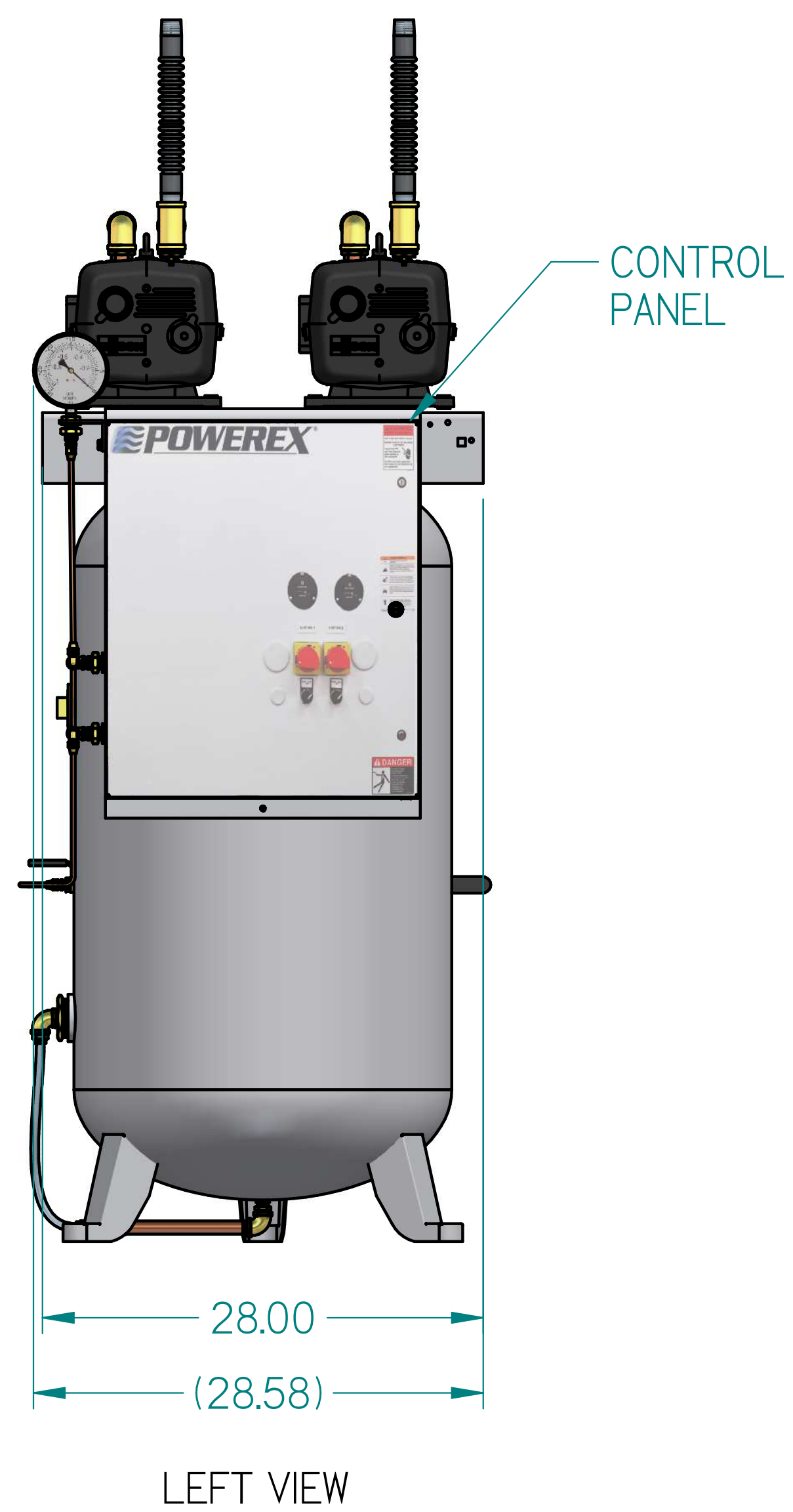
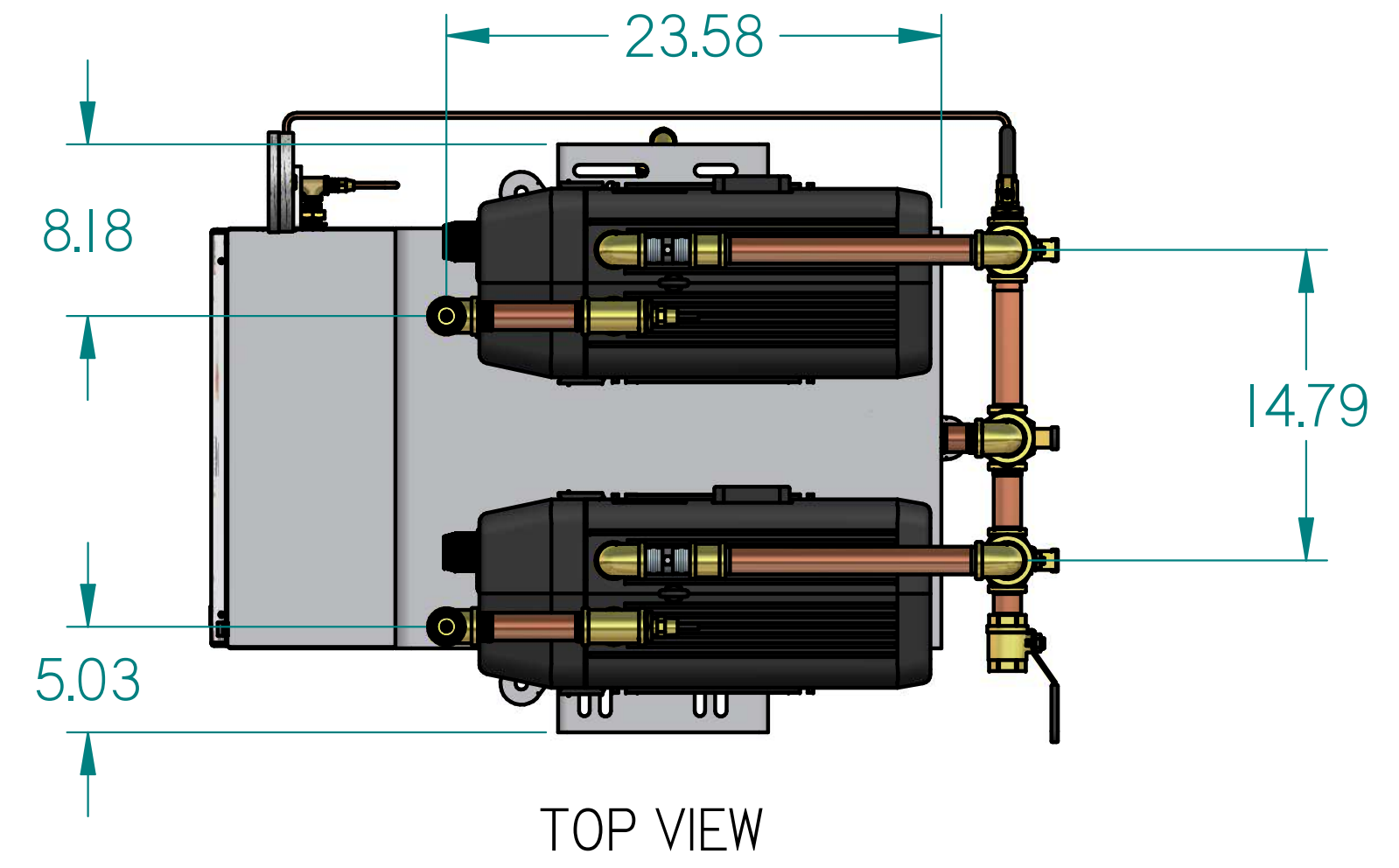


VVOTD0203K1

DUPLEX OILLESS VACUUM
2 HP 80 GAL VERT

REVISION NOTES		
DESCRIPTION	ECN	PR/NOR
3D RELEASE	PXEC0261	N/A



- NOTES
- APPROXIMATE WEIGHT: 507 lbm
 - A MINIMUM OF 24" CLEARANCE IS RECOMMENDED AROUND THE ENTIRE UNIT. CLEARANCE FOR CONTROL PANEL SHALL BE IN ACCORDANCE WITH OSHA/NEC REQUIREMENTS.
 - SYSTEM DESIGNED IN COMPLIANCE WITH U.S. NFPA '99, LATEST EDITION.

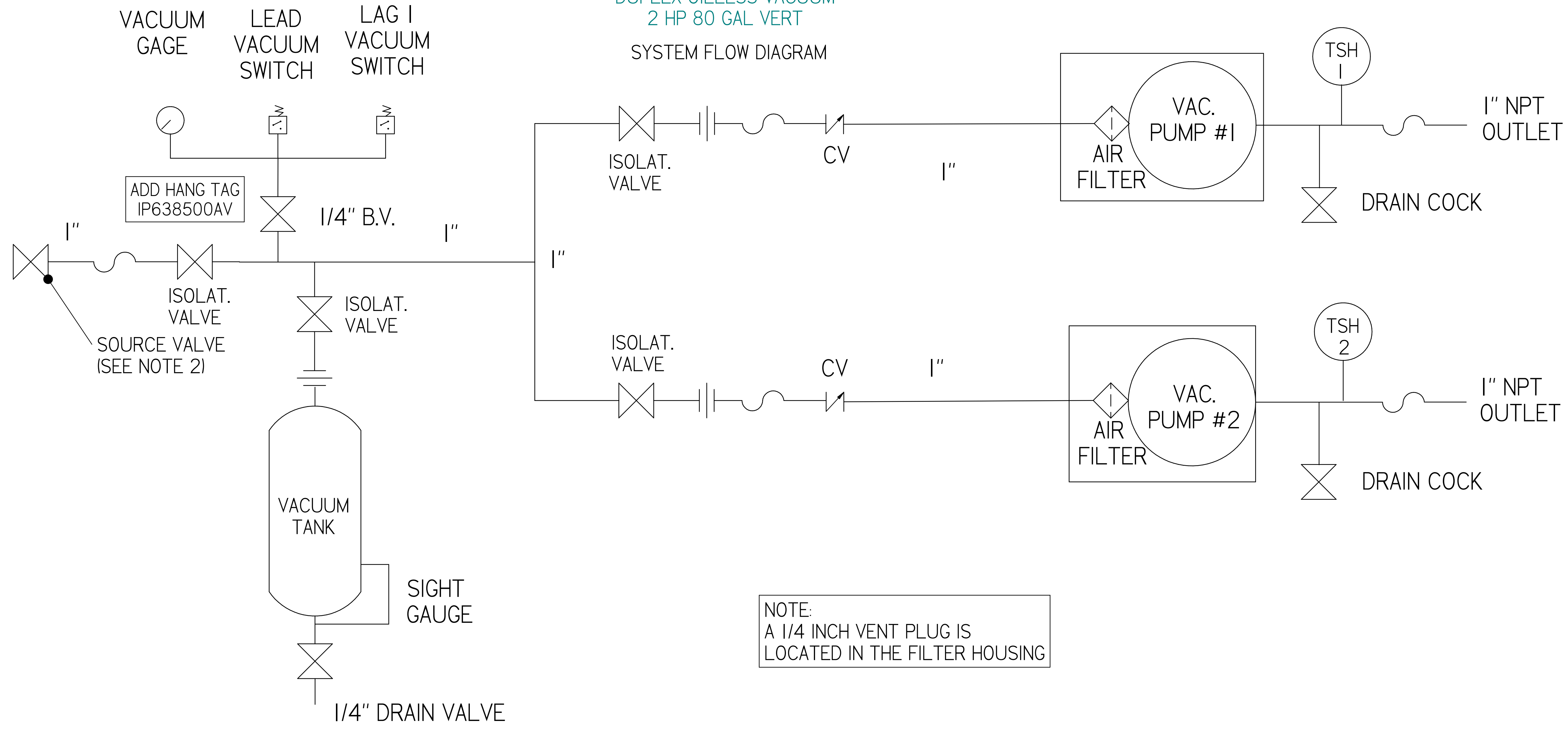
SYMBOL LEGEND		DRAWINGS TO CONFORM TO CURRENT REVISION OF THE FOLLOWING ANSI STANDARDS:	
		#14.3 MULTI AND SECTIONAL VIEW DWGS	
		#14.5 DIMENSIONING AND TOLERANCING	
TOLERANCES NOT SPECIFIED	SOLID EDGE DRAWING	DO NOT SCALE DRAWING FOR DIMENSIONS	
0.00X ± .005		SHEET 1 OF 2	SCALE 1:8
0.00X ± .010	INCH		
CONFIDENTIAL DISCLOSURE: This drawing is the property of POWEREX or the SCOTT FETTER COMPANY and is subject to return on demand. Its contents are confidential and must not be copied or submitted to outside parties for use or examination.		AUTHOR	APPROVALS ON FILE IN PLM
		TATA	10-01-2019
ITEM ID		POWEREX	
MATERIAL		ISO PRODUCTION DRIVE, HARRISON OH 45030	
		ISS: 7/26/2019	
DESCRIPTION		DRAWING NUMBER	SIZE
DUPLEX OILLESS VACUUM 2 HP 80 GAL VERT		VVOTD0203K1	D

VVOTD0203K1

DUPLEX OILLESS VACUUM
2 HP 80 GAL VERT

SYSTEM FLOW DIAGRAM

REVISION NOTES		
DESCRIPTION	ECN	PR/NOR
3D RELEASE	PXEC026I	N/A



NOTE:
A 1/4 INCH VENT PLUG IS
LOCATED IN THE FILTER HOUSING

LEGEND

	TEMP. SWITCH		VACUUM SWITCH
	AIR FILTER		CHECK VALVE
	BALL VALVE		FLEX LINE
			UNION

NOTES:
1) TSH - TEMPERATURE SWITCH HIGH
2) PER NFPA THE SYSTEM WILL REQUIRE A SOURCE VALVE (SUPPLIED BY OTHERS)

SYMBOL LEGEND		DRAWINGS TO CONFORM TO CURRENT REVISION OF THE FOLLOWING ANSI STANDARDS: #14.3 MULTI AND SECTIONAL VIEW DWGS #14.5 DIMENSIONING AND TOLERANCING	
TOLERANCES NOT SPECIFIED	SOLID EDGE DRAWING	DO NOT SCALE DRAWING FOR DIMENSIONS	
0.004 ± 0.001	INCH	SHEET 2 OF 2	SCALE 1:1
CONFIDENTIAL DISCLOSURE This drawing is the property of POWEREX or the SCOTT FETTER COMPANY and is subject to return on demand. Its contents are confidential and must not be copied or submitted to outside parties for use or examination.		AUTHOR	APPROVALS ON FILE IN PLM
MATERIAL		TATA	10-01-2019
DESCRIPTION DUPLEX OILLESS VACUUM 2 HP 80 GAL VERT		DRAWING NUMBER VVOTD0203K1	SIZE D

