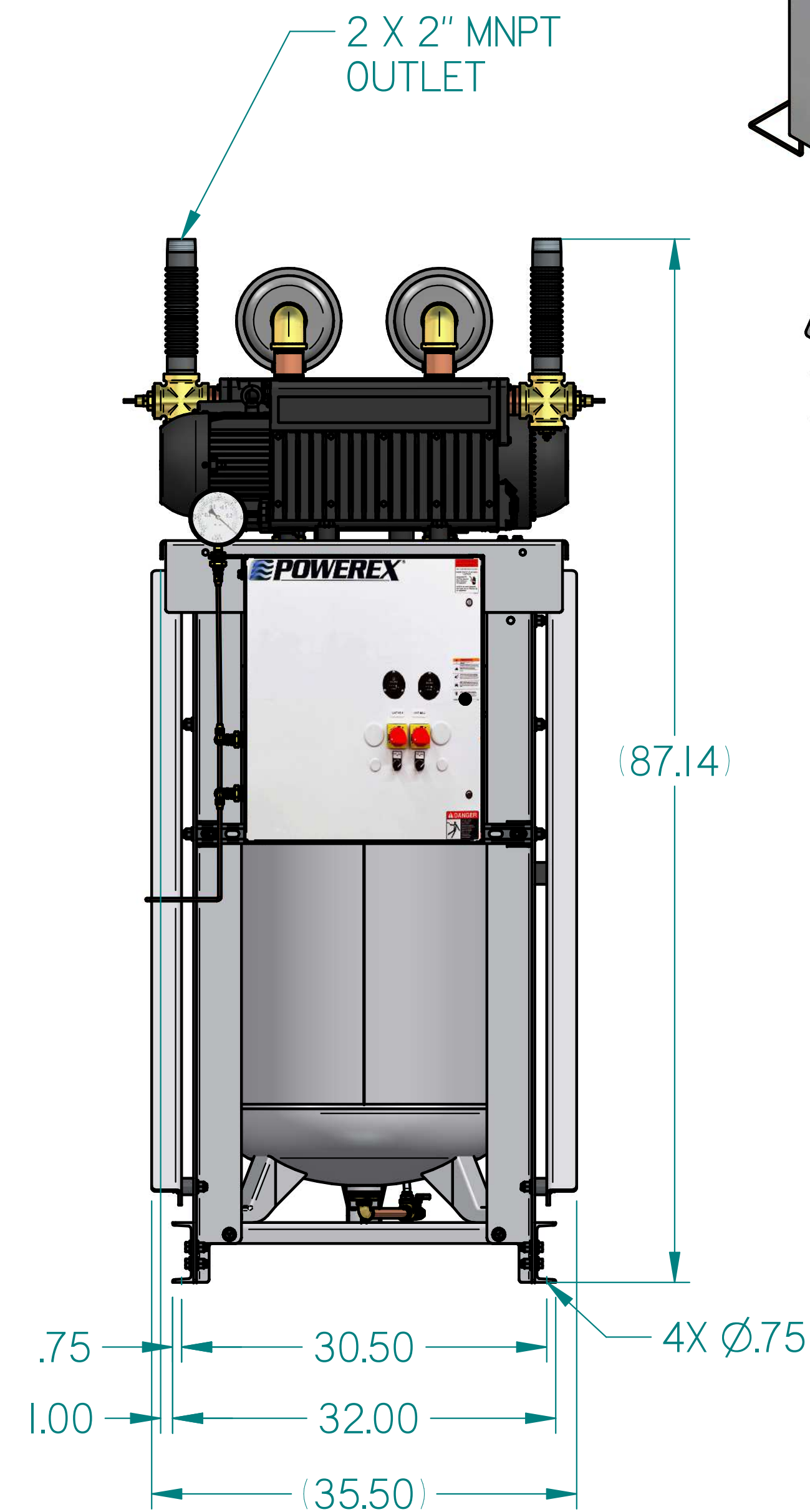
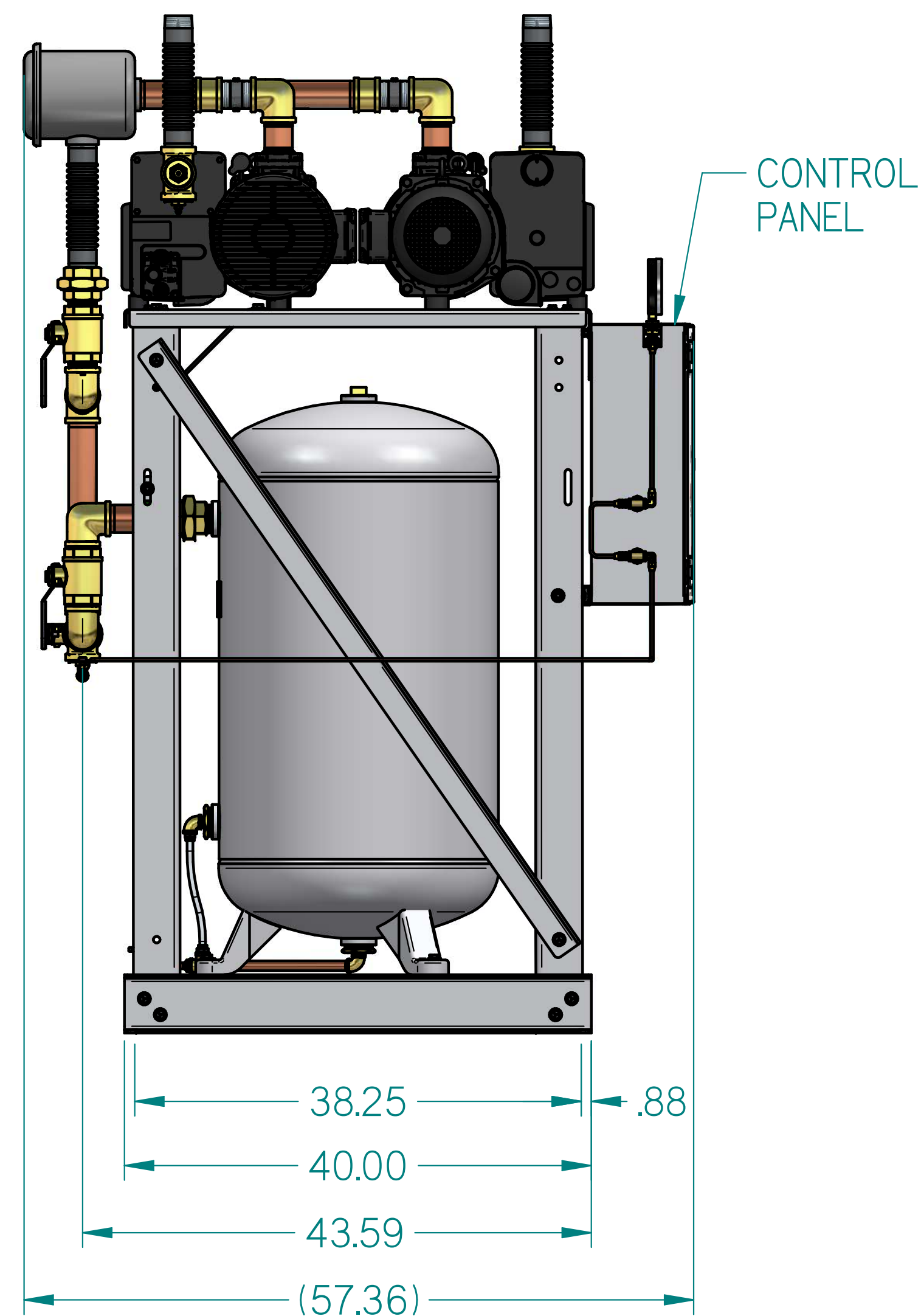
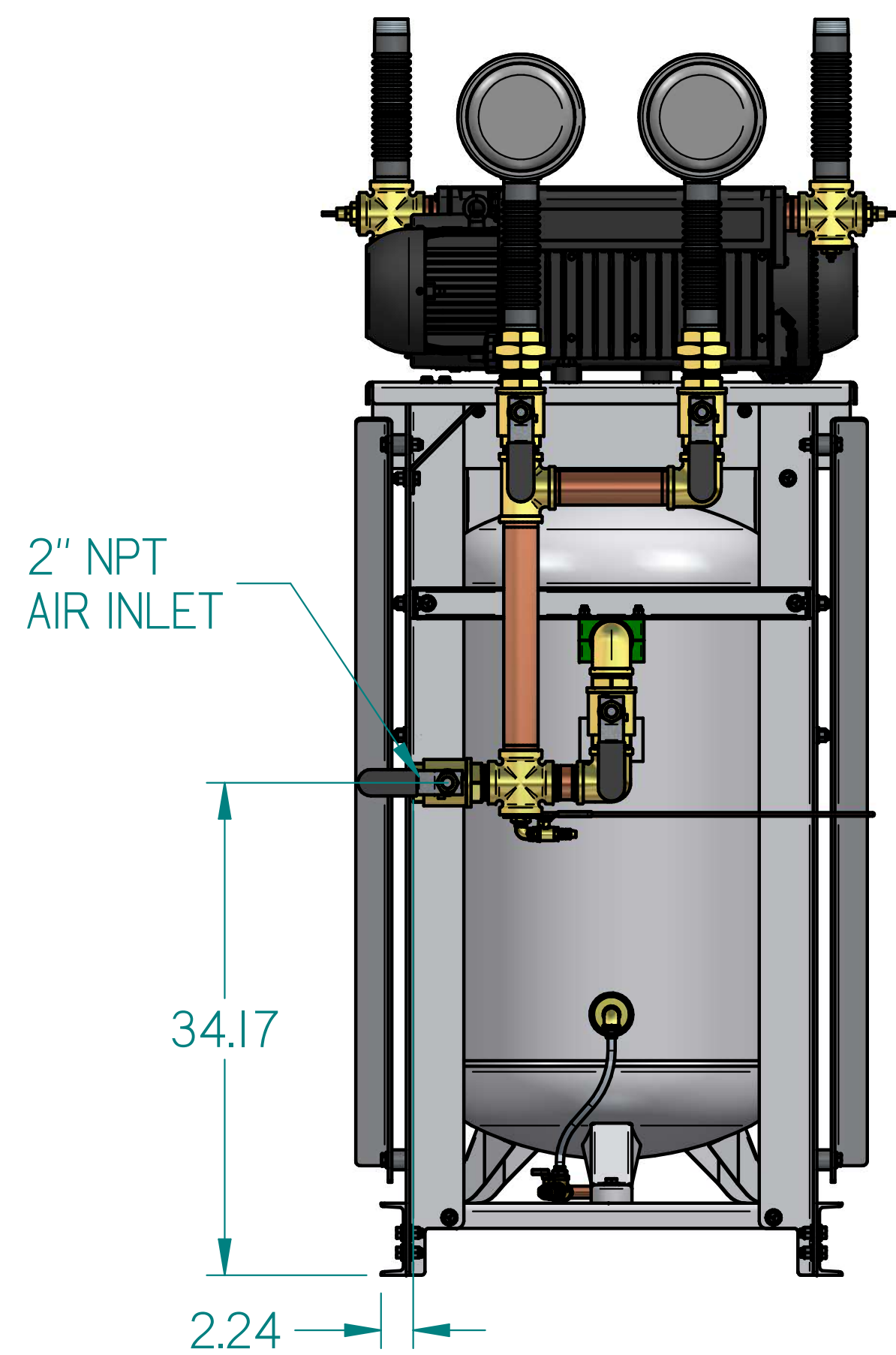
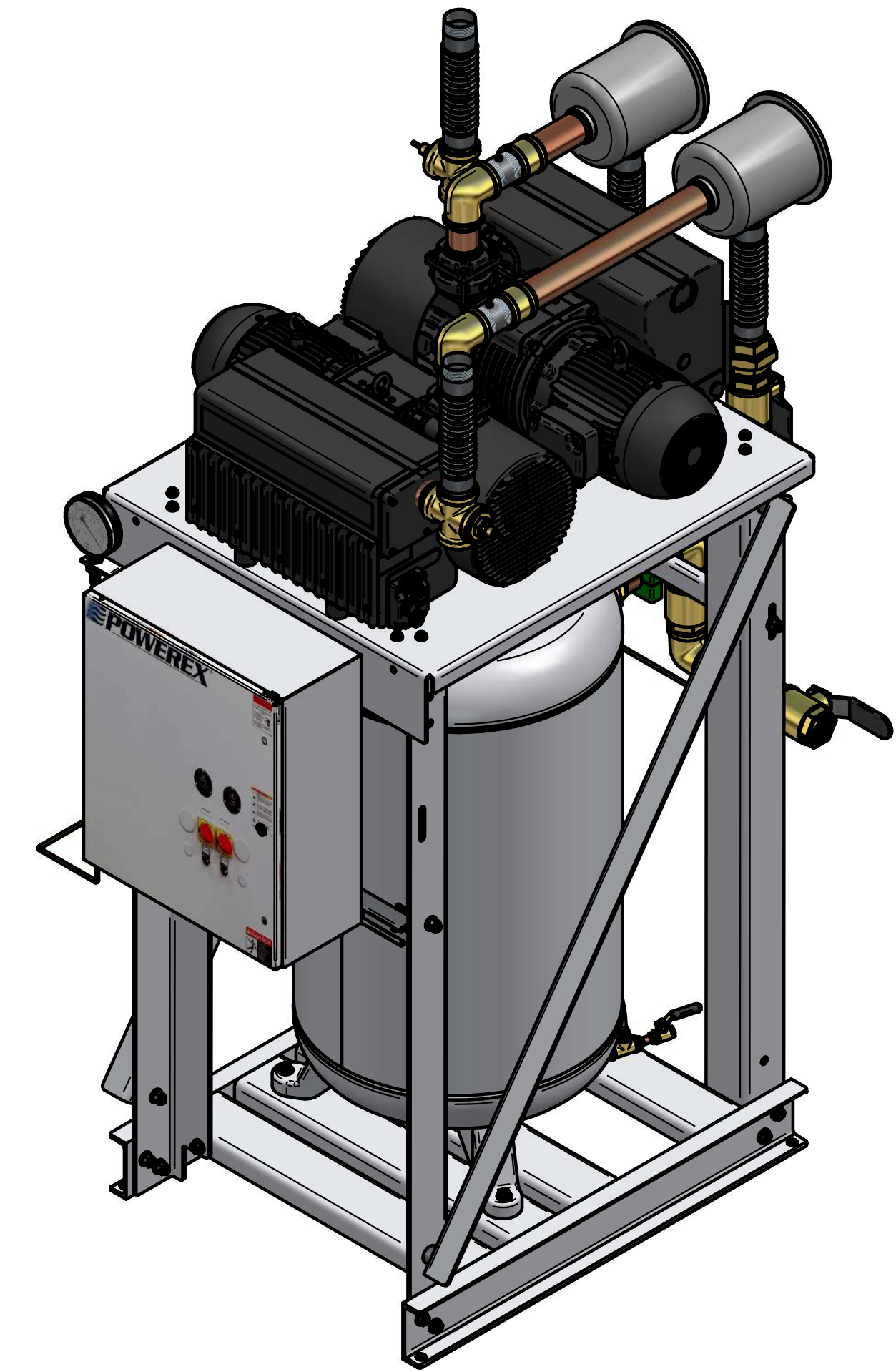
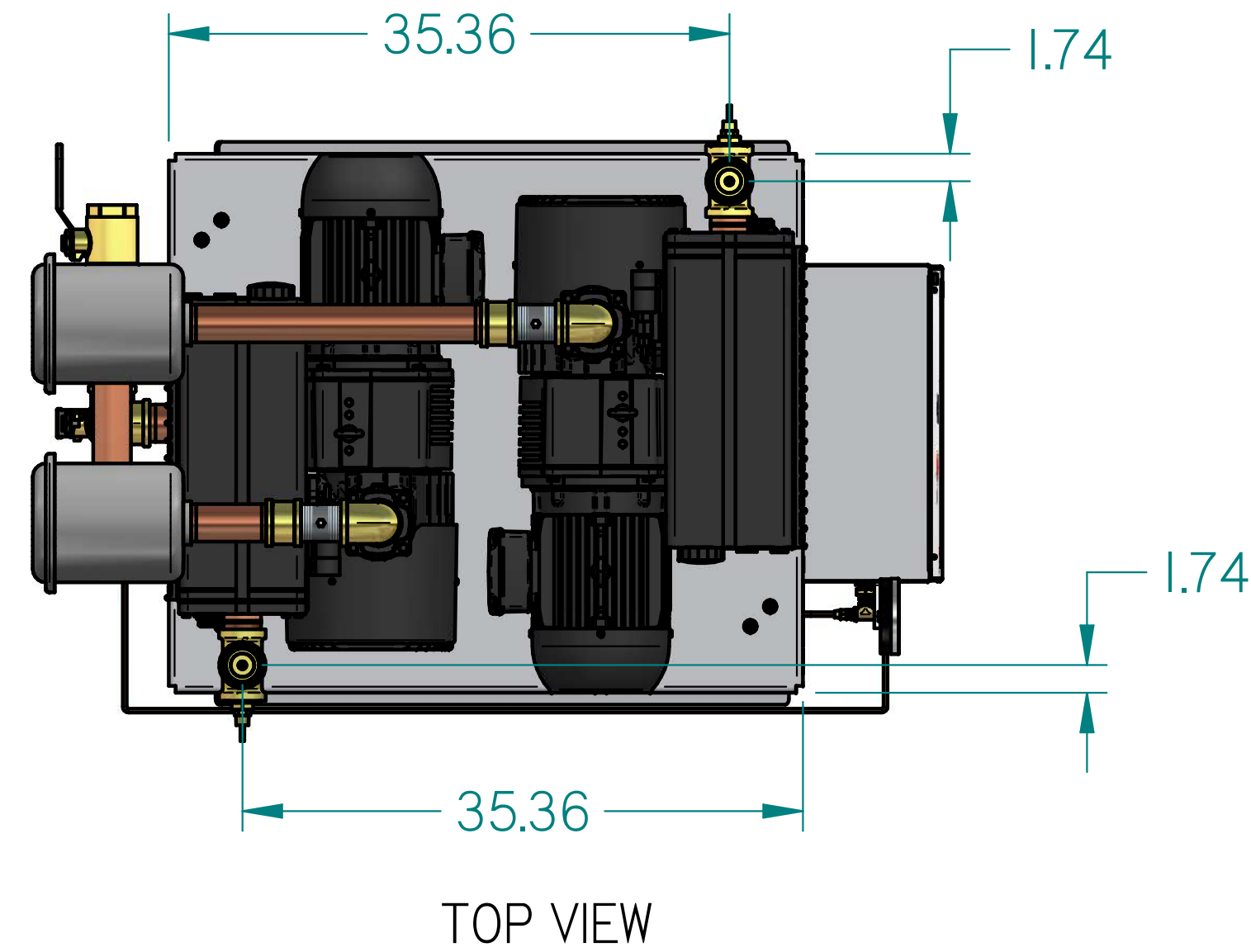


# VVTD0503KI

DUPLEX VACUUM 5HP 80 GAL VERT

REVISION NOTES		
DESCRIPTION	ECN	PR/NOR
3D RELEASE	PXEC026I	N/A



- NOTES:
- APPROXIMATE WEIGHT: 1147 lbm
  - A MINIMUM OF 24" CLEARANCE IS RECOMMENDED AROUND THE ENTIRE UNIT. CLEARANCE FOR CONTROL PANEL SHALL BE IN ACCORDANCE WITH OSHA/NEC REQUIREMENTS.
  - SYSTEM DESIGNED IN COMPLIANCE WITH U.S. NFPA '99, LATEST EDITION.

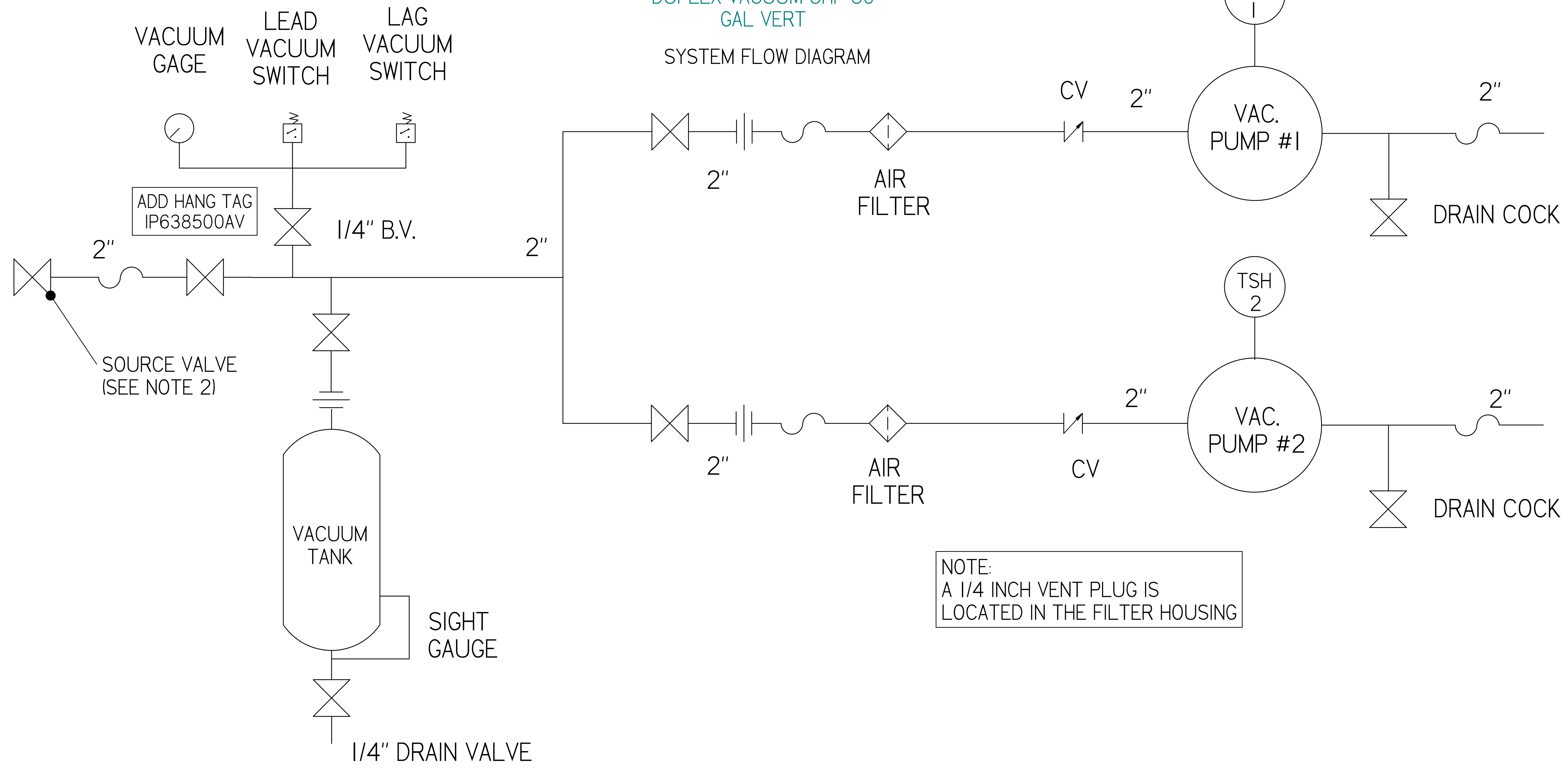
SYMBOL LEGEND		DRAWINGS TO CONFORM TO CURRENT REVISION OF THE FOLLOWING ANSI STANDARDS:	
TOLERANCES NOT SPECIFIED	SOLID EDGE DRAWING	Y14.3	MULTI AND SECTIONAL VIEW DWGS
0.00X ± .005		Y14.5	DIMENSIONING AND TOLERANCING
0.00X ± .005		INCH	SHEET 1 OF 2
SCALE	1:10	APPROVALS ON FILE IN PLM	
CONFIDENTIAL DISCLOSURE: This drawing is the property of POWEREX or the SCOTT FETTER COMPANY and is subject to return on demand. Its contents are confidential and must not be copied or submitted to outside parties for use or examination.		AUTHOR	ORIGINATION DATE
ITEM ID		TATA	10-01-2016
MATERIAL			
DESCRIPTION		DRAWING NUMBER	REVISION
DUPLEX VACUUM 5HP 80 GAL VERT		VVTD0503KI	
		SIZE	D

REVISION NOTES		
DESCRIPTION	ECN	PR/NOR
3D RELEASE	PXECO26I	N/A

# VVTD0503KI

DUPLEX VACUUM 5HP 80 GAL VERT

## SYSTEM FLOW DIAGRAM



NOTE:  
A 1/4 INCH VENT PLUG IS  
LOCATED IN THE FILTER HOUSING

### LEGEND

	TEMP. SWITCH		VACUUM SWITCH
	AIR FILTER		CHECK VALVE
	BALL VALVE		FLEX LINE
			UNION

NOTES:  
1) TSH - TEMPERATURE SWITCH HIGH  
2) PER NFPA THE SYSTEM WILL REQUIRE A SOURCE VALVE (SUPPLIED BY OTHERS)



SYMBOL LEGEND		DRAWINGS TO CONFORM TO CURRENT REVISION OF THE FOLLOWING ANSI STANDARDS: #14.3 MULTI AND SECTIONAL VIEW DWGS #14.5 DIMENSIONING AND TOLERANCING	
TOLERANCES NOT SPECIFIED	SOLID EDGE DRAWING	DO NOT SCALE DRAWING FOR DIMENSIONS	
0.001 ± .001	INCH	SHEET 2 OF 2	SCALE 1:1
CONFIDENTIAL DISCLOSURE This drawing is the property of POWEREX of the SCOTT FETTER COMPANY and is subject to return on demand. Its contents are confidential and must not be copied or submitted to outside parties for use or examination.		AUTHOR	APPROVALS ON FILE IN PLM
MATERIAL		TATA	0-01-2016
DESCRIPTION DUPLEX VACUUM 5HP 80 GAL VERT		DRAWING NUMBER VVTD0503KI	SIZE D