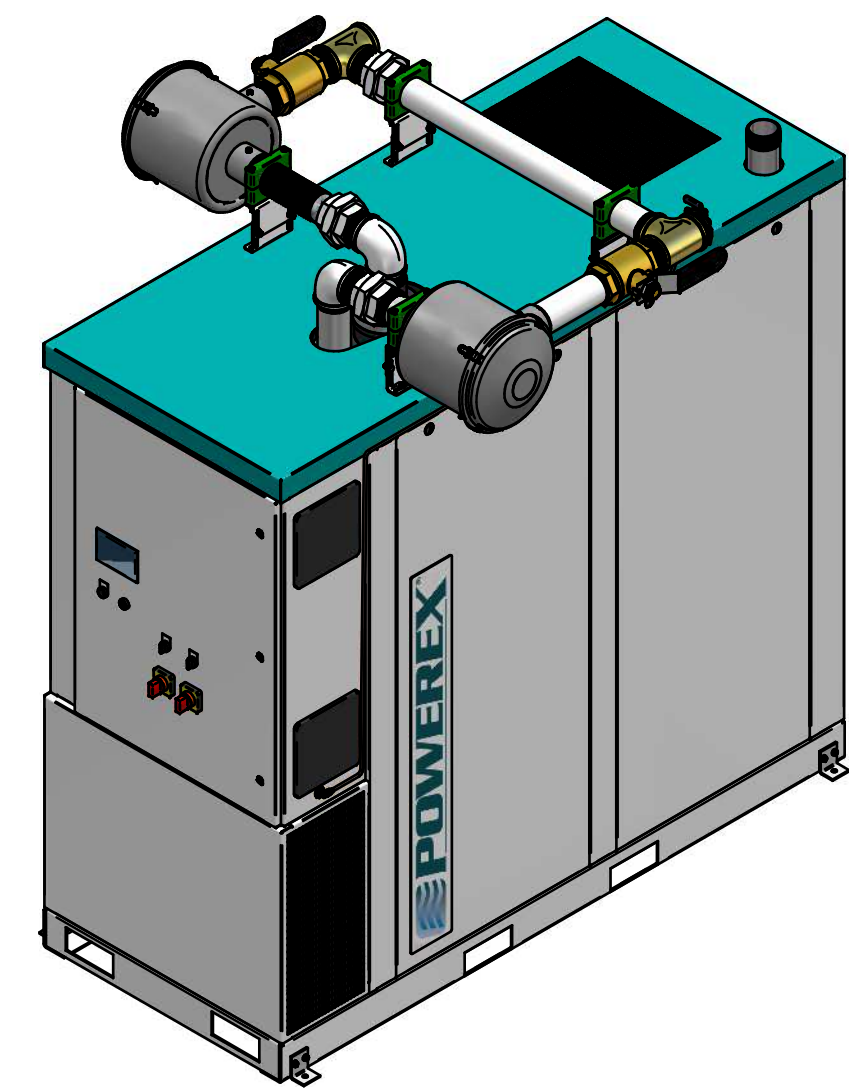
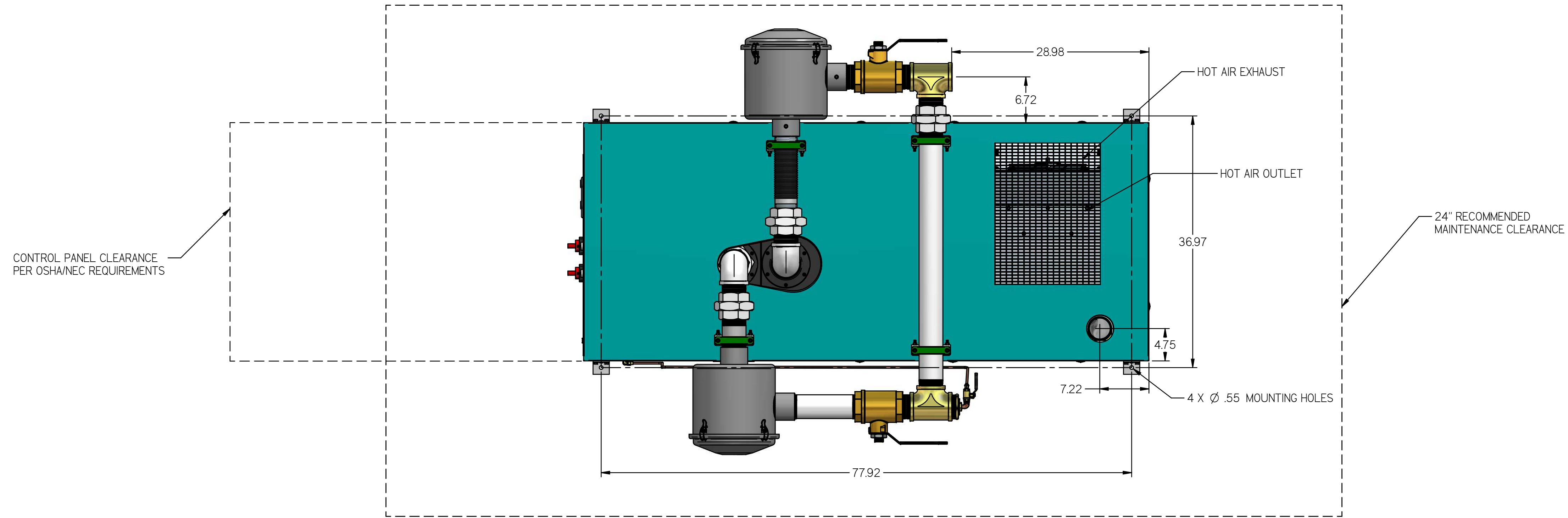


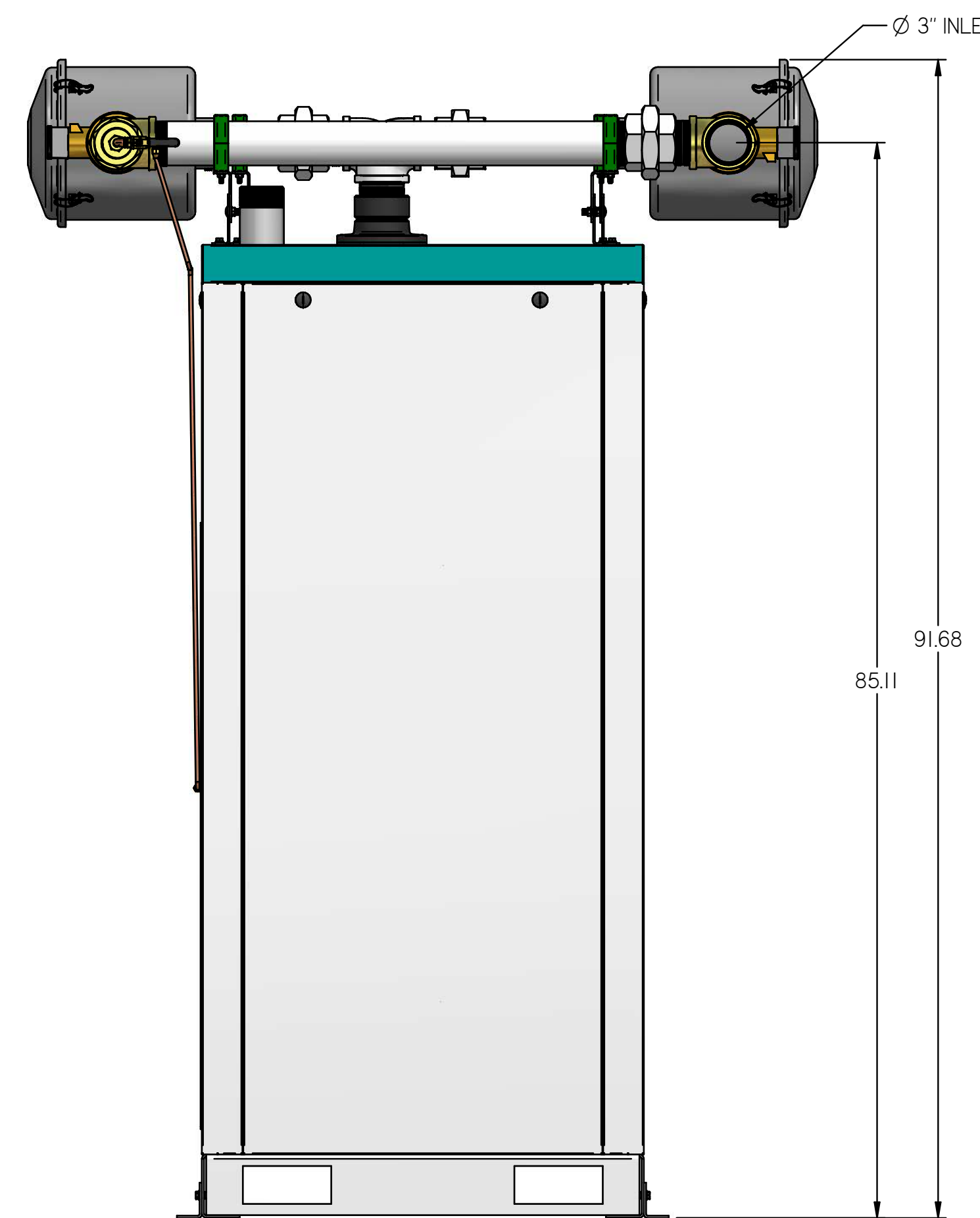
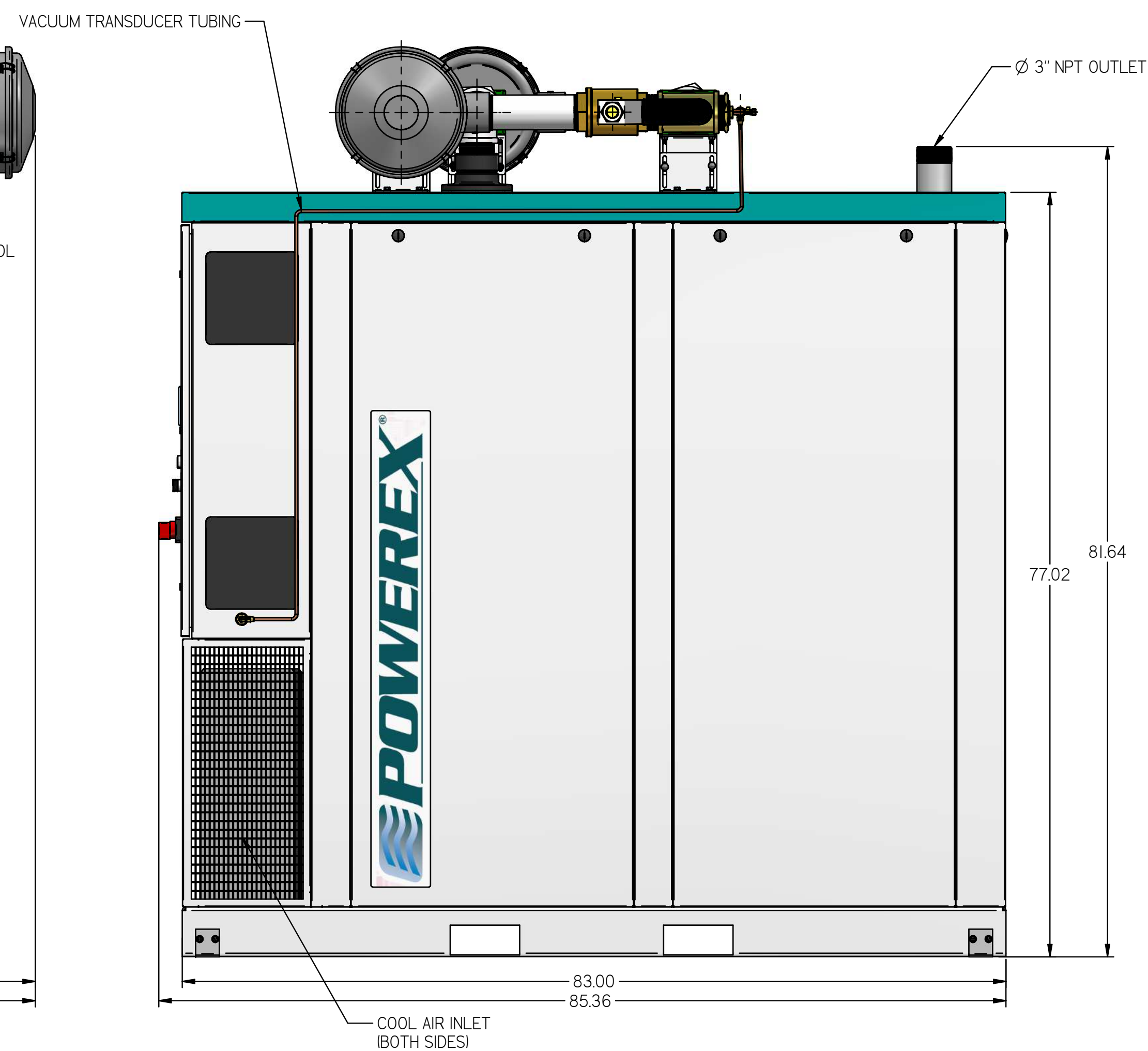
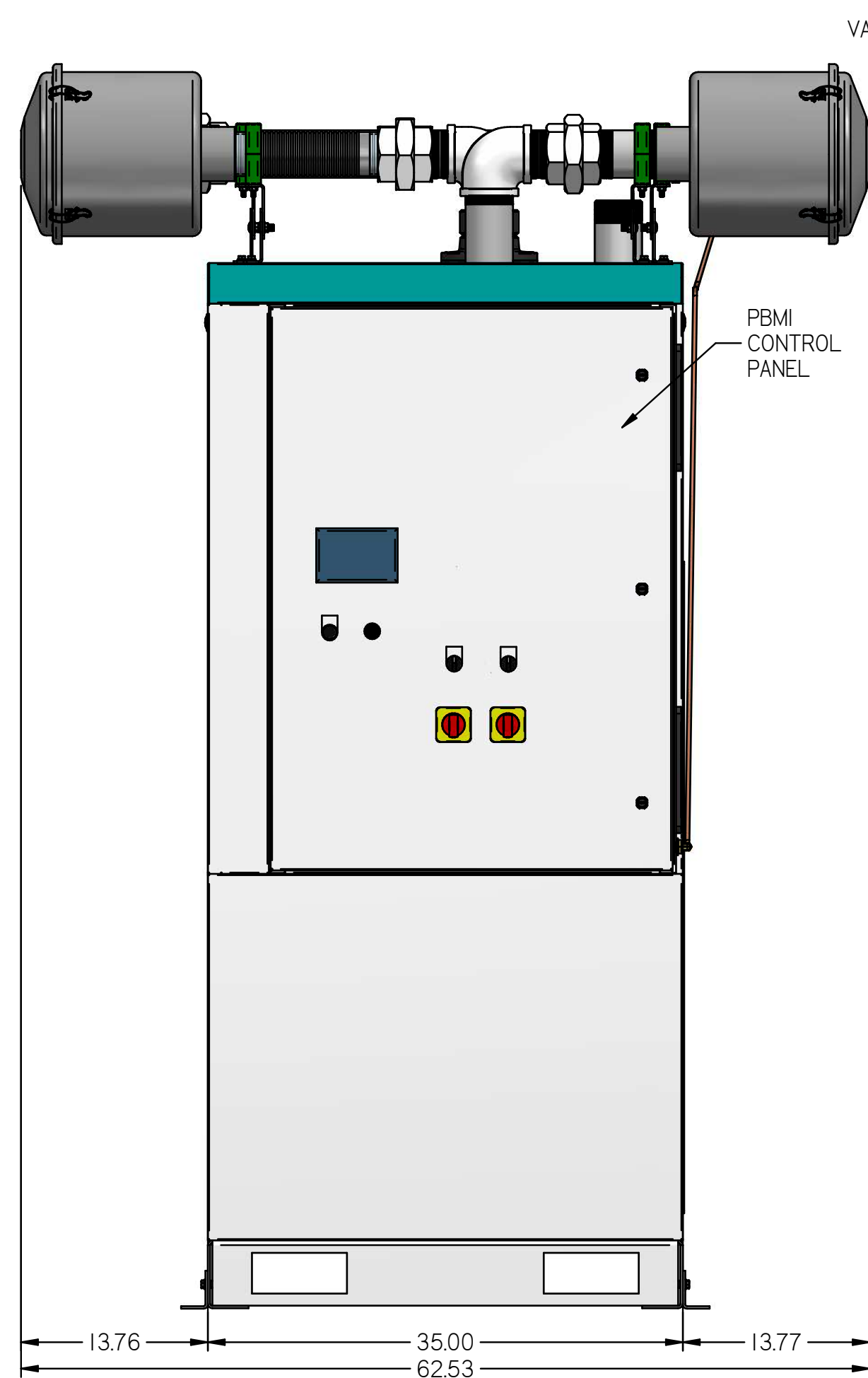
# LCEDI507

LAB CLAW ENCLOSED  
DUPLEX 15 HP WITH  
TRANSDUCER

REVISION NOTES		
DESCRIPTION	ECN	PR/NOR
PRODUCTION RELEASE	PXEC0099	N/A



1:20



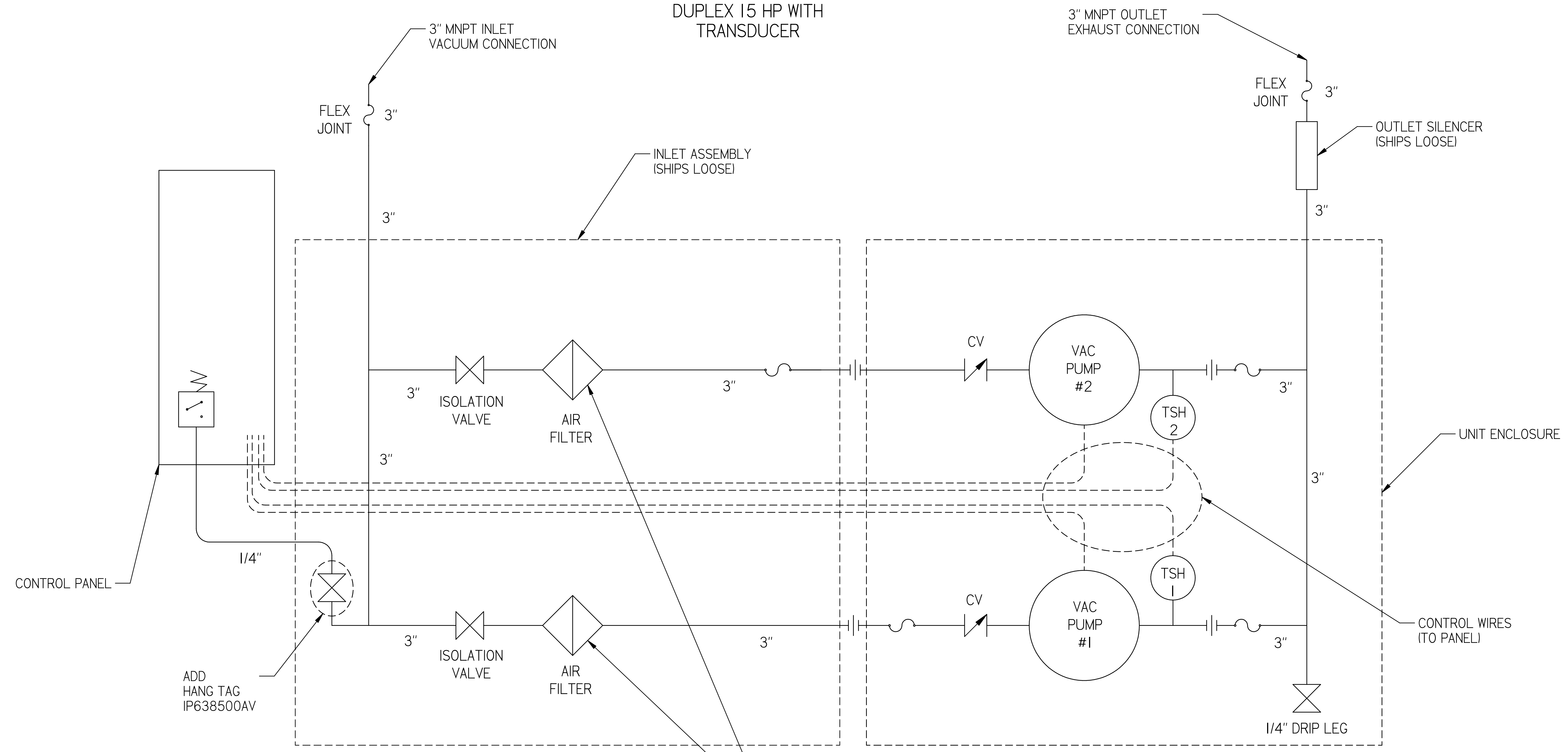
- NOTES:  
 1) APPROX SYSTEM WEIGHT: 3819 LB  
 2) FINAL SYSTEM DIMENSIONS DEPENDENT UPON INSTALLATION CONFIGURATION. MAINTENANCE CLEARANCE MUST BE MAINTAINED IN INSTALLATION CONFIGURATION.  
 3) SHEET 1: UNIT BUILD  
 4) SHEET 2: FLOW SCHEMATIC

SYMBOL LEGEND		DRAWINGS TO CONFORM TO CURRENT REVISION OF THE FOLLOWING ANSI STANDARDS:	
		Y14.3 MULTI AND SECTIONAL VIEW DIMS	Y14.5 DIMENSIONING AND TOLERANCING
TOLERANCES NOT SPECIFIED:	SOLID EDGE DRAWING	DO NOT SCALE DRAWING FOR DIMENSIONS	
0.XXX ± 0.10	INCH	SHEET 1 OF 2	SCALE 1:10
0.XXX ± 0.050			
± 0.5			
<small>CONFIDENTIAL DISCLOSURE</small> This drawing is the property of POWEREX of the SCOTT FETTER COMPANY and is subject to return on demand. Its contents are confidential and must not be copied or submitted to outside parties for use or examination.		AUTHOR	ORIGINATION DATE
		gseaver	2/4/2019
<small>CONFIDENTIAL DISCLOSURE</small> This drawing is the property of POWEREX of the SCOTT FETTER COMPANY and is subject to return on demand. Its contents are confidential and must not be copied or submitted to outside parties for use or examination.			
TITLE: 719757 MATERIAL: N/A	DESCRIPTION: LAB CLAW ENCLOSED DUPLEX 15 HP WITH TRANSDUCER	DRAWING NUMBER: LCEDI507	REVISION: A SIZE: D

REVISION NOTES		
DESCRIPTION	ECN	PR/NOR
PRODUCTION RELEASE	PXEC0099	N/A

# LCEDI507

LAB CLAW ENCLOSED  
 DUPLEX 15 HP WITH  
 TRANSDUCER



NOTE:  
 A 1/4" VENT PLUG IS  
 LOCATED EACH FILTER HOUSING

### LEGEND

	TEMP. SWITCH		VACUUM TRANSDUCER
	AIR FILTER		CHECK VALVE
	BALL VALVE		FLEX LINE
			UNION

- NOTES:
- 1) TSH - TEMPERATURE SWITCH HIGH.
  - 2) PER NFPA THE SYSTEM WILL REQUIRE A SOURCE VALVE (SUPPLIED BY OTHERS)
  - 3) OUTLET SILENCER AND FLEX HOSES SHIP LOOSE FOR FIELD INSTALLATION.
  - 4) INLET ASSEMBLY SHIPS LOOSE FOR FIELD INSTALLATION.

SYMBOL LEGEND		DRAWINGS TO CONFORM TO CURRENT REVISION OF THE FOLLOWING ANSI STANDARDS:	
TOLERANCES NOT SPECIFIED:		1:4:3 MULTI AND SECTIONAL VIEW DIMS	
0.0XX ± 0.10		1:4:3 DIMENSIONING AND TOLERANCING	
0.0XX ± 0.050		SHEET 2 OF 2	
0.5 ± 0.5		SCALE 1:10	
<small>CONFIDENTIAL DISCLOSURE</small> This drawing is the property of POWEREX of the SCOTT FETTER COMPANY and is subject to return on demand. Its contents are confidential and must not be copied or submitted to outside parties for use or examination.		<small>AUTHOR</small> gseaver	<small>ORIGINATION DATE</small> 2/4/2019
<small>APPROVALS ON FILE IN PLM</small>			
<small>ITEM NO.</small> 719757	<small>MATERIAL</small> N/A	<small>150 PRODUCTION DRIVE, HARRISON OH 45030</small> <small>888-768-7079</small>	<small>REVISION</small> A
<small>DESCRIPTION</small> LAB CLAW ENCLOSED DUPLEX 15 HP WITH TRANSDUCER	<small>DRAWING NUMBER</small> LCEDI507	<small>SIZE</small> A	<small>SIZE</small> D