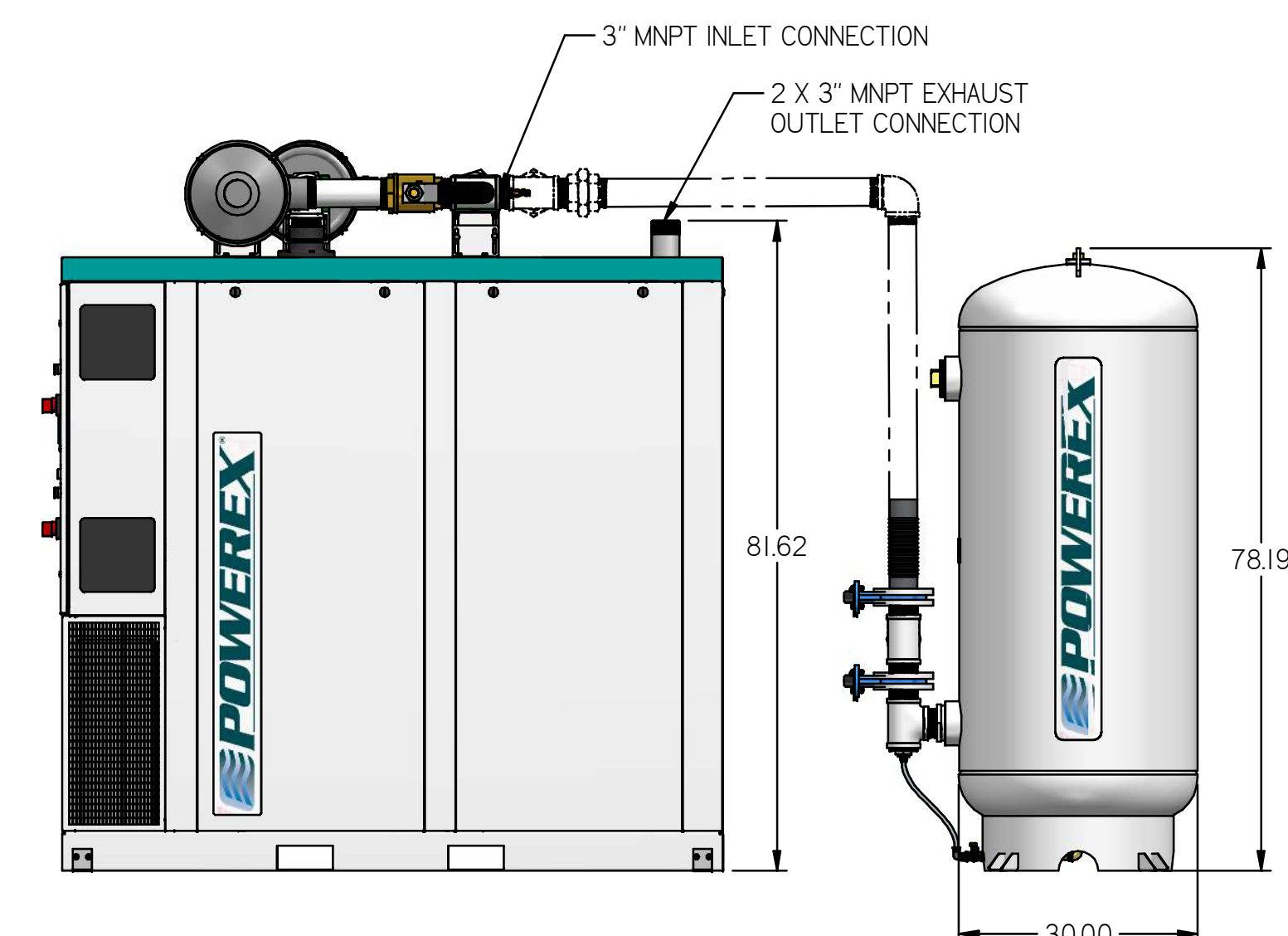
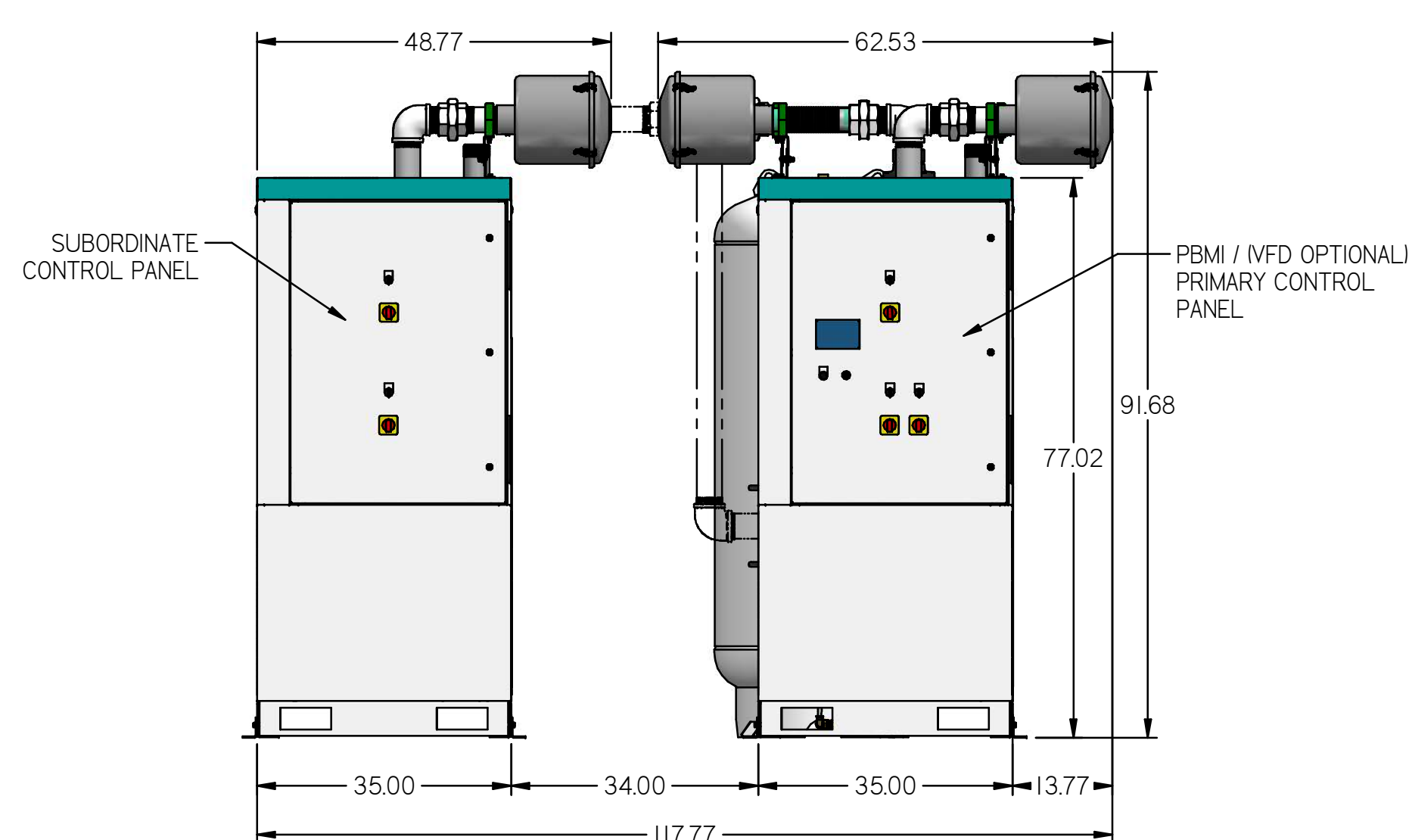
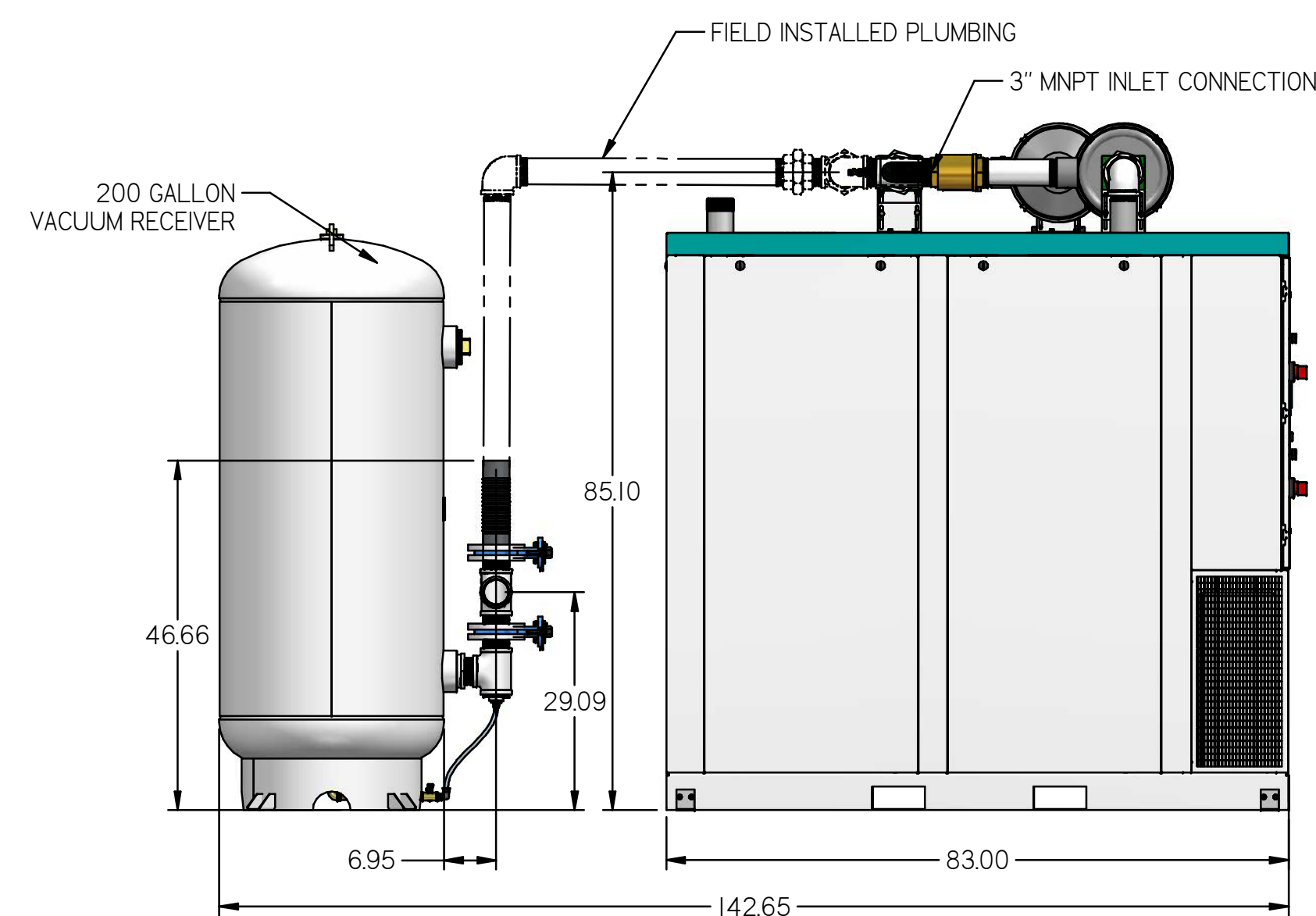
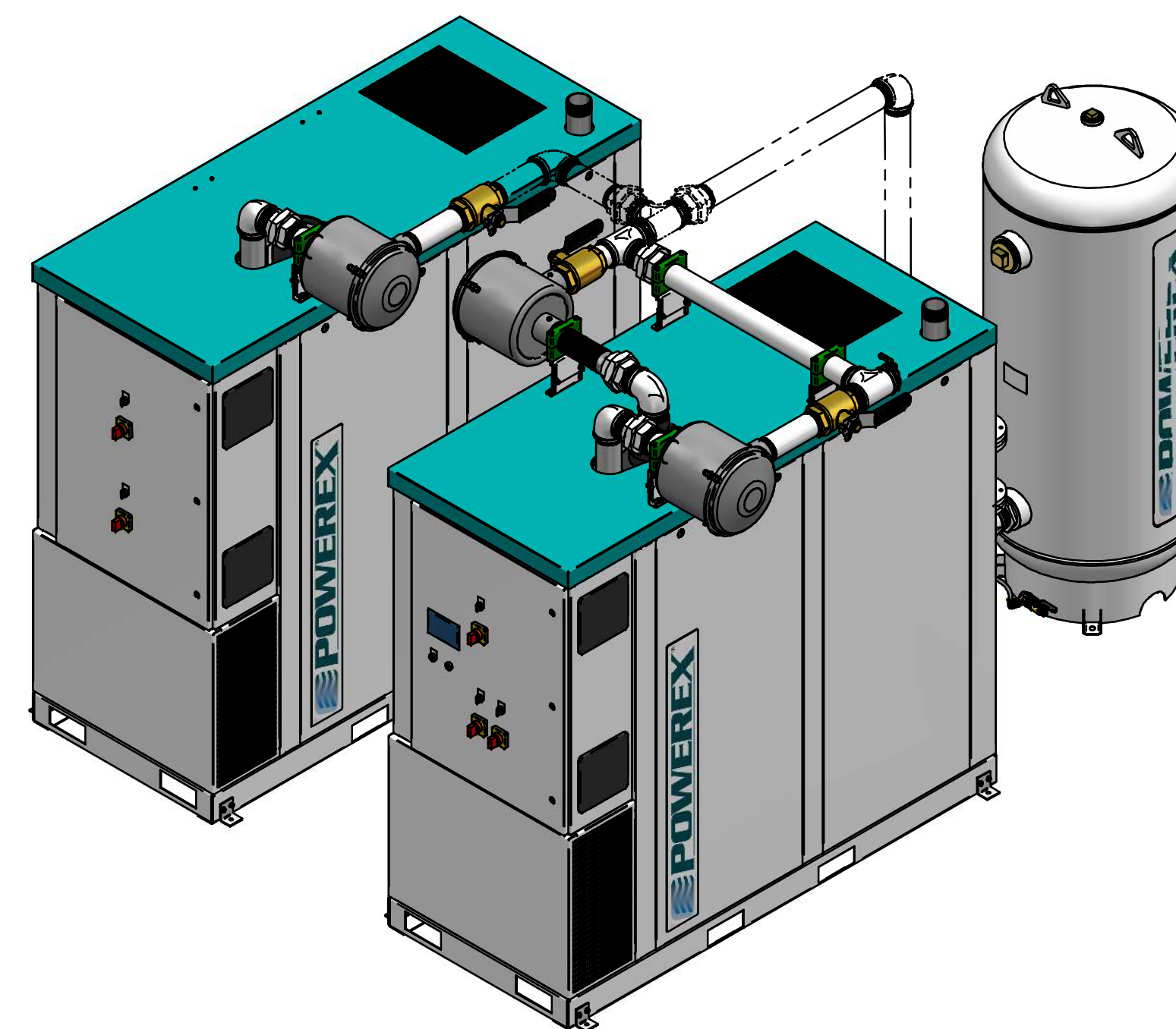
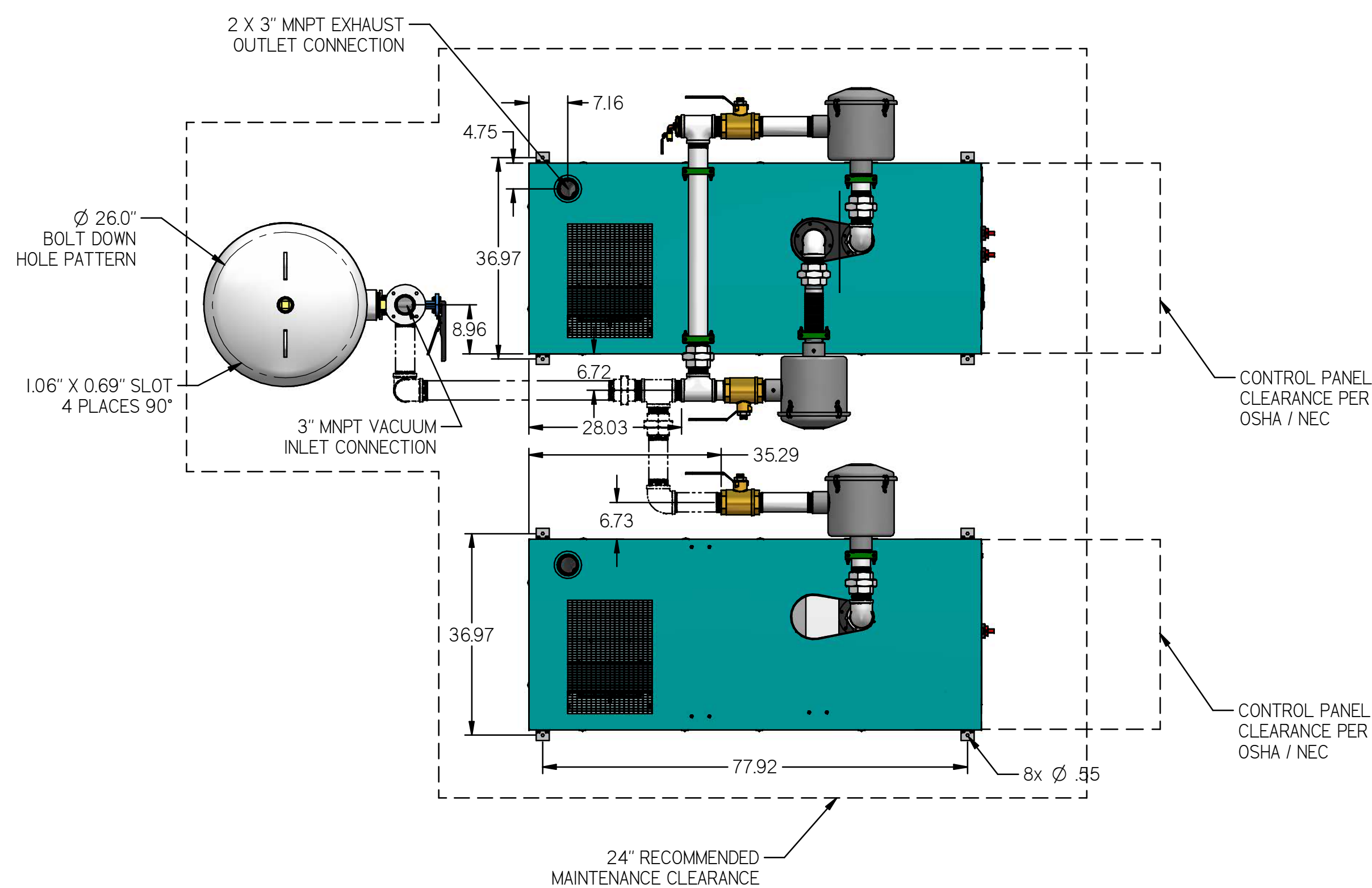


MCET1005

MED CLAW ENCLOSED TRIPLEX 10 HP 200 GAL

REVISION NOTES		
DESCRIPTION	ECN	PR/NOR
RELEASE TO PRODUCTION	PXEC0099	N/A



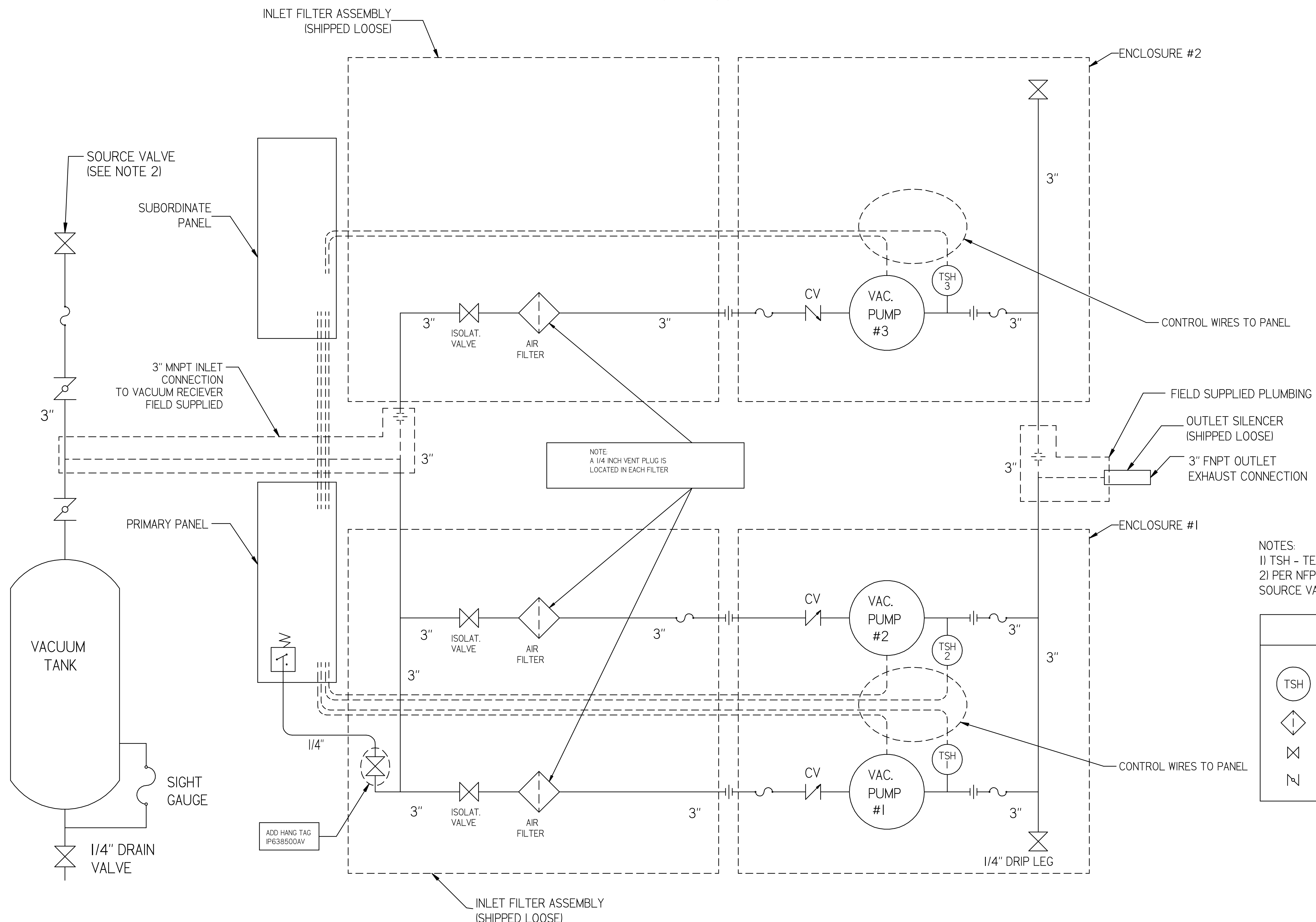
- NOTES:
- 1) APPROX SYSTEM WEIGHT: 6244 LB
 - 2) FINAL SYSTEM DIMENSIONS DEPENDENT UPON INSTALLATION CONFIGURATION. MAINTENANCE CLEARANCE MUST BE MAINTAINED IN INSTALLATION CONFIGURATION.
 - 3) SHEET 1: UNIT BUILD
 - 4) SHEET 2: FLOW SCHEMATIC

SYMBOL LEGEND		DRAWINGS TO CONFORM TO CURRENT REVISION OF THE FOLLOWING ANSI STANDARDS:		
TOLERANCES NOT SPECIFIED:	SOLID EDGE DRAWING	DO NOT SCALE DRAWING FOR DIMENSIONS		
0.XXX ± 0.010	INCH	SHEET 1 OF 2	SCALE 1:20	
0.XXX ± 0.050				
± 0.5				
<small>CONFIDENTIAL DISCLOSURE</small> This drawing is the property of POWEREX or the SCOTT FETTER COMPANY and is subject to return on demand. Its contents are confidential and must not be copied or submitted to outside parties for use or examination.		AUTHOR	ORIGINATION DATE	APPROVALS ON FILE IN PLM
TITLE: 718754 MATERIAL: N/A	DRAWING NUMBER: MCET1005	gseaver 11/30/18		ISO PRODUCTION DRIVE, HARRISON OH 45030 (888) 718-7279
DESCRIPTION: MED CLAW ENCLOSED TRIPLEX 10 HP 200 GAL	DRAWING NUMBER: MCET1005	REVISION: B	SIZE: D	

MCET1005

MED CLAW ENCLOSED TRIPLEX 10 HP 200 GAL

REVISION NOTES		
DESCRIPTION	ECN	PR/NOR
RELEASE TO PRODUCTION	PXEC0099	N/A



- NOTES:
- 1) TSH - TEMPERATURE SWITCH HIGH
 - 2) PER NFPA THE SYSTEM WILL REQUIRE A SOURCE VALVE (SUPPLIED BY OTHERS).

LEGEND	
	TEMP. SWITCH
	AIR FILTER
	BALL VALVE
	BUTTERFLY BALL VALVE
	VACUUM TRANSDUCER
	CHECK VALVE
	FLEX LINE
	UNION

SYMBOL LEGEND	STANDARDS	DRAWINGS TO CONFORM TO CURRENT REVISION OF THE FOLLOWING ANSI STANDARDS:	
TOLERANCES NOT SPECIFIED:	SOLID EDGE DRAWING	DO NOT SCALE DRAWING FOR DIMENSIONS	
0.XXX ± 0.010	INCH	SHEET 2 OF 2	
0.XXX ± 0.050			
± 0.5			
CONFIDENTIAL DISCLOSURE	AUTHOR	ORIGINATION DATE	APPROVALS ON FILE IN PLM
This drawing is the property of POWEREX of the SCOTT FETTER COMPANY and is subject to return on demand. Its contents are confidential and must not be copied or submitted to outside parties for use or examination.	gseaver	11/30/18	
ITEM #:			
MATERIAL:	150 PRODUCTION DRIVE, HARRISON OH 45030 888-768-7079		
DESCRIPTION:	DRAWING NUMBER:	REVISION:	SIZE:
MED CLAW ENCLOSED TRIPLEX 10 HP 200 GAL	MCET1005	B	D