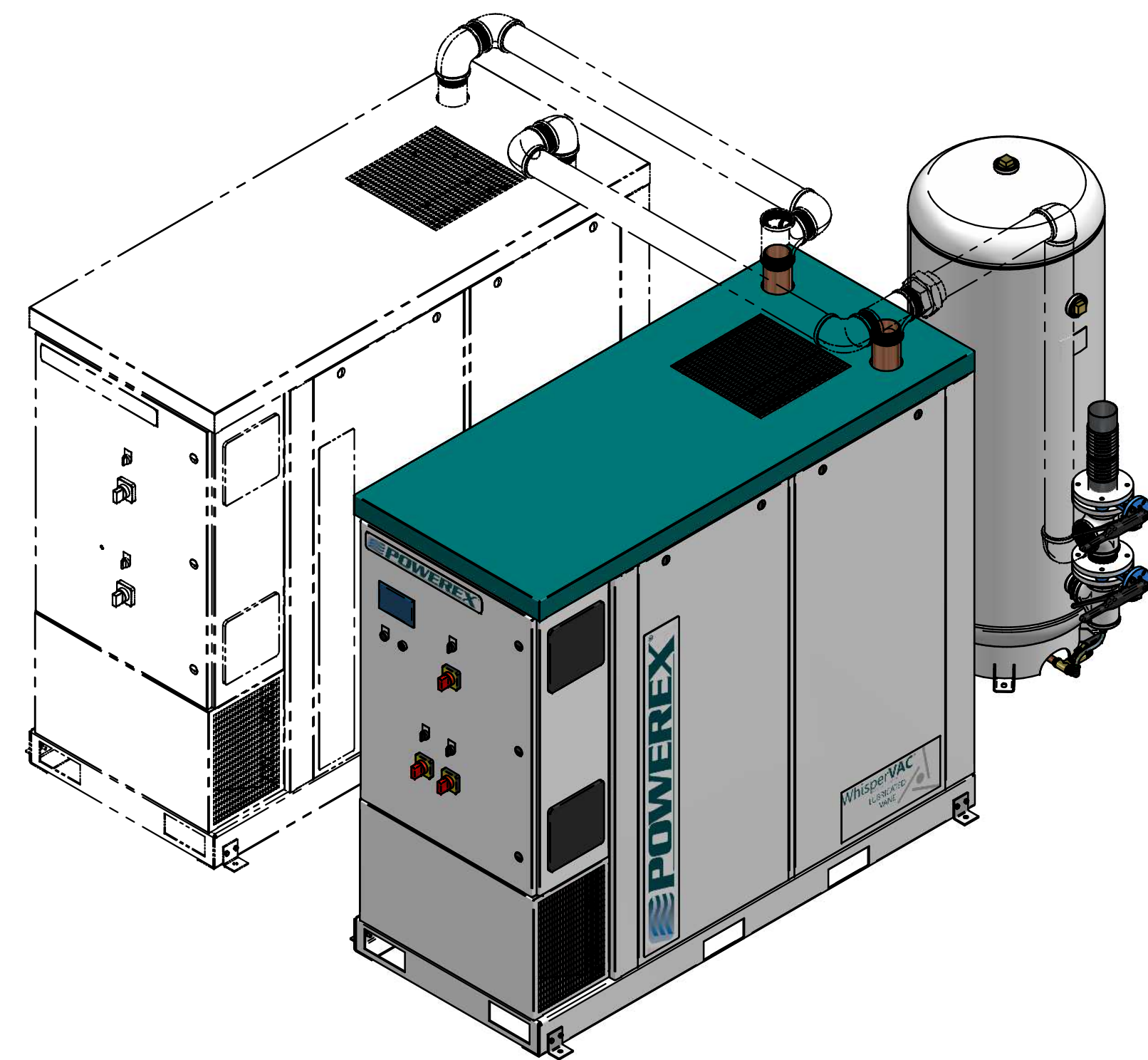


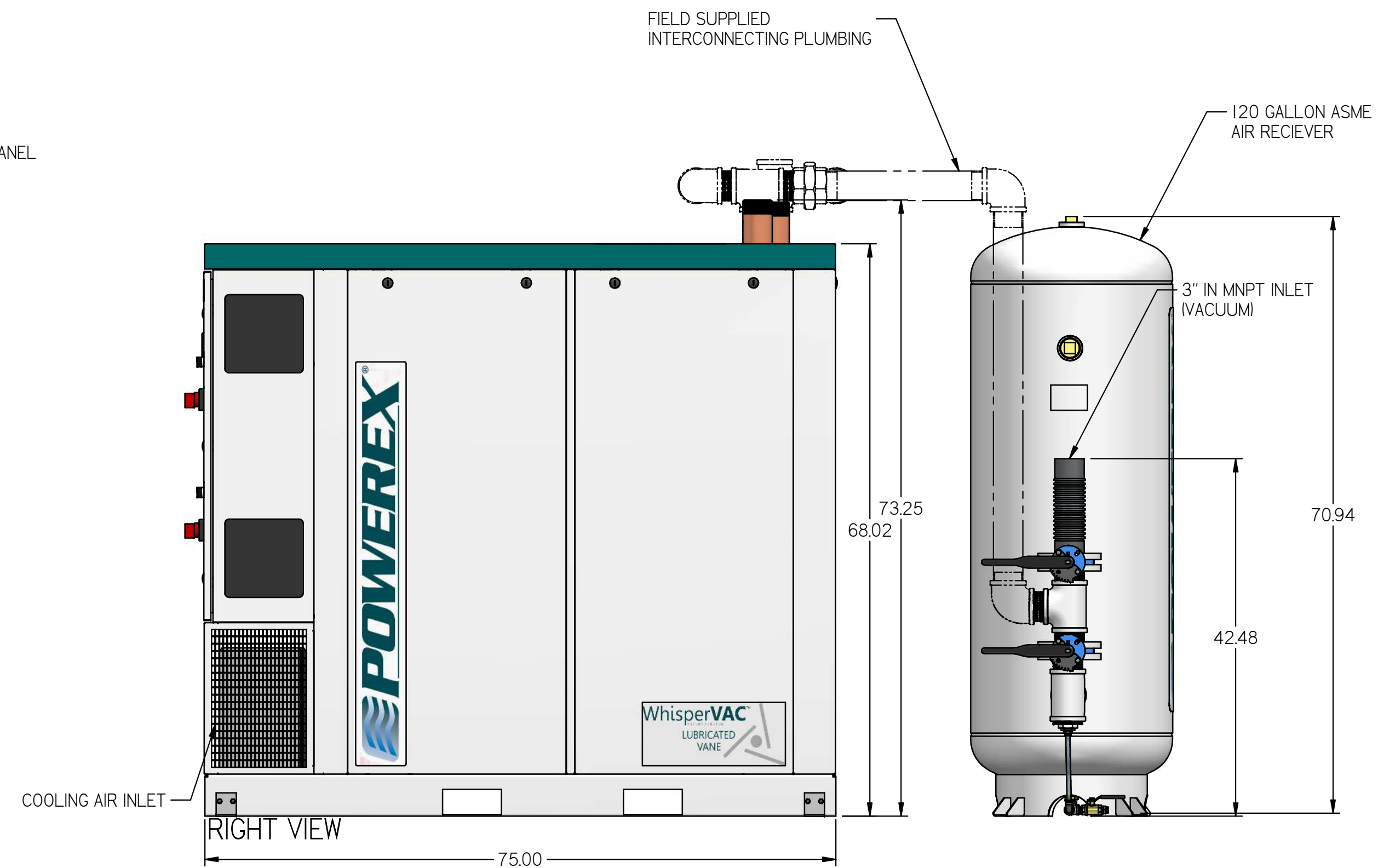
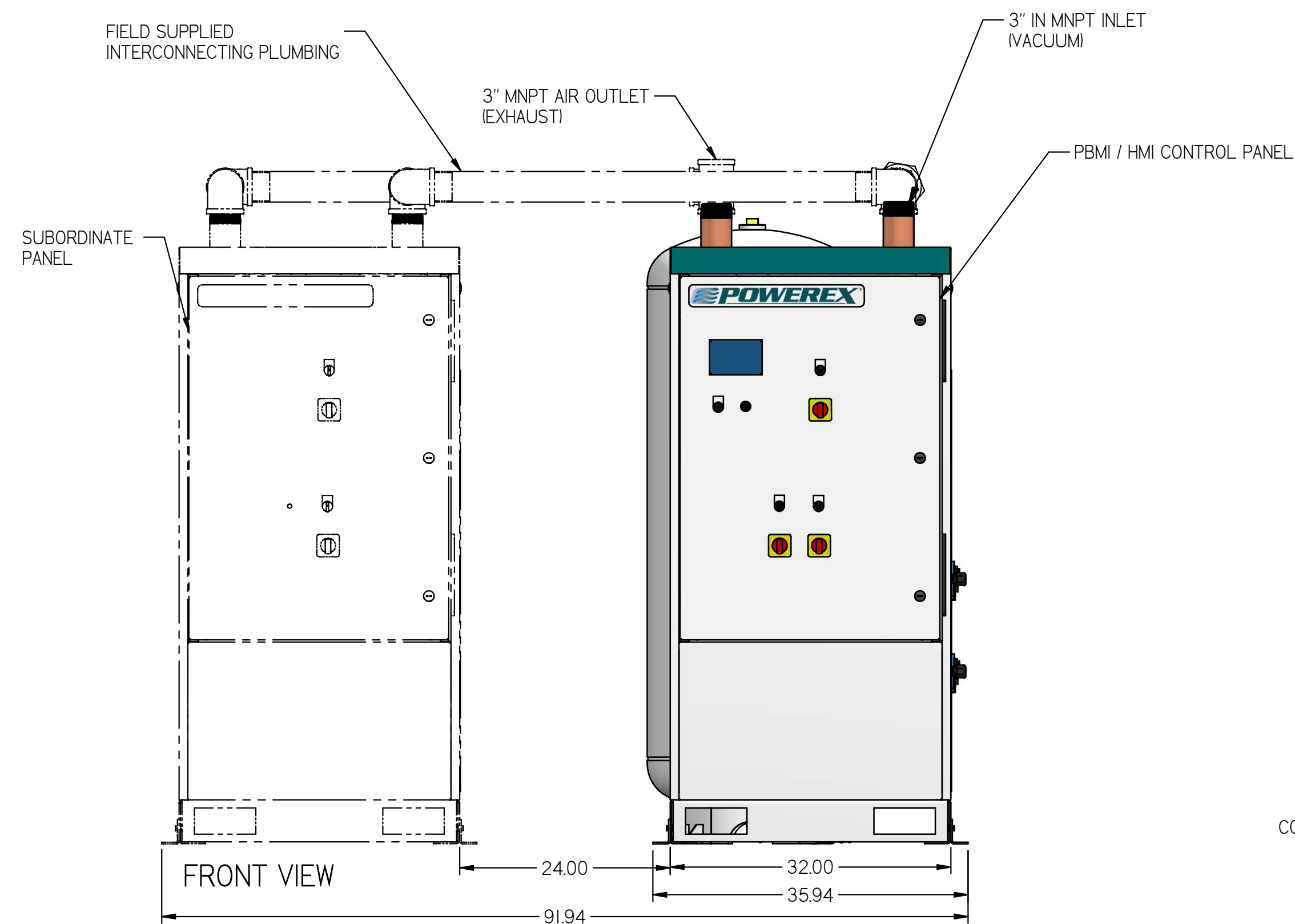
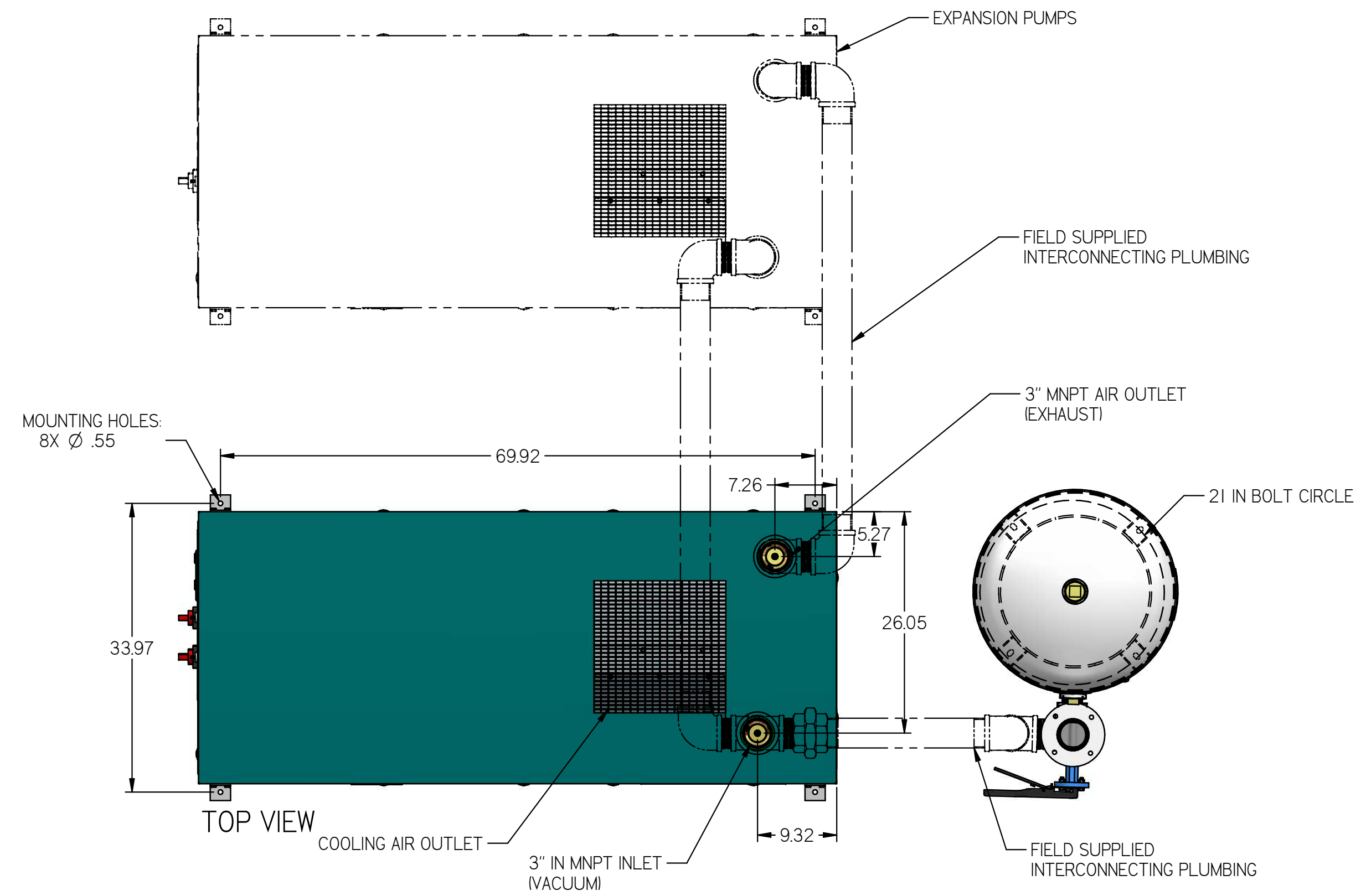
MVED0754-EX3

MEDICAL 7.5HP DUPLEX EXP
TO TRI VANE VACUUM
ENCLOSURE 120G TANK

REVISION NOTES		
DESCRIPTION	ECN	PR/NOR
PRODUCTION RELEASE	PXEC0099	N/A



ISO VIEW



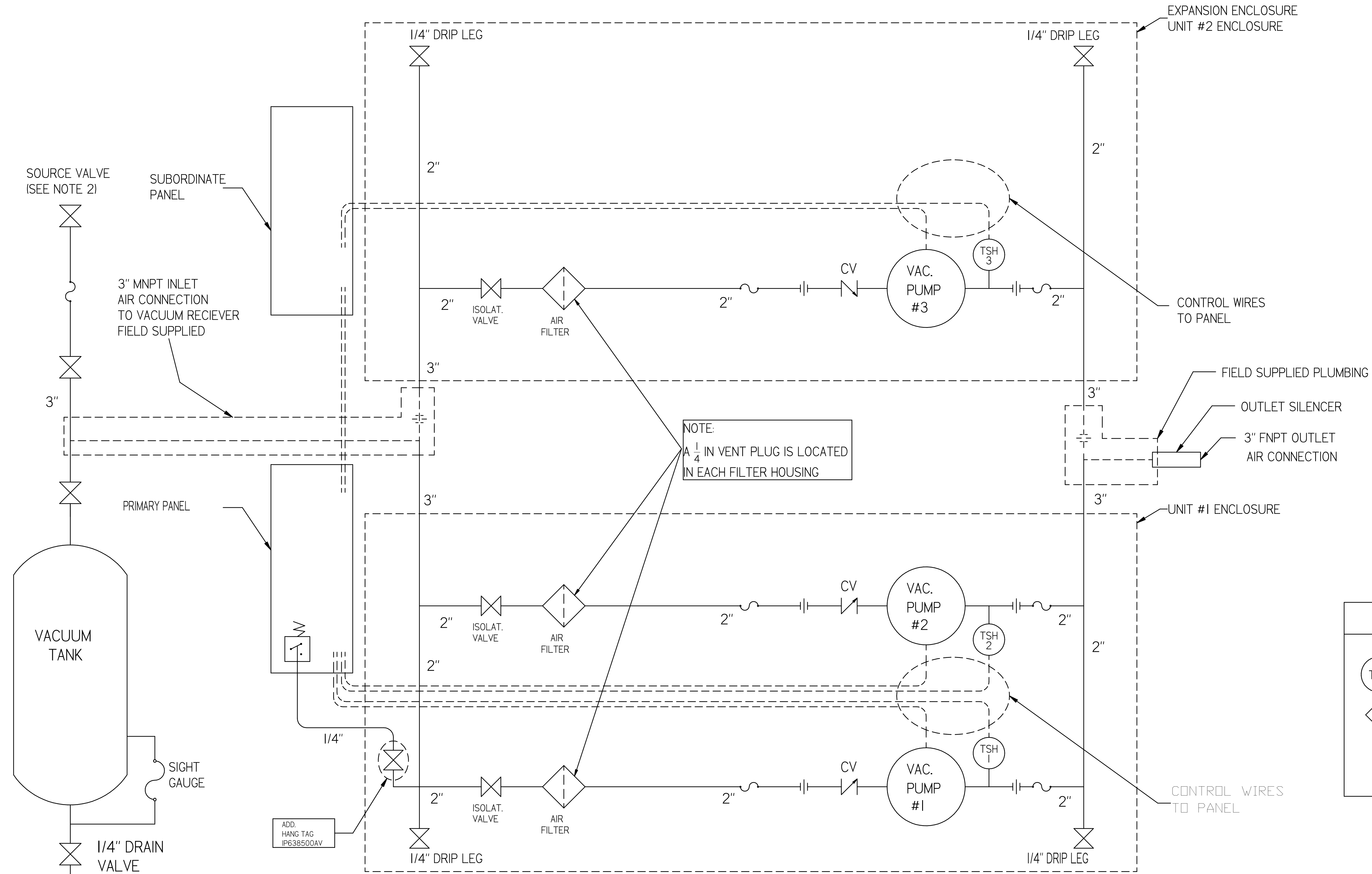
- NOTES:
- APPROX SYSTEM WEIGHT: 2313 LB
 - 24" MINIMUM MAINTENANCE CLEARANCE RECOMMENDED ALL SIDES. CLEARANCE FOR CONTROL PANEL SHALL BE IN ACCORDANCE WITH OSHA/NEC REQUIREMENTS

SYMBOL LEGEND		DRAWINGS TO CONFORM TO CURRENT REVISION OF THE FOLLOWING ANSI STANDARDS:	
TOLERANCES NOT SPECIFIED	SOLID EDGE DRAWING	DO NOT SCALE DRAWING FOR DIMENSIONS	
0.XXX ± .05	INCH	SHEET 1 OF 2	SCALE 1:1/2.5
0.XXX ± .005		APPROVALS ON FILE IN PLM	
<small>CONFIDENTIAL DISCLOSURE</small> This drawing is the property of POWEREX or the SCOTT FETTER COMPANY and is subject to return on demand. Its contents are confidential and must not be copied or submitted to outside parties for use or examination.		AUTHOR	ORIGINATION DATE
<small>CONFIDENTIAL DISCLOSURE</small> This drawing is the property of POWEREX or the SCOTT FETTER COMPANY and is subject to return on demand. Its contents are confidential and must not be copied or submitted to outside parties for use or examination.		ASoulek	2/6/2019
TITLE: 717822			
MATERIAL: SEE COMPONENT DRAWINGS		150 PRODUCTION DRIVE, HARRISON OH 45030 (888) 768-7079	
DESCRIPTION: MEDICAL 7.5HP DUPLEX EXP TO TRI VANE VACUUM ENCLOSURE 120G TANK		DRAWING NUMBER	REVISION
		MVED0754-EX3	B
			D

MVED0754-EX3

MEDICAL 7.5HP DUPLEX EXP
TO TRI VANE VACUUM
ENCLOSURE 120G TANK

REVISION NOTES		
DESCRIPTION	ECN	PR/NOR
PRODUCTION RELEASE	PXEC0099	N/A



NOTE:
A 1/4 IN VENT PLUG IS LOCATED
IN EACH FILTER HOUSING

LEGEND	
(TSH)	TEMP. SWITCH
(diamond with I)	AIR FILTER
(X)	BALL VALVE
(square with wavy line)	VACUUM TRANSDUCER
(diagonal line)	CHECK VALVE
(wavy line)	FLEX LINE
(two parallel lines)	UNION

NOTES:
1) TSH - TEMPERATURE SWITCH HIGH
2) PER NFPA THE SYSTEM WILL REQUIRE A
SOURCE VALVE (SUPPLIED BY OTHERS).

SYMBOL LEGEND		DRAWINGS TO CONFORM TO CURRENT REVISION OF THE FOLLOWING ANSI STANDARDS:	
TOLERANCES NOT SPECIFIED:	SOLID EDGE DRAWING	DO NOT SCALE DRAWING FOR DIMENSIONS	
0.000 + .005	INCH	SHEET 2 OF 2	SCALE 1:1
0.000 + .005			
<small>CONFIDENTIAL DISCLOSURE</small> This drawing is the property of POWEREX or the SCOTT FETTER COMPANY and is subject to return on demand. Its contents are confidential and must not be copied or submitted to outside parties for use or examination.		AUTHOR	APPROVALS ON FILE IN PLM
PROJECT: 717822		ASoulek	2/6/2019
<small>CONFIDENTIAL DISCLOSURE</small> This drawing is the property of POWEREX or the SCOTT FETTER COMPANY and is subject to return on demand. Its contents are confidential and must not be copied or submitted to outside parties for use or examination.			
DESCRIPTION: MEDICAL 7.5HP DUPLEX EXP TO TRI VANE VACUUM ENCLOSURE 120G TANK	DRAWING NUMBER: MVED0754-EX3	REVISION: B	SIZE: D