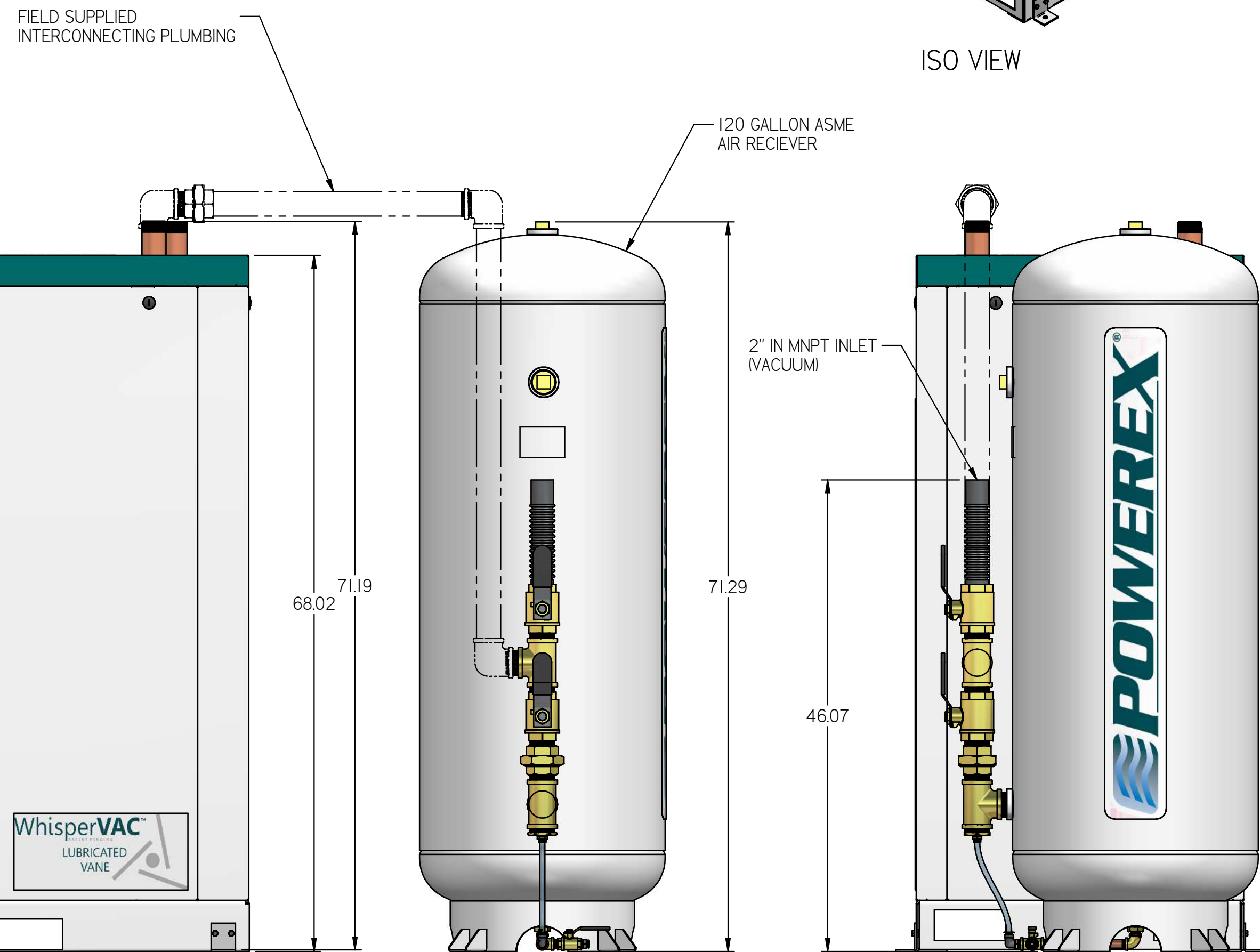
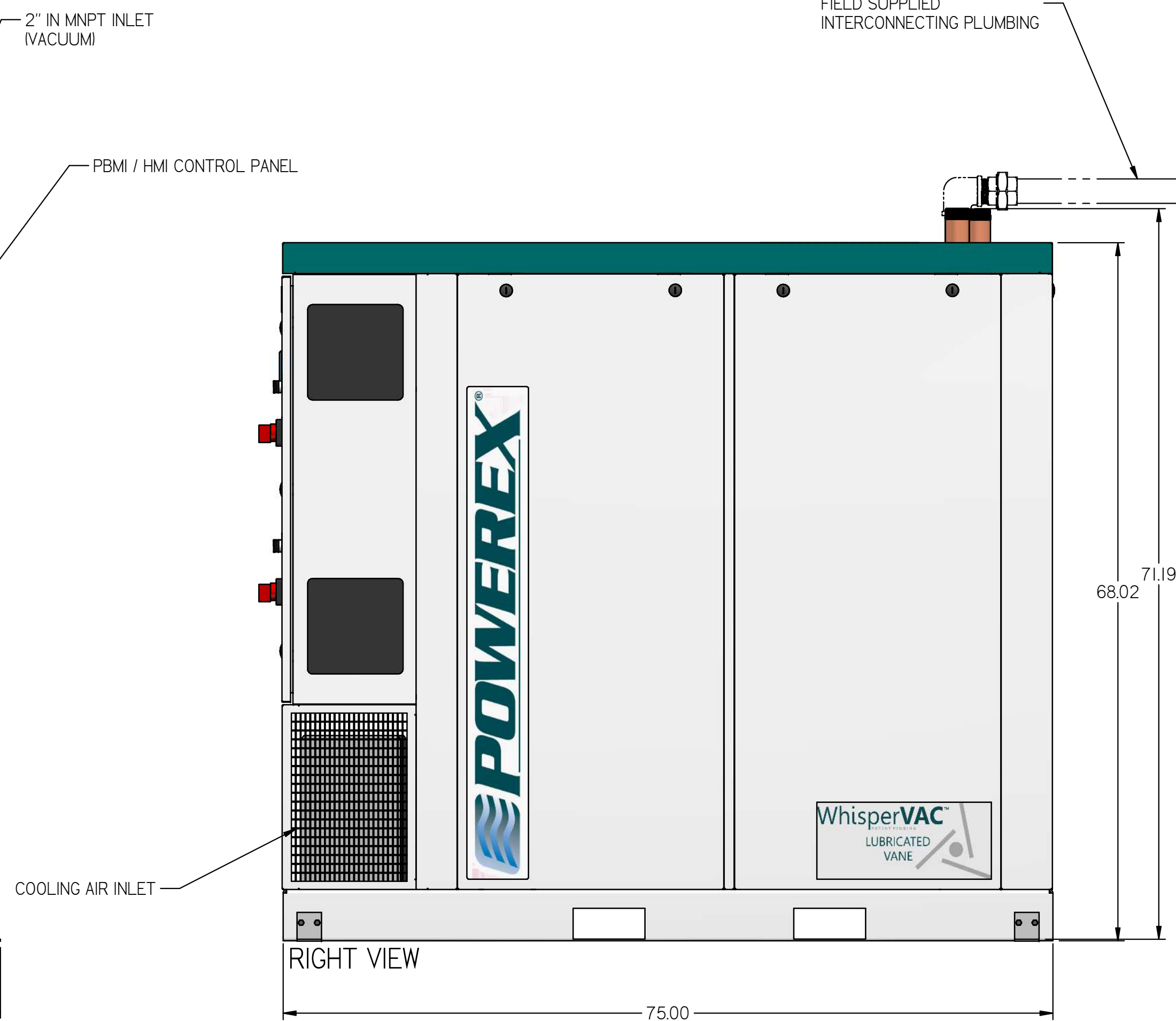
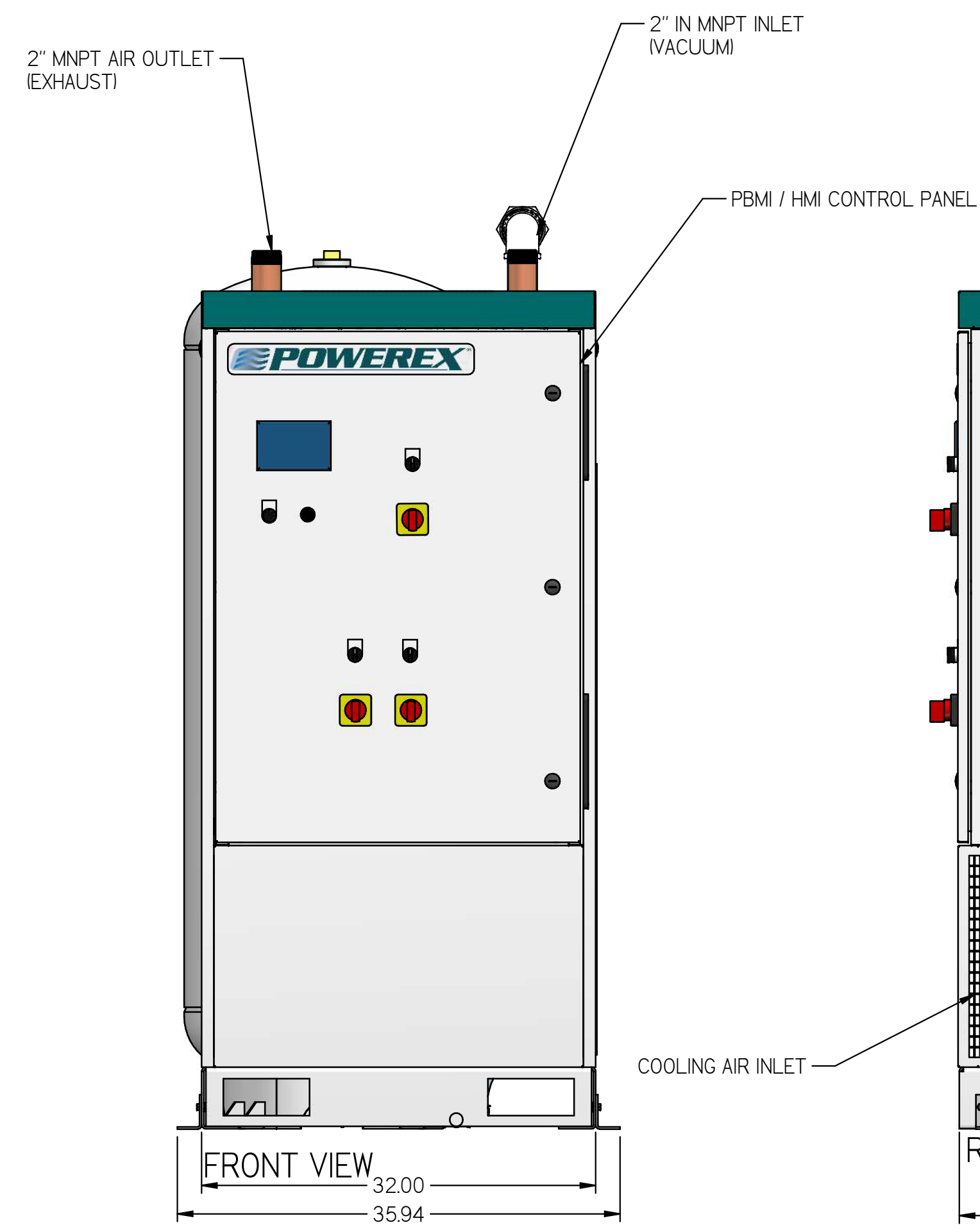
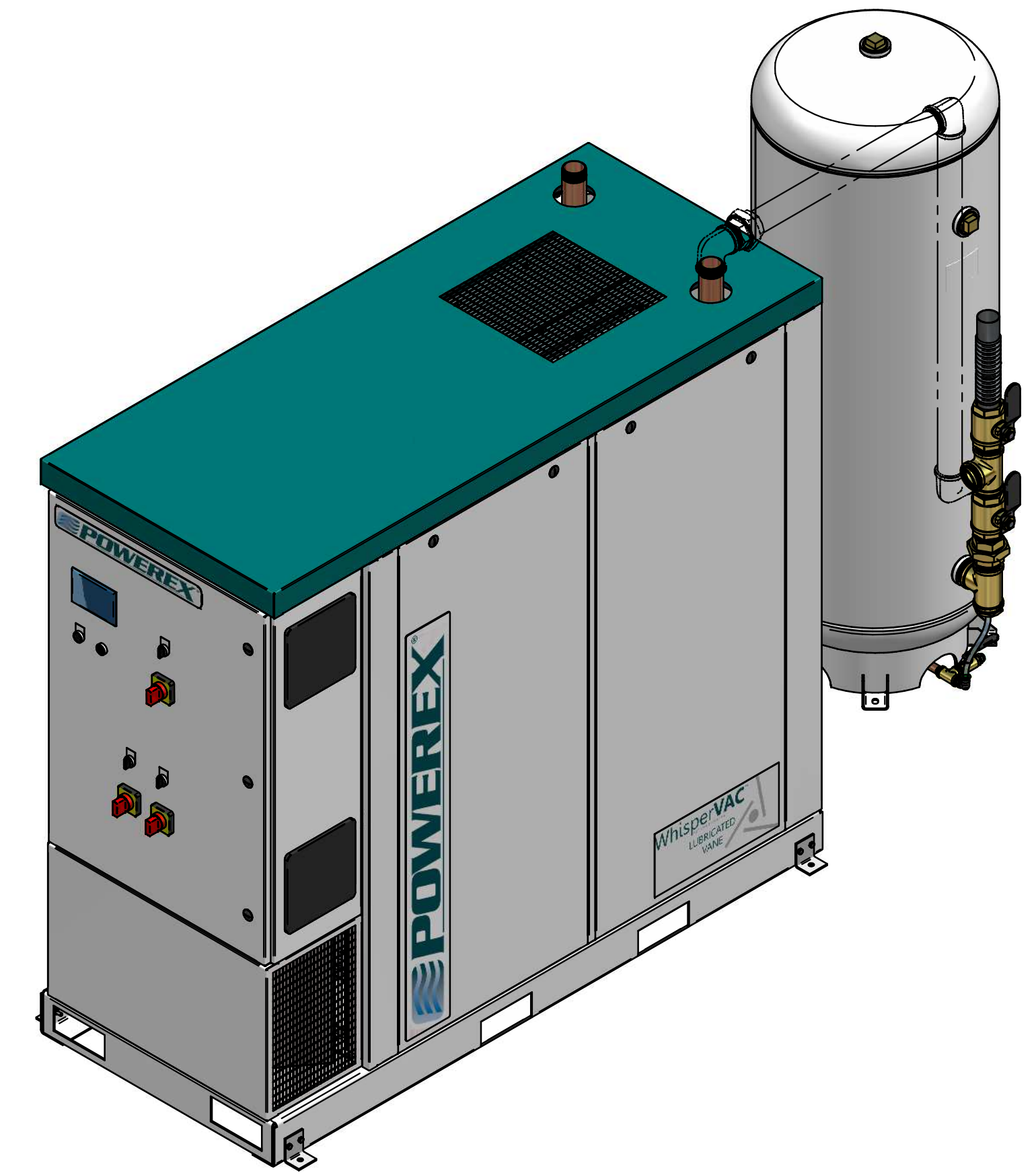
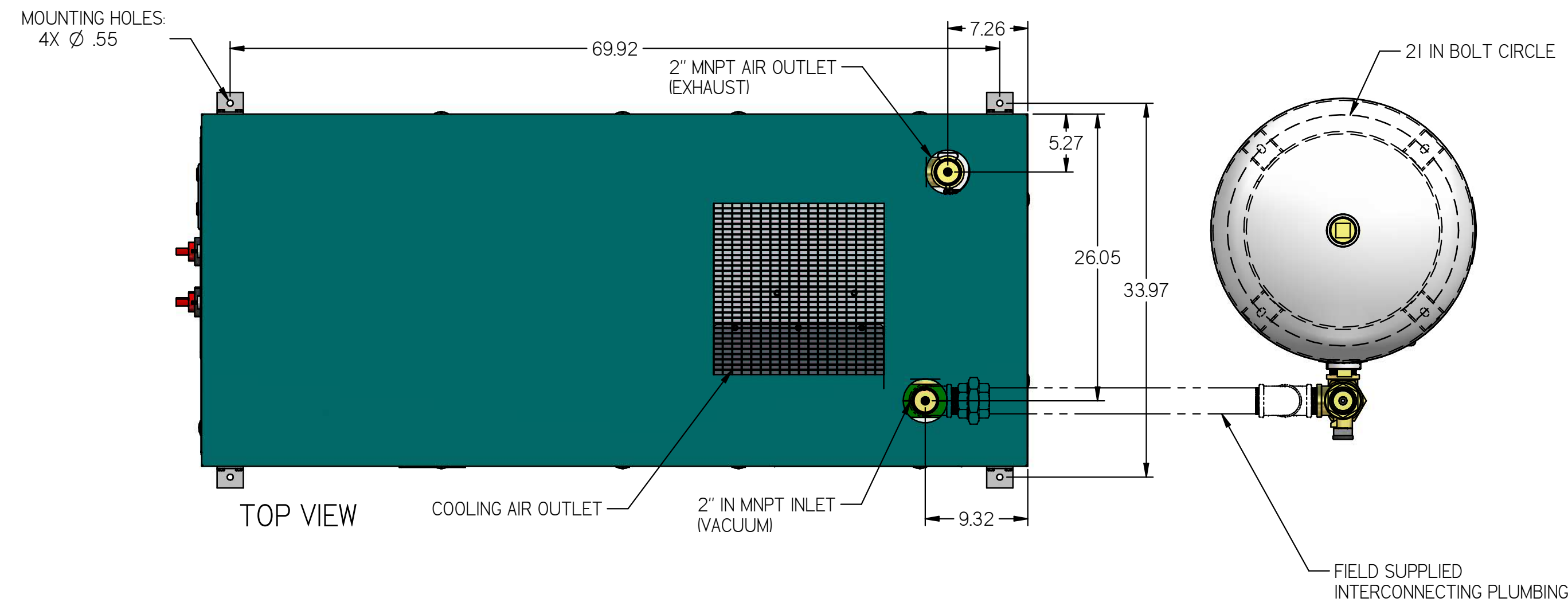


# MVED0754

MEDICAL 7.5 HP DUPLEX  
VANE VACUUM ENCLOSURE  
120G TANK

REVISION NOTES		
DESCRIPTION	ECN	PR/NOR
PRODUCTION RELEASE	PXEC0099	N/A



- NOTES:  
 1. APPROX SYSTEM WEIGHT: 2242 LB  
 2. 24" MINIMUM MAINTENANCE CLEARANCE RECOMMENDED ALL SIDES. CLEARANCE FOR CONTROL PANEL SHALL BE IN ACCORDANCE WITH OSHA/NEC REQUIREMENTS

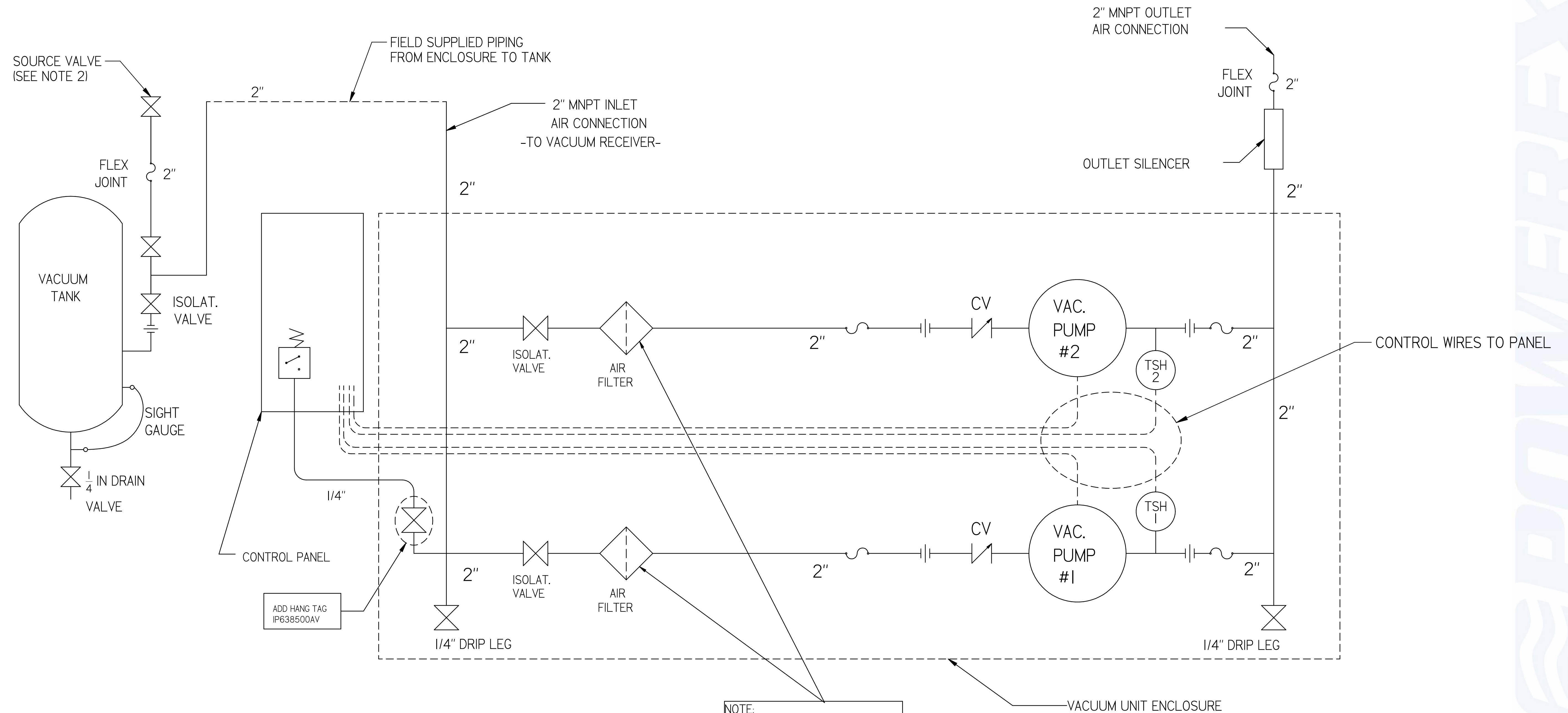
SYMBOL LEGEND		DRAWINGS TO CONFORM TO CURRENT REVISION OF THE FOLLOWING ANSI STANDARDS:		
		Y14.3 MULTI AND SECTIONAL VIEW DIMS	Y14.5 DIMENSIONING AND TOLERANCING	
TOLERANCES NOT SPECIFIED	SOLID EDGE DRAWING	DO NOT SCALE DRAWING FOR DIMENSIONS		
0.XXX ± .05	INCH	SHEET 1 OF 2	SCALE 1:10	
0.XXX ± .005				
<small>CONFIDENTIAL DISCLOSURE</small> This drawing is the property of POWEREX of the SCOTT FETTER COMPANY and is subject to return on demand. Its contents are confidential and must not be copied or submitted to outside parties for use or examination.		AUTHOR	ORIGINATION DATE	APPROVALS ON FILE IN PLM
TITLE: 717774 MATERIAL: SEE COMPONENT DRAWINGS DESCRIPTION: MEDICAL 7.5 HP DUPLEX VANE VACUUM ENCLOSURE 120G TANK		ASoulek	2/6/2019	
DRAWING NUMBER		REVISION	SIZE	
MVED0754		B	D	

POWEREX

# MVED0754

MEDICAL 7.5 HP DUPLEX  
VANE VACUUM ENCLOSURE  
120G TANK

REVISION NOTES		
DESCRIPTION	ECN	PR/NOR
PRODUCTION RELEASE	PXEC0099	N/A



NOTE:  
A 1/4 INCH VENT PLUG IS LOCATED  
IN EACH FILTER HOUSING.

LEGEND	
TSH	TEMP. SWITCH
	AIR FILTER
	BALL VALVE
	VACUUM TRANSDUCER
	CHECK VALVE
	FLEX LINE
	UNION

- NOTES:
- 1) TSH - TEMPERATURE SWITCH HIGH
  - 2) PER NFPA THE SYSTEM WILL REQUIRE A SOURCE VALVE (SUPPLIED BY OTHERS).
  - 3) OUTLET SILENCER AND FLEX HOSES SHIP LOOSE FOR FIELD INSTALLATION.

SYMBOL LEGEND		DRAWINGS TO CONFORM TO CURRENT REVISION OF THE FOLLOWING ANSI STANDARDS: Y14.3 MULTI AND SECTIONAL VIEW DWGS Y14.5 DIMENSIONING AND TOLERANCING	
TOLERANCES NOT SPECIFIED	SOLID EDGE DRAWING	DO NOT SCALE DRAWING FOR DIMENSIONS	
0.001 ± .005	INCH	SHEET 2 OF 2	SCALE 1:1
0.002 ± .005		APPROVALS ON FILE IN PLM	
<small>CONFIDENTIAL DISCLOSURE</small> This drawing is the property of POMEREX or the SCOTT FETTER COMPANY and is subject to return on demand. Its contents are confidential and must not be copied or submitted to outside parties for use or examination.		A Soulek	2/6/2019
TITLE: 71774 MATERIAL: SEE COMPONENT DRAWINGS		 150 PRODUCTION DRIVE, HARRISON OH 45030 (888) 768-7079	
DESCRIPTION: MEDICAL 7.5 HP DUPLEX VANE VACUUM ENCLOSURE 120G TANK	DRAWING NUMBER: MVED0754	REVISION: B	SIZE: D