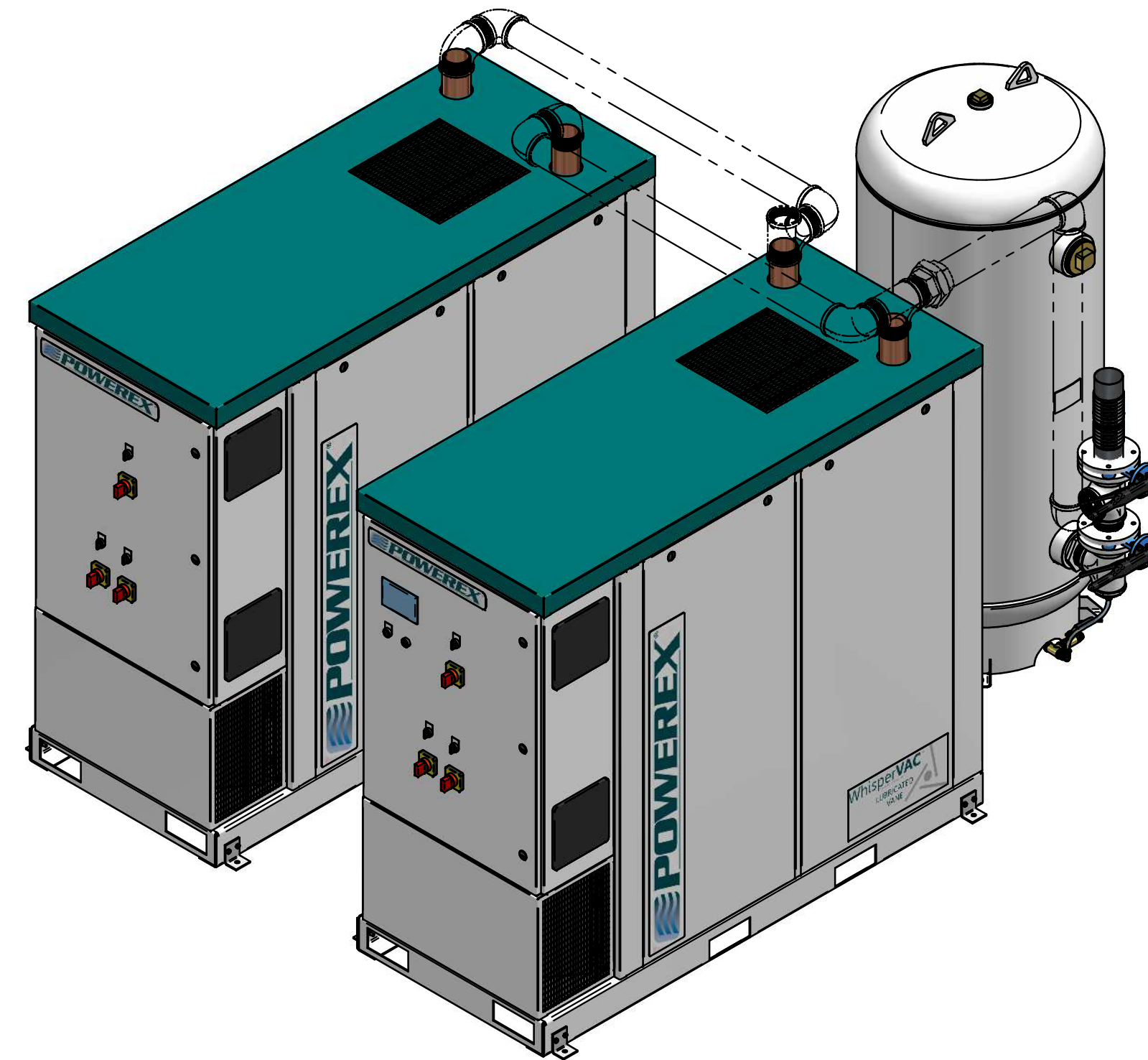


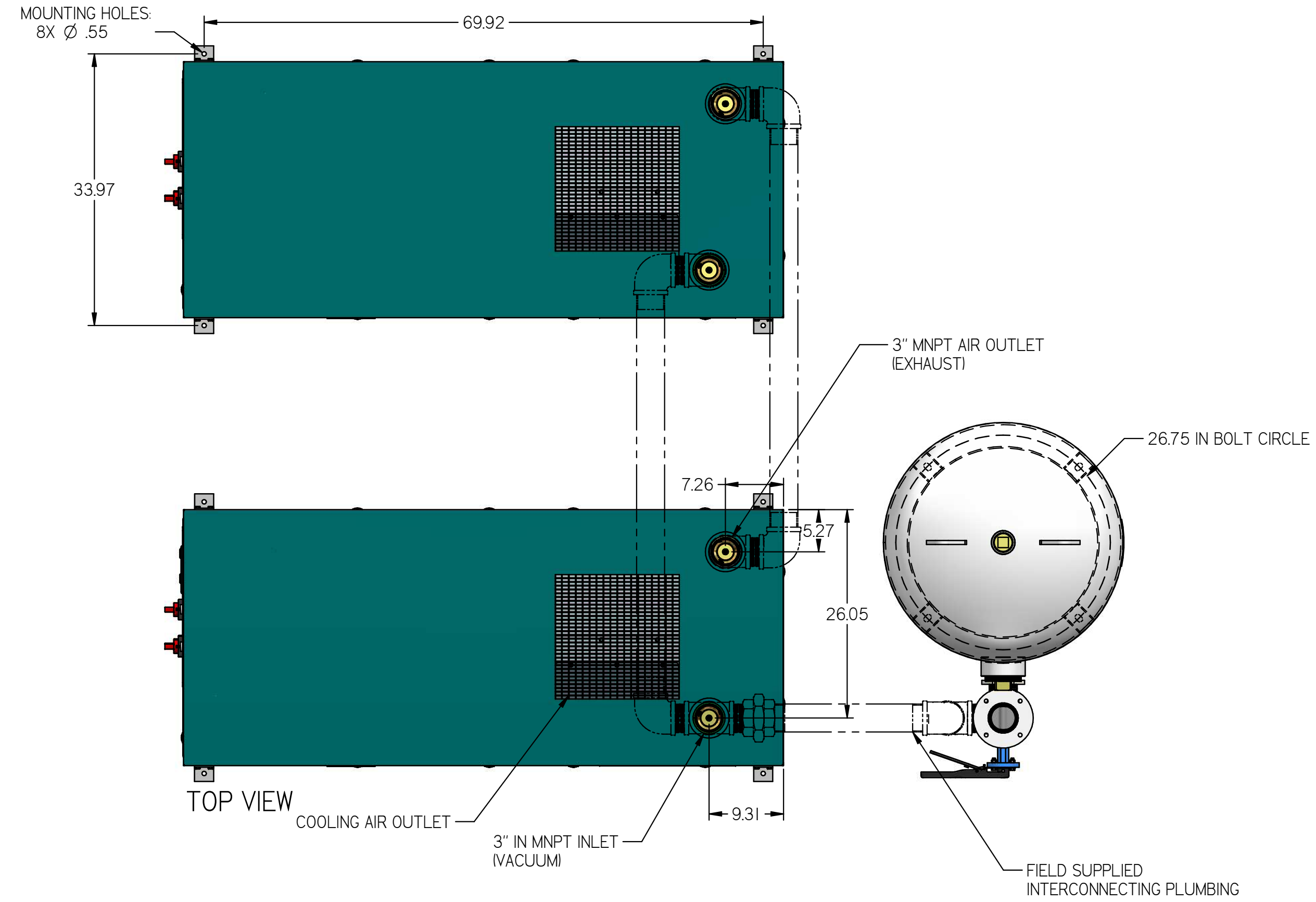
MVET0755-EX4

MEDICAL 7.5HP TRIPLEX EXP
TO QUAD VANE VACUUM
ENCLOSURE 200G TANK

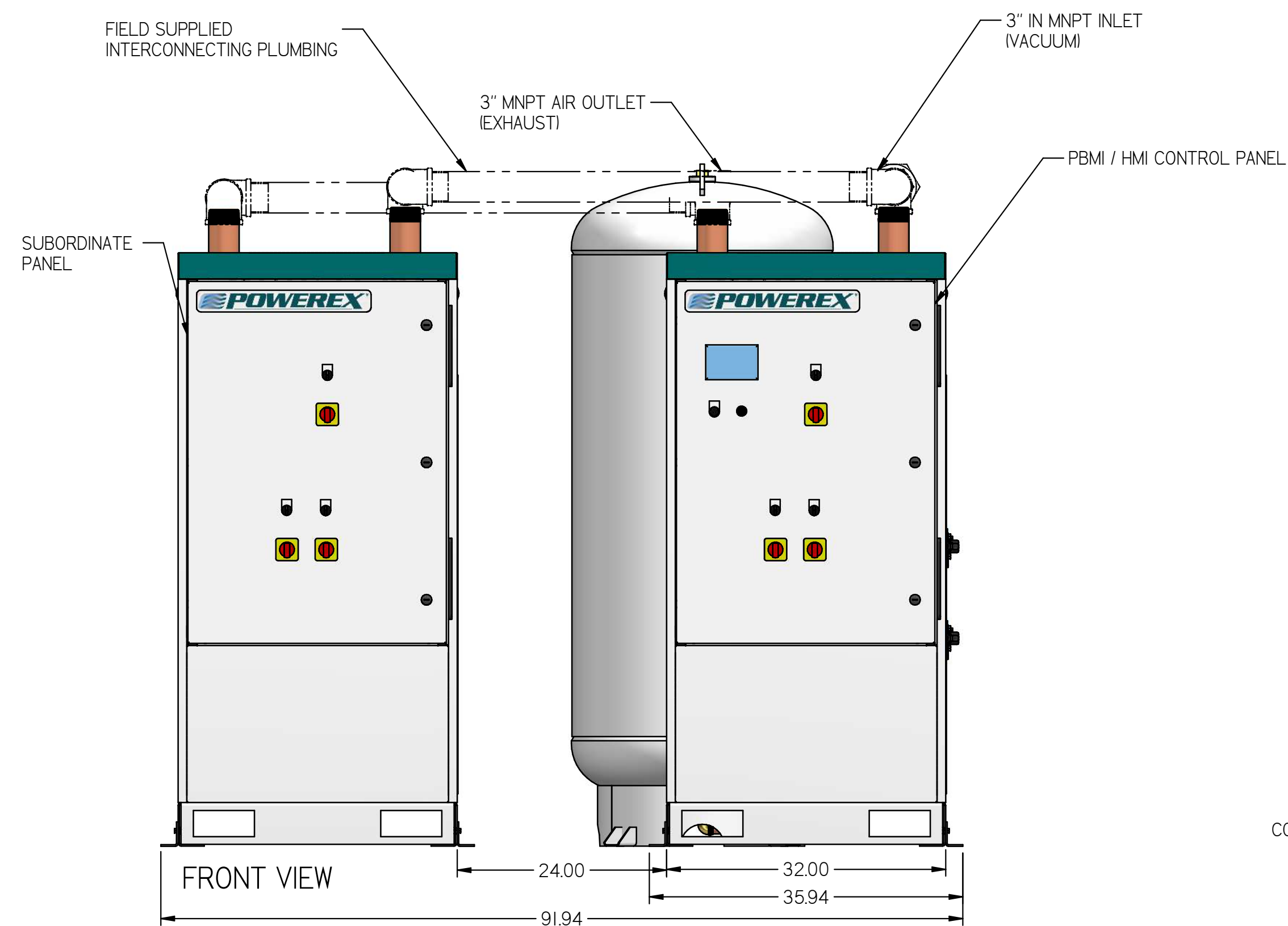
REVISION NOTES		
DESCRIPTION	ECN	PR/NOR
PRODUCTION RELEASE	PXEC0099	N/A



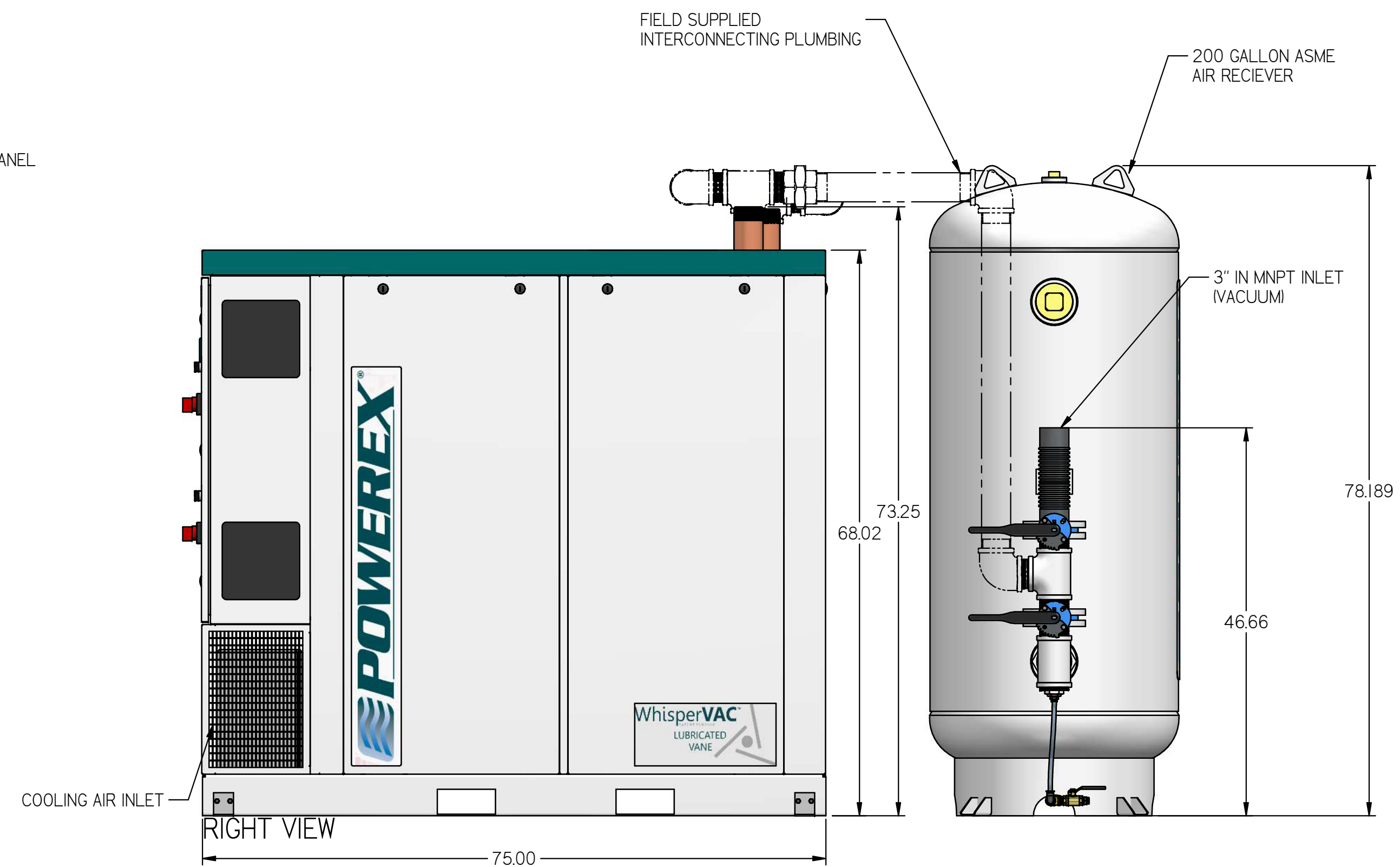
ISO VIEW



TOP VIEW



FRONT VIEW



RIGHT VIEW

- NOTES:
 1. APPROX SYSTEM WEIGHT: 4052 LB
 2. 24" MINIMUM MAINTENANCE CLEARANCE RECOMMENDED ALL SIDES. CLEARANCE FOR CONTROL PANELS SHALL BE IN ACCORDANCE WITH OSHA/NEC REQUIREMENTS

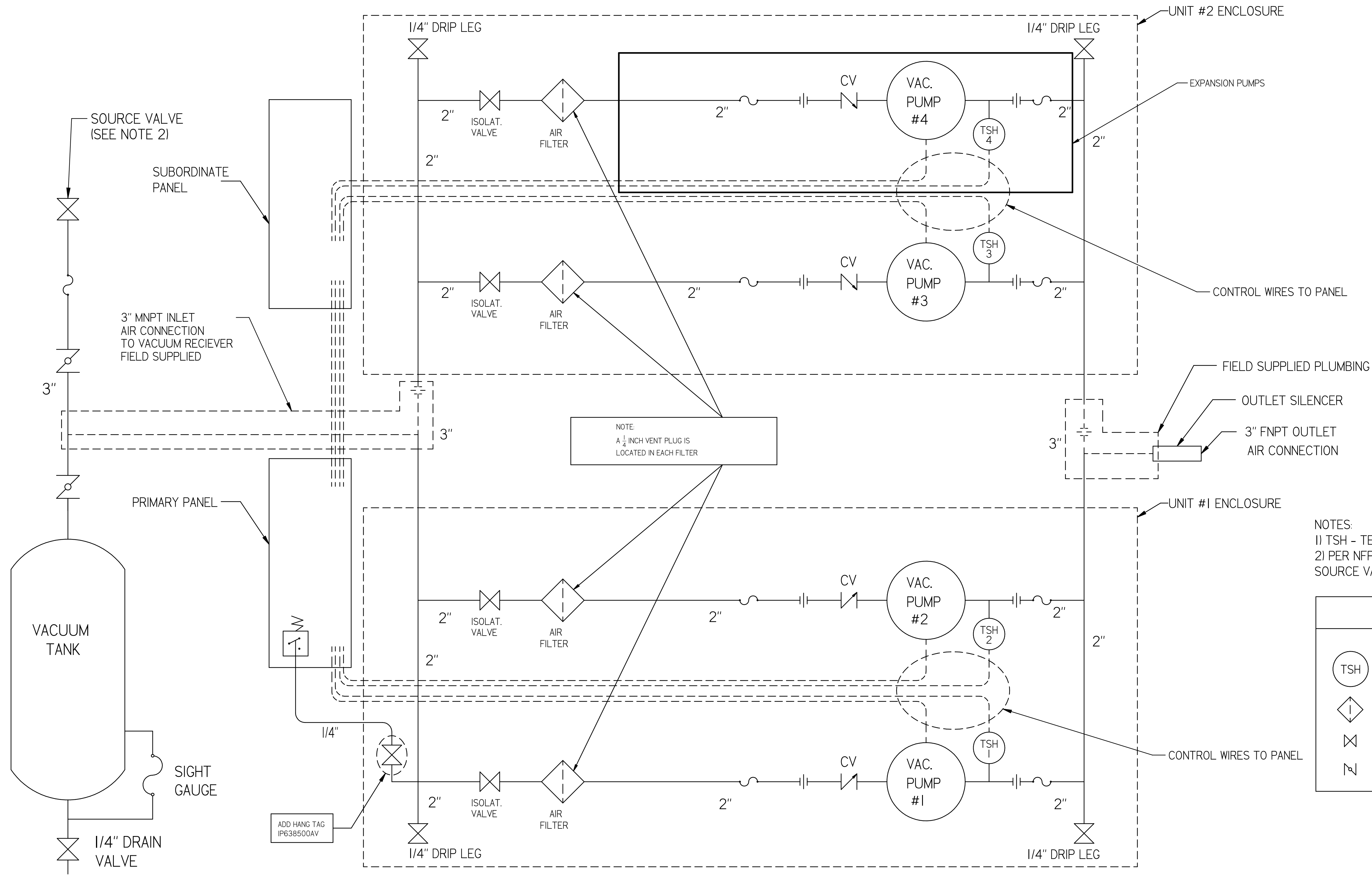
SYMBOL LEGEND		DRAWINGS TO CONFORM TO CURRENT REVISION OF THE FOLLOWING ANSI STANDARDS:	
TOLERANCES NOT SPECIFIED	SOLID EDGE DRAWING	Y14.3 MULTI AND SECTIONAL VIEW DIMS	DO NOT SCALE DRAWING FOR DIMENSIONS
0.XXX ± .05	INCH	Y14.5 DIMENSIONING AND TOLERANCING	SHEET 1 OF 2
0.XXX ± .005		SCALE	
<small>CONFIDENTIAL DISCLOSURE</small> <small>This drawing is the property of POWEREX of the SCOTT FETTER COMPANY and is subject to return on demand. Its contents are confidential and must not be copied or submitted to outside parties for use or examination.</small>		AUTHOR	APPROVALS ON FILE IN PLM
<small>CONFIDENTIAL DISCLOSURE</small> <small>This drawing is the property of POWEREX of the SCOTT FETTER COMPANY and is subject to return on demand. Its contents are confidential and must not be copied or submitted to outside parties for use or examination.</small>		ASoulek	2/5/2019
<small>CONFIDENTIAL DISCLOSURE</small> <small>This drawing is the property of POWEREX of the SCOTT FETTER COMPANY and is subject to return on demand. Its contents are confidential and must not be copied or submitted to outside parties for use or examination.</small>			
<small>CONFIDENTIAL DISCLOSURE</small> <small>This drawing is the property of POWEREX of the SCOTT FETTER COMPANY and is subject to return on demand. Its contents are confidential and must not be copied or submitted to outside parties for use or examination.</small>		<small>150 PRODUCTION DRIVE, HARRISON OH 45030</small> <small>ISS: 7/28-7/29</small>	<small>REVISION</small> B
<small>CONFIDENTIAL DISCLOSURE</small> <small>This drawing is the property of POWEREX of the SCOTT FETTER COMPANY and is subject to return on demand. Its contents are confidential and must not be copied or submitted to outside parties for use or examination.</small>		DRAWING NUMBER MVET0755-EX4	<small>SIZE</small> D
<small>CONFIDENTIAL DISCLOSURE</small> <small>This drawing is the property of POWEREX of the SCOTT FETTER COMPANY and is subject to return on demand. Its contents are confidential and must not be copied or submitted to outside parties for use or examination.</small>		DESCRIPTION MEDICAL 7.5HP TRIPLEX EXP TO QUAD VANE VACUUM ENCLOSURE 200G TANK	

MVET0755-EX4

MEDICAL 7.5HP TRIPLEX EXP
TO QUAD VANE VACUUM
ENCLOSURE 200G TANK

REVISION NOTES

DESCRIPTION	ECN	PR/NOR
PRODUCTION RELEASE	PXEC0099	N/A



- NOTES:
1) TSH - TEMPERATURE SWITCH HIGH
2) PER NFPA THE SYSTEM WILL REQUIRE A
SOURCE VALVE (SUPPLIED BY OTHERS).

LEGEND	
TSH	TEMP. SWITCH
	AIR FILTER
	BALL VALVE
	BUTTERFLY BALL VALVE
	VACUUM TRANSDUCER
	CHECK VALVE
	FLEX LINE
	UNION

SYMBOL LEGEND		DRAWINGS TO CONFORM TO CURRENT REVISION OF THE FOLLOWING ANSI STANDARDS: #14.3 MULTI AND SECTIONAL VIEW DIMS #14.5 DIMENSIONING AND TOLERANCING	
TOLERANCES NOT SPECIFIED: 0.0XX ± .05 0.00XX ± .005	SOLID EDGE DRAWING INCH	DO NOT SCALE DRAWING FOR DIMENSIONS	
CONFIDENTIAL DISCLOSURE This drawing is the property of POWEREX or the SCOTT FETTER COMPANY and is subject to return on demand. Its contents are confidential and must not be copied or submitted to outside parties for use or examination.		AUTHOR: ASoulek	APPROVALS ON FILE IN PLM
ITEM NO: 717826	MATERIAL: SEE COMPONENT DRAWINGS	ORIGINATION DATE: 2/5/2019	SCALE: 1:1
DESCRIPTION: MEDICAL 7.5HP TRIPLEX EXP TO QUAD VANE VACUUM ENCLOSURE 200G TANK		DRAWING NUMBER: MVET0755-EX4	REVISION: B
		SIZE: D	