

Submittal Data Sheet

Features

The EOI-series Powerex Emergency Inlet Box provides an inlet for connection a temporary auxiliary source of oxygen to the oxygen pipeline system for emergency or maintenance situations as recommended by NFPA 99.

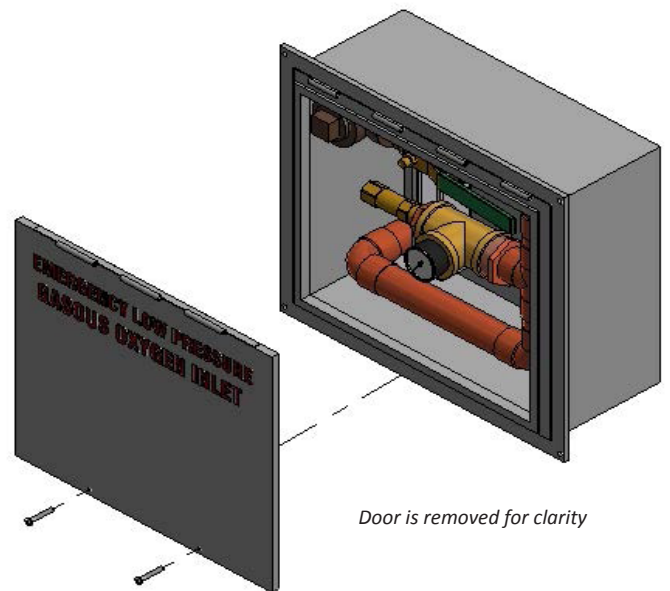
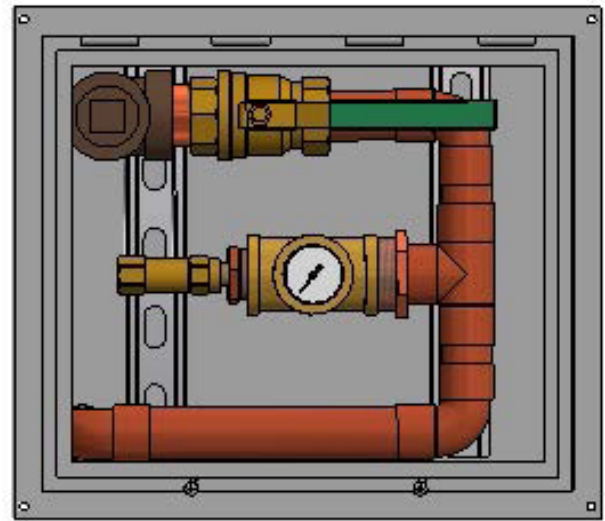
- Made in the U.S.A.
- Designed in accordance with NFPA 99.
- Rugged powder coated steel NEMA 4 weather-tight enclosure with screws to prevent tampering or unauthorized access
- NPTF oxygen inlet – supports high flow requirements
- Entire assembly is cleaned for oxygen service and capped.
- Available with back outlet connection only
- Includes 75 psig safety relief valve.

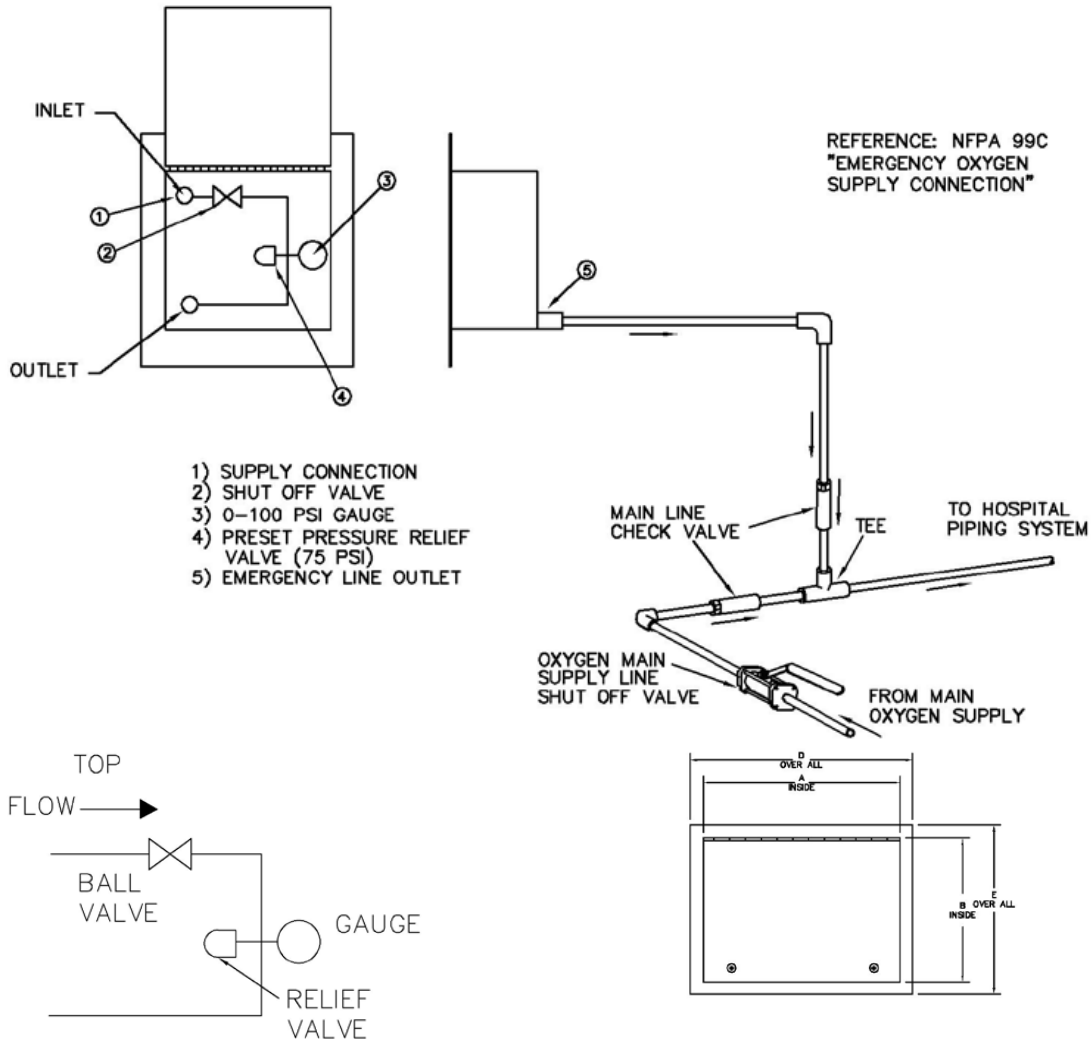
Specification

The Emergency Oxygen Inlet Box shall be Powerex Emergency Oxygen Inlet Box. The Emergency Inlet Box shall provide an inlet for connection a temporary auxiliary source of oxygen to the oxygen pipeline system for emergency or maintenance situations as recommended by NFPA 99.

The Emergency Inlet Box shall consist of a ball valve, pressure gauge and a NPTF (plugged) connection housed in a tamper resistant, weather tight, maintenance free, powder coated steel enclosure. The enclosure shall be labeled “Emergency Low Pressure Gaseous Oxygen Inlet,” included are two screws to prevent tampering or unauthorized access. The Emergency Inlet Box should be connected at a point downstream of the main supply line shutoff valve.

A 75 psig relief valve shall be included in the Emergency Inlet Box as recommended by NFPA 99. The relief valve shall have a brass body, single seat design, and be cleaned for oxygen. The relief valve automatically opens to ‘relieve’ or vent pressures greater than 75 psig to atmosphere and will automatically reseal to provide a bubble tight seal after the pressure drops below 75 psig.





VALVE SIZE	INSIDE BOX			OVER ALL		
	A	B	C	D	E	F
1"	16"	12"	6"	17 1/2"	13 1/2"	6 1/4"
1 1/4"	20"	16"	6"	21 1/2"	17 1/2"	6 1/4"
1 1/2"	24"	20"	6"	25 5/8"	21 5/8"	7"

Ordering Information

Part #	Description
EOIR-100-Back	1" Emergency Oxygen Inlet Box with back outlet connection, with internal 1" ball valve, gauge and 75 psi relief valve in a weather tight enclosure
EOIR-125-Back	1 1/4" Emergency Oxygen Inlet Box with back outlet connection, with internal 1 1/4" ball valve, gauge and 75 psi relief valve in a weather tight enclosure
EOIR-150-Back	1 1/2" Emergency Oxygen Inlet Box with back outlet connection, with internal 1 1/2" ball valve, gauge and 75 psi relief valve in a weather tight enclosure
EOIR-200-Back	2" Emergency Oxygen Inlet Box with back outlet connection, with internal 2" ball valve, gauge and 75 psi relief valve in a weather tight enclosure
EOIR-200-Back	2 1/2" Emergency Oxygen Inlet Box with back outlet connection, with internal 2 1/2" ball valve, gauge and 75 psi relief valve in a weather tight enclosure