

Submittal Data Sheet

Features

- Meets NFPA 99 requirements
- Valves may be piped left to right or right to left
- All valves are dual gauge port full port ball valves
- 3 piece in-line repairable valve
- Adjustable packing with blow-out proof stem design
- Accommodate 2-1/2" valve or 3" valve
- Valve has a working pressure of 600 psi (29 in/Hg vacuum)
- Valve cleaned for Oxygen service
- Plastic insulators to protect from galvanic corrosion
- Full color coded labeling
- Provided with 1 1/2" diameter gauges.

Specification

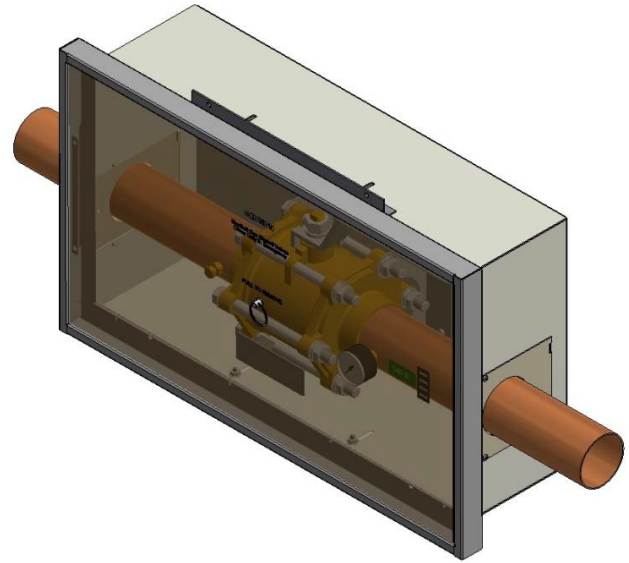
All zone valve boxes shall be the Powerex SV series and must be installed and tested in strict accordance with NFPA 99 standards and or any other local codes before use.

Valves – The valves shall be dual gauge port cast bronze, ball-type, with Teflon (TFE) seats and seals. Valve shall be rated at a working pressure of 600 psi (29 in/Hg vacuum) and shall be operated by a lever-type handle, requiring only a quarter turn from a fully open position to a fully closed position. Valve shall incorporate an adjustable packing and a blow-out proof stem. Only full port valves having flow rates comparable to equivalent size of pipe shall be used. Valve shall be able to be piped from left to right or right to left.

Valve shall be provided with type K copper tubing extensions to facilitate installation. Valve shall be 3 piece in-line repairable type. Valve assembly shall be supplied cleaned for oxygen service in accordance with current CGA standards. The valve tube ends shall be capped and sealed in a protective container to prevent contamination prior to installation.

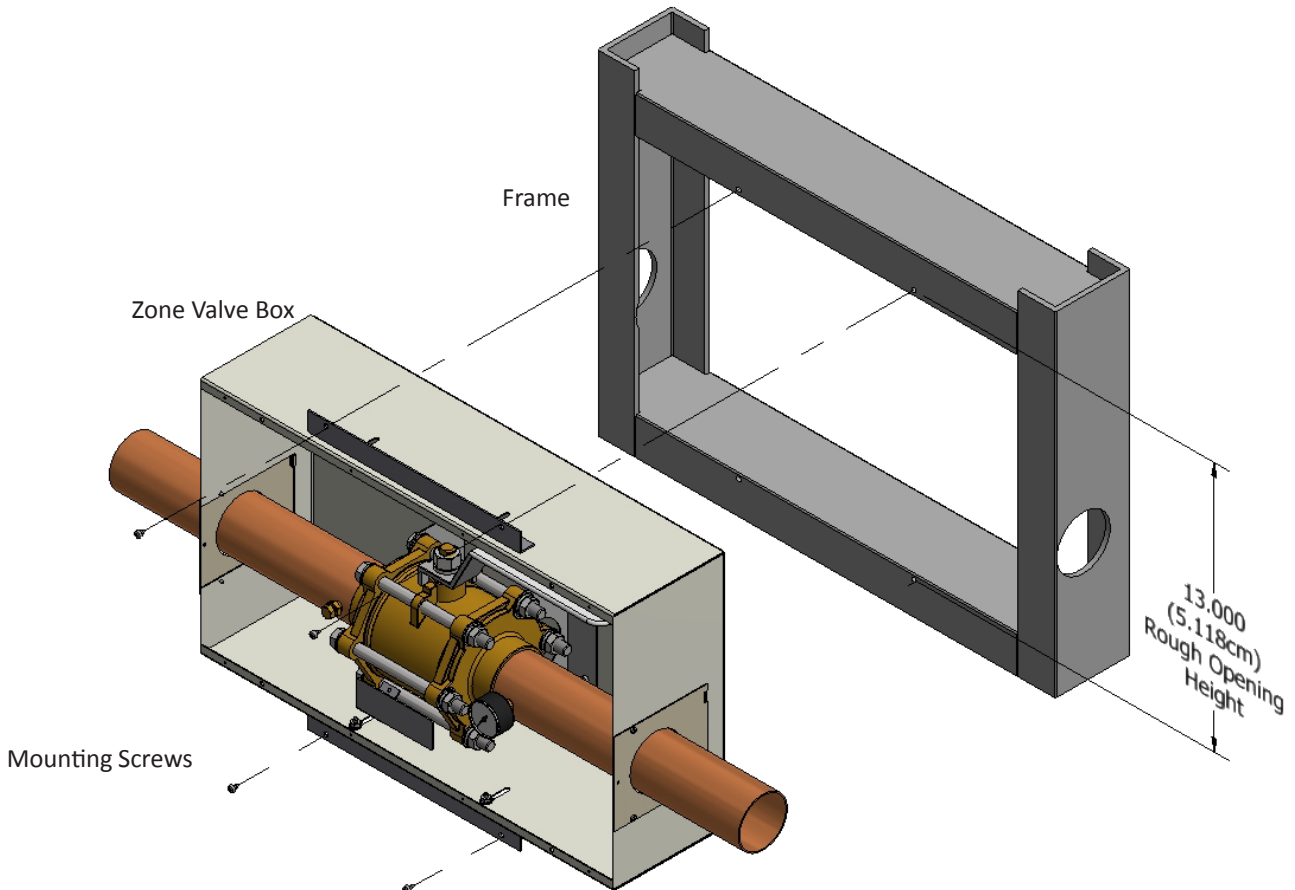
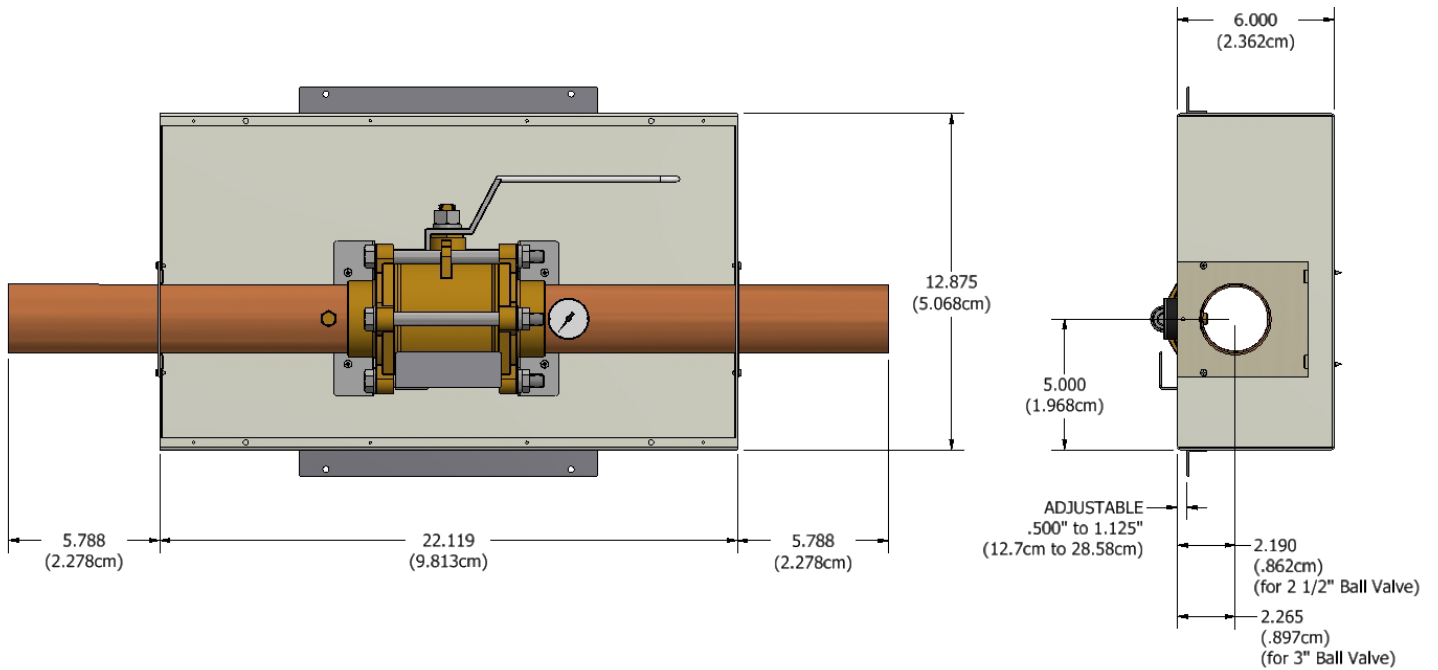
Gauge shall be 1 1/2" diameter for monitoring pressure and vacuum, and shall state: "USE NO OIL". Dual scale gauges are not acceptable for U.S.A. installations.

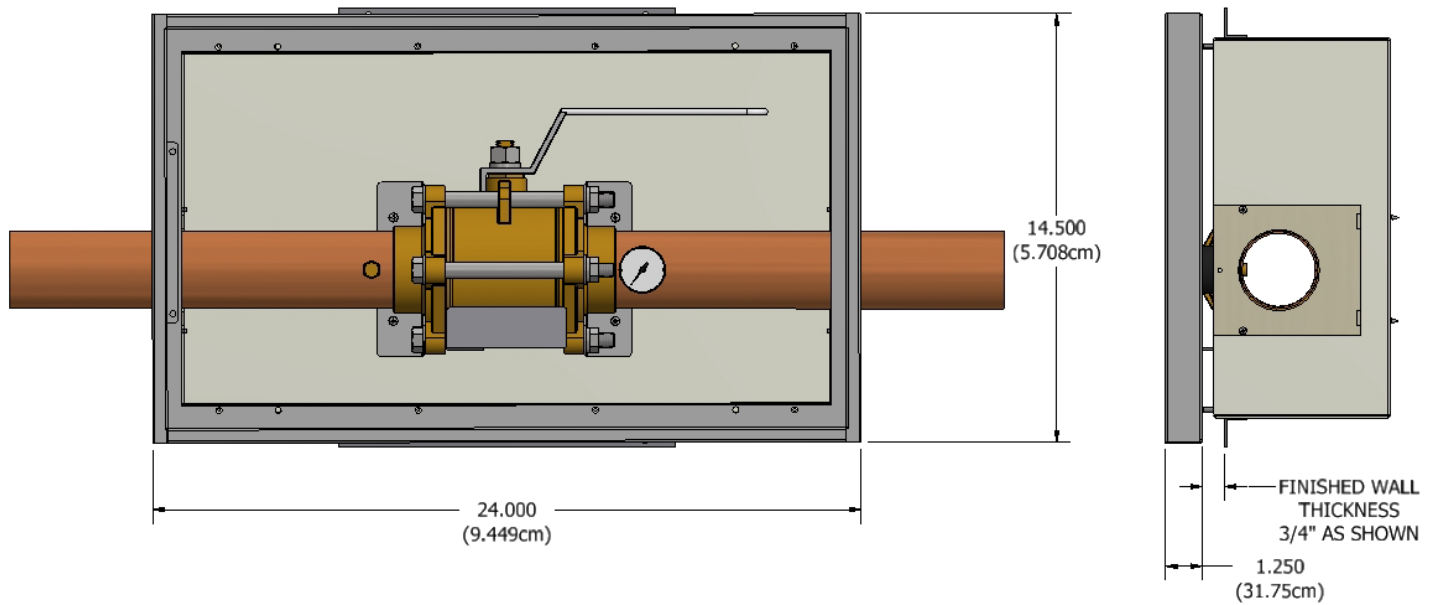
Box – The valve box shall be 16 gauge sheet steel construction painted to prevent rust. A single box shall house one valve. Box shall be supplied with an adjustable plaster flange 1/2" to 1-1/8" for easy mounting. Requires 6" wall stud framing.



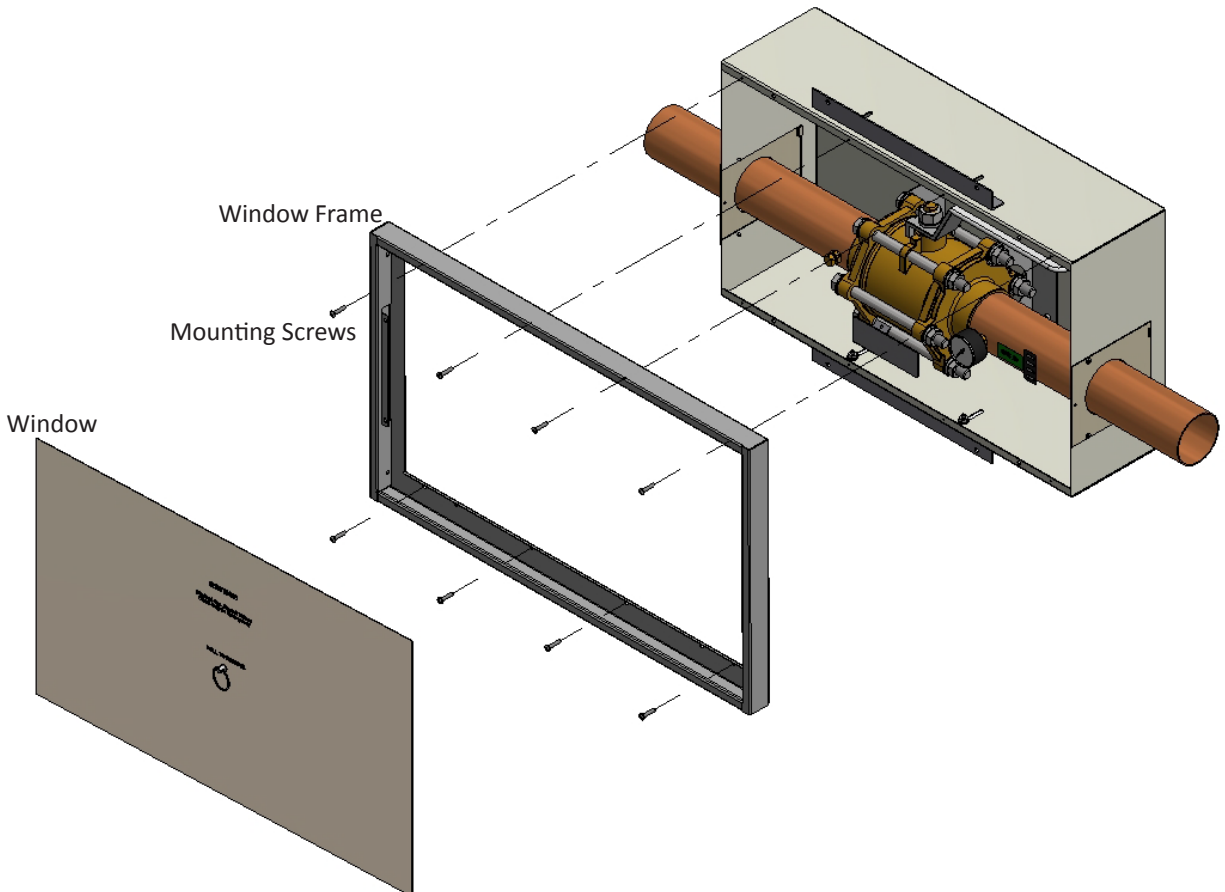
Shown above PX-SVU18V-06 valve box with gauge 2 1/2" Medical Vacuum

Window – Valve box assembly shall be supplied with a formed steel decorative frame painted white which encloses an easily removable flexible window. The window shall be a "smoked" translucent flexible plastic with a pull-out ring pre-mounted to the center of the window. The window shall not be replaceable while any valve is in a closed position. Window shall be silk screened with the following statement "CAUTION: MEDICAL GAS SHUTOFF VALVES. CLOSE ONLY IN EMERGENCY."





WINDOW FRAME

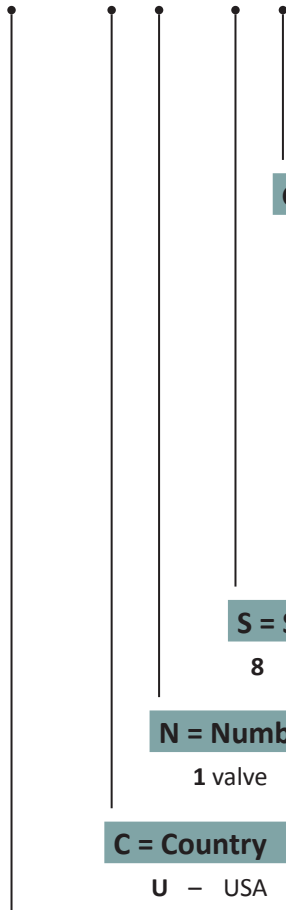


Ordering Information

Easy to use modular ordering system.

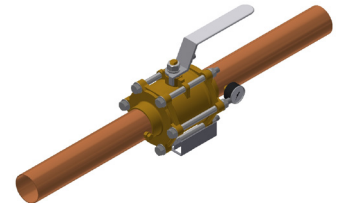
Fill in the blanks to specify the Zone Valve Box that meets your needs.

Model Numbering:



G = Gas Service

- | | |
|--|---------------------------|
| A = Medical Air | L = Helium |
| B = Blank Slot | N = Nitrous Oxide |
| C = Carbon Dioxide 50psi | O = Oxygen |
| D = Carbon Dioxide 80psi | R = Tri-Gas |
| F = Future Gas Module | T = Nitrogen |
| H = Hyperbaric Oxygen | V = Medical Vacuum |
| I = Instrument Air | W = WAGD/EVAC |
| J = CO ₂ -O ₂ Mixtures
CO ₂ over 7% DISS 1080 | |
| K = He-O ₂ Mixtures
He over 80% DISS 1080 | |



2 1/2" Ball Valve with gauge on the right side

S = Size of Valve

- 8** - 2 1/2" valve **9** - 3" valve

N = Number of Valves

- 1** valve

C = Country

- U** - USA **C** - Canada

SV = Valve Box

- SV** - Type of Valve Box

Part No. Examples

PX-SVU18V-06 = 1 gas valve box and gauges on right side only of valve with 2 1/2" valve with U.S. labels.