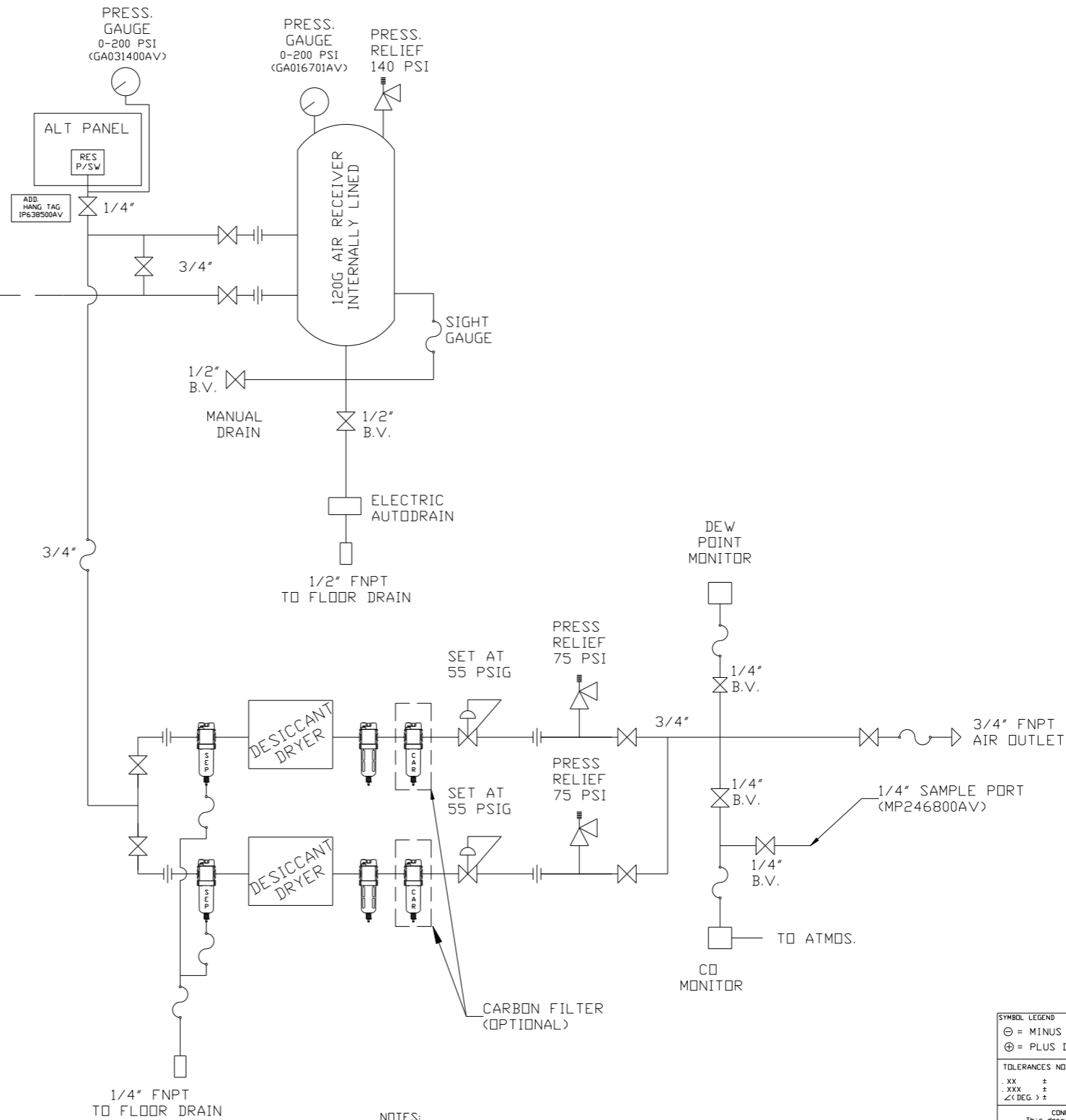
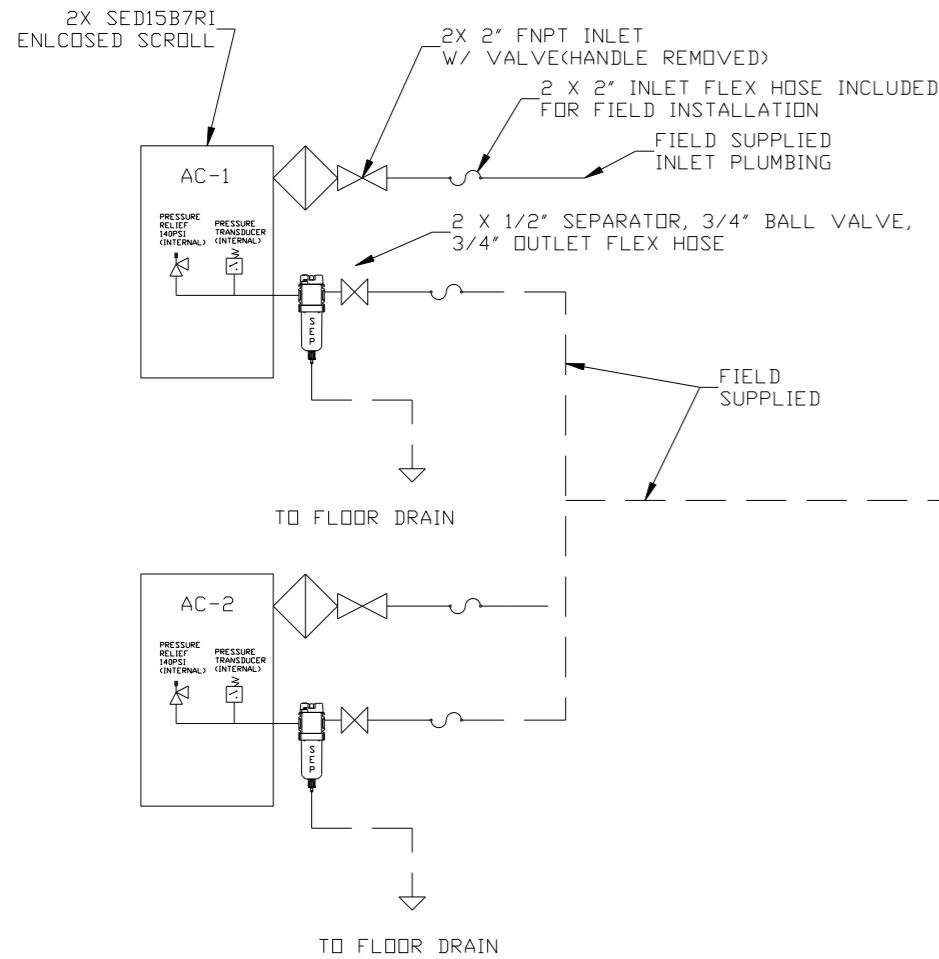


REV	ZONE	REVISION	DATE	ECN	NAME	CHKD
B-1	ALL	RELEASE TO PRODUCTION	12/8/16	PXECO180	RK	JA
B-2	ALL	ADDED SEP, CORR ALT PNL, CORR NOTES, CORRECTED FLOW	1/23/17	PXECO180	GES	JA



LEGEND

	INTAKE FILTER		REGULATOR
	AIR FILTER		CHECK VALVE
	BALL VALVE		SEPERATOR
	CARBON FILTER		FLEX JOINT
	DIVERTER VALVE		UNION

- NOTES:
- 1.) SHEET 1, UNIT LAYOUT.
 - 2.) SHEET 2, UNIT FLOW SCHEMATIC.
 - 3.) INLET CONNECTIONS: 2" FNPT X 2.
 - 4.) SYSTEM OUTLET CONNECTION: 3/4" FNPT X 1.
 - 5.) POWER CONNECTION EACH ENCLOSURE: 1-230, OR 460 VOLT, ALTERNATION PANEL: 115V
 - 6.) WHEN PACKAGE IS INSTALLED INTO THE FACILITY, MAKE SURE THAT THE INSTALLER REFERENCES TABLE 110.26 (A) (1) FOR MINIMUM WORKING AREA.
 - 7.) DIRECTION OF INTAKE CONNECTIONS MAY BE MODIFIED AT INSTALLATION BY ADJUSTING PIPE THREAD CONNECTIONS.

SYMBOL LEGEND			= ADDITIONAL CONTROL REQ'D	Drawings to conform to the current revision of the following ANSI standards:	
	= MINUS DRAFT		= BRINELL HARDNESS	Y14.3 Multi and sectional view dgs. Y14.5M Dimensioning and tolerancing	
TOLERANCES NOT SPECIFIED		AUTOCAD REL2008 LT	DO NOT SCALE DRAWING FOR DIMENSIONS		SCALE 1:18
.XX ±		INCH	Sheet 2 of 2		
.XXX ±					
<4 DEG ±					
CONFIDENTIAL DISCLOSURE		This drawing is the property of the POWEREX, INC. of the SCOTT FEITZER COMPANY and subject to return on demand. Its contents are confidential and must not be copied or submitted to outside parties for use or examination.			
DRAWN BY		CHECKED BY	APPROVED BY	MFG/MKTG	
RK		JA	JA	CT	
12/8/16		12/8/16	12/8/16	12/8/16	
MATERIAL		N/A			
PART NAME		ENCLOSED SCROLL		SIZE	
FLOW SCHEMATIC		MSED15B4		D	